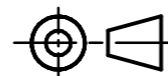
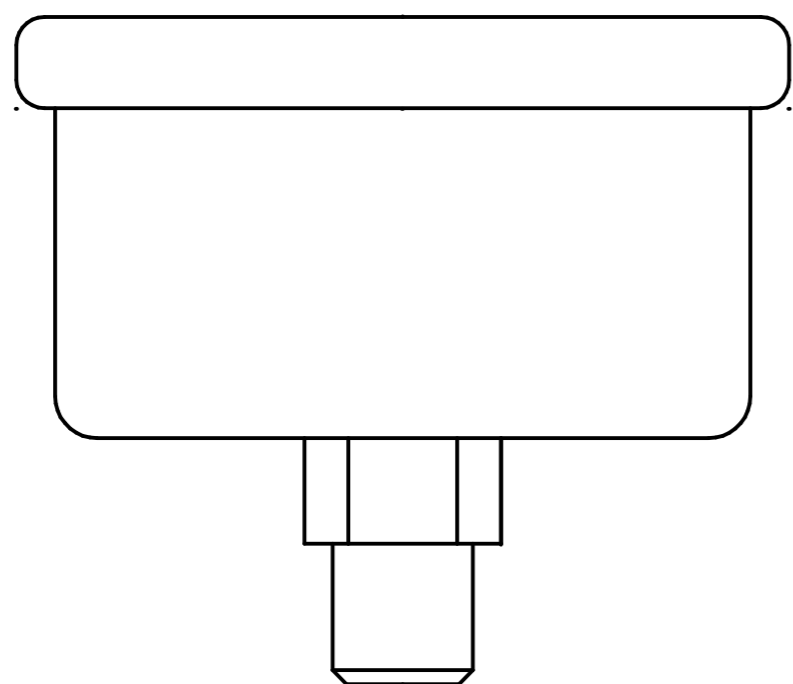
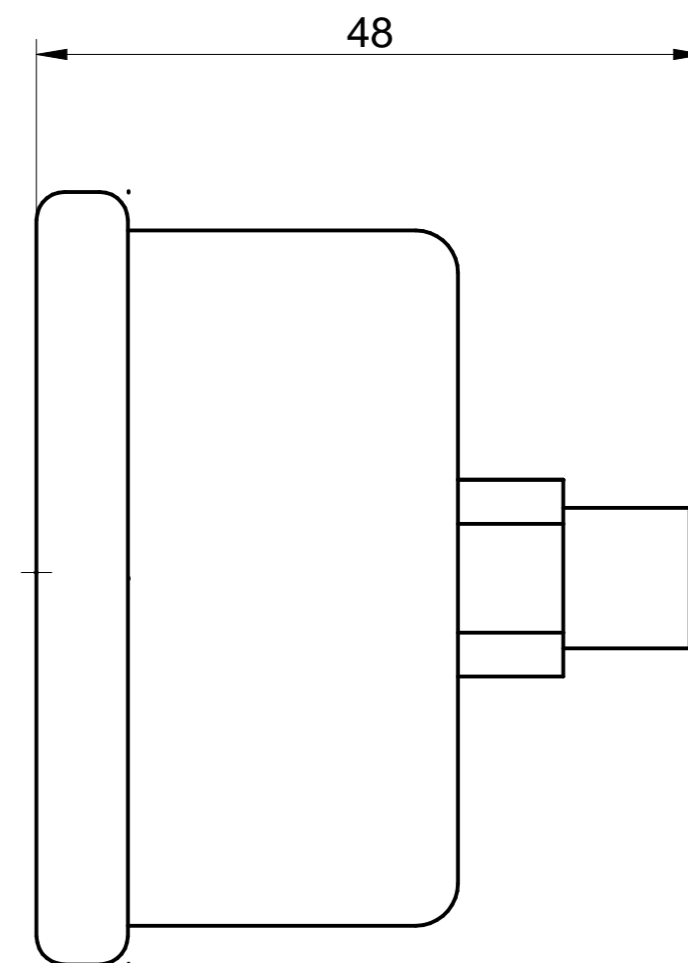
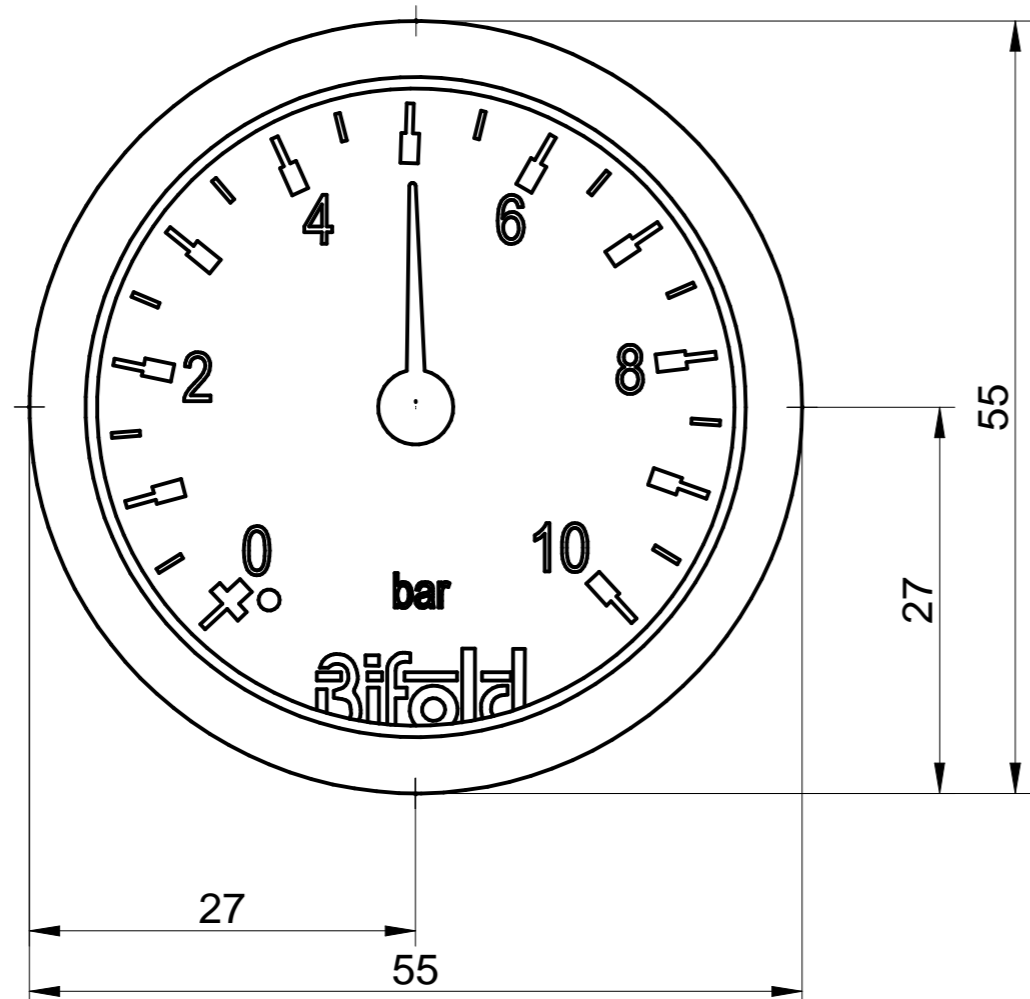


DO NOT SCALE

THIRD ANGLE PROJECTION



DIMENSIONS IN MILLIMETRES



SCHEMATIC



0	09.10.14	CONF		PRODUCTION ISSUE
REV	DATE	DRAWN	CHKD	REVISION

NOTES :

1.) O-RING MATERIAL CODE 'X' S = NITRILE
V = VITON
AL = FLUOROSILICONE
AG = SILICONE

2.) ALL DIMENSIONS NOMINAL UNLESS OTHERWISE STATED.

	VALVE TYPES/USED ON			

Bifold [®]		Bifold Fluidpower Limited <small>Bifold Group, Oldham Broadway Business Park, Chadderton, Gr. Manchester OL9 9XA Telephone (44) 0161 345 4777 Fax (44) 0161 345 4780</small>			
PROJECT TITLE X8-X			PROJECT No.		
DRAWING TITLE GENERAL INSTALLATION			DRAWING No. 0-IN0887	REV. 0	
DRAWN CONF	DATE 09.10.14	CHECKED	DATE	APPROVED	DATE
Copyright © 2000 BIFOLD FLUIDPOWER LTD.		All Rights Reserved		C.A.D. Produced Drawing DO NOT Change By Hand	