



# LIGHTING

## TEF 9964 XENON HELIDECK FLOODLIGHT INDUSTRY

### SAFE AREA

## USER MANUAL

Subject to change without prior notice TUM1024 REV.L 26.01.2022



### IMPORTANT

Read this instruction carefully before installing the product



R. Stahl Tranberg AS

E [info@stahl-tranberg.com](mailto:info@stahl-tranberg.com) | [stahl-tranberg.com](http://stahl-tranberg.com)

Main office: Strandsvingen 6 | N-4032 Stavanger | Norway | T +47 51 57 89 00 | F +47 51 57 89 50

Office Oslo: Luhrtoppen 2 | N-1470 Lørenskog | Norway | T +47 24 08 44 10

## INTRODUCTION

Thank you for purchasing this product!  
For installation, maintenance and assurance of a long life of this product, please follow this manual.

## APPLICATIONS

- Floodlighting of helicopter landing areas
- For use safe area
- Floodlighting

## CONTENT IN BOX

The product is fully assembled, and ready for installation.

## SAFETY PRECAUTIONS

Note that changes made to the product and/or installation of components which do not conform to the approval, may be a safety violation. The manufacturer will in no circumstance be held responsible for such activity.

For your health and safety, always use safety gear suited for the task. Be certain to follow codes, regulations and/or specific procedures that are related to the installation.

## TOOLS REQUIRED

Regular tools required for installation:

- 17 mm wrench –for assembling the floodlight.
- 13 mm wrench –for adjusting the angle of the light.
- 8 mm flat screwdriver –for open/closing the cover of the junction box.
- 3 mm flat screwdriver –for installing the cable in the terminal block.
- 5,5 mm flat screwdriver –for removing the lamp insert.
- 32 mm wrench -to assembly the cable gland
- 30 mm wrench -to tighten the lock nut and the pressure nut

## MAINTENANCE INSTRUCTIONS

The luminaire should be inspected according to Company routines. The manufacturer suggests regular check for water intrusion/condensation which should be removed immediately. Check the drain plug / drain hole function.

When cleaning, use only mild detergents. Alcohol or petroleum based products may damage lens, paint or plastic components.

## RUBBER SEAL

Cable diameter	Size rubber seal	Part No. Cable gland kit
11,0 - 15,0 mm	Ø26/15,0x10mm	622 2502
15,0 - 20,1mm	Ø26/20,3x10mm	622 2502

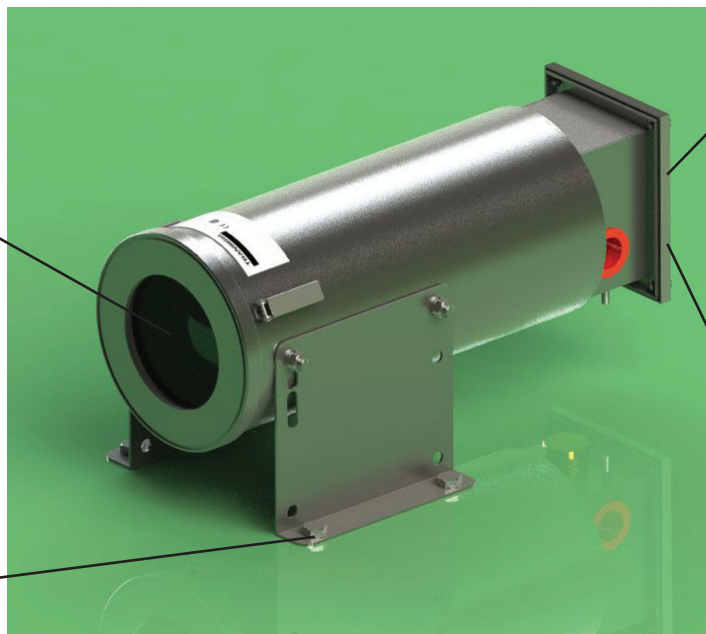
Be sure to install the cable in a way wich prevents water to penetrate into the enclosure through the cable gland, also make sure to use the correct rubber seal when you install the luminaire

## INSTALLATION INSTRUCTIONS

The floodlight should be installed according to the calculated light distribution plan.

1. The glass in front should face the centre at the helideck, unless stated otherwise.

2. Secure the floodlight to the helideck by means of four M10 bolts.

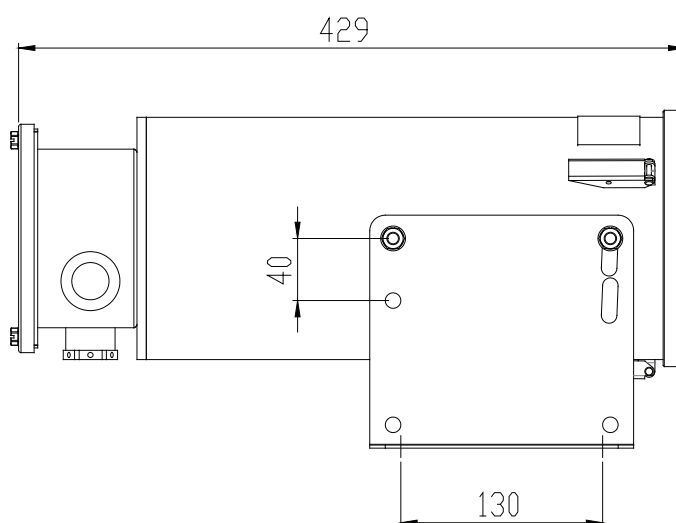
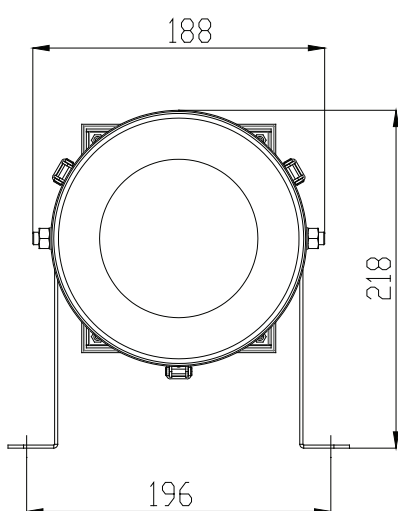


3. Open the enclosure cover on rear. Replace cable gland gaskets as required to match the cable diameter. Unused cable glands should always be replaced with a blind plug.

4. Connect cables and replace the enclosure cover.

5. Luminaire housing shall be connected to earth potential by groundwire of min. crosssection  $2,5\text{mm}^2 / 14\text{AWG}$

## DIMENSIONS



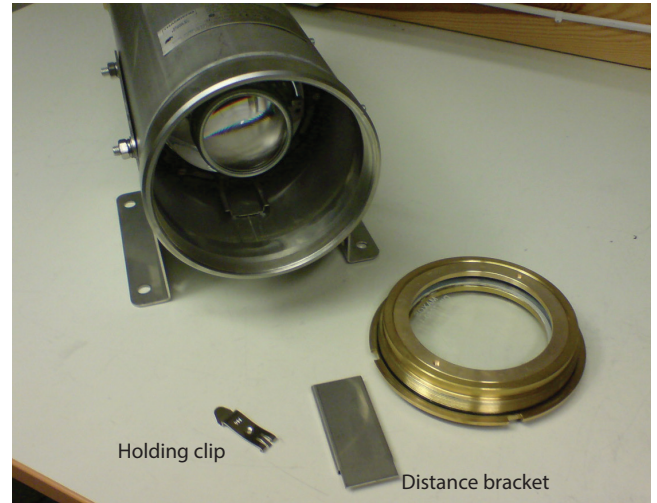
REPLACING XENON LIGHT BULB



Warning! High voltage components inside lamp. Make sure to disconnect power before opening.

1. REMOVE FRONT RING

Loosen clamps and remove front ring

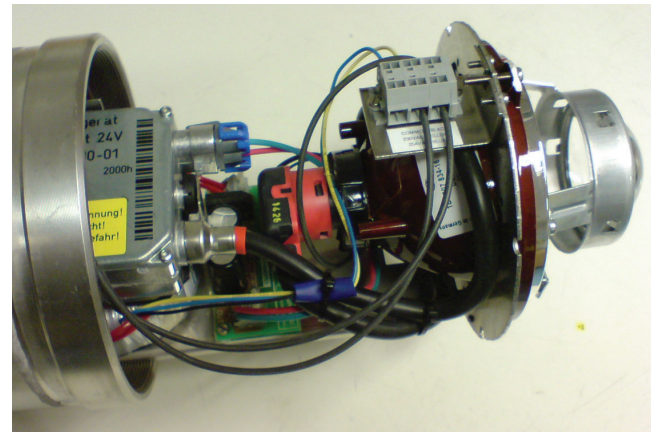


2. REMOVE HOLDING CLIP AND/OR DISTANCE BRACKET

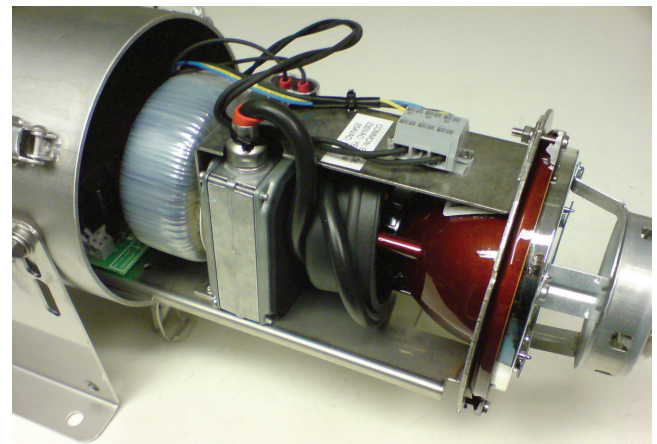


3. SLIDE OUT LAMP INSERT

New version:

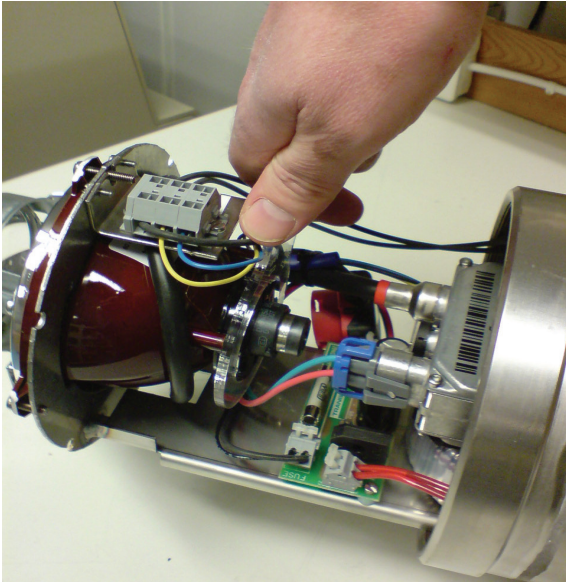


Old version:

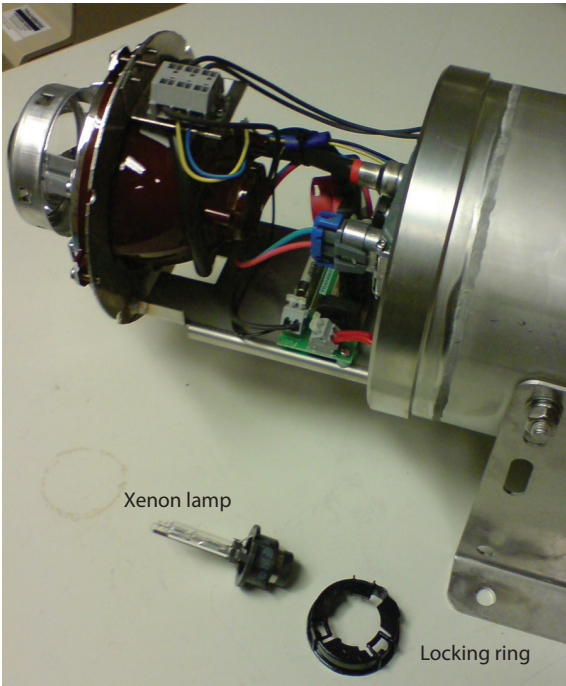


## 4A. REMOVE LIGHT BULB, NEW VERSION

4a-1:  
Disconnect the high voltage plug from the light bulb.  
Position lamp removal tool over locking ring as shown below. twist approx. 30 degrees anti-clockwise.

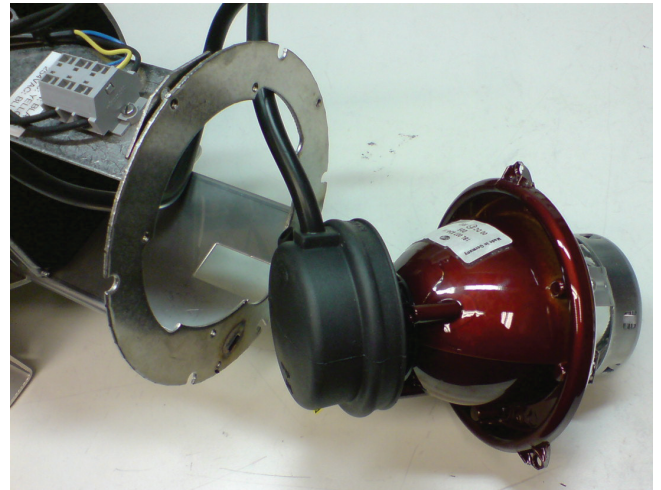


4a-2:  
Remove xenon lamp

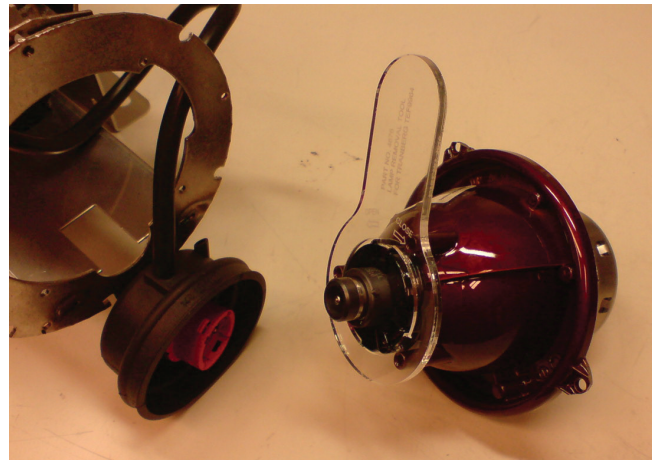


## 4B. REMOVE LIGHT BULB, OLD VER-

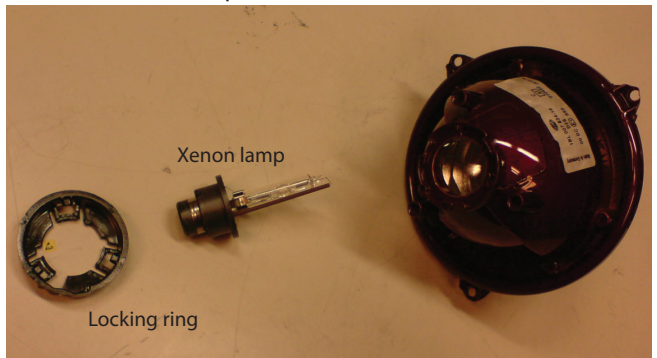
4b-1:  
Disassemble the reflector unit. 3 x M4 screws  
Disconnect the high voltage plug.



4b-2:  
Position lamp removal tool over locking ring as shown below. Twist approx. 30 degrees anti-clockwise.



4b-3:  
Remove xenon lamp



## 5. INSERT NEW XENON BULB

Note: make sure the new xenon bulb is clean. Do not touch the glass part of the bulb.

Mount lamp back together in reversed order.

## SPARE PARTS

	Part No.
Xenon Lamp, D2S. 35W, For TEF 9964	9400074
Front Glass	3241
High Voltage Igniter Unit Xenon	9400103
Locknut for Xenon D2S	9400108
Transformer W/ Mounting Bracket for 9964, 230/254 VAC	4386
Transformer W/ Mounting Bracket for 9964, 110 VAC	4387
Rectifier For 9964 Xenon Helideck Light	3069
Cable Gland Exe E204/622 M25/D kit 11,0-20,1 mm/9mm Brass	6222502
Complete Insert for TEF 9964 230/254V	3173
Complete Insert for TEF 9964 110V	3249
Complete Insert for TEF 9964 24V	4210
Tool for Replacing Xenon Lamp in TEF 9964 Helideck Floodlight	4676

## TECHNICAL DATA

Material:	Acid proof stainless steel. Polycarbonate front glass.
Input voltage:	230/254 VAC 50/60Hz 110/120 VAC 50/60Hz 24 VDC
Power consumption:	50Watt
IP-rating <u>without</u> drain plug:	IP 66/67 ( according to EN 60529)
IP-rating <u>with</u> drain plug:	IP 66
Cable glands:	2 X M25, E204/622 M25/D kit Cable diam: 11,0-15,0 mm 15,0-20,1 mm
Area of use:	Safe area
Weight:	10 kg.