

VIBRATION **SOLUTIONS**

1 PNEUMATIC
PRODUCTS

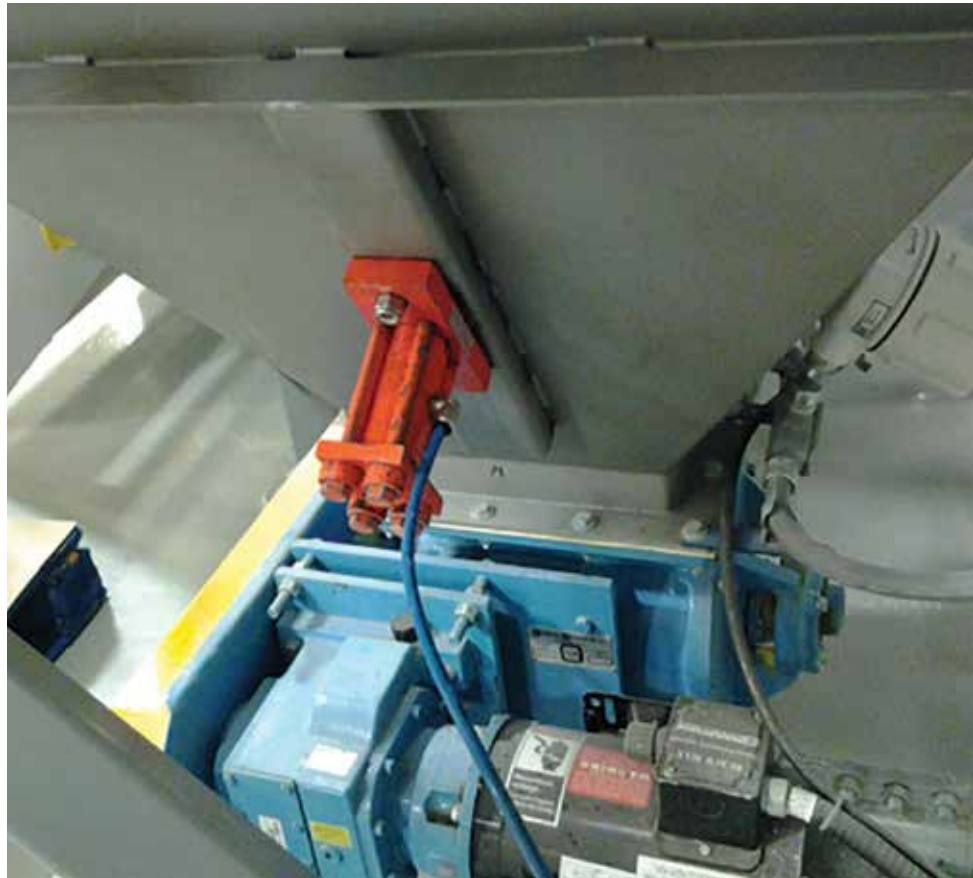
VIBCO[®]
VIBRATORS

SOLVING MATERIAL FLOW & COMPACTION SINCE 1962

PNEUMATIC VIBRATORS ON THE JOB APPLICATIONS



Above: Each time the hopper needs to empty, the VIBCO **VS-320** Pneumatic Turbine vibrator (as seen on page 10) is activated to ensure a complete clearing of the hopper. Its walls will stay totally clean and the correct amount of material will be consistently dispensed.



Above: Mounting this **50-2** unit (as seen on page 24) on a hopper will help to dispense a better quality product with accurately measured material for more consistent batches. It will also lead to a more efficient and standardized process with predictable scale weights. No more labor time wasted banging on the hopper walls to release stuck material.



Above: The patented **SVR** design (page 30-31) shown in the dust collectors of this power plant, have a dB reading of 95-110. They are also available in a silent version which brings the dB down to 80-85.



Above: A **PC-3500 Big Buster** (see page 34-35 and 58-59) shakes a railroad hopper car with its high force and low frequency. It easily clamps to the railcar and can be moved from place to place.

PNEUMATIC VIBRATOR SECTION

TURBINE VIBRATORSpages 8-21



- ▶ **BVS Series** Ideal for food & pharma, uses non-lubricated air supply
New BVS-190PLAS and BVS-160PLAS
- ▶ **VS Series** Ideal for material conveying, continuous duty, 900 lbs. of force
- ▶ **CC Series** Ideal for precast with high force & no lubrication needed.
- ▶ **MLT/MHI Series** Aluminum body ideal for clean areas - high speed sealed bearings
- ▶ **STV Series** Sanitary, totally enclosed and washdown safe for Food and Pharma
- ▶ **MLTSS Series** Stainless steel body handles sanitary and harsh chemical environments
- ▶ **BBS Series** Smallest turbine vibrator in aluminum housing with versatile mount
- ▶ **GIO Series** Glass filled nylon housing has excellent resistance to solvents.
- ▶ **FBS Series** Designed for intermittent duty for match plate with versatile mount

BALL VIBRATORSpages 22-23



- ▶ **BB Series** Threaded exhaust to pipe away oily exhaust air, small to medium vibration
- ▶ **BV Series** Continuous operation, withstands high temperature
- ▶ **V Series** (Shown left) producing up to 600 lbs. at 10,000 VPM, can be used in high temperatures

PISTON VIBRATORS.....pages 24-29



- ▶ **Model 50** (Shown in photo) High impact, linear force in a steel body, long life
- ▶ **Model 55** Cast iron, sturdy housing ideal for bins, chutes, weigh batchers, more
- ▶ **Model LI** Adjustable impacts on this high energy impactor for bins, chutes, more
- ▶ **Model MP** Mini piston with high force to weight, for small hoppers, bins, feeders
- ▶ **Model 10, 30, 40, 70, 80** End mounted pistons a variety of options for many applications

HIGH FREQUENCY VIBRATORSpages 30-33



- ▶ **SVR Series** (Shown in photo w/o lug bracket) Conventional model, high frequency
- ▶ **SVRL Series** Uses lug bracket for easy portability - high force, high frequency
- ▶ **SVRS Series** Patented silent model with a dB reading of 80 to 85
- ▶ **SVRX Series** Fits every concrete form system on the market today

PNEUMATIC & HYDRAULIC VIBRATORSpages 34-35



- ▶ **PF Series** Big Buster pneumatic - precise speed control allows "tuning" of vibrator
- ▶ **HF Series** Big Buster hydraulic - ideal for tough jobs like railroad cars and bins
- ▶ **PC Series** Big Buster pneumatic built in clamp
- ▶ **HC Series** Big Buster hydraulic built in clamp
- ▶ **HLF Series** (Shown in photo) Small version of Big Buster
- ▶ **HL Series** Small version of Big Buster for lug bracket
- ▶ **B Series** Hydraulic version ideal for O.E.M. equipment

HEAVY DUTY TURBINE "SILENT" PNEUMATIC VIBRATORS



- Heavy Duty Series, High Force Output
- Threaded Exhaust Port
- Large Bearings for Long Service Life
- Outlasts Piston Vibrators 3 to 1
- Quiet, Meets OSHA Standards
- No Lubrication Required
- Call for High Speed / High Temp / High Amplitude

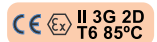
SERIES BVS - VIBCO offers 9 models in the extra heavy duty BVS series. The use of *non-lubricated* air supply makes the BVS turbine vibrators perfect for applications in food and pharmaceutical (etc.) industries where oil exhaust would be objectionable. Exhaust port is threaded for piping off of air exhaust in closed, sanitized systems. Extra large amplitudes and a wide range of sizes makes the BVS's ideal for quickly moving parts or materials. Casting for the BVS-60 or BVS-130 can be ordered in Aluminum or Malleable Iron. **Ask for Catalog #9127**



With its high force output, a BVS unit can easily move tough industrial materials in sturdy hoppers like the BVS 160 shown above. The air fitting on top helps with the flow.



Technical Data



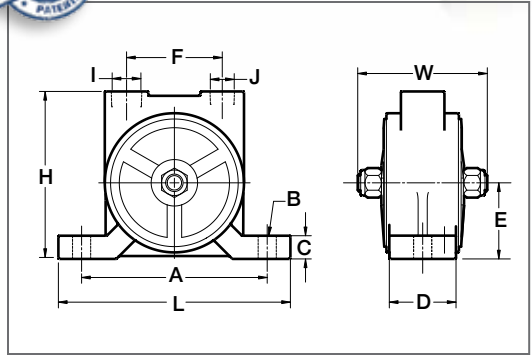
Model	Weight		60 PSI (4 Bar)				80 PSI (5.5 Bar)				Sound*	Max. Weight** of Material in Bin Slope Area	
	lbs.	kg.	Vibration per min. VPM	Cubic ft. per min. CFM air	Centrifugal Force lbs.	Centrifugal Force Newtons	Vibration per min. VPM	Cubic ft. per min. CFM air	Centrifugal Force lbs.	Centrifugal Force Newtons		dB	lbs.
BVS-60	0.4	0.2	10,000	2.5	20	90	—	—	—	—	66	200	90
BVS-130	0.6	0.3	7,500	2.5	45	195	10,500	5.5	75	335	67	750	340
BVS-160	3.0	1.4	9,500	4.0	120	530	12,000	7.0	160	710	70	1,600	725
BVS-190	3.5	1.6	7,000	6.0	160	710	12,000	7.5	270	1,200	71	2,700	1,230
BVS-250	5.3	2.4	7,000	6.0	250	1,110	12,000	7.5	480	2,135	72	4,800	2,180
BVS-320	8.0	3.6	5,000	12.0	395	1,750	6,000	15.5	600	2,670	70	6,000	2,730
BVS-380	13.1	6.0	4,200	13.0	545	2,415	5,600	16.5	670	2,980	74	6,700	3,845
BVS-510	16.0	7.3	5,200	16.0	710	3,165	6,600	20.5	900	4,005	77	9,000	4,080
BVS-570	23.0	10.4	2,800	23.5	850	3,790	4,000	29.5	1,050	4,670	83	10,500	4,775
BVST-4400	22.0	10.0	11,000	28.0	2,700	12,010	12,500	30.0	3,500	15,570	92	35,000	15,875

* Decibel from A-scale at 1 meter and 80 PSI (or maximum listed value)

** Rule of thumb for sizing: One lb. vibrator force to each 10 lbs. of bin content at 80 PSI (or maximum listed value)

NOTE: • Data obtained on laboratory test block
• Frequency and force will decrease on less rigid mount
• Data subject to design changes

VIBCO BVS SERIES THREADED EXHAUST PORT



Right: VIBCO's standard finish is shown but the BVS is also available in a variety of food-grade and sanitary finishes like bakers enamel and poly (stainless steel and aluminum models are available) and plastic.

Dimensions

Model	L		W		H		A**		B*		C		D		E		F		I	J
	in.	mm	in.	mm	in.	mm	in.	mm	in.	mm	in.	mm	in.	mm	in.	mm	in.	mm	NPT	NPT
BVS-60	3-13/16	97	1-5/8	41	2-7/16	62	3	76	1/4	6	5/8	16	3/4	19	1-3/16	30	1-1/4	32	1/8	1/8
BVS-130	4-7/8	124	1-7/8	48	2-5/8	67	4	102	3/8	10	5/8	16	7/8	22	1-1/4	32	1-7/16	37	1/8	1/4
BVS-160	5-1/2	140	2-7/8	73	3-5/8	93	4	102	3/8	10	9/16	14	1-3/8	35	1-11/16	43	1-7/8	48	1/4	3/8
BVS-190	5-1/4	133	3-1/16	81	3-7/16	87	4	102	3/8	10	7/8	22	1-5/16	33	1-9/16	40	1-7/8	48	1/4	3/8
BVS-250	6-3/4	171	3-9/16	90	3-15/16	100	5	127	1/2	13	7/8	22	1-3/8	35	1-7/8	48	2-5/16	59	1/4	3/8
BVS-320	6-3/4	171	4	102	4-7/8	124	5	127	1/2	13	1-1/8	29	1-5/8	41	2-1/4	57	2-3/4	70	3/8	1/2
BVS-380	7-15/16	202	4-3/4	121	5-13/16	148	6	152	5/8	16	1-1/8	29	2	51	2-11/16	68	3	76	3/8	1/2
BVS-510	8-15/16	227	4-3/4	121	5-3/4	146	7	178	5/8	16	1-1/4	32	2-1/4	57	2-9/16	65	3-7/16	87	1/2	3/4
BVS-570	10-3/16	259	5-7/16	138	7-1/4	184	8	203	3/4	19	1	25	2-15/16	75	3-5/16	84	4-3/16	106	3/4	1
BVST-4400	10-3/16	259	5-7/16	138	7-1/4	184	8	203	3/4	19	1	25	2-15/16	75	3-5/16	84	4-3/16	106	3/4	1

* Max. mounting bolt diameter
 ** Alternate bolt patterns available. Consult factory.

NOTE: • Material, Dimensions & Data subject to change without notice
 • Dimensions ±1/16"
 • Engineered dimensional drawings available on request

HEAVY DUTY TURBINE "SILENT" PNEUMATIC VIBRATORS



- Popular, Economical, Heavy Duty
- Large Bearings for Long Service Life
- Quiet Operation with Built-In Muffler
- Adjustable Speed
- Ideal for Dusty, Rough Environments
- No Lubrication Required

SERIES VS - VIBCO's Model VS Turbine Vibrator is ideal for material conveying systems. It's a popular model for medium size batch hoppers and screeds and is made for continuous duty. With its sturdy cast housing, it can be used for rough applications like concrete form vibration. With eight sizes available and over 900 pounds of force possible, VIBCO can find just the right size to solve your material handling requirements.

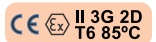
The powerful VS Model is manufactured with a variety of finishes which also make it ideal in food grade and sanitary use. It packs just the right punch to keep your bulk material moving and requires no lubrication.



Material conveying systems work more efficiently with our Model VS Turbine mounted to structural members. Use one of VIBCO's complete mounting systems to get full efficiency and longer life from your vibrator.



Technical Data



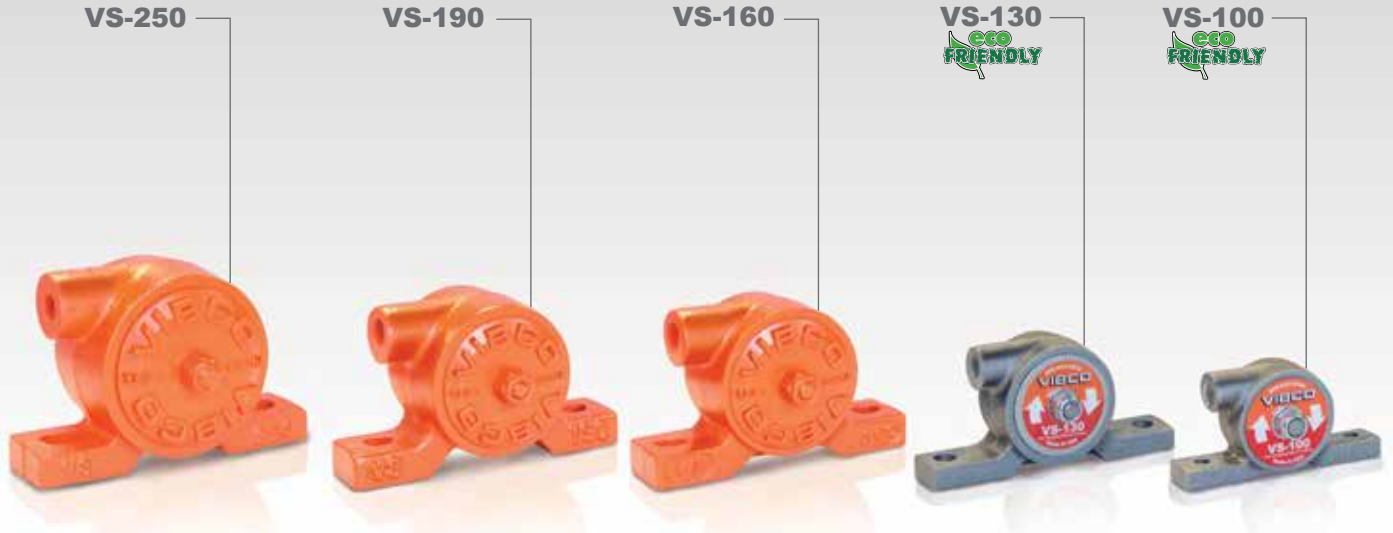
Model	Weight		60 PSI (4 Bar)				80 PSI (5.5 Bar)				Sound*	Max. Weight** of Material in Bin Slope Area	
			Vibration per min.	Cubic ft. per min.	Centrifugal Force		Vibration per min.	Cubic ft. per min.	Centrifugal Force				
	lbs.	kg.	VPM	CFM air	lbs.	Newtons	VPM	CFM air	lbs.	Newtons	dB	lbs.	kg.
VS-100	0.4	0.2	12,000	2.5	20	90	—	—	—	—	66	200	90
VS-130	0.6	0.3	9,000	2.5	45	195	10,500	5.5	75	335	67	750	340
VS-160	2.8	1.3	10,500	4.0	110	495	12,000	7.0	160	710	70	1,600	725
VS-190	3.1	1.4	6,500	6.0	90	410	12,000	7.5	270	1,200	70	2,700	1,225
VS-250	4.5	2.1	7,000	6.0	290	1,300	12,000	7.5	500	2,245	70	5,000	2,270
VS-320	6.5	2.9	5,000	12.0	350	1,560	6,000	15.5	600	2,670	69	6,000	2,720
VS-380	11.0	5.2	4,200	13.0	570	2,520	5,600	16.5	725	3,225	72	7,250	3,290
VS-510	15.0	6.8	6,000	16.0	710	3,165	6,600	20.5	900	4,005	77	9,000	4,080

* Decibel from A-scale at 1 meter and 80 PSI (or maximum listed value)

** Rule of thumb for sizing: One lb. vibrator force to each 10 lbs. of bin content at 80 PSI (or maximum listed value)

NOTE: • Data obtained on laboratory test block
• Frequency and force will decrease on less rigid mount
• Data subject to design changes

VIBCO VS SERIES BUILT-IN MUFFLER



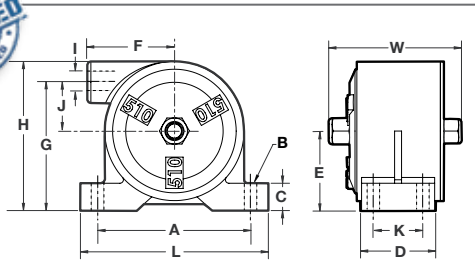
VIBCO patented the first pneumatic turbine vibrator in the early '70s and has excelled at developing vibrators for industry, manufacturing and construction use ever since. Our current patented design is *totally enclosed, maintenance-free, and features quiet operation.*



Ask for Catalog #9127



VIBCO's Model VS Turbine Vibrator works equally well on hopper applications (above left) or in conveying delicate glass vaccine bottles as the VS-100 silent Turbine is doing (above) without breakage or getting stuck.



Dimensions

Model	L		W		H		A**		B*		C		D		E		F		G		I	J		K	
	in.	mm	in.	mm	in.	mm	in.	mm	in.	mm	in.	mm	in.	mm	in.	mm	in.	mm	NPT	in.		mm	in.	mm	
VS-100	3-7/8	98	1-7/8	48	2	51	3	76	1/4	6	3/8	10	3/4	19	1	25	1-5/16	33	1-11/16	43	1/8	5/8	16	-	-
VS-130	4-7/8	124	2	51	2-5/16	59	4	102	3/8	10	3/8	10	15/16	24	1-1/4	32	1-1/2	38	1-15/16	49	1/8	3/4	19	-	-
VS-160	5-1/8	130	2-7/8	73	3	76	4	102	3/8	10	5/8	16	1-3/8	35	1-5/8	41	1-7/8	48	2-7/16	62	1/4	7/8	22	-	-
VS-190	5-7/16	138	3-1/4	83	3-1/16	78	4	102	3/8	10	5/8	16	1-5/16	33	1-3/4	44	2-1/8	54	2-1/2	64	1/4	7/8	22	-	-
VS-250	5-1/2	140	3-5/8	92	3-11/16	94	4	102	1/2	13	9/16	14	1-1/2	38	1-7/8	48	2-1/4	57	3	76	1/4	1-1/8	29	-	-
VS-320	5-1/2	140	4	102	4-3/4	121	4	102	1/2	13	13/16	21	1-3/4	44	2-3/4	70	2-1/4	57	4-1/8	105	3/8	1-1/4	32	-	-
VS-380	6-7/8	175	4-3/4	121	4-7/8	124	5-1/2	140	3/8	10	1	25	2-1/4	57	2-1/2	64	2-7/8	73	4	102	3/8	1-1/2	38	1-1/4	32
VS-510	6-15/16	176	4-3/4	121	5-3/8	137	5-1/2	140	3/8	10	1	25	2-3/4	70	2-7/8	73	3-1/4	83	4-3/4	121	1/2	1-3/4	44	1-3/4	44

* Max. mounting bolt diameter
 ** Alternate bolt patterns available. Consult factory.

NOTE: • Material, Dimensions & Data subject to change without notice
 • Dimensions ±1/16"
 • Engineered dimensional drawings available on request

HEAVY DUTY TURBINE "SILENT" PNEUMATIC VIBRATORS



- **Years of Trouble-Free Service** • **High Force**
- **Quiet, Meets OSHA Standards** • **Patented Design**
- **No Lubrication Required**

The only unit on the market to offer high force and absolutely quiet operation. Nine models are available. They all work on the patented turbine principle. Compressed air drives a specially designed turbine wheel, allowing the air to be channeled through the unit, then exhausting through muffler pads, making them virtually noiseless. None of these units need lubrication, all are pre-lubricated for life. Oversized bearings give the units years of trouble-free service.

MODEL CCF-2000, CCF-5000 & 7000 - Foot Mount - The quiet solution for large bins, hoppers, chutes, and ideal for the packing table and for screen applications. The lightweight and high force output, CCF-2000 and CCF-5000 replaces noisy 3" and 4" piston vibrators. The CCF-7000 is ideal for precast and concrete and replaces noisy roller vibrators with 100-110 dB noise level.

MODEL CCW-2000 - Wedge Mount - For portable applications, CCW-2000 comes with either a 2" or 3" wide wedge. The 2" wedge is used on septic tanks, manholes, columns, portable hoppers, and tote bins. The 3" wedge is used for larger forms such as wall and utility vaults, etc.

MODEL CCW-2500 HOBO - Wedge Mount - The Hobo Heavy

Duty Pneumatic Turbine Vibrator is the lightest weight railroad car shaker available at just 24 lbs! It works great for railcar clean-out with high force output and virtually silent operation (also see page 59)

MODEL CCW-5000 - Wedge Mount - CCW-5000 the Quiet Railroad Car-shaker has replaced the noisy piston railroad car shakers in the last few years. It replaces 3" & 4" piston vibrators. It fits all standard wedge brackets on hopper railroad cars.

MODEL CCL-2000, 5000, 7000 - Lug Mount - CCL-2000 is lightweight making it ideal for all small concrete pre-cast forms. Model CCL is ideal for tables, casting concrete panels, window frames, etc. or replacing large piston vibrators up to 4" size. CCL-7000 with 78dB and high force replaces the noisy 100-110dB roller vibrators in the concrete pipe, prestressed and precast industries.

MODEL VSP-510 Pin Bracket Mount - VSP-510 - A silent unit for concrete burial vaults, etc. as well as other applications where the vibrator is moved from form to form or bin to bin. They meet OSHA standards for being completely noiseless and outlast standard pistons three to one.

Ask for Catalogs: **Railroad Car Shaker, Concrete Handbook and Concrete Walls & Columns**



Technical Data



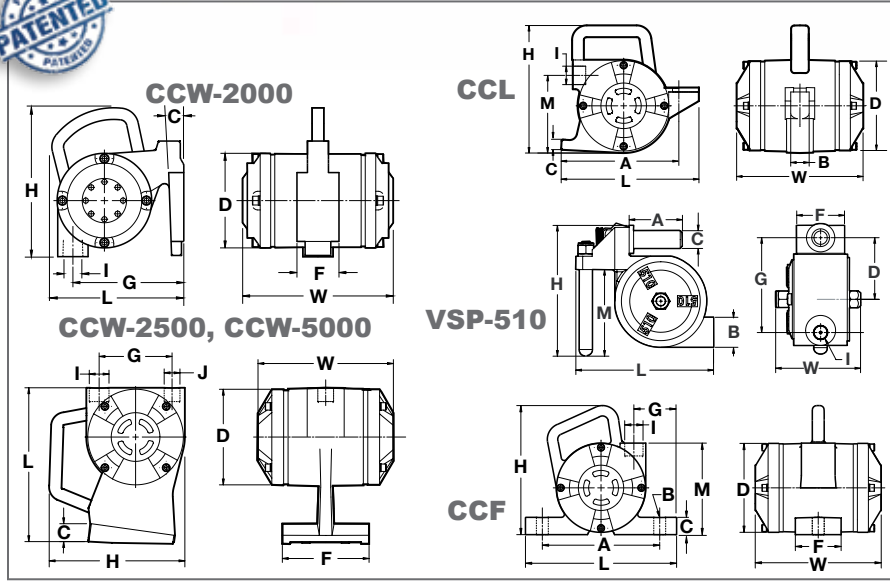
Model	Weight		60 PSI (4 Bar)				80 PSI (5.5 Bar)				Sound*	Max. Weight** of Material in Bin Slope Area	
			Vibration per min.	Cubic ft. per min.	Centrifugal Force		Vibration per min.	Cubic ft. per min.	Centrifugal Force				
	lbs.	kg.	VPM	CFM air	lbs.	Newtons	VPM	CFM air	lbs.	Newtons			
CCF-2000	23	10.5	4,000	30	890	3,960	6,000	40	2,000	8,895	78	20,000	9,070
CCL-2000	23	10.5	4,000	30	890	3,960	6,000	40	2,000	8,895	78	20,000	9,070
CCW-2000	23	10.5	4,000	30	890	3,960	6,000	40	2,000	8,895	78	20,000	9,070
CCW-2500	22	10.0	4,000	25	1,115	4,960	6,000	35	2,500	11,120	78	25,000	11,340
CCF & CCL-5000	48	21.8	4,000	35	2,220	9,875	6,000	50	5,000	22,240	75	50,000	22,680
CCW-5000	48	21.8	4,000	35	2,220	9,875	6,000	50	5,000	22,240	75	50,000	22,680
CCF & CCL-7000	48	21.8	5,000	40	3,380	15,035	7,200	50	7,000	31,135	78	70,000	31,750
VSP-510	15	6.8	4,000	18	790	3,515	4,500	21	1,000	4,450	77	10,000	4,500

* Decibel from A-scale at 1 meter and 80 PSI

** Rule of thumb for sizing: One lb. vibrator force to each 10 lbs. of bin content at 80 PSI

NOTE: • Data obtained on laboratory test block
• Frequency and force will decrease on less rigid mount
• Data subject to design changes

CC SERIES HIGH FORCE



The CCW-5000 unit shown here fits the standard rail car female wedge bracket for easy unloading of a rail road hopper car.

Dimensions

Model	L		W		H		A**		B*		C		D		F		G		I	J	M	
	in.	mm	in.	mm	in.	mm	in.	mm	in.	mm	in.	mm	in.	mm	in.	mm	in.	mm	NPT	NPT	in.	mm
CCF-2000	7-1/2	190	8-1/16	205	7-1/8	181	6	152	5/8	16	3/4	19	5-1/8	130	2	51	1-3/4	44	3/4	-	5-3/8	137
CCL-2000	7	178	8-1/16	205	7-1/4	184	6	152	3/4	19	3/8	10	5-1/8	130	-	-	-	-	3/4	-	4-1/8	105
CCW-2000	7	178	8-1/16	205	8	203	-	-	-	-	7/8	22	5-1/8	130	2-1/4	57	5-15/16	151	3/4	-	-	-
CCW-2500	9-3/4	248	6-7/16	164	8-5/8	219	-	-	-	-	1-1/8	29	6-1/16	154	5-1/2	140	4-11/16	120	3/4	3/4	-	-
CCF- 5000 & 7000	10-1/4	260	8-5/8	219	8-7/8	225	8	203	3/4	19	1-1/8	29	6-1/16	154	3-1/8	79	2-7/8	73	1	-	6-1/4	159
CCL- 5000 & 7000	9-3/8	238	8-5/8	219	8-5/8	219	8	203	1	25	13/16	21	6-1/16	154	-	-	-	-	1	-	5-1/4	133
CCW-5000	9-3/4	248	8-5/8	219	8-5/8	219	-	-	-	-	1-1/8	29	6-1/16	154	5-1/2	140	4-5/8	117	1	3/4	-	-
VSP-510	8	203	4-13/16	121	7-1/8	181	3	76	1-1/2†	38	1	25	3-1/2	89	2-5/8	67	5-5/16	135	1/2	-	4-3/4	121

* Max. mounting bolt diameter
 ** Alternate bolt patterns available. Consult factory.
 † See drawing for dimension B, no bolt required for VSP-510

NOTE: • Material, Dimensions & Data subject to change without notice
 • Dimensions ±1/16"
 • Engineered dimensional drawings available on request

"SILENT" PNEUMATIC TURBINE VIBRATORS

MLT-380
MHI-380
eco FRIENDLY

MLT-320
MHI-320
eco FRIENDLY

MLT-250
MHI-250
eco FRIENDLY



- **MLT Continuous Duty**
- **MHI High Speed, Fast Start, Intermittent Duty**
- **Lightweight Extruded Aluminum Housing**
- **Pressure Range 30 to 80 PSI**
- **Quiet, Meets OSHA Standards**
- **No Lubrication Required**

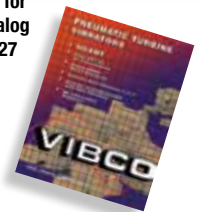
SERIES MLT - VIBCO's MLT line vibrators are lightweight, with housings made from extruded aluminum, stainless steel shafts and aircraft aluminum end cover. Oversized bearings give these vibrators additional strength, durability, and long life. Designed with slotted mounting hole for easy installation on many bolt patterns. The tapped exhaust ports allow exhausting air to be piped off to ensure a clean environment or a muffler should be installed to lessen the noise of exhausting air. The operating range is 30-80 PSI with maximum operating temperature of 250°F or 120°C. The units are virtually noiseless with a dB reading well below OSHA limits, as low as 68 dB on the A-scale at 1 meter.

SERIES MHI - The MHI line features a fast start (reaching full RPM in half the time of standard models) and high frequency.

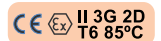
Both the MLT and MHI lines are available in a variety of sanitary finishes for the food and beverage and pharmaceutical industries. Available in high gloss dairy white industrial enamel, anodized or unpainted aluminum.



Ask for Catalog #9127



Technical Data



Model	Weight		60 PSI (4 Bar)				80 PSI (5.5 Bar)				Sound*	Max. Weight** of Material in Bin Slope Area	
			Vibration per min.	Cubic ft. per min.	Centrifugal Force		Vibration per min.	Cubic ft. per min.	Centrifugal Force				
	lbs.	kg.	VPM	CFM air	lbs.	Newtons	VPM	CFM air	lbs.	Newtons	dB	lbs.	kg.
MLT-100	0.4	0.2	10,000	3.0	20	90	—	—	—	—	66	200	90
MLT-130	1.0	0.5	7,500	4.5	50	225	10,500	5.5	75	335	68	750	340
MLT-190	2.0	0.9	7,000	7.5	160	710	7,200	8.5	270	1,200	68	2,700	1,225
MLT-250	2.4	1.1	7,000	8.0	250	1,115	7,200	9.0	480	2,135	72	4,800	2,180
MLT-320	4.5	2.0	5,500	9.0	390	1,735	6,800	10.0	600	2,669	70	6,000	2,700
MLT-380	13.1	6.0	4,200	13.0	545	2,415	5,600	17.0	670	2,980	74	6,700	3,040
MHI-100	0.4	0.2	24,000	2.5	80	355	—	—	—	—	68	200	90
MHI-130	1.0	0.5	17,200	4.5	200	890	21,000	5.5	300	1,340	68	3,000	1,350
MHI-190	2.0	0.9	8,000	7.5	335	1,490	10,500	8.5	575	2,560	71	5,750	2,590
MHI-250	2.4	1.1	7,400	8.0	510	2,270	10,200	9.0	965	9,290	72	9,650	4,350
MHI-320	4.5	2.0	7,200	9.0	675	3,000	10,000	10.0	1300	5,780	70	13,000	5,855
MHI-380	13.1	6.0	7,000	13.0	350	1,560	10,000	17.0	680	3,025	74	6,800	3,090

* Decibel from A-scale at 1 meter and 80 PSI (or maximum listed value)

** Rule of thumb for sizing: One lb. vibrator force to each 10 lbs. of bin content at 80 PSI (or maximum listed value)

NOTE: • Data obtained on laboratory test block
• Frequency and force will decrease on less rigid mount
• Data subject to design changes

VIBCO MLT SERIES LIGHTWEIGHT

PNEUMATIC

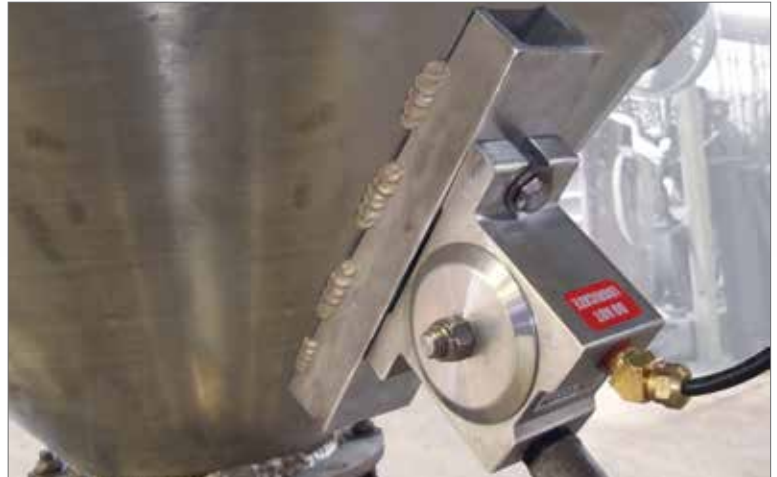
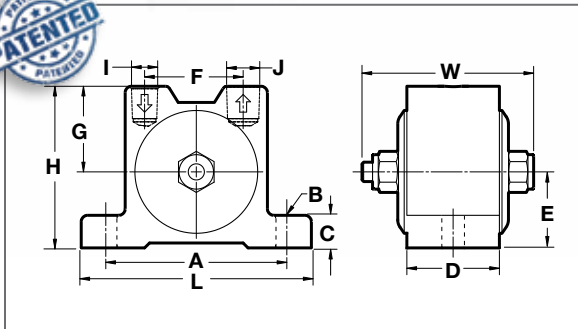
MLT190
MHI-190
ECO FRIENDLY



MLT-130
MHI-130
ECO FRIENDLY



MLT-100
MHI-100
ECO FRIENDLY



With high speed sealed bearings that are pre-lubricated for life, the MLT Vibrators (like the MLT-190 shown right) are virtually maintenance free – no lubrication required! Use VIBCO's mounting system for greater efficiency and longer vibrator life. Consult factory for more information on mounting.

Dimensions

Model	L		W		H		A**		B*		C		D		F		G		I	J
	in.	mm	in.	mm	in.	mm	in.	mm	in.	mm	in.	mm	in.	mm	in.	mm	in.	mm	NPT	NPT
MLT-100	3-3/8	86	1-5/8	41	1-15/16	49	2-11/16	68	1/4	6	7/16	11	13/16	21	1-1/4	32	1	25	1/8	1/8
MLT-130	3-1/2	89	1-7/8	48	2-1/2	64	2-3/4	70	1/4	6	1/2	13	1	25	1-7/16	37	1-1/8	29	1/8	1/4
MLT-190	4-1/2	114	3-3/8	86	3-3/16	81	3-1/2	89	3/8	10	5/8	16	1-13/16	46	1-15/16	49	1-1/2	38	1/4	3/8
MLT-250	5	127	3-1/2	89	3-3/8	86	4	102	3/8	10	5/8	16	2	51	2-1/4	57	1-11/16	43	1/4	3/8
MLT-320	6-3/8	162	4	102	4-1/4	108	5	127	1/2	13	13/16	21	2	51	2-13/16	71	2-1/16	52	3/8	1/2
MLT-380	7-5/8	194	4-15/16	125	4-3/4	121	6	152	11/16	17	1-3/16	30	2-5/16	59	3-1/8	79	2-3/8	60	3/8	1/2
MHI-100	2-13/16	71	1-5/8	41	2	51	2-3/8	60	1/4	6	3/8	10	13/16	21	1-1/8	29	1-1/16	27	1/8	1/8
MHI-130	3-1/2	89	1-7/8	48	2-1/2	64	2-3/4	70	1/4	6	1/2	13	1	25	1-7/16	37	1-3/16	29	1/8	1/4
MHI-190	4-1/2	114	3-3/8	86	3-3/16	81	3-1/2	89	3/8	10	5/8	16	1-13/16	46	1-15/16	49	1-3/4	44	1/4	3/8
MHI-250	5	127	3-1/2	89	3-3/8	86	4	102	3/8	10	5/8	16	2	51	2-1/4	57	1-11/16	43	1/4	3/8
MHI-320	6	152	4	102	4-1/4	108	5	127	1/2	13	13/16	21	2	51	2-13/16	71	2-1/8	54	3/8	1/2
MHI-380	7-5/8	194	4-15/16	125	4-3/4	121	6	152	11/16	17	1-3/16	30	2-5/16	59	3-1/8	79	2-3/8	60	3/8	1/2

* Max. mounting bolt diameter
** Alternate bolt patterns available. Consult factory.

NOTE: • Material, Dimensions & Data subject to change without notice
• Dimensions ±1/16"
• Engineered dimensional drawings available on request

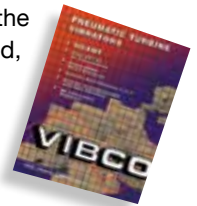
"SILENT" PNEUMATIC TURBINE VIBRATORS



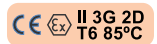
- **Lightweight Aluminum Housing**
- **Sanitary, Washdown Safe**
- **Quiet, Meets OSHA Standards**
- **From 100 to 600 lbs of Force**
- **No Lubrication Required**
- **Slotted Foot for Flexible Placement**
- **Thin and Smooth to Fit in Tight Spaces**
- **Fit's Competitive Hole Patterns**

SERIES STV - The need for a safe wash-down unit in the pharmaceutical, chemical and laboratory environment lead VIBCO engineers to design the STV line. There are no protruding bolts or surfaces to collect material. These units are totally enclosed and are power wash safe. By attaching an air hose to the exhaust port, the exhausting air can be piped away and exhausted outside the area. VIBCO's patented design will insure a long and maintenance free service. The all aluminum anodized unit will not rust or corrode. Six units in line will produce a very small vibration force for the smallest bin or chute to the largest bin in the food, beverage and pharmaceutical or chemical industries needing a safe wash-down unit.

Ask for Catalog #9127



Technical Data



Model	Weight		60 PSI (4 Bar)				80 PSI (5.5 Bar)				Sound*	Max. Weight** of Material in Bin Slope Area	
			Vibration per min.	Cubic ft. per min.	Centrifugal Force		Vibration per min.	Cubic ft. per min.	Centrifugal Force				
	lbs.	kg.	VPM	CFM air	lbs.	Newtons	VPM	CFM air	lbs.	Newtons	dB	lbs.	kg.
STV-100	0.4	0.2	24,000	2.5	80	355	—	—	—	—	68	200	90
STV-130	1.0	0.5	17,200	4.5	200	890	21,000	5.5	300	1,340	68	3,000	1,350
STV-190	2.0	0.9	8,000	7.5	335	1,490	10,500	8.5	575	2,560	71	5,750	2,590
STV-250	2.4	1.1	7,400	8.0	510	2,270	10,200	9.0	965	9,290	72	9,650	4,350
STV-320	4.5	2.0	7,200	9.0	675	3,000	10,000	10.0	1300	5,780	70	13,000	5,855
STV-380	13.1	6.0	7,000	13.0	350	1,560	10,000	17.0	680	3,025	74	6,800	3,090

* Decibel from A-scale at 1 meter and 80 PSI (or maximum listed value)

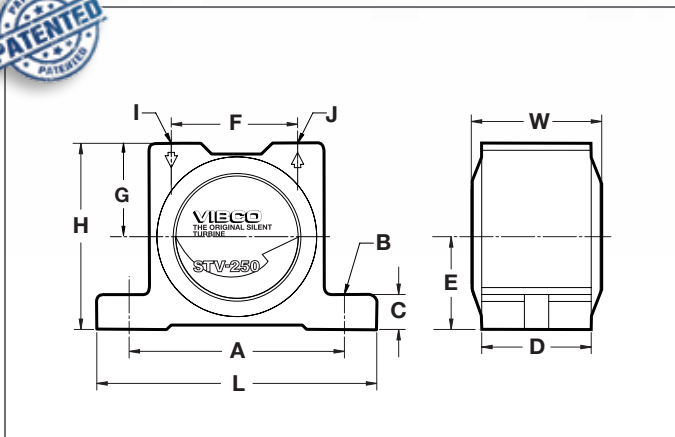
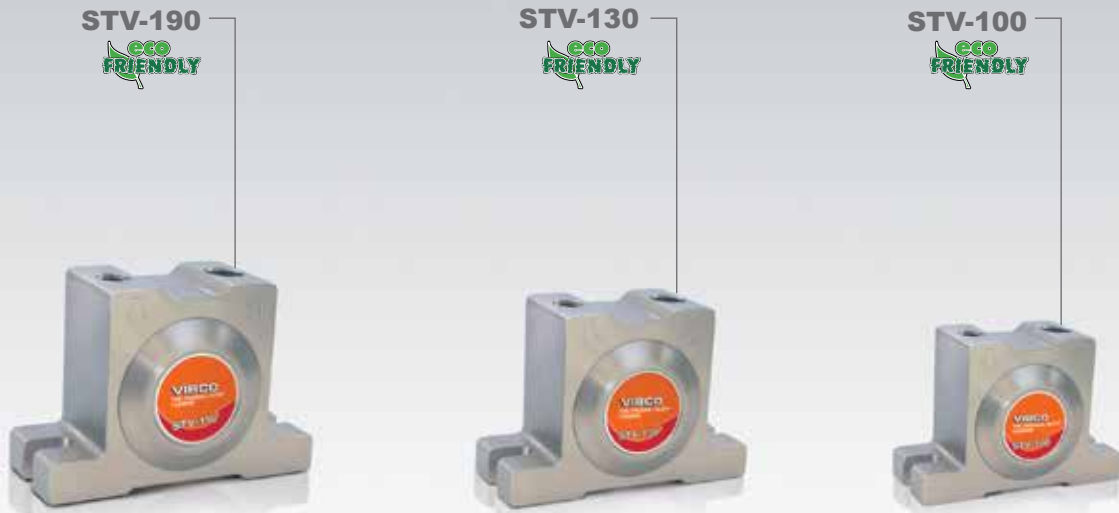
** Rule of thumb for sizing: One lb. vibrator force to each 10 lbs. of bin content at 80 PSI (or maximum listed value)

NOTE: • Data obtained on laboratory test block
• Frequency and force will decrease on less rigid mount
• Data subject to design changes

VIBCO STV SERIES

SANITARY & WASHDOWN SAFE

PNEUMATIC



Totally enclosed, the STV shown right is unaffected by power washing and will not rust or corrode.

Dimensions

Model	L		W		H		A**		B*		C		D		F		G		I	J
	in.	mm	in.	mm	in.	mm	in.	mm	in.	mm	in.	mm	in.	mm	in.	mm	in.	mm	NPT	NPT
STV-100	3-3/8	86	1-3/16	30	1-15/16	49	2-11/16	68	1/4	6	7/16	11	13/16	21	1-1/4	32	1	25	1/8	1/8
STV-130	4-1/2	114	1-7/16	37	2-9/16	65	3-1/2	89	5/16	8	1/2	13	1	25	1-7/16	37	1-5/16	33	1/8	1/4
STV-190	4-1/2	114	2-3/16	56	3-1/8	79	3-1/2	89	7/16	11	5/8	16	1-13/16	46	1-15/16	49	1-11/16	43	1/4	3/8
STV-250	5	127	2-3/8	60	3-3/8	86	3-7/8	98	7/16	11	5/8	16	2	51	2-1/4	57	1-11/16	43	1/4	3/8
STV-320	6-5/16	160	2-11/16	68	4-3/16	106	5	127	5/8	16	5/8	16	2-1/16	52	2-3/4	70	2-3/16	56	3/8	1/2
STV-380	7-5/8	194	3-1/8	79	4-3/4	121	6	152	11/16	17	1-3/16	30	2-5/16	59	3-1/8	79	2-3/8	60	3/8	1/2

* Max. mounting bolt diameter
 ** Alternate bolt patterns available.
 Consult factory.

NOTE: • Material, Dimensions & Data subject to change without notice
 • Dimensions $\pm 1/16"$
 • Engineered dimensional drawings available on request

VIBCO MLTSS, MHISS STAINLESS PNEUMATIC, CONTINUOUS/INTERMITTENT DUTY

MLTSS-320
MHISS-320



MLTSS-190
MHISS-190



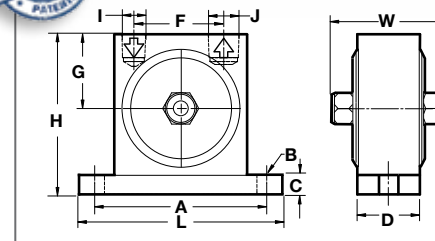
MLTSS-130
MHISS-130



With high speed sealed bearings that are pre-lubricated for life, the MLT Vibrators (like the MLTSS shown above) are virtually maintenance free.

- **MLTSS SERIES** are Continuous Duty
- **MHISS SERIES** are High Speed, Fast Start, Intermittent Duty
- **MLTSS & MHISS Series Can Be Made from 2 Grades of Stainless Steel - Standard 303 or Optional 316L**
- **Ideal for Sanitary Applications Even in Harsh Chemical Environments.**
- **Other Sanitary Finishes Available**
- **Quiet, Meets OSHA Standards**
- **No Lubrication Required**

Oversized bearings give these vibrators additional strength, durability and long life. Designed with slotted mounting hole for easy installation on many bolt patterns. The tapped exhaust ports allow exhausting air to be piped off to ensure a clean environment or a muffler should be installed to lessen the noise of exhausting air.



Dimensions

Model	L		W		H		A**		B*		C		D		F		G		I	J
	in.	mm	in.	mm	in.	mm	in.	mm	in.	mm	in.	mm	in.	mm	in.	mm	in.	mm	NPT	NPT
MLTSS-130	3-1/2	89	1-7/8	48	2-1/2	64	2-3/4	70	1/4	6	1/2	13	1	25	1-7/16	37	1-1/8	29	1/8	1/4
MLTSS-190	4-1/2	114	3-3/8	86	3-3/16	81	3-1/2	89	3/8	10	5/8	16	1-13/16	46	1-15/16	49	1-1/2	38	1/4	3/8
MLTSS-320	6-3/8	162	4	102	4-1/4	108	5	127	1/2	13	13/16	21	2	51	2-13/16	71	2-1/16	52	3/8	1/2
MHISS-130	3-1/2	89	1-7/8	48	2-1/2	64	2-3/4	70	1/4	6	1/2	13	1	25	1-7/16	37	1-3/16	29	1/8	1/4
MHISS-190	4-1/2	114	3-3/8	86	3-3/16	81	3-1/2	89	3/8	10	5/8	16	1-13/16	46	1-15/16	49	1-3/4	44	1/4	3/8
MHISS-320	6	152	4	102	4-1/4	108	5	127	1/2	13	13/16	21	2	51	2-13/16	71	2-1/8	54	3/8	1/2

* Max. mounting bolt diameter ** Alternate bolt patterns available. Consult factory.

NOTE: Material, Dimensions & Data subject to change without notice • Dimensions ±1/16"



Technical Data



Model	Weight		60 PSI (4 Bar)				80 PSI (5.5 Bar)				Sound*	Max. Weight** of Material in Bin Slope Area	
			Vibration per min.	Cubic ft. per min.	Centrifugal Force		Vibration per min.	Cubic ft. per min.	Centrifugal Force				
	lbs.	kg.	VPM	CFM air	lbs.	Newtons	VPM	CFM air	lbs.	Newtons	dB	lbs.	kg.
MLTSS-130	2	0.9	7,500	4.5	50	225	10,500	5.5	75	335	68	750	340
MLTSS-190	7	3.2	7,000	7.5	160	710	12,000	8.5	270	1,200	71	2,700	1,225
MLTSS-320	13	6.0	5,000	9.0	510	2,270	6,000	10.0	965	4,295	70	9,650	4,380
MHISS-130	2	0.9	17,200	4.5	200	890	21,000	5.5	300	1,340	68	3,000	1,360
MHISS-190	7	3.2	8,000	7.5	335	1,490	10,500	8.5	575	2,560	71	5,750	2,610
MHISS-320	13	6.0	7,200	9.0	675	3,000	10,000	10.0	1,300	5,780	70	13,000	5,900

* Decibel from A-scale at 1 meter and 80 PSI

** Rule of thumb for sizing: One lb. vibrator force to each 10 lbs. of bin content at 80 PSI

NOTE: • Data obtained on laboratory test block
• Frequency and force will decrease on less rigid mount
• Data subject to design changes

VIBCO MLT SERIES LIGHTWEIGHT

PNEUMATIC

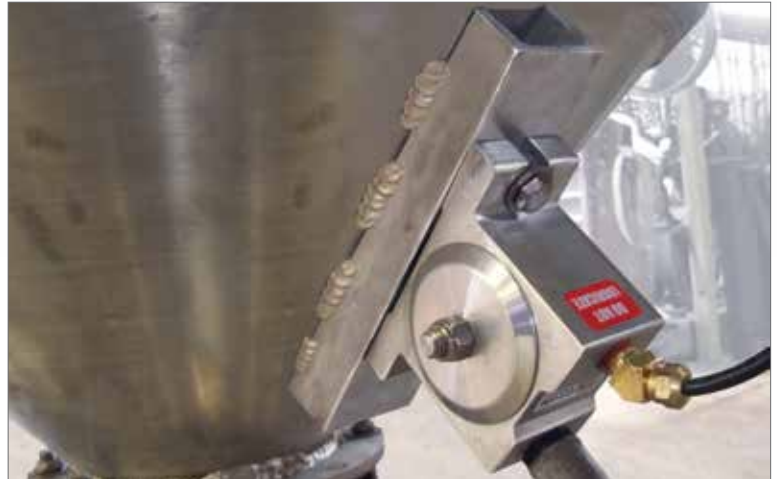
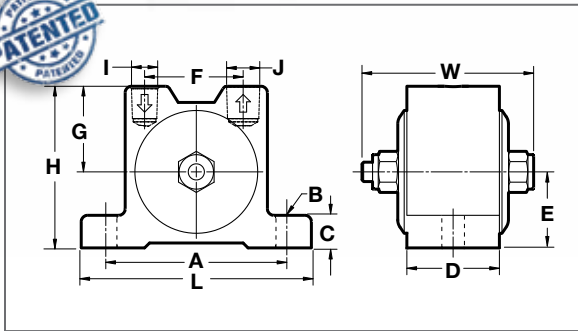
MLT190
MHI-190
ECO FRIENDLY



MLT-130
MHI-130
ECO FRIENDLY



MLT-100
MHI-100
ECO FRIENDLY



With high speed sealed bearings that are pre-lubricated for life, the MLT Vibrators (like the MLT-190 shown right) are virtually maintenance free – no lubrication required! Use VIBCO's mounting system for greater efficiency and longer vibrator life. Consult factory for more information on mounting.

Dimensions

Model	L		W		H		A**		B*		C		D		F		G		I	J
	in.	mm	in.	mm	in.	mm	in.	mm	in.	mm	in.	mm	in.	mm	in.	mm	in.	mm	NPT	NPT
MLT-100	2-13/16	71	1-5/8	41	2	51	2-3/8	60	1/4	6	3/8	10	13/16	21	1-1/8	29	1-1/16	27	1/8	1/8
MLT-130	3-1/2	89	1-7/8	48	2-1/2	64	2-3/4	70	1/4	6	1/2	13	1	25	1-7/16	37	1-1/8	29	1/8	1/4
MLT-190	4-1/2	114	3-3/8	86	3-3/16	81	3-1/2	89	3/8	10	5/8	16	1-13/16	46	1-15/16	49	1-1/2	38	1/4	3/8
MLT-250	5	127	3-1/2	89	3-3/8	86	4	102	3/8	10	5/8	16	2	51	2-1/4	57	1-11/16	43	1/4	3/8
MLT-320	6-5/16	160	4	102	4-3/16	106	5	127	1/2	13	13/16	21	2	51	2-13/16	71	2-3/16	56	3/8	1/2
MLT-380	7-5/8	194	4-15/16	125	4-3/4	121	6	152	11/16	17	1-3/16	30	2-5/16	59	3-1/8	79	2-3/8	60	3/8	1/2
MHI-100	2-13/16	71	1-5/8	41	2	51	2-3/8	60	1/4	6	3/8	10	13/16	21	1-1/8	29	1-1/16	27	1/8	1/8
MHI-130	3-1/2	89	1-7/8	48	2-1/2	64	2-3/4	70	1/4	6	1/2	13	1	25	1-7/16	37	1-3/16	29	1/8	1/4
MHI-190	4-1/2	114	3-3/8	86	3-3/16	81	3-1/2	89	3/8	10	5/8	16	1-13/16	46	1-15/16	49	1-3/4	44	1/4	3/8
MHI-250	5	127	3-1/2	89	3-3/8	86	4	102	3/8	10	5/8	16	2	51	2-1/4	57	1-11/16	43	1/4	3/8
MHI-320	6-5/16	160	4	102	4-3/16	106	5	127	1/2	13	13/16	21	2	51	2-3/4	70	2-3/16	56	3/8	1/2
MHI-380	7-5/8	194	4-15/16	125	4-3/4	121	6	152	11/16	17	1-3/16	30	2-5/16	59	3-1/8	79	2-3/8	60	3/8	1/2

* Max. mounting bolt diameter
** Alternate bolt patterns available.
Consult factory.

NOTE: • Material, Dimensions & Data subject to change without notice
• Dimensions ±1/16"
• Engineered dimensional drawings available on request

"SILENT" PNEUMATIC TURBINE VIBRATORS



BBS & GIO SERIES

- No Lubrication Required
- Fast Start
- High Frequency
- Aluminum Housing for BBS Series
- Lightweight Plastic, Corrosion Resistant Housing for the GIO Series

MODEL BBS - The BBS-100, 130, 160 and 190 are the smallest of VIBCO turbine vibrators and feature a versatile mount and aluminum housing. (Malleable Casting available on special order.) They never need oil for continuous duty operation. Comes with a threaded exhaust port.

MODEL GIO - GIO Silent Pneumatic Turbine Vibrators are the smallest, lightest, most versatile VIBCO turbine vibrators available. Your wash-down environment is no match for the durable, corrosion-resistant housing that has excellent resistance to solvents.

The BBS, shown at right, is a remarkably small 3-1/4" x 2" yet packs a punch with 10,000 vibrations per minute and a centrifugal force of 20 lbs. It is ideal for bins which are loaded with up to 200 lbs.

Ask for
Catalog
#9127



Technical Data

CE II 3G 2D
T6 85°C

Model	Weight		60 PSI (4 Bar)				80 PSI (5.5 Bar)				Sound*	Max. Weight** of Material in Bin Slope Area	
			Vibration per min.	Cubic ft. per min.	Centrifugal Force		Vibration per min.	Cubic ft. per min.	Centrifugal Force				
	lbs.	kg.	VPM	CFM air	lbs.	Newtons	VPM	CFM air	lbs.	Newtons	dB	lbs.	kg.
FBS-100	9.8 oz.	0.28	17,000	<2.0	30	135	—	—	—	—	66	For Match-Plates	
FBS-130	18.1 oz.	0.51	13,000	2.0	115	505	17,000	2.25	150	665	68	For Match-Plates	
FBS-160	23.9 oz.	0.68	15,000	2.25	145	655	18,000	2.50	225	1,000	68	For Match-Plates	
FBS-190	25.2 oz.	0.71	13,000	2.25	180	805	17,000	2.50	250	1,110	70	For Match-Plates	
BBS-100	5.1 oz.	0.14	10,000	<2.0	20	90	—	—	—	—	66	200	90
BBS-130	8.1 oz.	0.23	12,000	2.0	45	195	17,000	2.25	75	335	67	750	340
BBS-160	10.4 oz.	0.29	10,000	2.0	60	265	15,000	2.25	160	710	67	1,600	725
BBS-190	10.6 oz.	0.30	10,000	2.0	180	805	15,000	2.25	250	1,115	70	2,500	1,135
GIO-100	4.0 oz.	0.11	12,000	<2.0	20	90	—	—	—	—	66	200	90
GIO-130	6.4 oz.	0.18	8,000	2.0	45	195	10,500	2.25	75	335	67	750	340
GIO-160	7.2 oz.	0.20	5,500	2.0	60	265	9,000	2.25	160	710	67	1,600	725
GIO-190	7.2 oz.	0.20	5,000	2.0	180	805	8,500	2.25	250	1,115	70	2,500	1,135

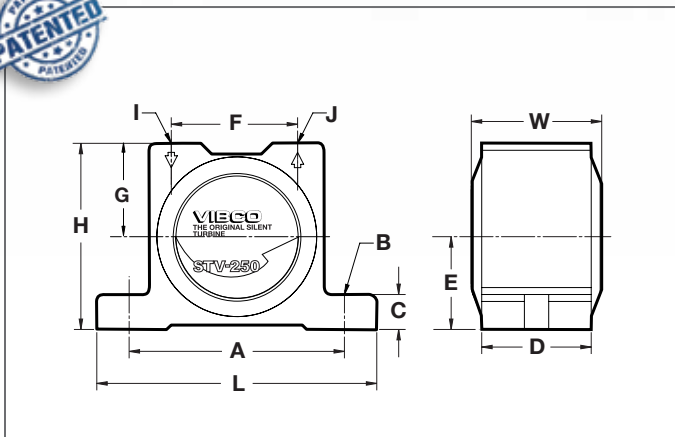
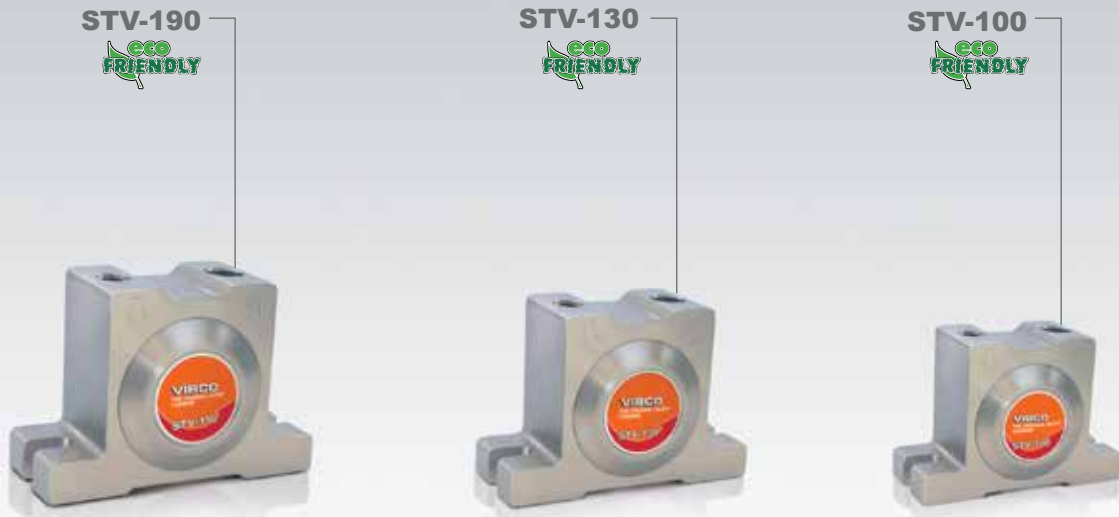
* Decibel from A-scale at 1 meter and 80 PSI (or maximum listed value)
 ** Rule of thumb for sizing: One lb. vibrator force to each 10 lbs. of bin content at 80 PSI (or maximum listed value)

NOTE: • Data obtained on laboratory test block
 • Frequency and force will decrease on less rigid mount
 • Data subject to design changes

VIBCO STV SERIES

SANITARY & WASHDOWN SAFE

PNEUMATIC



Totally enclosed, the STV shown right is unaffected by power washing and will not rust or corrode.

Dimensions

Model	L		W		H		A**		B*		C		D		F		G		I	J
	in.	mm	in.	mm	in.	mm	in.	mm	in.	mm	in.	mm	in.	mm	in.	mm	in.	mm	NPT	NPT
STV-100	2-13/16	71	1-3/16	301	2	51	2-3/16	56	1/4	6	3/8	10	13/16	21	1-1/8	29	1-1/16	27	1/8	1/8
STV-130	4-1/2	114	1-7/16	37	2-9/16	65	3-1/2	89	5/16	8	1/2	13	1	25	1-7/16	37	1-5/16	33	1/8	1/4
STV-190	4-1/2	114	2-3/16	56	3-1/8	79	3-1/2	89	7/16	11	5/8	16	1-13/16	46	1-15/16	49	1-11/16	43	1/4	3/8
STV-250	5	127	2-3/8	60	3-3/8	86	3-7/8	98	7/16	11	5/8	16	2	51	2-1/4	57	1-11/16	43	1/4	3/8
STV-320	6-5/16	160	2-11/16	68	4-3/16	106	5	127	1/2	13	13/16	21	2	51	2-3/4	70	2-3/16	56	3/8	1/2
STV-380	7-5/8	194	3-1/8	79	4-3/4	121	6	152	11/16	17	1-3/16	30	2-5/16	59	3-1/8	79	2-3/8	60	3/8	1/2

* Max. mounting bolt diameter
 ** Alternate bolt patterns available.
 Consult factory.

NOTE: • Material, Dimensions & Data subject to change without notice
 • Dimensions $\pm 1/16"$
 • Engineered dimensional drawings available on request

PNEUMATIC BALL VIBRATORS



THE BB SERIES, left, can be equipped with a muffler on the threaded exhaust port. The threaded exhaust allows oily exhaust air to be piped away when absolute cleanliness is required. Designed for applications requiring a small to medium amount of vibration.

THE V-LINE BALL VIBRATORS are lowest in cost with tapped exhaust. Versatile, light & sturdy, they're made to work in adverse conditions of water, heat, cold or dirt, and in any position. The most popular unit is the V-320, considered the work horse of the line, producing 600 lbs. at 10,000 VPM.

THE BV SERIES withstands continuous operation at high temperatures up to 350° by maintaining a constant low air pressure of 5 to 10 PSI through unit when not in operation. Easy to repair. The top air outlet port allows discharged air to be silenced by a muffler, or piped away from the area of operation when absolute cleanliness is required.

VIBCO BALL VIBRATORS

- Tapped Inlet and Outlet
- High Temperature Operation
- Fast Start
- Bolt Patterns match Competitors

Require lubrication for long maintenance-free operation. Compressed air drives a hardened steel ball at high speeds around a highly finished and hardened steel race creating high frequency vibration. Mount VIBCO Ball Vibrator directly onto mounting plates welded or bolted to the structure to be vibrated.

Technical Data

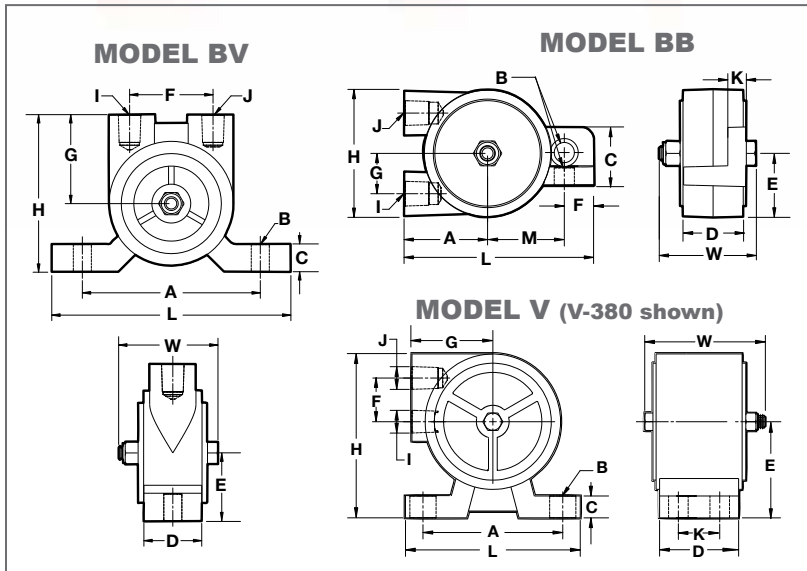
Model	Weight		Vibration per min.		Cubic ft. per min.		Vibration per min.		Cubic ft. per min.		Centrifugal Force		Sound	Max. Weight** of Material in Bin Slope Area	
	lbs.	kg.	VPM*	CFM	VPM*	CFM	VPM*	CFM	lbs.	Newtons	dB*	lbs.	kg.		
SERIES BB			20 PSI (1.4 Bar)		40 PSI (2.8 Bar)		60 PSI (4 Bar)						@VPM		
BB-100	8 oz.	0.23	17,000	2.0	20,000	4	24,000	6.0	55	245	75/20,000	550	250		
BB-130	10 oz.	0.28	12,000	2.5	15,000	5	19,000	7.5	80	355	72/15,000	800	365		
BB-160	16 oz.	0.45	11,000	3.0	13,000	6	15,000	8.0	140	625	76/13,000	1,400	635		
BB-190	18 oz.	0.51	10,000	4.0	12,000	7	15,500	11.0	250	1,110	77/12,000	2,500	1,135		
SERIES BV			40 PSI (2.8 Bar)		60 PSI (4 Bar)		80 PSI (5.5 Bar)						@VPM		
BV-60	8 oz.	0.23	17,000	2.0	20,000	4	24,000	6.0	55	245	75/20,000	550	250		
BV-130	11 oz.	0.31	12,000	2.0	15,000	5	19,000	7.5	80	355	76/15,000	800	365		
BV-190	24 oz.	0.69	12,000	6.0	14,000	10	16,000	11.0	260	1,160	77/12,000	2,600	1,180		
BV-250	2.8	1.30	9,200	8.0	10,500	11	11,000	13.0	380	1,690	79/9,200	3,800	1,725		
BV-320	4.8	2.20	6,500	9.0	7,500	14	8,400	17.0	480	2,135	80/6,500	4,800	2,175		
BV-380	6.2	2.80	5,500	10.0	6,200	15	6,500	20.0	600	2,670	82/5,500	6,000	2,720		
SERIES V			40 PSI (2.8 Bar)		60 PSI (4 Bar)		80 PSI (5.5 Bar)						@VPM		
V-100	8 oz.	0.23	20,000	4.0	24,000	6	-	-	55 (60 PSI)	245 (60 PSI)	75/20,000	550 (60 PSI)	250 (60 PSI)		
V-130	11 oz.	0.31	15,000	5.0	19,000	7.5	-	-	80 (60 PSI)	355 (60 PSI)	72/15,000	800 (60 PSI)	365 (60 PSI)		
V-190	26 oz.	0.74	12,000	6.0	14,000	10	16,000	11.0	260	1,160	73/16,000	2,600	1,180		
V-250	2.6	1.20	9,200	8.0	10,500	11	11,000	13.0	380	1,690	72/11,000	3,800	1,725		
V-320	4.6	2.10	7,500	12.0	8,900	14	10,000	17.0	650	2,895	78/10,000	6,500	2,950		
V-380	6.2	2.80	5,500	10.0	6,200	15	6,500	20.0	600	2,670	78/6,500	6,000	2,720		

* Decibel from A-scale at 1 meter and given VPM

** Rule of thumb for sizing: One lb. vibrator force to each 10 lbs. of bin content at 80 PSI (or maximum listed value)

NOTE: • Data obtained on laboratory test block
• Frequency and force will decrease on less rigid mount
• Data subject to design changes

VIBCO BB, BV & V SERIES FAST START



The V-190 shown with optional muffler for noise reduction. A base plate is mounted under the channel for greater efficiency.

Dimensions

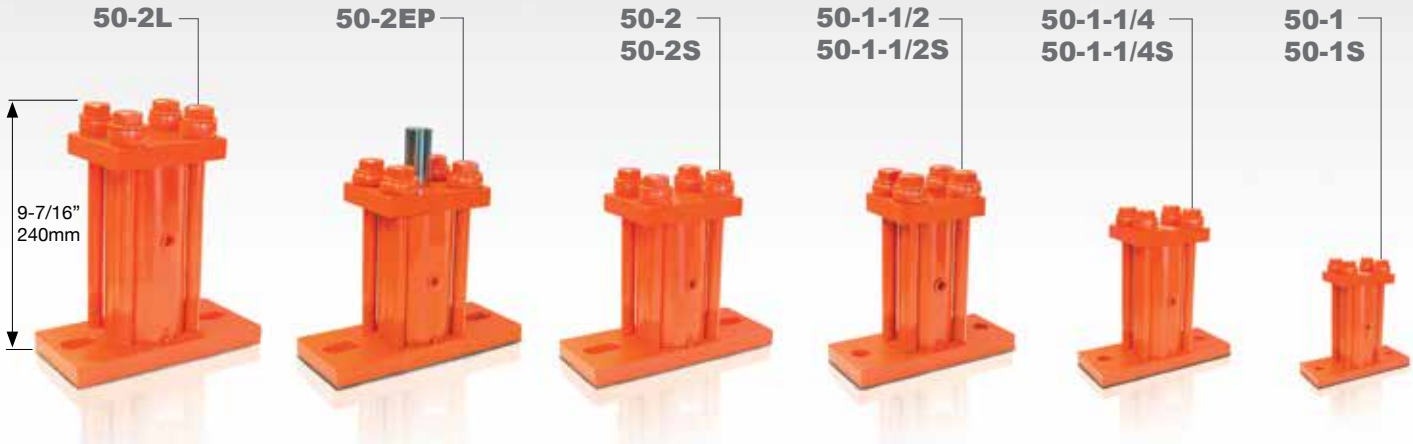
Model	L		W		H		A**		B*		C		D		E		F		G		I		J		K		M	
	in.	mm	in.	mm	in.	mm	in.	mm	in.	mm	in.	mm	in.	mm	in.	mm	in.	mm	in.	mm	NPT	NPT	in.	mm	in.	mm		
BB-100	3-1/4	83	1-11/16	43	2	51	1-1/4	32	5/16	8	1	25	7/8	22	15/16	24	1/2	12	9/16	14	1/8	1/8	5/16	8	1-3/8	35		
BB-130	3-3/4	95	1-15/16	49	2-1/4	57	1-5/8	41	3/8	10	1-3/16	30	1-1/16	27	1-1/8	29	9/16	14	5/8	16	1/4	1/4	5/16	8	1-9/16	40		
BB-160	4-1/8	105	2	51	2-9/16	65	1-3/4	44	3/8	10	1-1/4	32	1-1/4	32	1-1/4	32	3/4	19	3/4	19	1/4	1/4	3/8	10	1-13/16	46		
BB-190	4-1/8	105	2	51	2-9/16	65	1-3/4	44	3/8	10	1-1/4	32	1-1/4	32	1-1/4	32	3/4	19	3/4	19	1/4	1/4	3/8	10	1-13/16	46		

Model	L		W		H		A**		B*		C		D		E		F		G		I		J	
	in.	mm	in.	mm	in.	mm	in.	mm	in.	mm	in.	mm	in.	mm	in.	mm	in.	mm	in.	mm	NPT	NPT		
BV-60	3-7/8	98	1-11/16	43	2-1/2	64	3	76	1/4	6	5/8	16	3/4	19	1-3/16	30	1-1/4	32	1-1/4	32	1/8	1/8		
BV-130	4-7/8	124	1-15/16	49	2-3/4	70	4	102	3/8	10	3/4	19	7/8	22	1-1/4	32	1-7/16	37	1-5/16	33	1/8	1/4		
BV-190	5-1/2	140	2-1/4	57	3-9/16	90	4	102	3/8	10	9/16	14	1-1/4	32	2	51	1-7/8	48	2	51	1/4	1/4		
BV-250	6-3/4	171	2-7/16	62	4	102	5	127	1/2	12	7/8	22	1-5/16	33	2	51	2-3/16	56	2-1/8	54	1/4	1/4		
BV-320	6-11/16	170	2-3/4	70	4-7/8	124	5	127	1/2	12	1-1/8	29	1-5/8	41	3	76	2-3/4	70	2-9/16	65	3/8	3/8		
BV-380	7-7/8	200	2-15/16	75	5-3/4	146	6	152	5/8	16	1-1/8	29	2	51	2-3/4	70	2-13/16	71	3	76	3/8	3/8		

Model	L		W		H		A**		B*		C		D		E		F		G		H		I		J		K	
	in.	mm	in.	mm	in.	mm	in.	mm	in.	mm	in.	mm	in.	mm	in.	mm	in.	mm	in.	mm	in.	mm	NPT	NPT	in.	mm		
V-100	3-7/8	98	1-11/16	43	2	51	3	76	1/4	6	7/16	11	3/4	19	1	25	5/8	16	1-5/16	33	1-11/16	43	—	1/8	—	—		
V-130	4-7/8	124	1-15/16	49	2-5/16	59	4	102	3/8	10	7/16	11	15/16	24	1-1/4	32	3/4	19	1-1/2	38	1-15/16	49	—	1/8	—	—		
V-190	5-1/16	129	2-3/16	56	3-3/16	81	4	102	3/8	10	9/16	14	1-5/16	3	1-3/4	44	7/8	22	2	51	2-5/8	67	1/4	1/4	—	—		
V-250	5-9/16	141	2-7/16	62	3-1/2	89	4	102	1/2	12	9/16	14	1-1/2	38	1-7/8	48	3/4	19	2-1/4	57	2-15/16	87	1/4	1/4	—	—		
V-320	5-9/16	141	2-3/4	70	4-7/8	124	4	102	1/2	12	3/4	19	1-1/2	38	2-3/4	70	1-3/8	35	2-3/8	60	4-1/4	105	3/8	3/8	—	—		
V-380	6-3/4	171	2-15/16	75	4-7/8	124	5-1/2	140	3/8	10	3/4	19	2-3/8	60	2-1/2	64	1-1/2	38	2-7/8	73	3-7/8	98	3/8	3/8	1-1/4	32		

* Max. mounting bolt diameter ** Alternate bolt patterns available. Consult factory. NOTE: Material, Dimensions & Data subject to change without notice • Dimensions ±1/16"

ALL STEEL MODEL 50 PNEUMATIC FLANGE MOUNTED PISTON



- Exhaust Manifolds
- Long Stroke

MODEL 50

- All Steel for Extended Life
- Bolt Isolation Design for Longer Life
- Dual Action - Impacting on Both Up and Down Stroke for Added Force

MODEL 55, PISTON AIR

- One Piece Housing Design
- Economical
- Impacting on Down Stroke

Model 50 and 55 standard impact pistons are the most popular piston series because of their high impact linear force, and efficient energy transfer. This assures the flow of materials through bins, chutes, and weigh batchers; compacts powdered and viscous materials in containers or forms; and activates screens and precipitators.

Exhaust Silencer & Dust-proofer reduces exhaust noise and protects working parts of the vibrator in dusty conditions for lower maintenance and prolonged life. Threaded exhaust is ideal for closed sanitary system.

Model 50-S & 55-S Silent Operating Piston Vibrators are ideal in areas where noise is objectionable because the piston impact is eliminated by a cushion of air at both ends. High thrust oscillatory action permits operation even in low air pressures. Use next larger size when silent units are used in place of impact units.

Model 50-L, extra-long body for high amplitude, high force and lower frequency vibration – best for moving fluffy, low density and wet or sticky materials. Available with Exhaust Silencers. Dustproofers are available for lower maintenance and prolonged life

Model 50-2EP, Extended Piston has a 5/8" stroke and threaded extension for attaching rods or bumpers. Ideal for use on portable tote bins or hoppers.

For greater force, increase piston diameter size - 1", 1-1/4", 1-1/2", 2", 3".

Technical Data - Model 50 & 55

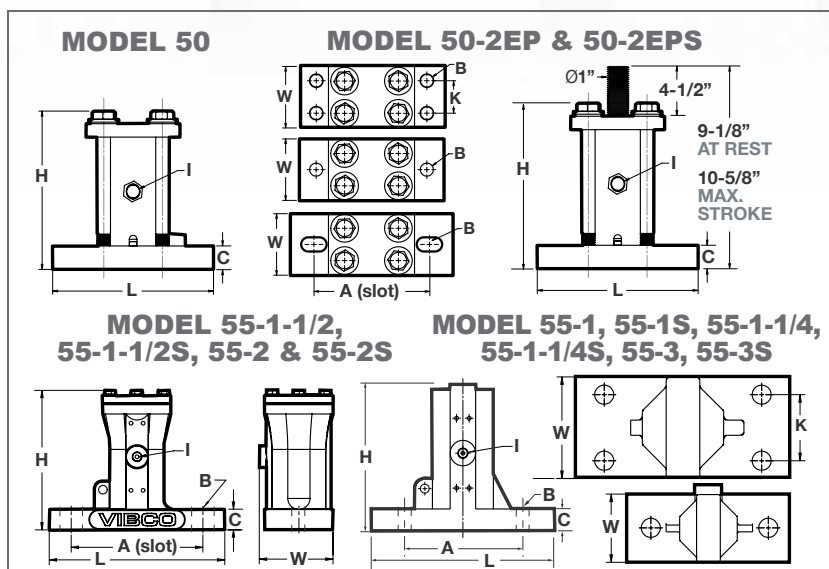
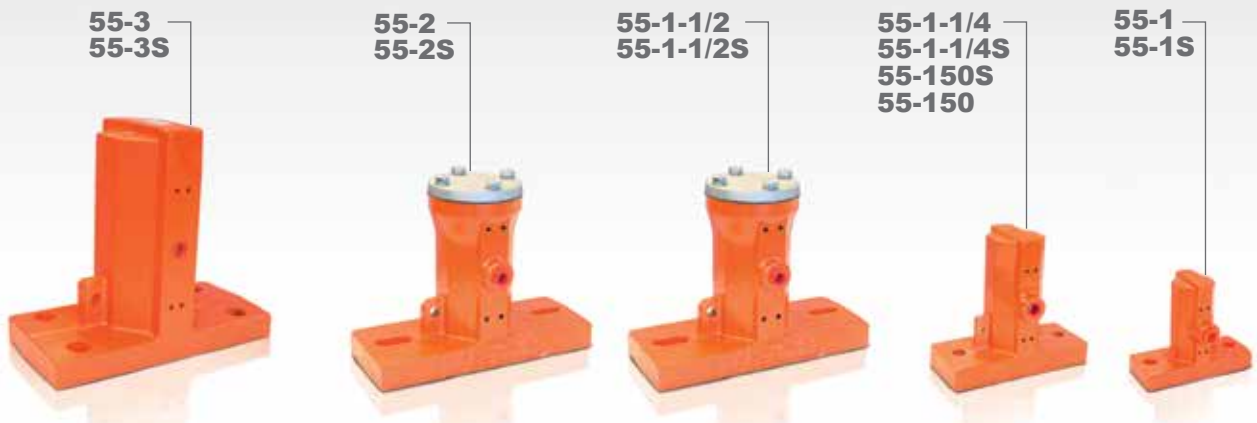
50 & 55 Models	Weight				40 PSI (2.8 Bar)		60 PSI (4 Bar)		80 PSI (5.5 Bar)		Max. Weight* of Material in Bin Slope Area			
	Model 50		Model 55		Vibration per min.	Cubic ft. per min.	Vibration per min.	Cubic ft. per min.	Vibration per min.	Cubic ft. per min.	lbs.		kg.	
	lbs.	kg.	lbs.	kg.							Min.	Max.	Min.	Max.
1	5.0	2.3	3.5	1.6	6,500	3.5	9,000	4.0	11,000	5.0	200	400	90	180
1S**	5.0	2.3	3.5	1.6	3,900	3.5	5,400	4.0	6,500	5.0	100	200	45	90
1-1/4	11.0	5.0	9.0	4.1	4,000	5.0	5,500	7.0	7,000	9.0	400	1,000	180	455
1-1/4S**	10.0	4.5	8.0	3.6	2,400	5.0	3,300	7.0	4,200	9.0	200	400	90	180
55-150	—	—	9.0	4.1	3,600	5.5	4,600	7.5	5,200	9.5	500	2,500	225	1,150
55-150S**	—	—	9.0	4.1	2,400	5.0	2,700	7.0	3,000	9.0	300	700	135	320
1-1/2	17.0	7.7	21.0	9.5	2,800	6.5	4,000	9.0	5,200	11.0	1,000	4,000	455	1,815
1-1/2S**	16.0	7.3	20.0	9.1	1,700	6.5	2,400	9.0	3,200	11.0	400	1,000	180	455
2	23.0	10.4	20.0	9.1	3,200	7.5	4,000	12.0	5,000	15.0	4,000	10,000	1,815	4,535
2S**	23.0	10.4	19.0	8.6	1,950	7.5	2,400	12.0	3,000	15.0	1,000	4,000	455	1,815
2L	26.0	11.8	—	—	1,600	17.0	2,000	26.0	2,400	31.0	8,000	20,000	3,630	9,070
2LS**	25.0	11.3	—	—	950	17.0	1,200	26.0	1,500	31.0	4,000	10,000	1,815	4,535
3	51.0	23.1	45.0	20.4	2,700	18.0	3,200	25.0	3,800	30.0	10,000	30,000	4,535	13,610
3S**	50.0	22.7	44.0	20.0	1,650	18.0	1,950	25.0	2,300	30.0	8,000	20,000	3,630	9,070
3L	62.0	28.1	—	—	1,350	31.0	1,500	42.0	1,700	51.0	20,000	70,000	9,070	31,750
3LS**	61.0	27.7	—	—	800	31.0	900	42.0	1,000	51.0	10,000	30,000	4,535	13,610

* Rule of thumb for sizing: One lb. vibrator force to each 10 lbs. of bin content at 80 PSI

** S indicates Silent, Cushion Impact for quiet operation

NOTE: • Data obtained on laboratory test block
• Frequency and force will vary with quality of air, unit lubrication, and rigidity of mount
• Data subject to design changes

ONE PIECE HOUSING MODEL 55 EXHAUST MANIFOLD - LINEAR FORCE



VIBCO Piston Vibrators provide high impact and efficient energy transfer to ensure a smooth flow of material through bins, chutes, weigh batchers and more.

Dimensions

Model 50	L		W		H		A**		B*		C		I		K	
	in.	mm	in.	mm	in.	mm	in.	mm	in.	mm	in.	mm	NPT	in.	mm	
50-1"	4-1/2	114	2	51	4-9/16	116	3-1/2	89	1/2	13	5/8	16	1/8	-	-	
50-1-1/4"	6	152	2-1/2	64	6-1/2	165	4-1/2	114	1/2	13	3/4	19	1/4	-	-	
50-1-1/2"	7-1/2	190	3	76	7-15/16	202	6	152	3/4	19	3/4	19	1/4	-	-	
50-2"	9	229	3-1/2	89	7-15/16	202	6 to 7-1/2	152 to 191	3/4	19	3/4	19	1/4	-	-	
50-2L"	9	229	3-1/2	89	9-7/16	240	6 to 7-1/2	152 to 191	3/4	19	3/4	19	1/4	-	-	
50-2EP	9	229	3-1/2	89	†	†	6 to 7-1/2	152 to 191	3/4	19	3/4	19	3/8	-	-	
50-3"	10-1/2	267	4-1/2	114	10-1/2	267	8-7/16	214	3/4	19	1	25	1/2	2-1/2	64	
50-3L"	10-1/2	267	4-1/2	114	13-1/2	343	8-7/16	214	3/4	19	1	25	1/2	2-1/2	64	
50-CLE-3L"	10-1/2	267	4-1/2	114	13-1/2	343	8-7/16	214	3/4	19	1	25	1/2	2-1/2	64	
Model 55	L		W		H		A**		B*		C		I		K	
55-1"	4-1/2	114	2	51	3-7/8	98	3-1/2	89	1/2	13	5/8	16	1/8	-	-	
55-1-1/4" & 55-150	6	152	2-1/2	64	5-5/8	143	4-1/2	114	1/2	13	7/8	22	1/4	-	-	
55-1-1/2"	9	229	3-1/2	89	7-1/4	184	6 to 7-1/2	152 to 191	5/8	16	1-1/8	29	1/4	-	-	
55-2"	9	229	3-1/2	89	7-1/4	184	6 to 7-1/2	152 to 191	5/8	16	1-1/8	29	1/4	-	-	
55-3"	10-1/2	267	5	127	9-7/16	240	7-3/4	197	7/8	22	1-1/8	29	3/8	3-1/4	83	

* Max. mounting bolt diameter
† See 50-2EP Diagram

** Range of size indicates slotted mounting holes
Alternate bolt patterns available. Consult factory.

NOTE: • Material, Dimensions & Data subject to change without notice
• Dimensions ±1/16"

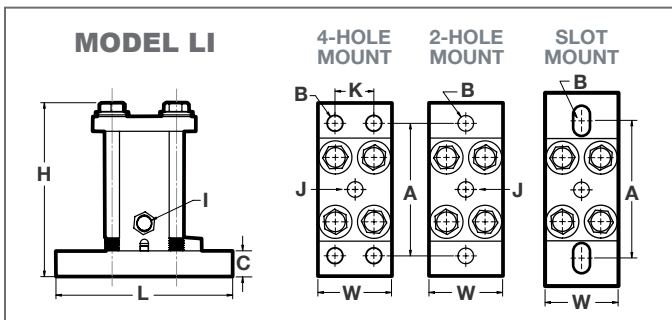
SINGLE IMPACT MODEL LI PNEUMATIC FLANGE MOUNT PISTONS



Model LI is a high energy impactor with adjustable impacts which are controlled through air pressure, a timer and solenoid. Low in operating cost – used to break up material bridges and ratholes in bins, hoppers, chutes, feeders. Units are shipped with plug over NPT Outlet. Remove before using. If needed, piston can be accessed from the top of the unit with removal of 4 nuts. Timer, solenoid, lubricator, hose and recommended muffler sold separately.



The LI Piston is used when an adjustable impact is desired to break up material bridges or ratholes.



Dimensions

Model	PISTON DIA.		L		W		H		A**		B*		C		I	J	K	
	in.	mm	in.	mm	in.	mm	in.	mm	in.	mm	in.	mm	in.	mm	NPT	NPT	in.	mm
LI-10	1-1/4	32	6	152	2-1/2	64	8-9/16	217	4-1/2	114	1/2	13	7/8	22	3/8	3/8	-	-
LI-16	2	51	9	229	3-1/2	89	9-1/4	235	6 to 7-1/2	152	3/4	19	3/4	19	1/2	1/2	-	-
LI-24	3	76	10-1/2	267	4-1/2	114	13-9/16	344	8-7/16	214	3/4	19	1	25	1/2	1/2	2-1/2	64

* Max. mounting bolt diameter

** Available with larger base plate. Range of size indicates slotted mounting holes. Alternate bolt patterns available. Consult factory.

NOTE: • Material, Dimensions & Data subject to change without notice
• Dimensions $\pm 1/16"$
• Engineered dimensional drawings available on request

Technical Data

LI Models	Weight		80 PSI (5.5 Bar)					Max. Weight* of Material in Bin Slope Area	
	lbs.	kg.	Max Pulse Rate per Minute	Cubic Ft. per Stroke	Max. Cubic ft. per Minute	Energy per Impact ft/lbs	Energy per Impact Nm	lbs.	kg.
LI-10	11.8	5.4	200	0.014	2.80	14	19.0	10,000	4,535
LI-16	23.6	10.7	160	0.019	3.04	48	65.1	20,000	9,070
LI-24	57.5	26.1	110	0.049	5.39	98	132.9	60,000	27,215

* Rule of thumb for sizing: One lb. vibrator force to each 10 lbs. of bin content at 80 PSI

NOTE: • Data obtained on laboratory test block
• Frequency and force will vary with quality of air, unit lubrication, and rigidity of mount
• Data subject to design changes

MODEL MP-50, MP-62, MP-75 END MOUNTED MINI PISTONS



- Threaded Inlet & Outlet Holes
- Air Discharge Through Exhaust Manifold
- Quiet, Meets OSHA Standards
- Steel Core Construction for Long Life
- Fits Competitive Brands

The MP Series features a lightweight aluminum body. The steel piston glides in a steel interior cylinder for long life expectancy. The MP line supplies a linear force which is particularly good for small feeder applications.

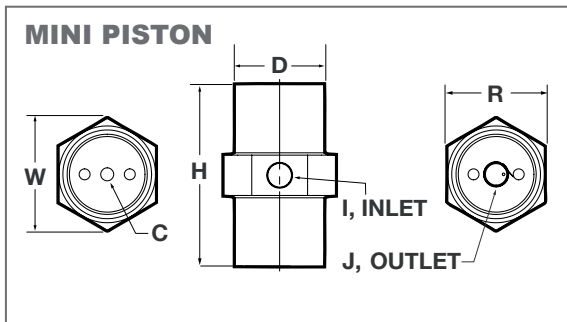
The MP Series is light in weight. It's high force to weight output makes it ideal for all type of applications in chemical and parts feeding industries.

For clean room applications, like in laboratories, the discharge port can be equipped with an air hose leading away exhaust air.

Pressure as low as 20-30 psi will operate the piston. MP units can operate in any position.

Mini Pistons require lubrication for long life.

With it's high force to weight output, an MP unit is perfect for small hoppers (shown right) as well as bins and feeders.



Technical Data

Model	Weight		30 PSI (2 Bar)		60 PSI (4 Bar)		90 PSI (6.2 Bar)		Sound*
	lbs.	kg.	Vibration /min.	Cubic ft./min.	Vibration /min.	Cubic ft./min.	Vibration /min.	Cubic ft./min.	
MP-50	0.75	0.34	4000	0.02	5400	0.14	6400	0.65	50
MP-62	1.00	0.45	3400	0.15	4500	0.98	5500	1.75	55
MP-75	1.50	0.68	2600	0.20	3300	1.75	4000	3.00	65

* Decibel from A-scale at 1 meter and 90 PSI
 NOTE: • Data obtained on laboratory test block
 • Frequency and force will vary with quality of air, unit lubrication, and rigidity of mount
 • Data subject to design changes

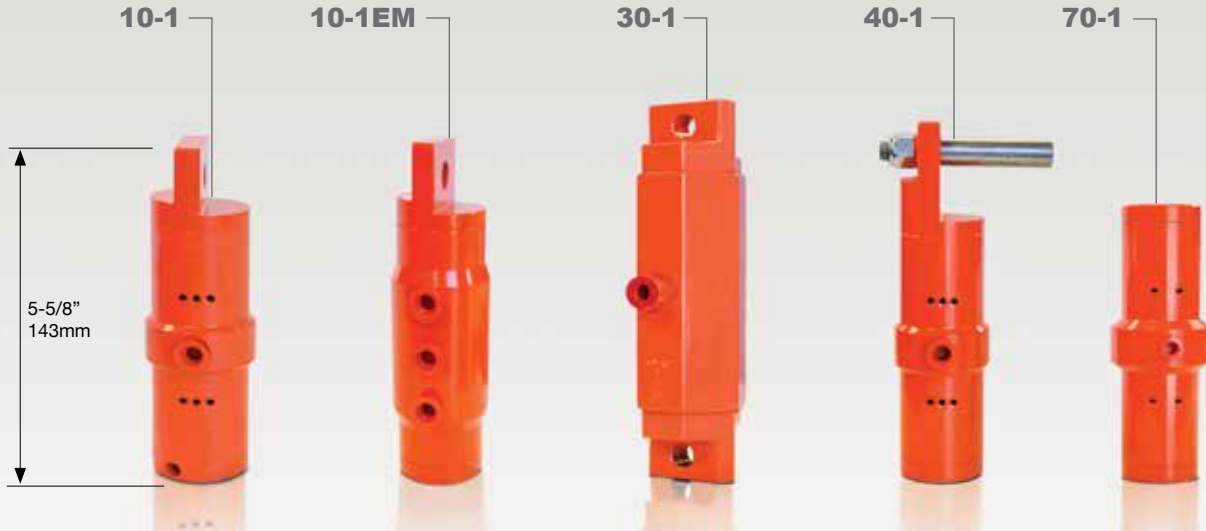
Dimensions

Model	PISTON DIAMETER	H		H (S)**		H (L)**		D DIAMETER	R HEX	W WIDTH	C MOUNT		I INLET	J* OUTLET			
		LENGTH	LENGTH	LENGTH	LENGTH	SAE	mm										
		in.	mm	in.	mm	in.	mm				in.	mm					
MP-50	1/2	13	3-3/16	81	2-13/16	71	3-11/16	94	1-3/8	35	1-1/2	38	1-3/4	44	1/4"- 20	1/8	1/4
MP-62	5/8	16	3-11/16	94	3-3/16	81	4-5/16	109	1-9/16	40	1-3/4	44	2	51	3/8"- 16	1/8	1/4
MP-75	3/4	19	4-9/16	116	3-7/8	98	5-5/16	135	1-7/8	48	2	51	2-5/16	59	1/2" - 13	1/8	1/4

* Contact VIBCO for thread options. Metric threads available.
 ** These units can also be supplied on special order with small length H(S) or longer H(L). Consult factory.

NOTE: • Material, Dimensions & Data subject to change without notice
 • Dimensions ±1/16"
 • Engineered dimensional drawings available on request

PNEUMATIC END MOUNTED PISTON VIBRATOR



MODEL 10 END MOUNTED PISTON VIBRATOR: Single attaching head is the basic unit for foundry match plate applications. Available in 5/8, 3/4, 1, 1-1/4, & 1-1/2" piston diameter.

MODEL 30 END MOUNTED PISTON VIBRATOR: Double attaching head for core box machines and applications needing more vibration transfer.

MODEL 40 END MOUNTED PISTON VIBRATOR: Stud head vibrator ideal for easy movability on small concrete forms or bins.

MODEL 44 WEDGE HEAD VIBRATOR: Railroad carshakers have wedge bracket to fit railroad car's female "dove-tail" bracket. Available in 3". See page 56 and 57 for additional Railroad Carshakers.

MODEL 70 END TAPPED VIBRATOR: End tapped with SAE or Metric Thread for attaching to threaded rod or stud. Model 70 can be supplied in many variations; silent (air cushioned) or impacting (piston hitting end cap) with exhaust port for attaching a muffler or air hose to lead off exhausting air. The all-steel construction assures a long life. Model 70 is an inexpensive solution for moving material in small bins and hoppers as well as screens and small feeders. Force and frequency will vary with air pressure. To order, specify SAE or Metric thread; S is for Silent Units and EM is for Exhaust Manifold if required.

MODEL 80: END MOUNTED PISTON VIBRATOR - "BIG RED": The new revolutionary lightweight all-steel design makes it the most inexpensive unit for the big bin or hopper job, without sacrificing the quality of

the more expensive flange mounted units. The single bolt attachment makes them easy and fast to install. The "BIG RED" is supplied either with a silent (air cushioned) piston or the more powerful impacting (piston hitting end cap) standard unit.

O-rings cover the air exhaust holes keeping dust and dirt out of the piston-cylinder avoiding scoring and damage to piston and cylinder walls and allowing the units to operate in the worst environments. There are four basic models with piston sizes of 1", 1-1/4", 1-1/2" and 2". For smaller sizes see Model 70. An optional eye bolt for a safety chain can be added to unit's top.

Exhaust Manifolds are available on most units. Consult with VIBCO Engineering for more information.

Technical Data

All pneumatic piston vibrators require lubricated air for proper operation and long life.

Piston Dia.	40 PSI (2.8 Bar)		60 PSI (4 Bar)		80 PSI (5.5 Bar)		Max. Weight* of Material in Bin Slope Area			
	Vibration/min.	Cubic ft./min.	Vibration/min.	Cubic ft./min.	Vibration/min.	Cubic ft./min.	lbs.		kg.	
	VPM	CFM	VPM	CFM	VPM	CFM	Min.	Max.	Min.	Max.
5/8	9,500	2.5	12,000	3.0	14,500	4.5	0	100	0	45
3/4	7,500	3.0	10,500	3.5	13,000	5.0	100	200	45	90
1	6,500	3.5	9,000	4.0	11,000	5.0	200	400	90	180
1S**	3,900	3.5	5,400	4.0	6,500	5.0	100	200	45	90
1-1/4	4,000	5.0	5,500	7.0	7,000	9.0	400	1,000	180	455
1-1/4S**	2,400	5.0	3,300	7.0	4,200	9.0	200	400	90	180
1-1/2	2,800	6.5	4,000	9.0	5,200	11.0	1,000	4,000	455	1,815
1-1/2S**	1,700	6.5	2,400	9.0	3,200	11.0	400	1,000	180	455
2	3,200	7.5	4,000	12.0	5,000	15.0	4,000	10,000	1,815	4,535
2S**	1,950	7.5	2,400	12.0	3,000	15.0	1,000	4,000	455	1,815
2L	1,600	17.5	2,000	26.0	2,400	31.0	8,000	20,000	3,630	9,070
2LS**	950	17.5	1,200	26.0	1,500	31.0	4,000	10,000	1,815	4,535
3	2,700	18.0	3,200	25.0	3,800	30.0	10,000	30,000	4,535	13,610
3S	1,650	18.0	1,950	25.0	2,300	30.0	8,000	20,000	3,630	9,070

* Rule of thumb for sizing: One lb. vibrator force to each 10 lbs. of bin content at 80 PSI
 ** S indicates Silent, Cushion Impact for quiet operation

NOTE: • Data obtained on laboratory test block
 • Frequency and force will vary with quality of air, unit lubrication, and rigidity of mount
 • Data subject to design changes

MODELS 10, 30, 40, 70, 80 ROUND & HEX HOUSINGS



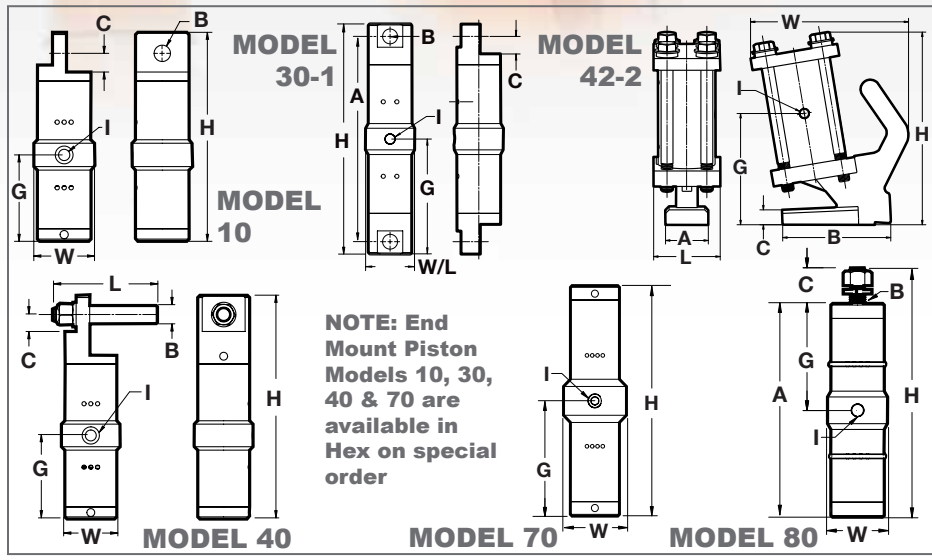
80-2



44-3



42-2



Vibrators used in tandem. All pneumatic piston vibrators require lubricated air for proper operation and long life. Low draw units like these 70-1's can share an air line and still run effectively.

Dimensions

Model	Weight		L		W		H		A		B*		C		G		I		J	
	lbs.	kg.	in.	mm	in.	mm	in.	mm	in.	mm	in.	mm	in.	mm	in.	mm	NPT	NPT		
80 - 1	2.1	1.0	1-5/8	41	1-5/8	41	5-7/8	149	-	-	1/2-20 SAE	-	1-1/4	32	2-5/16	59	1/8	-		
80 - 1-1/4	5.5	2.5	2-1/4	57	2-1/4	57	9-3/8	238	-	-	3/8-16 SAE	-	1-5/16	33	4	102	1/4	-		
80 - 1-1/2	3.8	1.7	2-1/4	57	2-1/4	57	9-5/16	237	-	-	5/8-18 SAE	-	1-5/16	33	4	102	1/4	-		
80 - 2	7.8	3.5	2-1/4	57	2-1/4	57	9-5/16	237	-	-	7/8-15 SAE	-	1-3/8	35	4	102	1/4	-		
70 - 5/8	1.2	0.5	1-5/16	33	1-1/8	29	4-3/4	120	-	-	5/16-24 SAE	-	3/4	19	2-3/8	60	1/8	1/4**		
70 - 3/4	1.8	0.8	1-5/8	41	1-3/8	35	4-3/4	120	-	-	3/8-24 SAE	-	7/8	22	2-3/8	60	1/8	1/4**		
70 - 1	2.0	0.9	1-5/8	41	1-5/8	41	4-5/8	117	-	-	1/2-20 SAE	-	5/8	16	2-3/8	60	1/8	1/4**		
70 - 1-1/4	5.4	2.5	2-1/4	57	2-1/4	57	8	203	-	-	1/2-20 SAE	-	5/8	16	4	102	1/4	1/4**		
44-3	57.1	25.9	6	152	10	254	13	330	6	152	-	-	1	25	7-1/2	191	1/2	-		
42-2	27.1	12.3	3-1/2	89	8-3/8	213	11-1/2	292	2-1/4	57	-	-	3/4	19	6-15/16	177	1/4	-		
40 - 1	1.9	0.9	2-7/8	73	1-5/8	41	6-3/16	157	-	-	1/2	13	7/16	11	2-5/16	59	1/8	-		
40 - 1-1/4	6.7	3.0	6	152	2-1/4	57	9-1/2	241	-	-	1	25	7/8	22	4	102	1/4	-		
30 - 5/8	1.5	0.7	1-1/4	32	1-1/8	29	6-5/16	160	5-3/8	137	5/16	8	1/2	12	3-1/8	79	1/8	-		
30 - 3/4	2.2	1.0	1-1/4	32	1-1/4	32	6-5/16	160	5-3/8	136	3/8	10	1/2	12	3-3/16	81	1/8	-		
30 - 1	2.3	1.0	1-7/8	48	1-5/8	41	6-9/16	167	5-3/8	162	3/8	10	1/2	12	3-1/4	83	1/8	-		
30 - 1-1/4	6.2	2.8	2-5/16	59	2-1/4	57	10-1/2	267	9-1/8	232	1/2	13	3/4	19	5-1/4	133	1/4	-		
30 - 1-1/2	7.5	3.4	2-1/4	57	2-1/4	57	11-3/8	289	9-1/2	241	5/8	16	7/8	22	5-3/8	137	1/4	-		
10 - 5/8	1.4	0.6	1-5/16	33	1-1/4	32	5-1/2	140	-	-	5/16	8	1/2	12	-	-	1/8	-		
10 - 3/4	2.1	1.0	1-5/8	41	1-5/8	41	5-1/2	140	-	-	3/8	10	1/2	12	-	-	1/8	-		
10 - 1	2.1	1.0	1-7/8	48	1-7/8	48	5-5/8	143	-	-	3/8	10	1/2	12	-	-	1/8	-		
10 - 1-1/4	5.8	2.6	2-5/16	59	2-5/16	59	9-1/4	235	-	-	1/2	13	11/16	18	-	-	1/4	-		
10 - 1-1/2	7.0	3.2	2-15/16	75	2-1/2	64	9-11/16	246	-	-	5/8	16	7/8	22	-	-	1/4	-		

* Max. mounting bolt diameter ** For EM Models Only NOTE: Material, Dimensions & Data subject to change without notice • Dimensions ±1/16"

HIGH FREQUENCY PNEUMATIC CONVENTIONAL MODELS SVR, SVRF



- Can be Designed to Start in Any Position
- High Frequency, High Force
- Patented Silent Design
- Patented “Air Saver” Chamber
- Patented Wear Plates

Vibco features two models: The “SILENT” and a “conventional” High Frequency Pneumatic Vibrator.”

HOW IT WORKS - A rotor spins around the shaft in the Conventional model or spins freely and silently in a circular race in the Silent Models. Additional muffler pads in the outer End Cover dampen the noise of the exhausting air.

CONVENTIONAL SVR Units are simple in design and low cost with a dB reading of 95 to 110. **SILENT SVRS** units perform with a dB reading of 80-85.

VIBCO Patented designs feature;

1. Will start **EVERY TIME** by just cracking the air line valve open. No blast of air is necessary.
2. The Patented **WEAR PLATE** between rotor and end cover is made out of spring steel and will not wear, assuring a long maintenance free operation, avoiding costly end cover repairs.



The SVRL Units shown here are being used to strengthen a concrete retaining wall. The Lug Bracket also shown, makes it an ideal solution for portability.

3. The Patented **AIR SAVER CHAMBER** does not exhaust all the compressed air before the next cycle which lowers the units air consumption.
- Ask for Catalog #0103 External Walls and Columns or Catalog #8401 Handbook & Equipment Guide External Concrete Vibration.

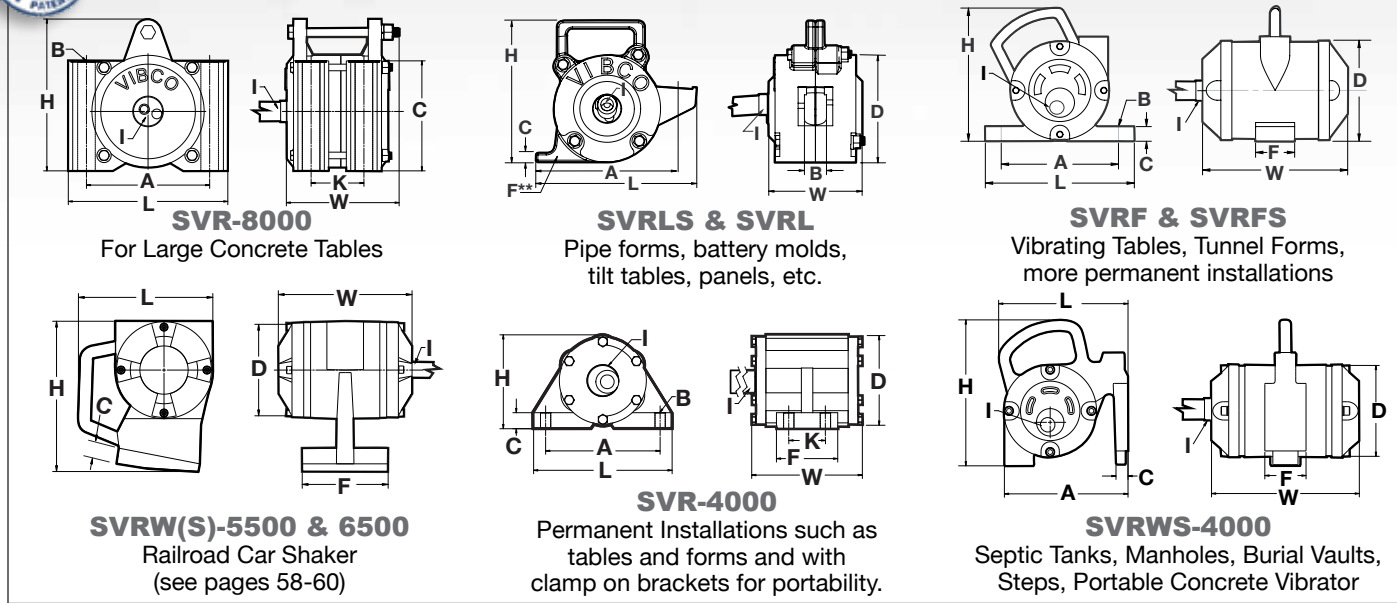
Technical Data

Model	Weight		80 PSI (5.5 Bar)			90 PSI (6.2 Bar)			100 PSI (6.9 Bar)			Cubic ft. /min.	Sound*
			Vibration /min.	Centrifugal Force		Vibration /min.	Centrifugal Force		Vibration /min.	Centrifugal Force			
	lbs.	kg.	VPM	lbs.	Newtons	VPM	lbs.	Newtons	VPM	lbs.	Newtons	CFM	dB
SVRFS-2000 SVRWS-2000	19 20	8.62 9.07	11,500	3,600	16,000	12,500	4,000	17,800	13,500	4,400	19,500	40	78
SVRFS & LS-4000 SVR-4000	22 23	10.0 10.4	11,500	3,600	16,000	12,500	4,000	17,800	13,500	4,400	19,500	40	78 90
SVRLS-5500 SRL-5500	43 33	19.5 15.0	9,000	4,950	22,000	10,000	5,500	24,500	10,500	6,100	27,100	56	78 82
SVRLS-6500 SRL-6500	45 39	20.4 17.8	8,800	5,575	24,800	9,500	6,500	28,900	10,000	7,200	32,000	58	80 98
SVRLS-8000 SVR-8000	47 51	21.3 23.1	8,500	7,625	33,900	8,700	8,000	35,600	9,500	9,550	42,500	62	82 98
SVRWS-4000	23	10.4	11,500	3,600	16,000	12,500	4,000	17,800	13,500	4,400	19,500	40	78
SVRWS-5500	60	27.5	10,000	4,950	22,000	10,000	5,500	24,500	10,500	6,100	27,100	56	82
SVRWS-6500	61	28.0	8,800	5,545	24,800	9,500	6,500	28,900	10,000	7,200	32,000	58	85

* Decibel from A-scale at 1 meter and 90 PSI.

NOTE: • Data obtained on laboratory test block
• Frequency and force will vary with quality of air, unit lubrication, and rigidity of mount
• Data subject to design changes

SILENT MODELS SVRS SVRFS, SVRLS, SVRWS



Dimensions

Model	L		W		H		A		B*		C		D		F**		K		I
	in.	mm	in.	mm	in.	mm	in.	mm	in.	mm	in.	mm	in.	mm	in.	mm	in.	mm	SAE
SVR-4000	7-1/2	191	6-1/8	156	5	127	6-1/4	159	1/2	12	7/8	22	4-7/8	124	3-7/16	87	2	51	5/8-18
SVR-5500	7	178	6-1/16	154	7-3/8	187	7	178	-	-	3/4	19	5-3/8	137	3-1/2	89	-	-	5/8-18
SVRL-5500, 6500	9-1/2	241	6-1/8	156	9-1/4	235	8	203	1	25	3/4	19	6-1/2	165	1-1/4	32	-	-	5/8-18
SVRF-5500	10-1/4	260	6-1/8	156	8-1/8	206	8	203	3/4	19	1-1/8	29	5-3/8	137	3-1/4	83	-	-	5/8-18
SVR-8000	9-3/8	238	6-3/8	162	9	229	7	178	3/4	19	6-1/2	165	-	-	3-1/8	79	3-1/2	89	5/8-18
SVRFS-2000, -4000	7-11/16	195	7-3/8	187	7-1/8	181	6	152	11/16	17	3/4	19	5-1/8	130	2-1/16	52	-	-	5/8-18
SVRLS-2000, -4000	7	178	8	203	7-1/2	190	6	152	3/4	19	1/2	13	5	127	1-1/4	32	-	-	5/8-18
SVRLS-5500, 6500, 8000	9-1/2	241	8-1/16	205	9-1/4	235	7-3/4	197	1	25	3/4	19	6-3/8	162	1-1/4	32	-	-	5/8-18
SVRWS-4000	7-3/4	197	8-1/16	205	6-7/8	175	5-1/8	130	-	-	1	25	5-1/8	130	2-3/16	56	-	-	5/8-18
SVRW(S)-5500, 6500 Rail Road Car Shaker	8-5/8	219	8-5/8	219	9-7/8	251	11	279	-	-	1-1/8	29	6-1/8	156	5-1/2	140	-	-	5/8-18

* Max. mounting bolt diameter
** Foot width

NOTE: • Material, Dimensions & Data subject to change without notice
• Dimensions ±1/16"
• All units use a 3/4" hose with 5/8-18 SAE threads supplied by VIBCO

HIGH FREQUENCY MODEL SVRX PNEUMATIC CONCRETE FORM VIBRATORS



- **Low Cost**
- **Fits Every Concrete Form System on the Market Today**
- **Light in Weight and Easy to Move from Form to Form or Job Site to Job Site**
- **Starts Every Time**
- **Patented Wear Plates for Long Life**

MODEL SVRX comes with mounting bracket to be welded onto the customers MEVA, PERI, DOKA form brackets or welded on permanently to form stiffeners. The SVRX was designed to fit any form bracket used by the form manufacturer. It is light weight and made an integral part of the bracket and is easy to move from position to position on the form. Their low cost makes them affordable to be permanently mounted on the form eliminating someone continually having to move them. The patented "Start every time" feature makes the unit start by just cracking the air valve. Other units on the market require a blast of air for starting. The patented "Wear plate design" assures the unit of long, maintenance free life and eliminates costly end plate repairs.

Ask for
Catalog
#0103

Ask for
VIBCO's
Concrete
Handbook

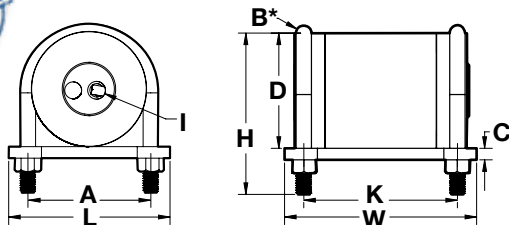


VIBCO's standard SVRX-4000 provides up to 8" of vibration penetration at 9-11000 VPM. Using 80 to 120 PSI air pressure, the SVRX 4000 produces 4000 lbs. of force. Lubrication is necessary for long life. Ask about VIBCO's in-line lubricators.

Technical Data

Model	Weight		80 PSI (5.5 Bar)		100 PSI (6.9 Bar)		120 PSI (6.2 Bar)		Centrifugal Force	
	lbs.	kg.	VPM	CFM	VPM	CFM	VPM	CFM	lbs.	Newtons
SVRX-4000	19	8.6	9,000	28	10,000	32	11,000	38	4,000	17,800

NOTE: • Data obtained on laboratory test block • Data subject to design changes
• Frequency and force will vary with quality of air, unit lubrication, and rigidity of mount



Dimensions (bracket included)

Model	L		W		H		A		B*		C		D		K		Inlet I
	in.	mm	in.	mm	in.	mm	in.	mm	in.	mm	in.	mm	in.	mm	in.	mm	SAE
SVRX-4000	5-1/4	133	6-1/4	159	5-1/4	133	4	102	1/2	13	3/8	10	3-3/4	95	5	127	5/8-18

* Bolt Size - SAE 1/2-13

NOTE: • Material, Dimensions & Data subject to change without notice
• Dimensions ±1/16"

HIGH FREQUENCY MODEL SVR ON THE JOB APPLICATIONS



VIBCO Vibrators are right at home in concrete applications whether it be for columns, walls, slabs, foundations, or precast. Below, our **Model SVRFS** (page 30-31) with **Stik-It™ Mount** (page 65) is being used for bridge repair in RI, and at left, mounted onto a concrete column form. Above, our **SVRWS** (page 30-31) is being used with a **UWF bracket** for excellent transfer of vibration. VIBCO has brackets that will work well with any concrete form including wood.



VIBCO PNEUMATIC & HYDRAULIC FORCES TO 3500 LBS.



- Air & Hydraulic
- Forces to 3500 lbs.
- Continuous Duty

- Speeds from 5600 to 9000 VPM
- Adjustable Speed
- Foot & Clamp Mount

HYDRAULIC & PNEUMATIC

PF-3500 & BIG BUSTER PC-3500 (Pneumatic), **HF-3500 & HC-3500** (Hydraulic)

A patented vibration isolating coupling is mounted between the eccentric shaft and the motor drive shaft eliminating any vibration transfer through the shaft. Another vibration isolating coupling is connected between the vibrator housing and the motor housing eliminating all vibration transfer.

Advantages - With this unique patented design, premature failure of the drive unit is eliminated, and the full life can be expected, which will drastically add to the unit life and eliminate costly shutdowns and maintenance costs. The unit can now truly be used continuously which is the BIG advantage over competitive units.

General Features - Big Buster vibrators provide high force at low frequency. They are designed for continuous duty. All models are available in pneumatic or hydraulic drive. Big Buster units are designed with sealed bearings. Airline lubrication is required for the air motor vanes.

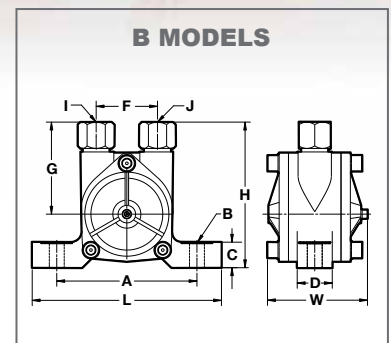
Where to Use? - These units are ideal for the toughest applications from unloading railroad cars to moving materials in bins and hoppers. Precise speed control allows "tuning" of the vibrator for best results in any application. Big Busters are available in clamp on base for portability and bolt-on base for permanent mounting.

HYDRAULIC - VIBCO's hydraulic vibrators operate in any position and are not affected by dirty, muddy or wet locations. They can operate on pressures up to 3000 PSI making them ideal to use with construction equipment for a variety of applications.

MODEL HLF & HL (Hydraulic) The small version of the Big Buster HF-Units are equipped with an internal coupling to maximize the life of the hydraulic motor. These small and powerful high speed 9000 RPM vibrators offer an inexpensive

solution to many material handling problems. HL 3000 same design as the HF - fits LC-1 Lug Bracket. Creates 3000 lbs. force at 7000 RPM - ideal for concrete applications.

MODEL B - PATENTED (Hydraulic) In VIBCO's patented design, hydraulic fluid under pressure drives a specially designed & patented turbine wheel producing high frequency vibration with noise levels as low as 60-62 dB at maximum speed. A real low cost unit ideal for O.E.M equipment.



Technical Data

Pneumatic Models	Weight		60 PSI (4 Bar)			
			Vibration per min.	Cubic ft. per min.	Centrifugal Force	
	lbs.	kg.	VPM	CFM	lbs.	Newtons
PF-800	37	17.0	4,000	11	800	3,560
PF-1200	38	17.4	3,500	21	1,200	5,340
PF-1500	60	27.0	3,500	31	1,500	6,670
PF-PC-3500	71	32.0	3,500	39	3,500	15,570
PLF-3500	40	18.1	5,400	45	5,600	17,000

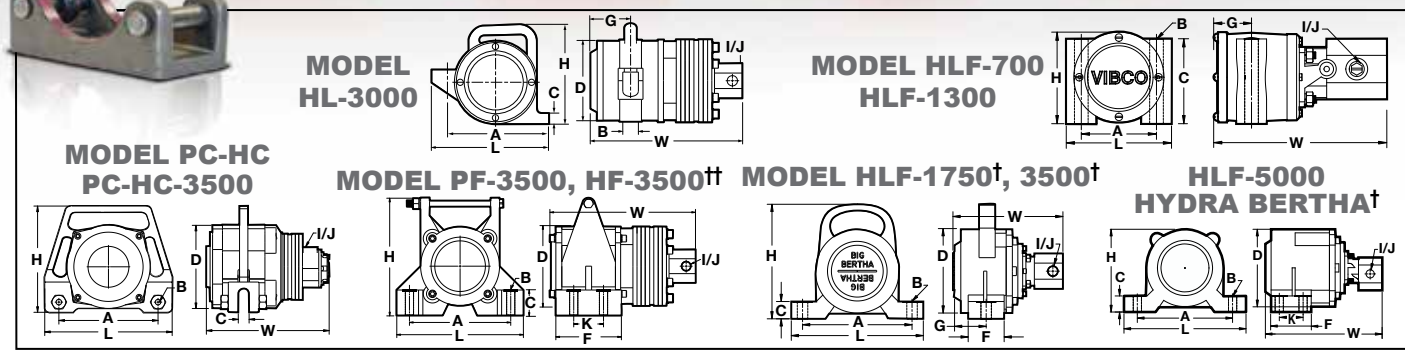
NOTE: Data obtained on laboratory test block • Data subject to design changes • Frequency & force will vary with air quality, unit lubrication, & mount rigidity

Hydraulic Models	Weight		600 PSI (41.4 Bar)			800 PSI (55.2 Bar)			1000 PSI (69 Bar)		
			Vibration /min.	Gallon /min.	Centrifugal Force	Vibration /min.	Gallon /min.	Centrifugal Force	Vibration /min.	Gallon /min.	Centrifugal Force
	lbs.	kg.	max VPM	GPM	lbs. Newtons	max VPM	GPM	lbs. Newtons	max VPM	GPM	lbs. Newtons
B-190	1.0	0.45	4,600	4.5	190 890	6,100	4.8	330 80	7,400	6.5	286 1,272
B-250	2.0	0.91	4,200	4.5	280 1,245	5,000	4.5	400 1,765	5,800	6.5	535 2,375
B-320	3.5	1.60	3,700	5.0	300 1,340	4,500	6.0	445 1,980	5,300	7.0	615 2,745

Hydraulic Models	Weight		Avg. Pressure	Vibration/min.	Gallon/min.	Centrifugal Force		Sound*
	lbs.	kg.	PSI	max VPM	GPM	lbs.	Newtons	dB
HF-800	37	17.0	600	5,000	3.2	1,300	5,785	72
HF-1200	38	17.4	800	4,500	2.9	1,900	8,450	74
HF-1500	39	17.7	900	4,000	2.6	2,000	8,900	76
HF-HC-3500	51	23.0	1,200	3,500	2.4	3,500	15,570	80
HL-3000	39	17.7	1,000	5,000	3.2	3,400	15,125	76
HLF-700	14	6.5	900	9,000	2.8	700	3,115	72
HLF-1300	20	9.0	1,000	9,000	2.8	1,300	5,785	72
HLF-1750	30	14.0	1,000	5,000	2.6	2,300	10,230	72
HLF-3500	35	16.0	1,200	4,000	2.5	3,500	15,570	72
HLF-5000	41	18.6	1,500	4,000	2.5	4,500	20,020	72

* Decibel from A-scale at 1 meter & avg. PSI (or max. listed value) NOTE: • Data obtained on laboratory test block • Data subject to design changes • Frequency & force will decrease on less rigid mount • Max pressure 3,000 PSI

MODEL B, HL, PF, PLF, PC, HLF, HF, HC



Dimensions

I* (inlet) & J* (exhaust)

Model	L		W		H		A		B*		C		D		F		G		I* & J*		K	
	in.	mm	in.	mm	in.	mm	in.	mm	in.	mm	in.	mm	in.	mm	in.	mm	in.	mm	NPT	in.	mm	
PF-800, 1200, 1500	10-3/8	264	11-1/4	286	8-3/4	222	8-1/2	216	3/4	19	1-3/8	35	6-1/2	165	2-13/16	71	8-1/2	216	1/2	-	-	
PF-3500	10-3/4	273	12-5/8	321	9-1/4	235	8-1/2	216	5/8	16	1-3/8	35	6-5/8	168	4-1/8	105	-	-	1/2	2-1/2	64	
PC-3500	12-1/2	318	12-1/4	311	10-3/4	273	10	254	1-1/4	32	1-3/16	30	6-1/2	165	-	-	-	-	1/2	-	-	
PLF-3500	10-3/8	264	9-1/2	241	8-3/4	223	8-1/2	216	3/4	19	1-3/8	35	6-1/2	165	2-13/16	71	5-3/8	137	-	-	-	

* Max. mounting bolt diameter † See page 45 for more information on Big Bertha units.
 †† PF, HF-800, -1200, & -1500 use compression rings not shown in dimensional drawings. NOTE: Material, dimensions and data subject to change without notice • Dimensions ±1/16"

Model	L		W		H		A		B*		C		D		F		G		I* & J*		K	
	in.	mm	in.	mm	in.	mm	in.	mm	in.	mm	in.	mm	in.	mm	in.	mm	in.	mm	NPT	in.	mm	
B-190	5-1/4	133	3-1/8	79	4-5/8	117	4	102	3/8	104	3/4	19	2-1/2	64	1-13/16	46	3	76	3/8	-	-	
B-250	6-3/4	171	3-5/8	92	5-3/8	137	5	127	1/2	13	1	25	3	76	2-1/4	57	3-3/8	86	1/2	-	-	
B-320	6-7/8	175	3-5/8	92	5-7/8	149	5	127	1/2	13	1-1/8	29	3-1/2	89	2-5/8	67	3-5/8	92	1/2	-	-	

* Max. mounting bolt diameter † See page 45 for more information on Big Bertha units. NOTE: Material, dimensions and data subject to change without notice • Dimensions ±1/16"

Model	L		W		H		A		B*		C		D		F		G		I* & J*		K	
	in.	mm	in.	mm	in.	mm	in.	mm	in.	mm	in.	mm	in.	mm	in.	mm	in.	mm	SAE	in.	mm	
HF-800, 1200, 1500	10-3/8	264	11-1/4	286	8-3/4	222	8-1/2	216	3/4	19	1-3/8	35	6-1/2	165	2-13/16	71	8-1/2	216	3/4-16	-	-	
HF-3500	10-3/4	273	12-5/8	321	9-1/4	235	8-1/2	216	5/8	16	1-3/8	35	6-5/8	168	4-1/8	105	-	-	3/4-16	2-1/2	64	
HC-3500	12-1/2	318	12-1/4	311	10-3/4	273	10	254	1-1/4	32	1-3/16	30	6-1/2	165	-	-	-	-	3/4-16	-	-	
HLF-700	5	127	7	178	4-1/2	114	3-1/2	89	1/2	13	3-7/8	98	-	-	-	-	2-1/2	64	9/16-18	-	-	
HLF-1300	5-3/4	146	7-5/8	194	5	127	4-1/2	114	1/2	13	5	127	-	-	-	-	2-1/2	64	9/16-18	-	-	
HL-3000	9-1/2	241	11-1/4	286	9-1/4	235	7-3/4	197	1	25	3/4	19	6-1/4	159	-	-	3-1/8	79	3/4-16	-	-	
HLF-1750 †	10-1/4	260	8-9/16	217	9	229	8-1/2	216	3/4	19	1-3/8	35	6-1/2	165	2-13/16	71	5-3/8	137	3/4-16	-	-	
HLF-3500 †	10-1/4	260	8-9/16	217	9	229	8-1/2	216	3/4	19	1-3/8	35	6-1/2	165	2-13/16	71	5-3/8	137	3/4-16	-	-	
HLF-5000 †	10-1/4	260	8-9/16	217	7	178	8	203	3/4	19	1-3/8	35	6-1/2	165	3-5/8	92	-	-	3/4-16	2	51	

* Max. mounting bolt diameter † See page 45 for more information on Big Bertha units.
 †† PF, HF-800, -1200, & -1500 use compression rings not shown in dimensional drawings. NOTE: Material, Dimensions & Data subject to change without notice • Dimensions ±1/16"

#VIBCO SOLUTIONS

- ▶ ELECTRIC, PNEUMATIC & HYDRAULIC VIBRATORS
- ▶ AIR CANNONS
- ▶ RAIL ROAD CAR SHAKERS
- ▶ VIBRATING TABLES
- ▶ COMPACTORS & ROLLERS



VIBCO®

VIBRATORS

<http://www.VIBCO.com> • vibrators@vibco.com



#VIBCOsolutions

MADE IN USA 

75 Stilson Road, Wyoming, RI 02898
tel: 401.539.2392 • 800.633.0032

CANADA 

2215 Dunwin Drive, Mississauga, Ont. L5L 1X1
tel: 905.828.4191 • 800.465.9709