

Spare Parts for series **P 210** diameters 10, 16, 25 and 32 mm
series P 230 Cylinder with Guide diameters 16, 25 and 32 mm.
series P 235 Cylinder with Guide and Integrated Brake diameters 25 and 32 mm.
series P 240 Cylinder with Brake diameters 25 and 32 mm
series S-PS Cylinder with Roller Guide diameters 25 and 32 mm

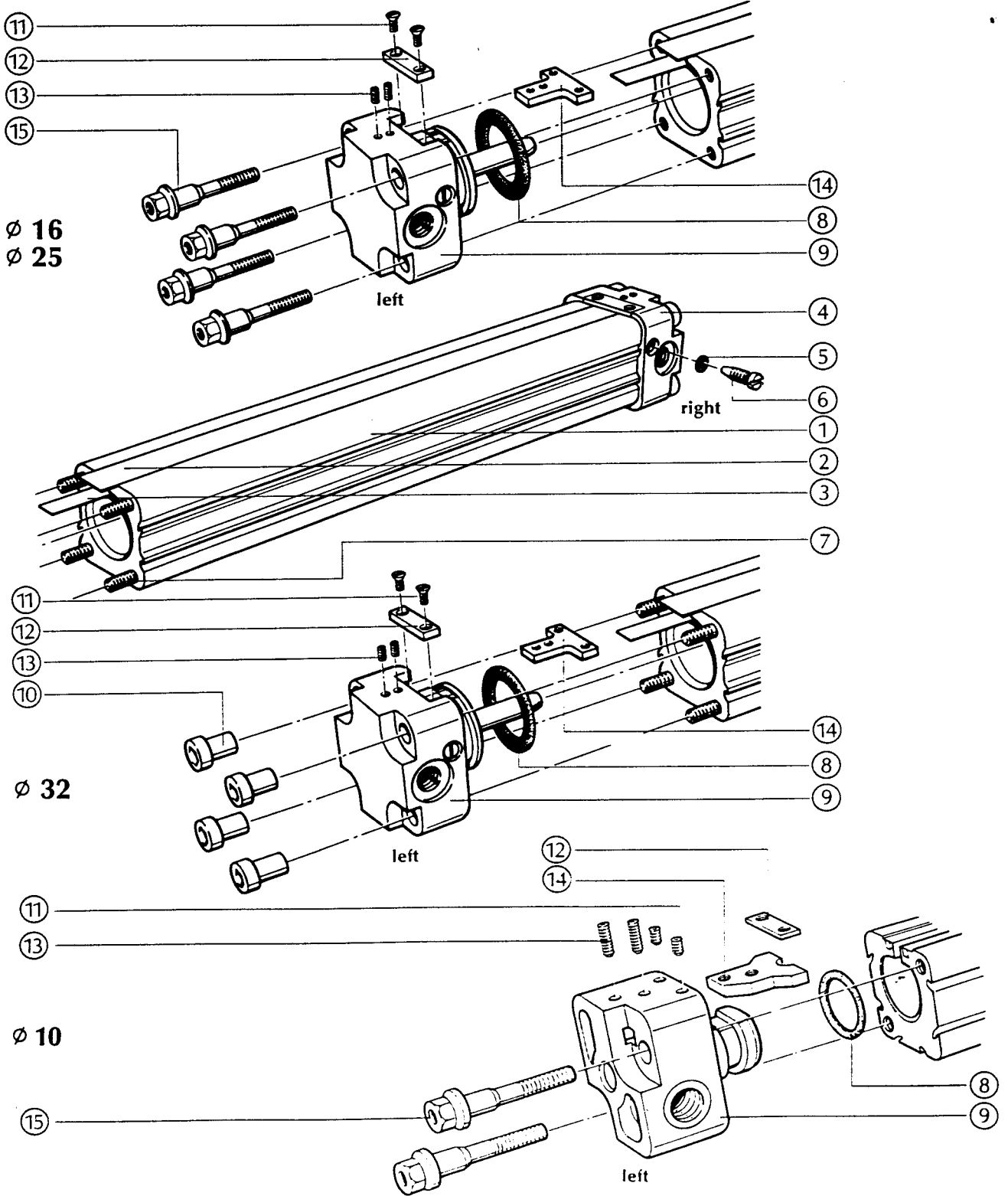
When ordering replacement parts please specify the cylinder series, diameter and stroke length according to the cylinder label.

Service Packs		Ident No.			
Position	Description	∅ 10	∅ 16	∅ 25	∅ 32
2, 3, 5, 8, 20, 21, 24, 26, 31	Service Pack with inner and outer band, standard*	3085	1427	0481	0482
2, 3, 5, 8, 20, 21, 24, 26, 31	Service Pack with inner and outer band, viton*	3086	1428	0491	0492
5, 8, 20, 21, 24, 26, 31	Seal Kit, standard*	3083	1813	2813	3811
5, 8, 20, 21, 24, 26, 31	Seal Kit, viton*	3084	1814	2814	3812

* Service Packs and Seal Kits include lubricating grease.

Individual Spare Parts		Ident No.			
Position	Description	∅ 10	∅ 16	∅ 25	∅ 32
1	Cylinder barrel	3003	1821	2821	-
1, 7	Cylinder barrel with set screws	-	-	-	3821
1, 7	Cylinder barrel with set screws for VO valves	-	-	-	3801
2	Outer band	3008	1822	2822	3822
3	Inner band	3005	1823	2823	3823
4	End cap, right for P 210, P 240	3016	1832	2842	3832
4	End cap, right for P 230, P 235, S-PS	-	3344	1974	1978
4	End cap, right - Viton	3028	-	-	-
5	O-ring, standard	-	0766	1014	1014
5	O-ring, viton	-	0767	1015	1015
6	Cushion needle	-	0734	0409	1033
8	O-ring, standard	3023	0732	1011	1031
8	O-ring, viton	3029	0733	1012	1032
9	End cap, left for P 210, P 240	3015	1831	2841	3831
9	End cap, left for P 230, P 235, S-PS	-	3343	1973	1977
9	End cap, left-Viton	3027	-	-	-
10	Nut	-	-	-	1006
10	Nut, stainless	-	-	-	1007
11, 12, 13, 14	Band locks with screws	-	1461	1002	1004
11, 12, 13, 14	Band locks with screws, stainless	3087	1462	1003	1005
15	Screw	0735	0735	1023	-
15	Screw, stainless	0795	0795	1024	-
15	Screw, stainless for VO valves	-	-	1621	-

P 210, P 230, P 235, P 240, S-PS



Position	Description	Ident No.			
		ø 10	ø 16	ø 25	ø 32
20	Piston seal, standard	3035	0745	1052	1072
20	Piston seal, viton	3096	0746	1053	1073
21	Cushion seal, standard	-	0751	1054	1074
21	Cushion seal, viton	-	0752	1055	1075
22, 35	Piston, white for P 210, P 240	3053	1853	2853	3853
22, 35	Piston, red for P 210, P 240	-	-	2855	3855
22, 35	Piston, green for P 210, P 240	-	-	2856	3856
22, 35	Piston, white for P 230, P 235	-	3995	3996	4001
22, 35	Piston, red for P 230, P 235	-	-	3997	4002
22, 35	Piston, green for P 230, P 235	-	-	3998	4003
23	Screw for P 210, P 230, P 235	3583	0754	0163	1283
23	Screw, stainless for P 210	3583	0844	0164	2692
23	Screw for P 240	-	-	0515	1202
25	Nut for P 210, P 230, P 235, P 240	-	0796	0165	1284
25	Nut, stainless for P 210	-	0845	0166	2598
27	Mounting No. 20 for P 210, P 230, P235, P240	3052	1815	1816	2714
27	Mounting No. 20 for S-PS	-	-	0229	0383
28, 29, 30	Mounting No. 25 for P 210	3089	1466	1026	1029
28, 29, 30	Mounting No. 25, stainless for P 210	-	1467	1027	1034
29	Clevis for P 210	3056	0758	1064	1083
29	Clevis, stainless for P 210	-	0759	1065	1084
30	Carrier pin for P 210	-	-	1068	1087
30	Carrier pin, stainless for P 210	3055	0762	1069	1088
31	O-ring, standard	-	0747	1045	1047
31	O-ring, viton	-	0748	1046	1048
35	Bearing ring, white	3033	0743	0569	0465
35	Bearing ring, red	-	-	1915	1917
35	Bearing ring, green	-	-	1916	1918
24/26	Bearing strip Scraper	see Service Packs page 5.1.2			

Individual Spare Parts for Cylinder with Optional Features

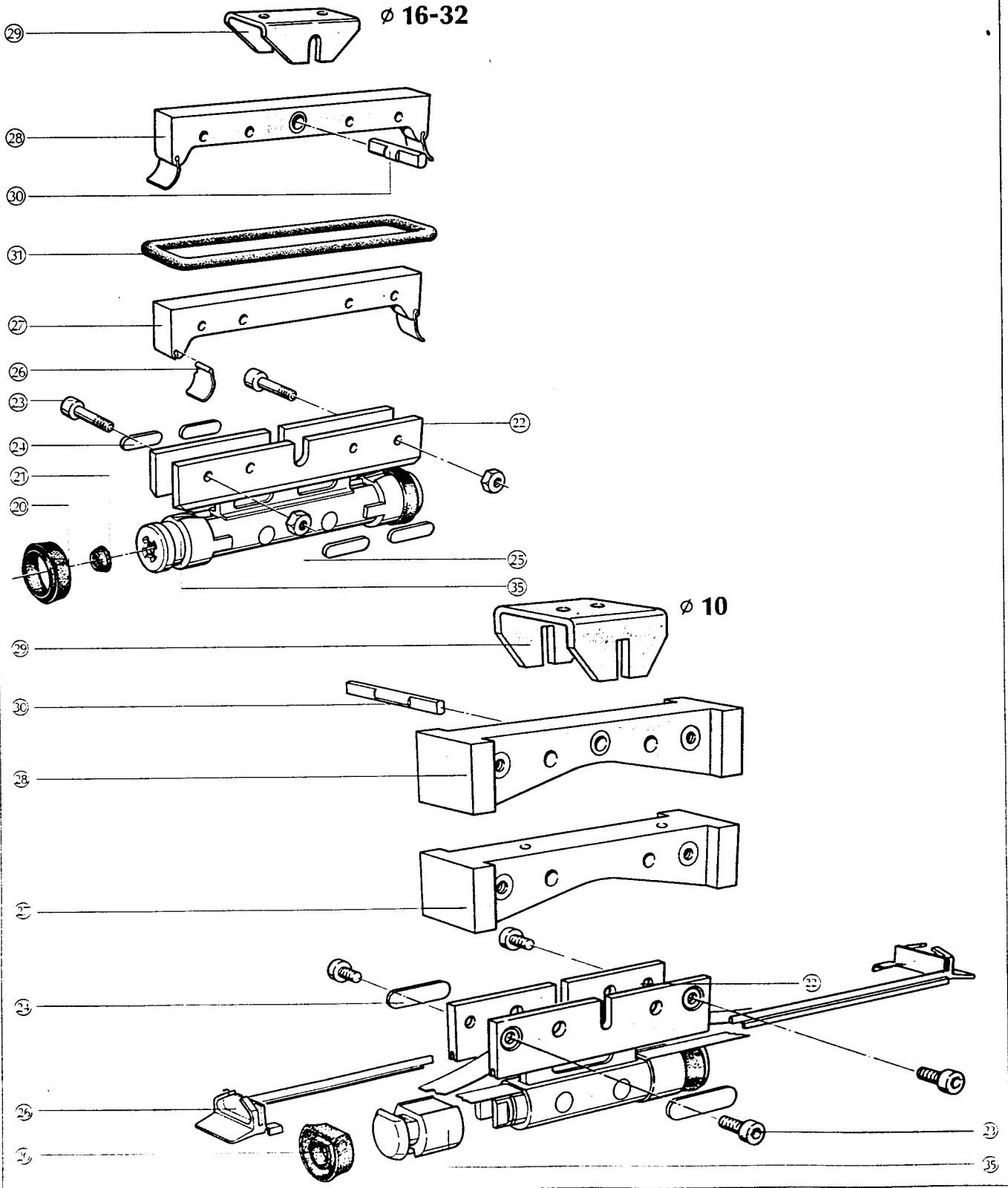
End cap with Air Connection	Ident No.							
	ø 10		ø 16		ø 25		ø 32	
	left*	right*	left*	right*	left*	right*	left*	right*
Offset by 90°	-	-	1833	1834	2843	2844	3833	3834
End face	-	-	1835	1836	2845	2846	3835	3836

*Refers to the respective cylinder side (as illustrated on page 5.1/3).

Proximity Switch	Ident No.			
	ø 10	ø 16	ø 25	ø 32
Reed switch RS (with cable)	3047	2986	2986	2986
Inductive switch IS (without cable)	3057	2982	2982	2982
Cable for Inductive switch IS	4041	4041	4041	4041
Clamp attachment, easily adjustable	-	1271	1114	1114

Lubrication	Ident No.			
	ø 10	ø 16	ø 25	ø 32
Grease for slow speed < 0.2 m/s, tube 20 g	3185			
Grease for normal speed, tube 20 g	1598			
Grease for normal speed, 0.5 kg tin	2773			

P 210, P 230, P 235, P 240, S-PS



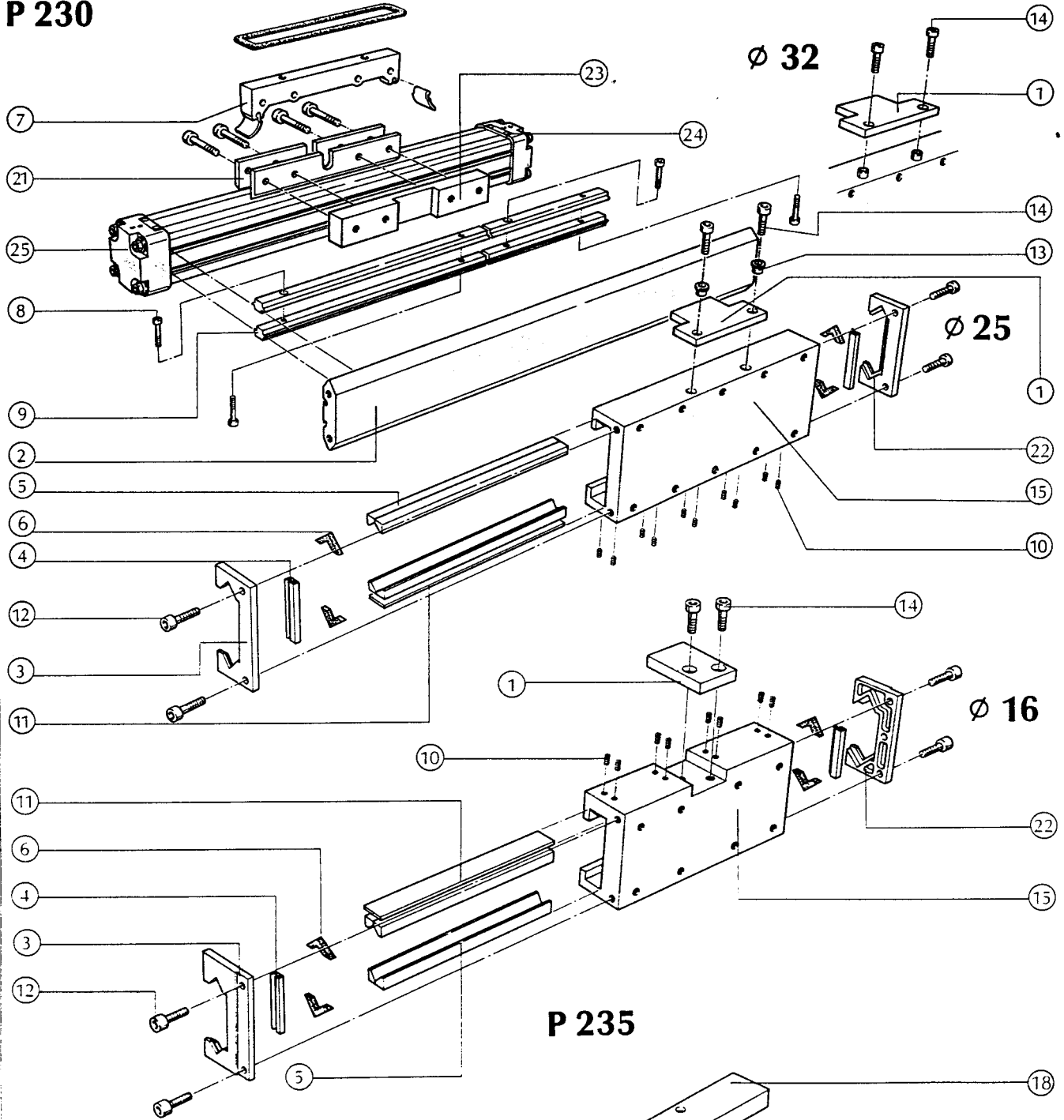
Spare Parts for series P 230 Cylinder with Guide diameters 16, 25 and 32 mm
series P 235 Cylinder with Guide and Integrated Brake diameters 25 and 32 mm

When ordering replacement parts please specify the cylinder series, diameter and stroke length according to the cylinder label.

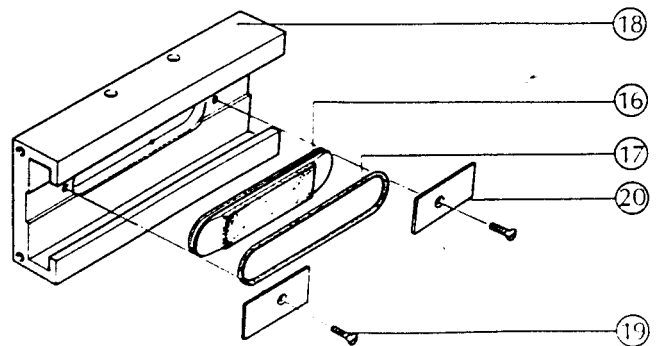
Service Packs		Ident No.		
Position	Description	∅ 16	∅ 25	∅ 32
4, 5, 6	Seal Kit Guide P 230 and P 235	1855	2815	3815
16, 17	Seal Kit Brake P 235	-	2816	3816

Spare Parts		Ident No.		
Position	Description	∅ 16	∅ 25	∅ 32
1	Link plate	3328	3366	3368
2	Guide cut to stroke length	3308	1653	1673
3	End plate, left	3323	1661	1681
7	Mounting with square bush	1815	1816	2714
8	Screw	3306	0754	0754
9	Guide-gripping jaw (single part) 100 mm	3336	1697	1697
9	Guide-gripping jaw (single part) 150 mm	3337	1696	1696
9	Guide-gripping jaw (single part) 200 mm	3338	1655	1655
9	Guide-gripping jaw (single part) 300 mm	3339	-	-
9	Guide-gripping jaw (single part) 500 mm	-	1698	1698
10	Adjusting screw	1041	2744	2744
11	Support strip	3332	1668	1688
12	Screw	3278	2742	2742
13	Bush	-	1669	1689
14	Screw	3307	0666	1102
15, 13	Guide carriage with bush P 230	-	-	1777
15	Guide carriage P 230	3321	1651	-
18, 13	Guide carriage with bush P 235	-	-	1819
18	Guide carriage P 235	-	2765	-
19	Screw	-	1549	1549
20	Spring plate	-	1726	1726
21	Piston, white	3995	3996	4001
21	Piston, red	-	3997	4002
21	Piston, green	-	3998	4003
22	End plate, right	3324	1661	1681
23	Drive plate	3331	3365	3367
24	End cap, left	3343	1973	1977
25	End cap, right	3344	1974	1978

P 230



P 235



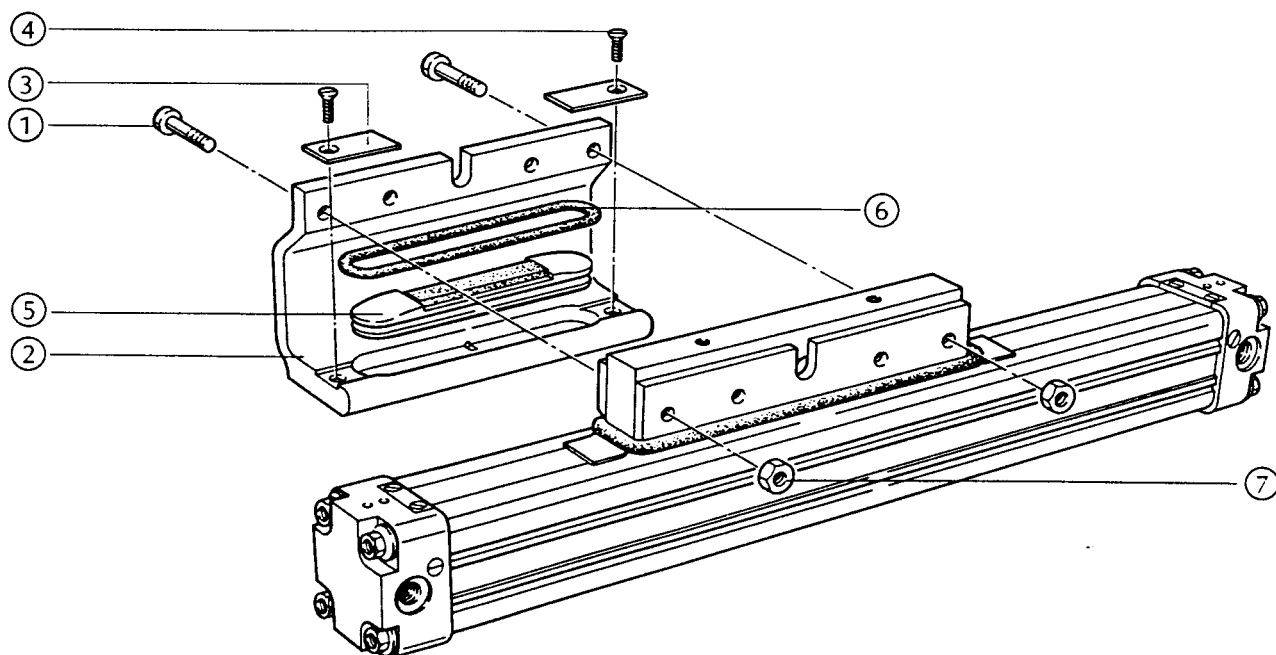
Spare Parts for series P 240 Cylinder with Brake diameters 25 and 32 mm

When ordering replacement parts please specify the cylinder series, diameter and stroke length according to the cylinder label.

Seal Kit		Ident No.	
Position	Description	ø 25	ø 32
5, 6	Seal Kit	2816	3816

Individual Spare Parts		Ident No.	
Position	Description	ø 25	ø 32
1	Screw	0515	1202
2	Brake housing for P 240/20	1554	1584
2	Brake housing for P 240/25	2857	2858
3	Spring plate	1726	1726
4	Screw	1549	1549
7	Nut	0165	1284

P 240



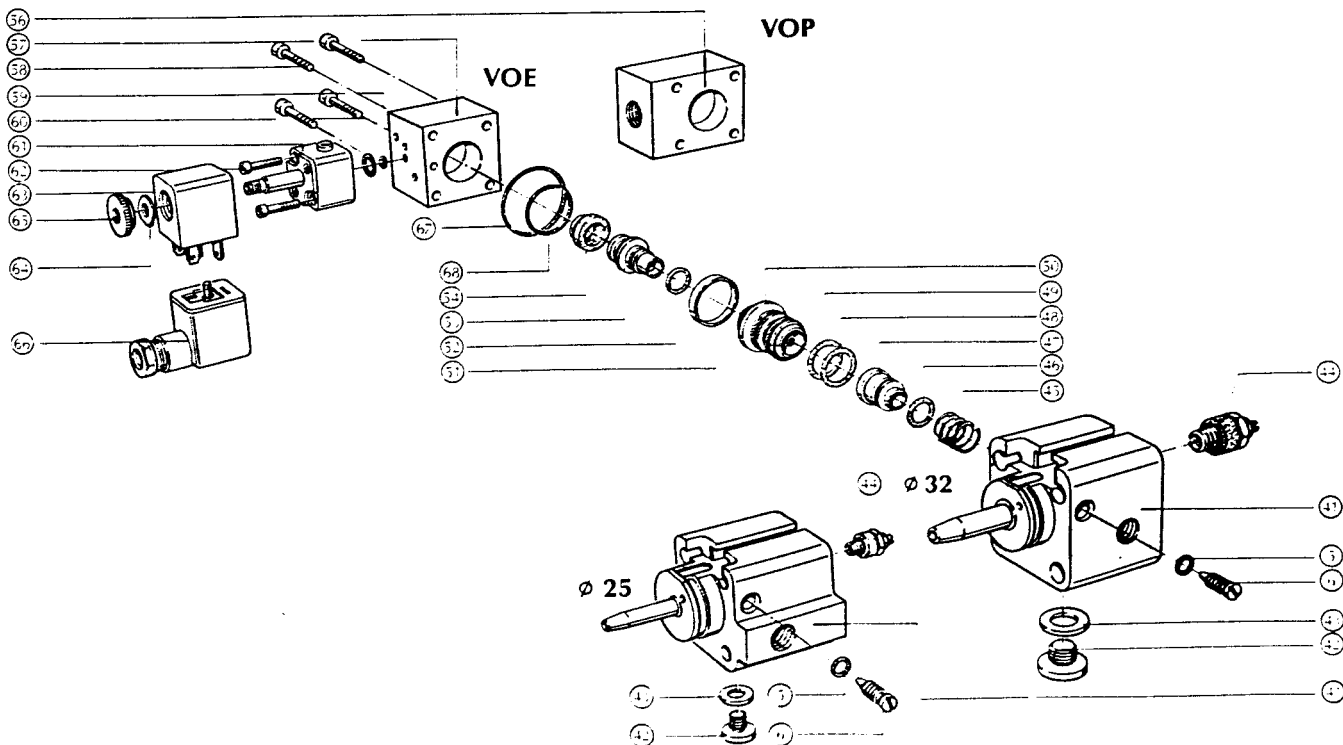
Spare Parts – VO Valves for series P 210, P 230, P 235, P 240 and S-PS

Valves	Ident No.			
	ø 25		ø 32	
	left*	right*	left*	right*
Pneumatic 3/2 way valve VOP	2945	2946	2947	2948
Electrically operated 3/2 way valve VOE (without solenoid)	2941	2942	2943	2944
Solenoid	24 V =	2931	2931	
	24 V/50 Hz	2932	2932	
	48 V =	2933	2933	
	48 V/50 Hz	2934	2934	
	110 V/50 Hz	2935	2935	
	110 V/60 Hz	2936	2936	
	220 V - 240 V/50 Hz	2937	2937	
Plug with LED	10 - 50 V ≈	2803	2803	
Plug with LED	70 - 250 V ≈	2804	2804	

*Refers to the respective cylinder side (illustrated on page 5.1/3)

Note: The following end cap replacement parts apply when using VOE-VOP valves

Position	Description	ø 25	ø 32
15	Screw (for VOE, VOP)	1621	-



Spare parts for series S-PS cylinder with Roller Guide Diameters 25 and 32mm.

When ordering replacement parts, please specify the cylinder series, diameter and stroke length according to the cylinder label.

Individual Spare Parts		Ident No.	
Position	Description	∅ 25	∅ 32
1	Guide Carriage	4004	4012
2	Bearing Concentric	4007	4015
3	Bearing Eccentric	4008	4016
4	Cap Seals	4009	4017
5	Guide, Standard	3462	3482
7	Drive Block	4006	4014
8	Screw	0163	1283
8	Screw, stainless	0164	2692
9	Screw	0234	0666
9	Screw, stainless	0235	0667
10	Screw	3469	3489
11	Washer	3477	2582
12	Link plate	4005	4013
13	Counter Sunk Screw	4011	4018

S-PS

