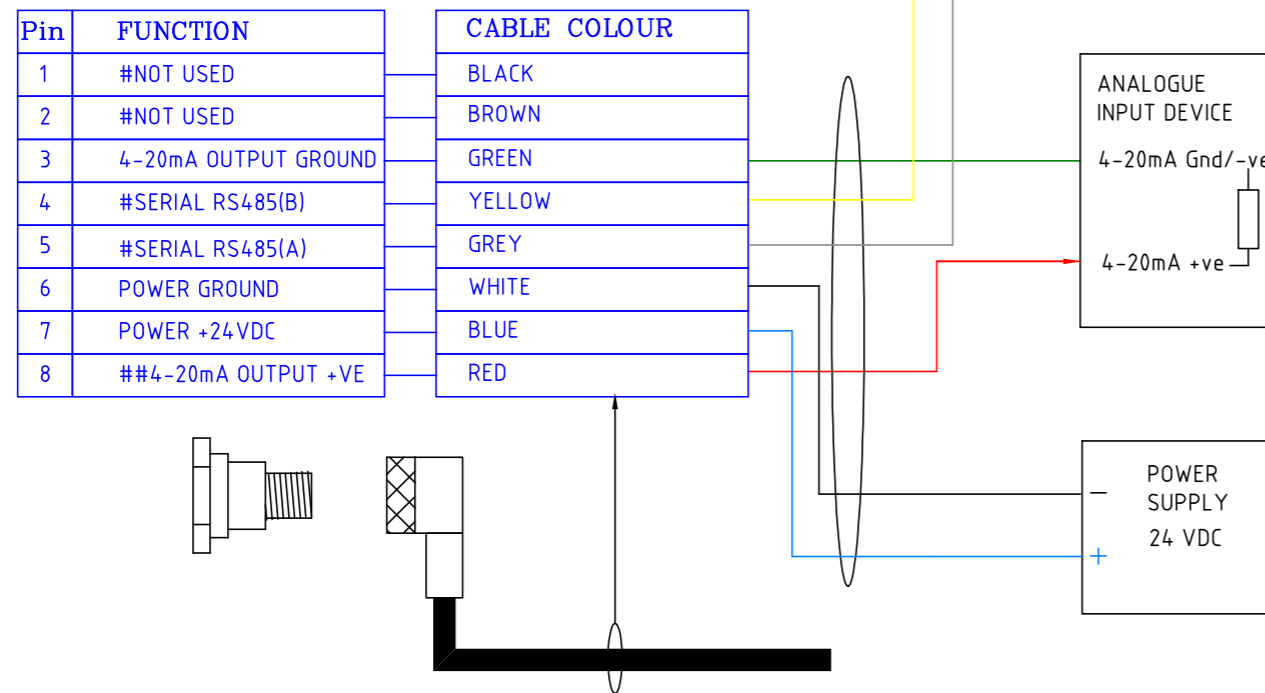


USER INTERFACE EQUIPMENT

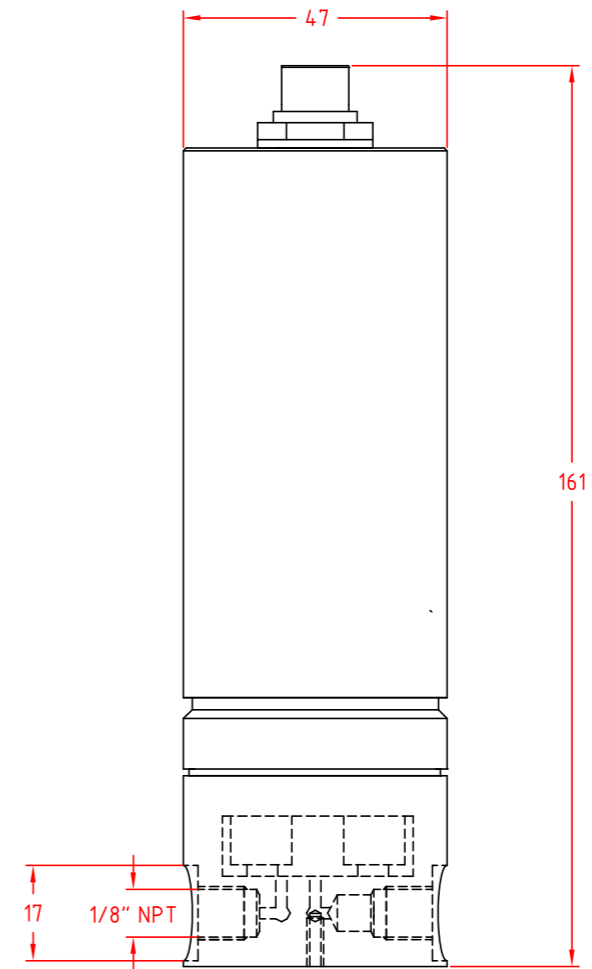
M12 CONNECTOR ASSIGNMENT



1MTR CABLE WITH M12 CONNECTOR SUPPLIED AS STANDARD.
 #USER TO SUITABLY INSULATE ANY UNUSED WIRES.
 RS485 IS AVAILABLE IF REQUIRED BY USER.
 ## THE 4-20mA IS A SOURCE OUTPUT.

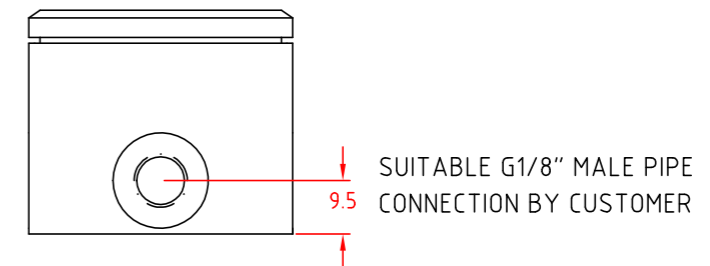
APPLICATION NOTES:

THE ELECTROCHEMICAL (EC) SENZTX SHOULD BE INSTALLED VERTICALLY IF POSSIBLE (CONNECTOR UPPERMOST)
 SAMPLE GAS FLOW RATE SHOULD BE REGULATED TO APPROX. 250mlPM.
 SAMPLE GAS PRESSURE PRESENTED TO THE SENZTX SHOULD BE WITHIN +/- 10% AMBIENT.
 (TYPICALLY FOR AMBIENT PRESSURE OF 1013mB ABSOLUTE)
 WETTING OF THE SENSOR ELEMENT BY CONDENSATES IN THE SAMPLE GAS STREAM SHOULD BE AVOIDED.

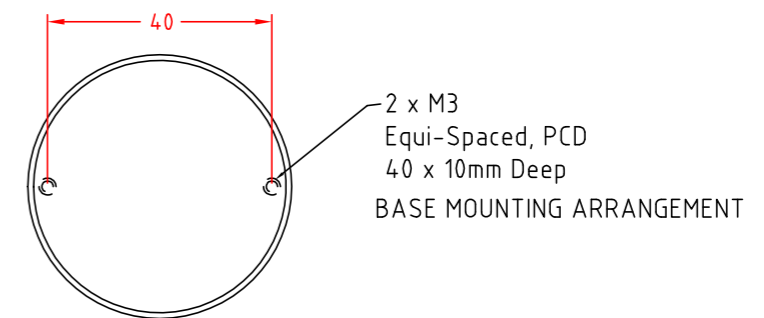


← FLOW DIRECTION

ELECTROCHEMICAL SENSOR



SUITABLE G1/8" MALE PIPE CONNECTION BY CUSTOMER



2 x M3
 Equi-Spaced, PCD
 40 x 10mm Deep
 BASE MOUNTING ARRANGEMENT



TITLE: SENZTX EC M12 WITH FLOW-THROUGH PROCESS CONNECTION DIMENSIONS & CONNECTIONS WITH 4-20mA ANALOGUE OUTPUT

S.O. NO.	N/A	DRAWING NUMBER	DRN.	CHD.	APP.	REV
Q.No.	N/A	SD003	MW	DB	DB	0
SCALE	N.T.S.					
DATE	16-10-2018	PAGE 1	OF			1

REV.	DESCRIPTION	DRN.	CHD.	APP