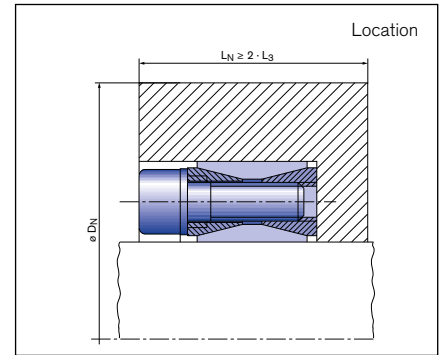
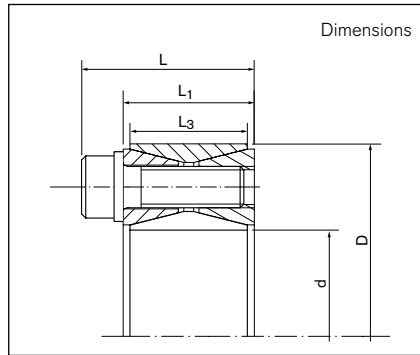


**RINGFEDER® Locking Assemblies**

# RfN 7012



<b>d</b> = Inner diameter	<b>F<sub>ax</sub></b> = Transmissible axial force	<b>Gw</b> = Weight
<b>D</b> = Outer diameter	<b>p<sub>w</sub></b> = Surface pressure on shaft at given T <sub>A</sub>	<b>D<sub>N min</sub></b> = Min. hub outer diameter depending of the given hub yield point (Rp <sub>0,2</sub> )
<b>L</b> = Overall length	<b>p<sub>N</sub></b> = Surface pressure on hub at given T <sub>A</sub>	<b>T<sub>max</sub></b> = Maximum transmissible torque
<b>L<sub>1</sub></b> = Overall length without screws	<b>n<sub>Sc</sub></b> = Quantity of screws	
<b>L<sub>3</sub></b> = Width of inner ring	<b>D<sub>G</sub></b> = Thread	
<b>T</b> = Transmissible torque at given T <sub>A</sub>	<b>T<sub>A</sub></b> = Maximum tightened torque of the clamping screws	

Locking Assembly dimensions						Transmissible torques or axial forces		Surface pressure		Locking screws ISO 4762-12.9				D <sub>N min</sub> at Rp <sub>0,2</sub>			T <sub>max</sub>			
d	x	D	d	x	D	L	L <sub>1</sub>	L <sub>3</sub>	T	F <sub>ax</sub>	Shaft p <sub>w</sub>	Hub p <sub>N</sub>	n <sub>Sc</sub>	D <sub>G</sub>	T <sub>A</sub>	Gw		200	300	400
mm		inch	mm		inch	inch			ft-lbs	lbs	psi	psi	pcs.		ft-lbs	lbs		N/mm <sup>2</sup>		
19	x	47	0.748	x	1.850	1.083	0.787	0.669	226	7194	38406	15507	8	M 6 x 18	13	0.5	2.638	2.323	2.205	263
20	x	47	0.787	x	1.850	1.083	0.787	0.669	237	7194	36377	15507	8	M 6 x 18	13	0.5	2.638	2.323	2.205	276
22	x	47	0.866	x	1.850	1.083	0.787	0.669	259	7194	32899	15362	8	M 6 x 18	13	0.5	2.598	2.323	2.205	304
24	x	50	0.945	x	1.969	1.083	0.787	0.669	316	8093	33623	16232	9	M 6 x 18	13	0.6	2.835	2.520	2.362	373
25	x	50	0.984	x	1.969	1.083	0.787	0.669	329	8093	32319	16087	9	M 6 x 18	13	0.6	2.835	2.520	2.362	388
28	x	55	1.102	x	2.165	1.083	0.787	0.669	366	7868	28551	14493	9	M 6 x 18	13	0.7	2.992	2.677	2.559	435
30	x	55	1.181	x	2.165	1.083	0.787	0.669	390	7868	26522	14493	9	M 6 x 18	13	0.6	2.992	2.677	2.559	466
32	x	60	1.260	x	2.362	1.083	0.787	0.669	552	10566	33043	17681	12	M 6 x 18	13	0.7	3.504	3.071	2.874	663
35	x	60	1.378	x	2.362	1.083	0.787	0.669	601	10566	30145	17536	12	M 6 x 18	13	0.7	3.504	3.071	2.874	725
38	x	65	1.496	x	2.559	1.083	0.787	0.669	812	13039	34493	20145	15	M 6 x 18	13	0.8	4.016	3.425	3.189	984
40	x	65	1.575	x	2.559	1.083	0.787	0.669	851	13039	32609	20145	15	M 6 x 18	13	0.7	4.016	3.425	3.189	1036
42	x	75	1.654	x	2.953	1.319	0.945	0.787	1304	18884	38551	21594	12	M 8 x 22	30	1.3	4.803	4.055	3.740	1592
45	x	75	1.772	x	2.953	1.319	0.945	0.787	1391	18884	35797	21449	12	M 8 x 22	30	1.3	4.803	4.055	3.740	1705
48	x	80	1.890	x	3.150	1.319	0.945	0.787	1478	18659	33478	20000	12	M 8 x 22	30	1.4	4.921	4.213	3.937	1819
50	x	80	1.969	x	3.150	1.319	0.945	0.787	1536	18659	32029	20000	12	M 8 x 22	30	1.3	4.921	4.213	3.937	1894
55	x	85	2.165	x	3.346	1.319	0.945	0.787	1959	21807	33768	21884	14	M 8 x 22	30	1.4	5.512	4.606	4.252	2431
60	x	90	2.362	x	3.543	1.319	0.945	0.787	2125	21582	30725	20580	14	M 8 x 22	30	1.5	5.630	4.803	4.449	2652
65	x	95	2.559	x	3.740	1.319	0.945	0.787	2618	24504	32319	22174	16	M 8 x 22	30	1.6	6.142	5.157	4.764	3284
70	x	110	2.756	x	4.331	1.555	1.102	0.945	4006	34846	35507	22609	14	M 10 x 25	61	2.8	7.244	6.024	5.551	5048
75	x	115	2.953	x	4.528	1.555	1.102	0.945	4274	34846	33043	21594	14	M 10 x 25	61	2.9	7.362	6.181	5.709	5409
80	x	120	3.150	x	4.724	1.555	1.102	0.945	4540	34621	30870	20580	14	M 10 x 25	61	3.1	7.480	6.378	5.906	5769
85	x	125	3.346	x	4.921	1.555	1.102	0.945	5493	39342	33043	22464	16	M 10 x 25	61	3.3	8.189	6.811	6.260	7005
90	x	130	3.543	x	5.118	1.555	1.102	0.945	5795	39342	31014	21449	16	M 10 x 25	61	3.4	8.307	6.969	6.457	7418

To continue see next page



RINGFEDER® Locking Assemblies

RfN 7012

Locking Assembly dimensions						Transmissible torques or axial forces		Surface pressure		Locking screws ISO 4762-12.9				D <sub>N min</sub> at Rp <sub>0,2</sub>			T <sub>max</sub>			
d	x	D	d	x	D	L	L <sub>1</sub>	L <sub>3</sub>	T	F <sub>ax</sub>	Shaft p <sub>W</sub>	Hub p <sub>N</sub>	n <sub>Sc</sub>	D <sub>G</sub>	T <sub>A</sub>	G <sub>w</sub>		200	300	400
mm			inch			inch			ft-lbs	lbs	psi		pcs.			ft-lbs		lbs	N/mm <sup>2</sup>	
920	x	1030	36.220	x	40.551	5.118	4.016	3.780	1486949	985342	19130	17101	76	M 24 x 90	885	297.7	58.740	51.614	48.543	2200859
940	x	1050	37.008	x	41.339	5.118	4.016	3.780	1557160	1009847	19130	17101	78	M 24 x 90	885	304.3	59.882	52.638	49.488	2307880
960	x	1070	37.795	x	42.126	5.118	4.016	3.780	1628922	1034351	19130	17246	80	M 24 x 90	885	308.7	61.220	53.740	50.512	2417420
980	x	1090	38.583	x	42.913	5.118	4.016	3.780	1681476	1046041	18986	17101	81	M 24 x 90	885	315.3	62.165	54.606	51.378	2498630
1000	x	1110	39.370	x	43.701	5.118	4.016	3.780	1734782	1057506	18841	16957	82	M 24 x 90	885	321.9	63.110	55.512	52.205	2581099

More sizes on request

Ordering example: RfN 7012

Type	d	D
RfN 7012	4.724	6.496

Technical Information

- Surface finishes: Shaft and hub bores R<sub>a</sub> ≥ 3,2 μm
  - Tolerances: Shaft: k9-h9 · Hub: N9-H9
- Max. permissible: Shaft: k11-h11 · Hub: N11-H11