

PRODUCT INFORMATION PACKET

Model No: 145TBFR5334
Catalog No: I700
2,1800,TEFC,145T,1/60/115/230
Totally Enclosed Fan Cooled (TEFC)



Regal and Marathon are trademarks of Regal Beloit Corporation or one of its affiliated companies.
©2018 Regal Beloit Corporation, All Rights Reserved. MC017097E



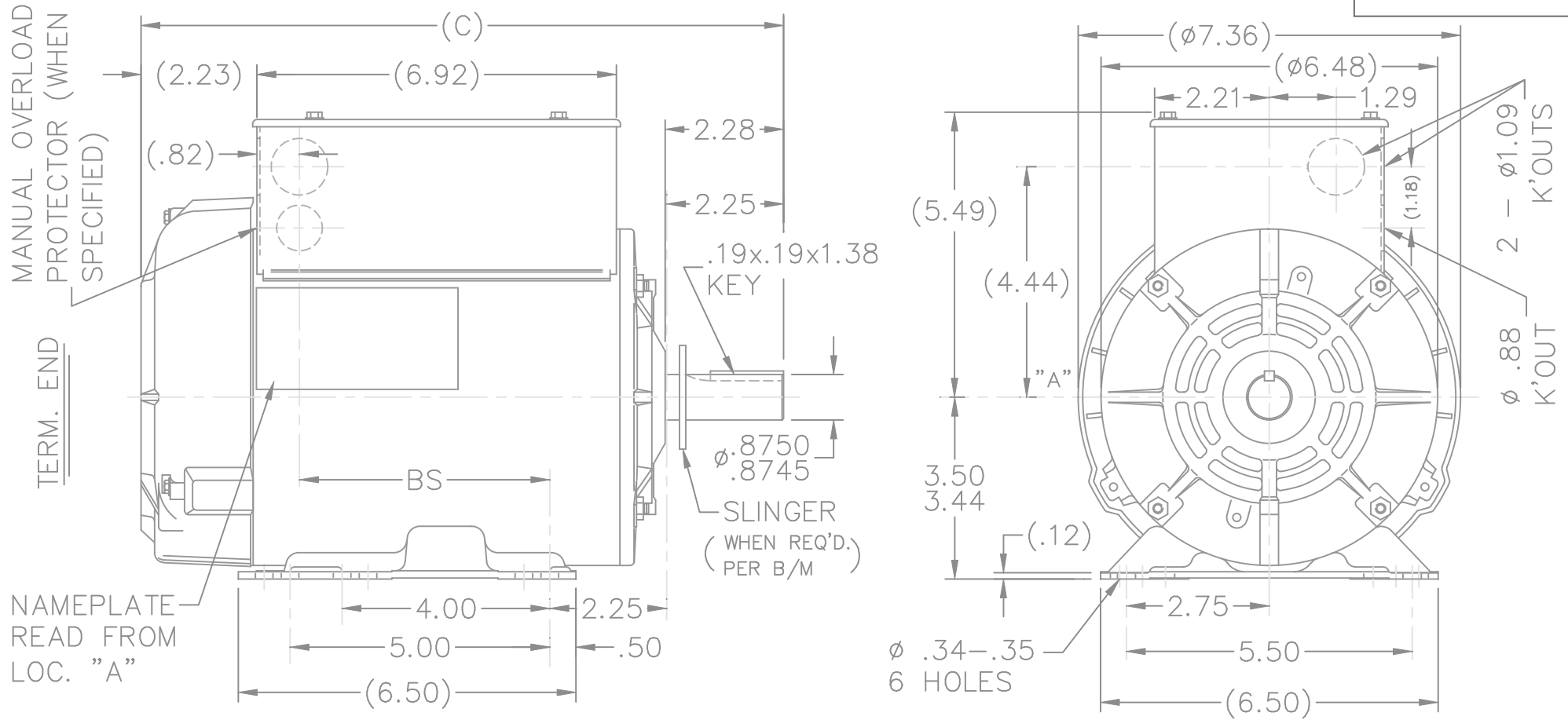
Nameplate Specifications

Output HP	2 Hp	Output KW	1.5 kW
Frequency	60 Hz	Voltage	115/230 V
Current	18.8/9.4 A	Speed	1740 rpm
Service Factor	1.15	Phase	1
Efficiency	81.5 %	Duty	Continuous
Insulation Class	B	Design Code	L
KVA Code	J	Frame	145T
Enclosure	Totally Enclosed Fan Cooled	Overload Protector	No
Ambient Temperature	40 °C	Drive End Bearing Size	6205
Opp Drive End Bearing Size	6203	UL	Recognized
CSA	Y	CE	Y
IP Code	43		

Technical Specifications

Electrical Type	Capacitor Start Capacitor Run	Starting Method	Across The Line
Poles	4	Rotation	Selective Clockwise
Mounting	Rigid base	Motor Orientation	Horizontal
Drive End Bearing	Ball	Opp Drive End Bearing	Ball
Frame Material	Rolled Steel	Shaft Type	T
Overall Length	14.87 in	Frame Length	9.56 in
Shaft Diameter	0.875 in	Shaft Extension	2.28 in
Assembly/Box Mounting	F3		
Outline Drawing	A-100294-956	Connection Diagram	A-102006-51

This is an uncontrolled document once printed or downloaded and is subject to change without notice. Date Created: 06/29/2018

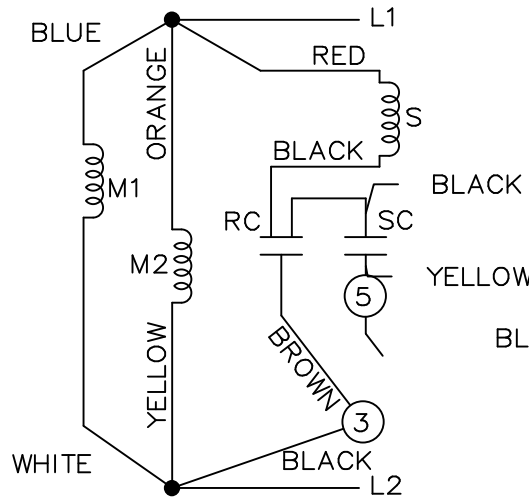


DASH	FRAME	C	BS
806	145T	13.37	5.82
856	145T	13.87	6.32
906	145T	14.37	6.82
956	145T	14.87	7.32

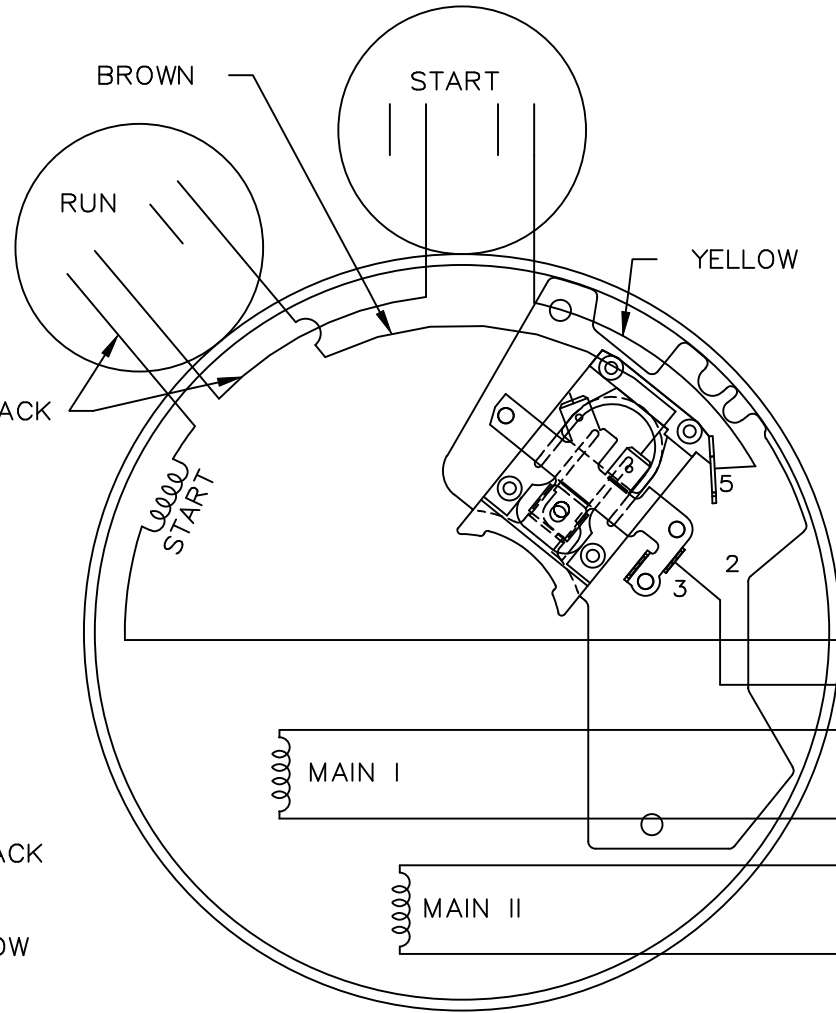
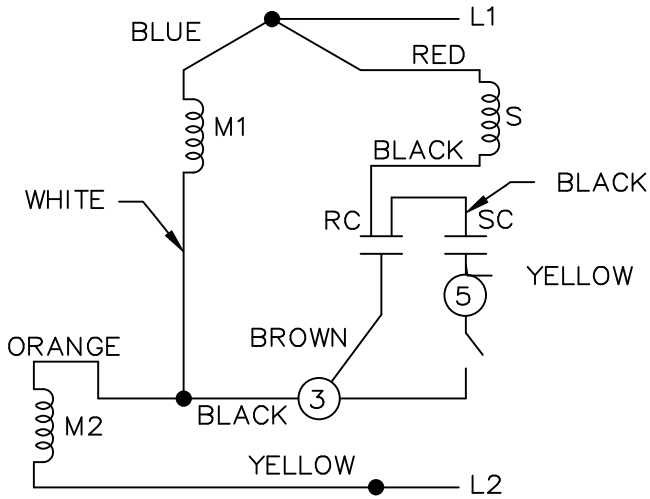
			TOLERANCES UNLESS SPECIFIED			DRAWN GK 06-09-1988			
			DEC.	INCHES		CHK ML 06-09-1988	APPD FG 06-09-1988	SCALE 11=32	REF
4	UPDATED DRAWING	RJW 03-28-2007	.X	±.1	TITLE OUTLINE 140 FR. - TEFC - 1φ - BB				
3	REDRAWN IN AUTOCAD	TAT 06-24-2005	DRS .XX	±.03					
2	NOTE ADDED TO SLINGER CN 12503	GK 07-30-1990	.XXX	±.005					
1	NEW DRAWING 3491443	GK 06-09-1988	.XXXX	±.0005					
NO.	REVISION	BY & DATE	CHK	ANG	±'30"	MAT'L.	FINISH	PREV	
			RFP			CAD FILE 100294	SIZE A	DRAWING NO. 100294	PAGE OF 4
			DIST WP						REV. 4

THIS DRAWING IN DESIGN AND DETAIL IS OUR PROPERTY AND MUST NOT BE USED EXCEPT IN CONNECTION WITH OUR WORK ALL RIGHTS OF DESIGN AND INVENTION ARE RESERVED THIS IS AN ELECTRONICALLY GENERATED DOCUMENT - DO NOT SCALE THIS PRINT

LOW VOLTAGE C.C.W.

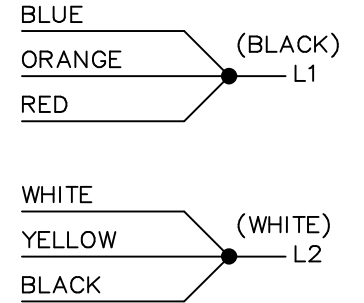


HIGH VOLTAGE C.C.W.

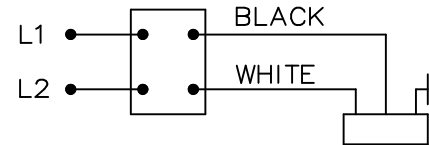
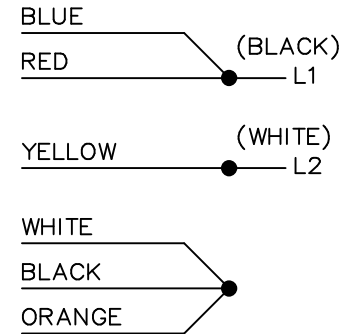


DUAL VOLTAGE CAPACITOR
START-CAP RUN NO OVERLOAD
SELECT ROTATION

LOW VOLTAGE C.C.W. ROTATION



HIGH VOLTAGE C.C.W. ROTATION



FOR C.W. ROTATION,
EITHER VOLTAGE,
INTERCHANGE RED WITH
BLACK LEAD

			TOLERANCES UNLESS SPECIFIED		MARATHON ELECTRIC	DRAWN DT 06-07-1996		
			DEC.	INCHES		CHK	MRB 06-16-1996	
			.X	±.1	TITLE CONNECTION DIAGRAM	APPD	GK 06-16-1996	
			.XX	±.02		SCALE	5=8	
9	ADDED CORD AND SWITCH VIEW MU37521	DRS 06-22-2001	.XXX	±.005		REF		
8	REDRAWN ON CADD	DT 06-16-1996	.XXXX	±.0005	MAT'L.	FMF		
NO.	REVISION	BY & DATE	CHK	ANG ±7'30"	FINISH	PREV		
THIS DRAWING IN DESIGN AND DETAIL IS OUR PROPERTY AND MUST NOT BE USED EXCEPT IN CONNECTION WITH OUR WORK ALL RIGHTS OF DESIGN AND INVENTION ARE RESERVED THIS IS AN ELECTRONICALLY GENERATED DOCUMENT - DO NOT SCALE THIS PRINT			RFP		CAD FILE 102006-51	SIZE A	DRAWING NO. 102006-51	PAGE OF 9
			DIST	WP				REV. 9

CERTIFICATION DATA SHEET

Model#: 145TBFR5334 AH WINDING#: ZB411 NONE 3
 CONN. DIAGRAM: A-102006-51 ASSEMBLY: F3
 OUTLINE: A-100294-956

TYPICAL MOTOR PERFORMANCE DATA

HP	KW	SYNC. RPM	F.L. RPM	FRAME	ENCLOSURE	KVA CODE	DESIGN
2	1.49	1800	1740	145T	TEFC	J	L

PH	Hz	VOLTS	FL AMPS	START TYPE	DUTY	INSL	S.F	AMB°C	ELEVATION
1	60	115/230	18.8/9.4	ACROSS THE LINE	CONTINUOUS	B3	1.15	40	3300

FULL LOAD EFF: 81.5	3/4 LOAD EFF: 79.2	1/2 LOAD EFF: 74.3	GTD. EFF	ELEC. TYPE	NO LOAD AMPS
FULL LOAD PF: 86.1	3/4 LOAD PF: 82	1/2 LOAD PF: 73.7	0	CAP START CAP RUN	7.8 / 3.9

F.L. TORQUE	LOCKED ROTOR AMPS	L.R. TORQUE	B.D. TORQUE	F.L. RISE°C
6.02 LB-FT	127 / 63.5	15.9 LB-FT 264	14.9 LB-FT 248	80

SOUND PRESSURE @ 3 FT.	SOUND POWER	ROTOR WK^2	MAX. WK^2	SAFE STALL TIME	STARTS /HOUR	APPROX. MOTOR WGT
- dBA	- dBA	0 LB-FT^2	- LB-FT^2	10 SEC.	-	0 LBS.

*** SUPPLEMENTAL INFORMATION ***

DE BRACKET TYPE	ODE BRACKET TYPE	MOUNT TYPE	ORIENTATION	SEVERE DUTY	HAZARDOUS LOCATION	DRIP COVER	SCREENS	PAINT
STANDARD	BRAKE	RIGID	HORIZONTAL	FALSE	NONE	FALSE	NONE	GRAY (POWDER)

BEARINGS		GREASE	SHAFT TYPE	SPECIAL DE	SPECIAL ODE	SHAFT MATERIAL	FRAME MATERIAL
DE	OPE						
BALL	BALL	POLYREX EM	T	NONE	NONE	1144 STRESSPROOF (C-223)	ROLLED STEEL
6205	6203						

THERMO-PROTECTORS				THERMISTORS	CONTROL	SPACE /n HEATERS
THERMOSTATS	PROTECTORS	WDG RTDs	BRG RTDs			
NONE	NOT	NONE	NONE	NONE	FALSE	NONE VOLTS

If Inverter equals NONE, contact factory for further information

*
N
O
T
E
S
*

INVERTER TORQUE: NONE
INV. HP SPEED RANGE: NONE
ENCODER: NONE
NONE NONE
NONE NONE PPR
BRAKE: PROVISIONS FOR KIT NONE
NONE P/N NONE
NONE NONE
NONE FT-LB NONE V NONE Hz

DATE: 06/21/2017 11:23:53 AM
 FORM 3531 REV.3 02/07/99
 ** Subject to change without notice.