



TORWEGGE Materials Handling Technology:

- Energy supplies for power and compressed air
- Spring cable reels
- Box type conductor rails
- C-rail program with wall- or column-mounted swivel arm up to 125 kg
- Suspension track program
- Wall- and column-mounted jib crane 150 kg and over with electric chain hoists
- Vacuum lifters
- Crane systems

Catalog pages: H ① – H 70

Materials handling technology: One of four strong product divisions!

Spring cable reel

Spring cable reels provide automatic cable winding for mobile consumers. The operational area covers practically all devices in lifting and conveyor technology, including gantry cranes, gripper arms and magnets, elevating and work platforms, machine carriages, mobile platforms, and truck cranes up to longitudinal circular scrapers in wastewater treatment plants, Further applications: in machine and system engineering, in harbor areas, in steelworks, and in theater and stage technology.

Protected operation

With standardized slip ring element in an impact-resistant plastic housing (up to 47 A at 100% duty cycle and 1000 V).

Trouble-free operation with a high service life thanks to the high-quality, roller bearing mounting on both sides.

Optimum corrosion protection even in aggressive environments

Side plates made of galvanized steel sheet powdered-coated drum casing.

The cable for the highest operational demands

Trommelflex PUR-HF

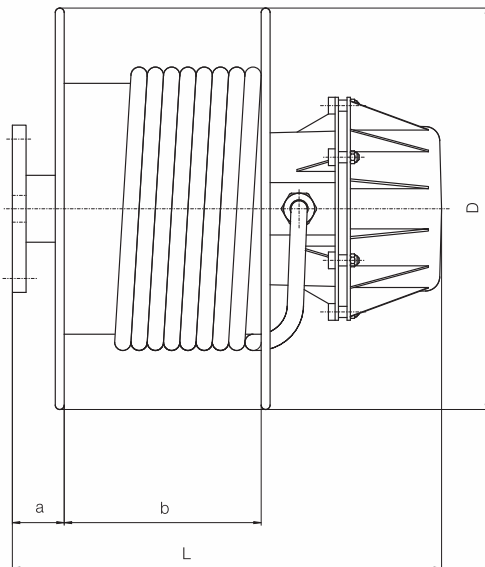
Specially developed for drum operation, high tensile loading capacity, abrasion-resistant, halogen-free.



For high load cycles, springs manufactured from high-quality spring steel.

Minimum drum dimensions
Through the use of the optimum cable with the smallest outside diameter.

Change of rotational direction – simple and safe, the springs are securely integrated in protective cassettes.



Leaving technical changes!

Ident. No.	Order No.	Dimensions			
		D mm	L mm	b mm	a mm
0030435	SGR01	280	295	95	48
0030436	SGR02	280	295	95	48
0030437	SGR03	480	405	95	48
0030438	SGR04	480	405	95	48
0030439	SGR11	430	365	200	47
0030440	SGR12	430	466	200	47
0030441	SGR14	430	466	200	47
0030442	SGR15	430	466	200	47
0030443	SGR17	430	466	200	47
0030444	SGR18	430	506	200	47
0030445	SGR19	430	506	200	47
0030446	SGR20	430	506	200	47
0030447	SGR21	430	596	200	47
0030448	SGR22	430	596	200	47
0030449	SGR23	430	596	200	47
0030450	SGR32	460	486	220	47
0030451	SGR36	460	526	220	47
0030452	SGR37	460	526	220	47
0030453	SGR38	460	616	220	47
0030454	SGR40	460	616	220	47
0030455	SGR53	550	541	235	47
0030456	SGR70	385	466	160	47
0030457	SGR71	385	466	160	47
0030458	SGR72	385	556	160	47
0030459	SGR73	385	556	160	47
0030460	SGR82	550	631	235	47
0030461	SGR90	650	665	252	64
0030462	SGR91	650	665	252	64
0030463	SGR92	650	665	252	64

Spring cable reel

Wide range of application possibilities indoors and outdoors

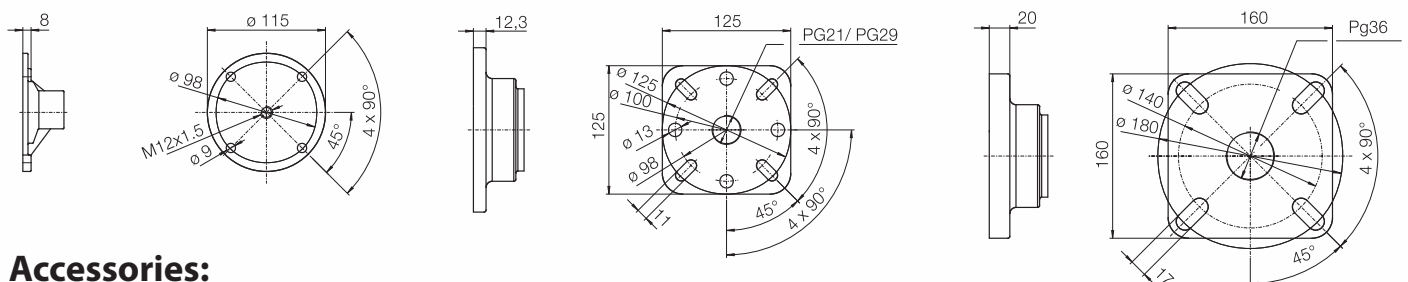
Cable [mm ²]	Voltage V _{max} [V]	Current I _{max1} [A] *	Current I _{max2} [A] **	Horizontal application			Vertical application		
				Winding length [m]	Ident. No.	Order No.	Winding length [m]	Ident. No.	Order No.
4 x 2.5	415	25	12	8	0030435	SGR01	8	0030435	SGR01
			10	18	0030436	SGR02	17	0030436	SGR02
			12	28	0030439	SGR11	28	0030439	SGR11
7 x 1.5	415	16	5	8	0030437	SGR03	8	0030437	SGR03
			7	18	0030440	SGR12	18	0030440	SGR12
			5	28	0030441	SGR14	28	0030441	SGR14
7 x 2.5	415	25	8	8	0030438	SGR04	8	0030438	SGR04
			10	18	0030442	SGR15	18	0030442	SGR15
			8	28	0030443	SGR17	27	0030450	SGR32
12 x 1.5	415	16	5	8	0030456	SGR70	8	0030456	SGR70
			5	18	0030444	SGR18	18	0030444	SGR18
			4	28	0030445	SGR19	26	0030445	SGR53
12 x 2.5	415	25	8	8	0030457	SGR71	8	0030457	SGR71
			7	18	0030448	SGR22	17	0030451	SGR36
			7	28	0030452	SGR37	27	0030461	SGR90
18 x 1.5	415	16	5	8	0030458	SGR72	8	0030458	SGR72
			4	18	0030447	SGR21	17	0030453	SGR38
			3	28	0030448	SGR22	27	0030462	SGR91
18 x 2.5	415	25	7	8	0030459	SGR73	8	0030459	SGR73
			6	18	0030449	SGR23	18	0030460	SGR82
			6	28	0030454	SGR40	27	0030459	SGR73

* Maximum current [A] with completely wound cable and three conductors loaded (acc. to VDE 0298, part 4)

** Maximum current [A] with completely wound cable and all conductors loaded (acc. to VDE 0298, part 4)

Flange dimensions:

Flange 1 at SRG 01 to SGR 05



Accessories:

Cable stocking:

For strain-relieved suspension of cables - safe and easy to use.

The retaining force of the cable stocking is transferred to a long section of cable via the flexible wire mesh.

Size A:

Order number: 1036969

For cables 7 x 2.5 and smaller

Size B:

Order number: 1036970

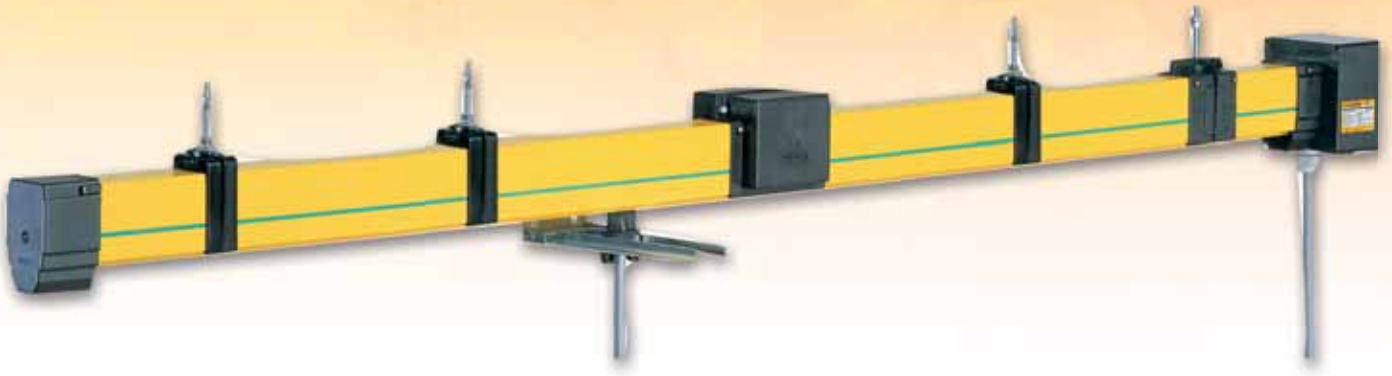
For cables 12 x 1.5 and larger

Product similar to illustrations!

www.torwegge-group.com

Box type conductor rail

The proven and universally applicable system for power supply is used in crane installations, transfer carriages, workstation supply units, and a wide range of other mobile consumers both indoors and outdoors, preferably with a straight track.



Technical data

Design:	4-, 5-, and 7-pin
Nominal current/nominal voltage:	35 A and 60 A/35 V to 600 V
Conductor material:	Copper
Housing material:	PVC
System length:	Up to 100 meters, larger system lengths on request.
Support spacing:	Max. 2000 mm
Driving speed:	Up to 150m/min
Allowable ambient temperature:	-30°C to +55°C
Protection class:	IP 23



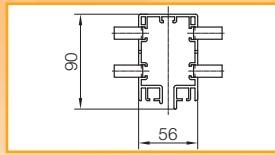
Single carrier gantry crane



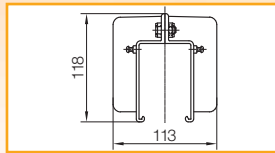
Supply for crane installation

Box type conductor rail

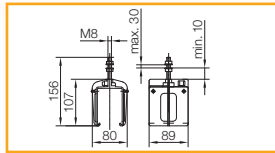
1. Conductor line rails



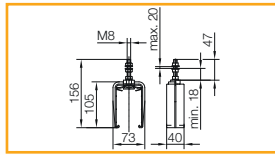
2. Track connector



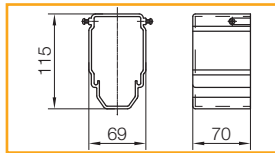
3. Fixed point bracket



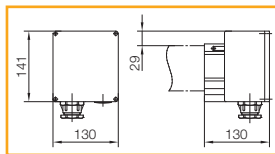
4. Track holding clamp



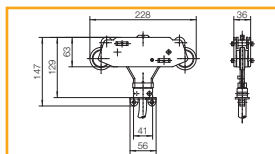
5. End cap



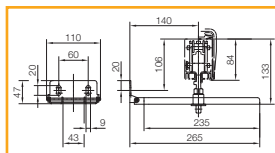
6. End power feed



7. Current collector



8. Fork attachment



Number of poles	Nominal current (A) at 100% duty cycle	Length (m)	Ident. No.	Order No.
4	35	4	0030396	N084213-34x4x12
5			0030397	N084213-34x5x13
7			0030398	N084213-34x7x15
4	60	4	0030399	N084213-54x4x12
5			0030400	N084213-54x5x13
7			0030401	N084213-54x7x15

Number of poles	Ident. No.	Order No.
4	0030402	N084224-4
5	0030403	N084224-5
7	0030404	N084224-7

Ident. No.	Order No.
0030405	N084231-11

1 unit per system

Ident. No.	Order No.
0030406	N084241-11

Max. support spacing 2 meters

Ident. No.	Order No.
0030407	N084271

Number of poles	Nominal current (A)	Cable cross section (mm ²)	Connection	Ident. No.	Order No.
5	35	10	Pg 21	0030408	N084251-051
5	60	16	Pg 29	0030409	N084251-052
7	35	10	Pg 21	0030410	N084251-071
7	60	16	Pg 29+11	0030411	N084251-076

Number of poles	Nominal current 60% duty cycle (A)	Cable cross section (mm ²)	Ident. No.	Order No.
4	25	2.5	0030412	N084201-4x1
4	40	4	0030413	N084201-4x2
5	25	2.5	0030414	N084201-5x1
5	40	4	0030415	N084201-5x2
7	25	2.5	0030416	N084203-7x1
7	40	4	0030417	N084203-7x2

*Other lengths available on request

Ident. No.	Order No.
0030418	N084291-2

For attachment to (customer-supplied) mobile consumer

Product portrait

Zero gravity balancers and spring balancers

For the widest range of applications in industry and handwork



Spring balancers are designed so that with increasing cable extension, the retraction force increases, causing the work load to be pulled back to the initial position by the spring pull. This frees up the workplace for other tools or equipment and keeps it unobstructed.

Balancers are equipped with tapered cable drums. This prevents an increasing retraction force over the entire cable extension. The position of the work load remains unchanged. This enables stress-free working over a longer time period.

The **automatic locking** results in an early retraction stop at a predetermined position, with slow return of the work load. The lock does not engage with fast retraction. Is used if the attached work load should not be completely returned.

Note:

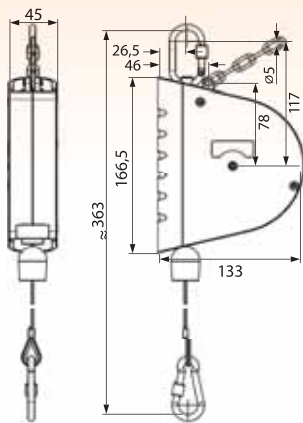
The weight of the tool or equipment to be attached, including the supply line and any necessary accessories, is the main criterion for selection of a spring balancer or balancer.

Spring balancers

According to DIN15112 – practical and safe –



Our spring balancers are indispensable aids for use wherever control switches suspended with strain relief and portable power and air tools, such as drills, drivers, taps and dies, welding and riveting tools, and similar devices must be readily available at a specific height. The equipment suspended by the cable can be moved with minimal effort.



Type 7200

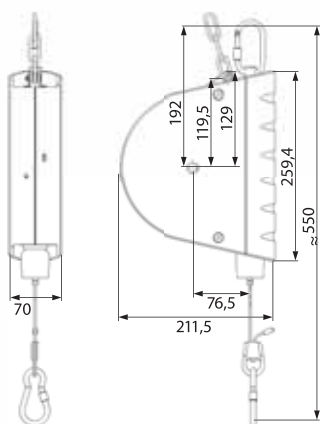
- Housing and cable drum made of plastic.
- Rigid attachment eye.
- Carabiner snap hook
- Infinitely variable load setting through clamping spring tension.
- Tension spring held in press-on tire.
- Adjustable stop within the cable extension device.

Ident. No.	Order No.	Load-carrying capacity (kg)	Cable extension (mm)
0014019	7200/1	0.3 – 1.5	1600
0019441	7200/2	1.2 – 2.5	1600

Type 7211

- Plastic housing and cable drum, cover made of steel sheet.
- Rotatable attachment eye.
- Carabiner snap hook
- Infinitely variable load setting through clamping spring tension.
- Riveted tension spring.

0014029	7211/1-2	0.5 – 2.0	2500
0034148	7211/2-2	1.5 – 3.0	2500



Type 7221

- Plastic housing, cable drum and cover made of steel sheet.
- Rotatable safety hook.
- Carabiner snap hook
- Infinitely variable load setting through clamping spring tension.
- Tension spring held in press-on tire.
- Safeguard in case of spring breakage.
- Cable length adjustment.

0014038	7221/1-3	2.0 – 5.0	3000
0014040	7221/2-3	4.0 – 8.0	3000
0014042	7221/3-3	7.0 – 10.0	3000
0014044	7221/4-3	10.0 – 14.0	3000

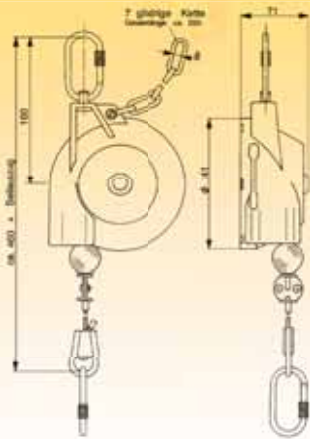
Type 7222

- With automatic locking mechanism.
- Otherwise like type 7221.

Automatic lock			
0014047	7222/1	2.0 – 5.0	3000
0014049	7222/2	4.0 – 8.0	3000
0014051	7222/3	7.0 – 10.0	3000
0014053	7222/4	10.0 – 14.0	3000

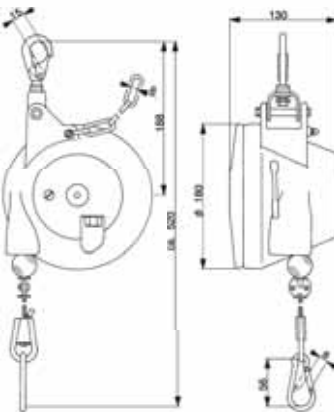
Balancer

According to DIN15112 – practical and safe –



Type 7228 Zero gravity balancers

- Housing and cable drum made of impact-resistant plastic.
- Rotatable safety hook.
- Painted steel sheet housing cover.
- Riveted tension spring.
- Cable length adjustment.
- Cable extension limitation.



Type 7230 Zero gravity balancers

- Housing and cable drum made of plastic.
- Rotatable safety hook.
- Carabiner snap hook
- Riveted tension spring.
- Infinitely variable load setting through worm gear.
- Safeguard in case of spring breakage.
- Locking mechanism.
- Mechanical fall arrester (shackle).
- Cable extension limitation.
- Adjustable stop with rubber buffer.
- Cable length adjustment.

Type 7231 Zero gravity balancers

- With automatic locking mechanism for locking the wire rope.
- Otherwise like type 7230.

Ident. No.	Order No.	Load-carrying capacity (kg)	Cable extension (mm)
0034801	7228/1	0.4 – 1.2	1600
0034804	7228/2	1.2 – 2.6	1600
0034805	7228/3	2.6 – 3.8	1600
0034806	7228/4	3.8 – 5.2	1600
0034807	7228/5	5.2 – 6.5	1600

Ident. No.	Order No.	Load-carrying capacity (kg)	Cable extension (mm)
0014064	7230/1	3.0 – 5.0	2000
0014065	7230/2	4.5 – 7.0	2000
0014066	7230/3	6.0 – 10.0	2000
0014067	7230/4	9.0 – 14.0	2000
0014068	7230/5	13.0 – 17.0	2000

Automatic lock			
Ident. No.	Order No.	Load-carrying capacity (kg)	Cable extension (mm)
0014069	7231/1	3.0 – 5.0	2000
0014070	7231/2	4.5 – 7.0	2000
0014072	7231/3	6.0 – 10.0	2000
0014073	7231/4	9.0 – 14.0	2000
0014074	7231/5	13.0 – 17.0	2000

Nylon cable balancer



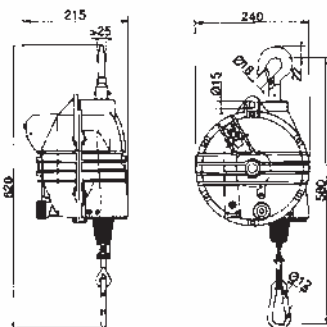
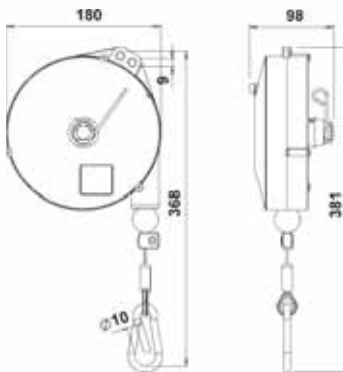
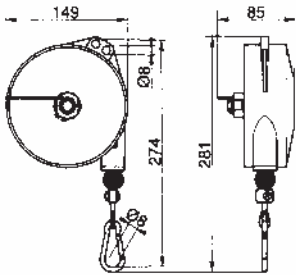
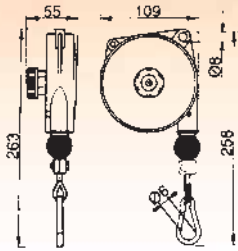
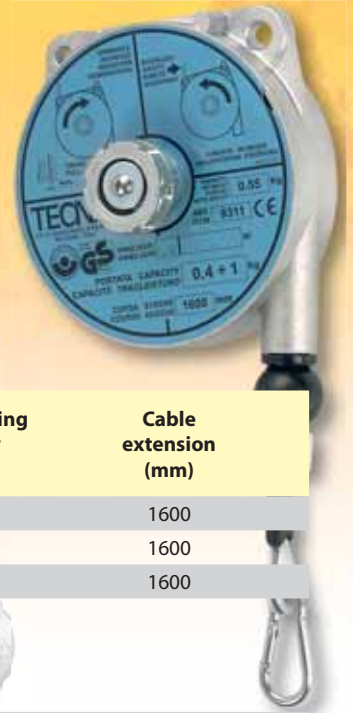
Small balancer series Load-carrying capacity 0.5 – 11 kg

- Housing made of coated steel sheet.

Ident. No.	Order No.	Load-carrying capacity (kg)	Cable extension (mm)
0014153	7301/1	0.5 – 1.5	2300
0014154	7301/2	1.0 – 2.0	2300
0014155	7301/3	2.0 – 3.5	2300
0014156	7302/1	3.0 – 6.0	2300
0014157	7302/2	5.0 – 8.5	2300
0014158	7302/3	8.0 – 11.0	2300

Aluminum spring balancer

- Simple and stable aluminum construction.
- Stainless steel wire cable.
- Adjustable loading range.
- Additional safety suspension.
- Adjustable extension limitation.
- Low-friction cable guide.



Ident. No.	Order No.	Load-carrying capacity (kg)	Cable extension (mm)
0014027	7211/1-1.6	0.4 – 1.0	1600
0014030	7211/2-1.6	1.0 – 2.0	1600
0014031	7211/3-1.6	2.0 – 3.0	1600
0014034	7213/1-2.0	1.0 – 2.5	2000
0014035	7213/2-2.0	2.0 – 4.0	2000
0014036	7213/3-2.0	4.0 – 6.0	2000
0014037	7213/4-2.0	6.0 – 8.0	2000
0014039	7221/1-2.5	2.0 – 4.0	2500
0014041	7221/2-2.5	4.0 – 6.0	2500
0014043	7221/3-2.5	6.0 – 8.0	2500
0014045	7221/4-2.5	8.0 – 10.0	2500
0014046	7221/5-2.5	10.0 – 14.0	2500

Spring balancer with blocking mechanism.

0014048	7222/1-2.5	2.0 – 4.0	2500
0014050	7222/2-2.5	4.0 – 6.0	2500
0014052	7222/3-2.5	6.0 – 8.0	2500
0014054	7222/4-2.5	8.0 – 10.0	2500

Spring balancer (blocking mechanism for securing and releasing the load at the desired height).

0014094	7250/1-2.0	10.0 – 15.0	2000
0014100	7250/2-2.0	15.0 – 20.0	2000
0014102	7250/3-2.0	20.0 – 25.0	2000
0014104	7250/4-2.0	25.0 – 30.0	2000
0014106	7250/5-2.0	30.0 – 35.0	2000
0014108	7250/6-2.0	35.0 – 45.0	2000
0014110	7250/7-2.0	45.0 – 55.0	2000
0014113	7250/8-2.0	55.0 – 65.0	2000
0014115	7250/9-2.0	65.0 – 75.0	2000

Product portrait

C-rail program



Energy is supplied for tools for all work procedures.

Energy supply systems (power and compressed air) and conductor lines (power) for low clearances create freedom of movement in assembly and handling technology. Areas of application include the steel and metal industry, automotive construction, wood and furniture industry, electrical and textile industry, packaging and cleaning sectors, and training workshops.

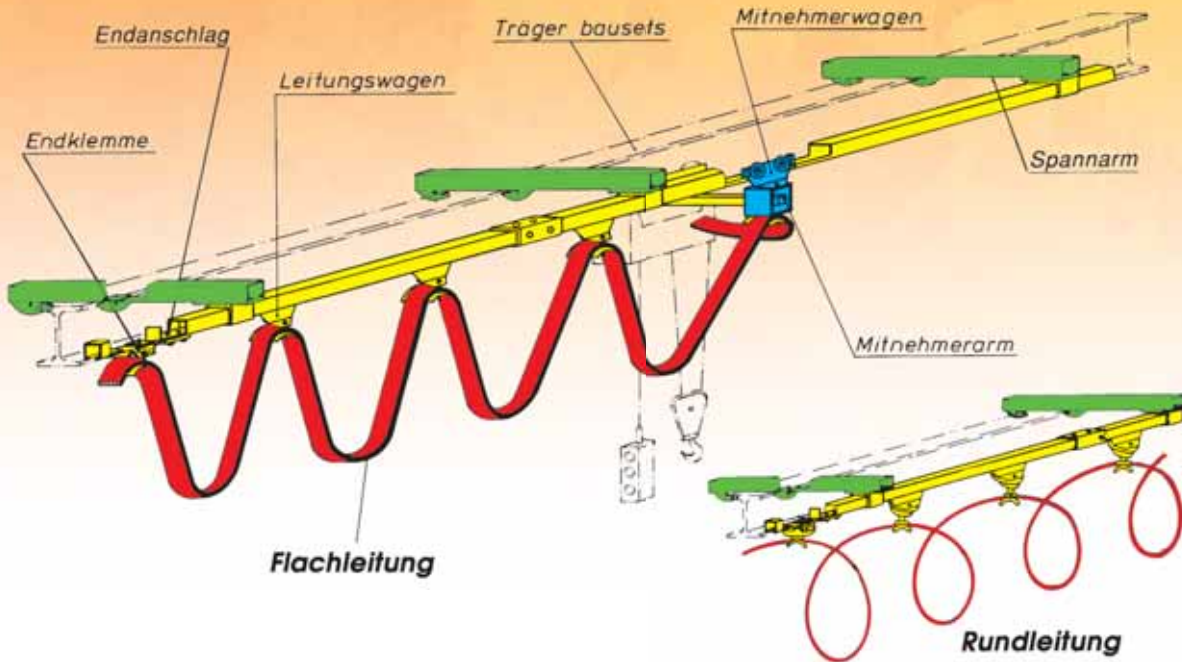
TORWEGGE offers you everything from one source:
Planning – consulting – a complete program!

Supplementary programs:

Line and hose retractors
Balancers, spring balancers.

*Guaranteed accident
safety and tidiness!*

Order form C-rail program
Recommended installation for programs NO 23200 and NO 24100



Fax... and go!
● Copy
● Fill in
● Fax to 0521-93417661
Request for quote
order

Make your own parts list for your energy supply system:

	30		40		Piece/Meter	Page
	Ident. No.	Order No.	Ident. No.	Order No.		
Customer-supplied support		32 x 30 x 2		40 x 40 x 2.5		
Clamping arm		NO 20185 - ____		NO 20186 - ____	____ Piece	____
Clamping jaw		NO 20180-8		NO 20180-8	____ Piece	____

Customer-supplied ceiling construction

C-rail 4000 mm	NO 23200-4	NO 24100-4	____ Meter	____
C-rail 6000 mm	NO 23200-6	NO 24100-6	____ Meter	____
Track holding clamp	NO 23____	NO 24____	____ Piece	____
Track connector	NO 23____	NO 24____	____ Piece	____
End stop	NO 23____	NO 24____	____ Piece	____
Cap	NO 20662-30	NO 20662-40	____ Piece	____

Flat cable
Round cable

End clamp	NO 23____	NO 24____	____ Piece	____
Collector trolleys	NO 23____	NO 24____	____ Piece	____
Cable trolleys	NO 23____	NO 24____	____ Piece	____
Cable holder (round cable)	NO ____-____	NO ____-____	____ Piece	____

C-rails and fastening material

For program 23200 for C-rail 32 x 30 x 2

For program 24100 for C-rail 40 x 40 x 2.5

C-rail

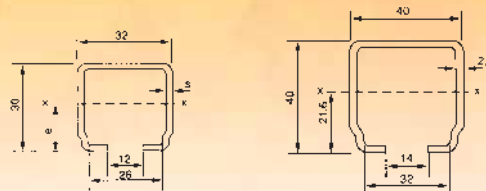
Materials:

Stock length:

Available:

Steel, Sendzimir-galvanized, V4A.

4000 mm / 6000 mm
(Other lengths available on request.)



Available:
Steel, sendzimir-galvanized, V4A.

Dimensions	a,b,s (mm)	32 x 30 x 2	40 x 40 x 2.5		
Static values	Ix (cm ⁴)	2.42	6.74		
	Wx (cm ³)	1.45	3.08		
Weight	(kg/m)	1.560	2.500		
Length tolerance	(mm)	+ 40	+ 40		
		Ident. No.	Order No.	Ident. No.	Order No.
S. galv.	4000 mm	0020473	NO 23200-4	0020611	NO 24100-4
S. galv.	6000 mm	0020475	NO 23200-6	0020613	NO 24100-6
V4A	4000 mm	0028932	NO 23400-4	0028933	NO 24109-4
V4A	6000 mm	0020573	NO 23400-6	0028934	NO 24109-6

Your price advantage: For C-rail pack.



Cap

Materials:

Plastic

Application:

For sealing the ends of the rails.

30

40

Ident. No.	Order No.	Ident. No.	Order No.
0020437	NO 20662-30	0020438	NO 20662-40



Track connector

Materials:

Steel, galvanized

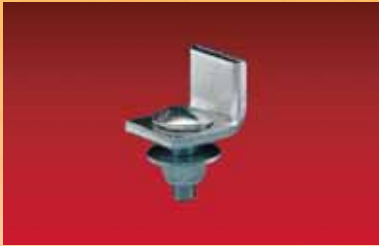
Application:

A track connector must be provided at each joint.

30

40

Ident. No.	Order No.	Ident. No.	Order No.
0020487	NO 23210	0020627	NO 24105
Weight in kg	0.280	Weight in kg	0.610



End stop

Materials: Steel, galvanized; buffer, rubber.
Application: For protecting the cable trolleys at the end of the rail.

30

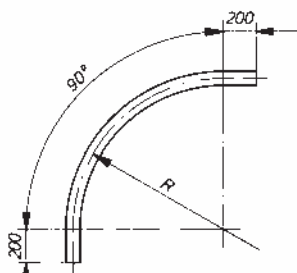
40



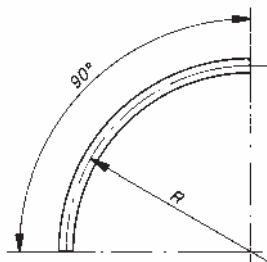
	Ident. No.	Order No.	Ident. No.	Order No.
Sing., w/out buffer	0020488	NO 23215	Not available	
Double, without buffer	0020490	NO 23219	0020629	NO 24110
Double, with buffer	0020489	NO 23218	0020630	NO 24111

90° elbow

Materials: Steel, galvanized.
Application: For a horizontal change in direction of the track.



Design with straight ends with R = 250 to 800 mm.



Design without straight ends R = 1000 mm and larger.



Radius	Extended length	For max. trolley length	For max. cable sag	30		40	
mm	mm	mm	mm	Ident. No.	Order No.	Ident. No.	Order No.
250	793	-	-	0020483	NO 23203-250	-	-
400	1028	80	-	0020484	NO 23203-400	-	-
400	1028	-	-	-	-	0020622	NO 24102-400
600	1342	100	-	0020485	NO 23203-600	-	-
600	1342	-	-	-	-	0020623	NO 24102-600
800	1656	125	-	0020486	NO 23203-800	-	-
800	1656	100	-	-	-	0020624	NO 24102-800
1000	1570	160	350	0020477	NO 23203-1000	-	-
1000	1570	100	350	-	-	0020615	NO 24102-1000
1200	1885	160	420	0020478	NO 23203-1200	-	-
1200	1885	125	420	-	-	0020616	NO 24102-1200
1400	2200	200	490	0020479	NO 23203-1400	-	-
1400	2200	160	490	-	-	0020617	NO 24102-1400
1600	2510	200	560	0020480	NO 23203-1600	-	-
1600	2510	160	560	-	-	0020618	NO 24102-1600
2000	3140	280	700	0020482	NO 23203-2000	-	-
2000	3140	200	700	-	-	0020620	NO 24102-2000

The bends according to this standard are available on short notice. The price of the next size up is charged for in-between sizes. Bends with larger radii are available on request.

Fastening material



Track holding clamp

Materials: Steel, galvanized.
 Application: For fastening the rails.

30

40

Allow. load	P (kg)	63	100
Bracket width	b (mm)	84	112
Hole spacing	a (mm)	60	80
		Ident. No.	Order No.
Without mounting		0020491	NO 23220
With square nut		0020493	NO 23222
With nut and bolt		0020494	NO 23223

Track holding clamp + connector for welded connection

Materials: Steel, bare.
 Small parts galvanized.
 Application: For welded connection or special attachments for installation by customer.

30

40

Bracket length	l (mm)	50	50
Connector length	l (mm)	100	125
		Ident. No.	Order No.
Bracket		0020495	NO 23224
Connector		0020503	NO 23232

Track holding clamp and connector

Materials: Steel, galvanized.
 Application: For fastening and connecting the rails.

30

40

Allow. load	P (kg)	160	250
Bracket length	l (mm)	50	50
Connector length	l (mm)	100	125
Bracket width	b (mm)	80	110
Connector width	b (mm)	80	110
Hole spacing	a (mm)	60	80
		Ident. No.	Order No.
Bracket	without mounting	0020496	NO 23225
	with square nut	0020497	NO 23226
	with nut and bolt	0020498	NO 23227
Connector	without mounting	0020499	NO 23228
	with square nut	0020500	NO 23229
	with nut and bolt	0020501	NO 23230

Fastening material



Track holding clamp

Materials: Steel, galvanized.
Application: For fastening the rails.

30

40

Allow. load	P (kg)	100	250
Bracket length	l (mm)	50	50
	Ident. No.	Order No.	Ident. No.
Bracket	0020506	NO 23241	0020640



Track holding clamp

Materials: Steel, galvanized.
Application: For fastening the rails.

30

40

Allow. load	P (kg)	100	250
Bracket length	l (mm)	50	50
	Ident. No.	Order No.	Ident. No.
Bracket	0020507	NO 23242	0020641



Track holding clamp

Materials: Steel, galvanized.
Application: For fastening the rails.

30

40

Allow. load	P (kg)	100	250
Bracket length	l (mm)	50	50
	Ident. No.	Order No.	Ident. No.
Bracket	0020505	NO 23240	0020639



Track holding clamp and connector

Materials: Steel, galvanized.
Application: For fastening and connecting the rails.

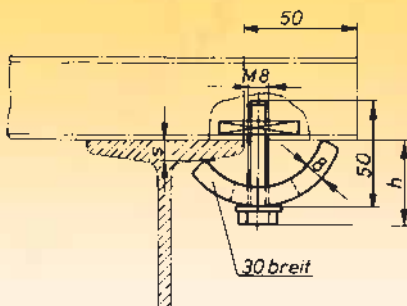
30

40

Allow. load	P (kg)	63	100
Bracket length	l (mm)	50	50
Connector length	l (mm)	100	125
Length of thread M8	(mm)	48	45
	Ident. No.	Order No.	Ident. No.
Bracket	0020502	NO 23231	0020636
Connector	0020504	NO 23233	0020647



Fastening material



Clamping jaw

Materials: Steel, galvanized.
Application: For fastening the clamping arm to the T-beam

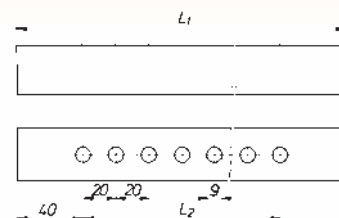
Clamping thickness »s« (mm)	4	6	8	10	12	16	20
Installation height »h« (mm)	31	32	33	34	35	37	40



Ident. No.	0020365	0020365
Order No.	NO 20180-8	NO 20180-8

Also available:

Ident. No.	Order No.
0020363	NO 20180-10
0020364	NO 20180-12



Clamping arm

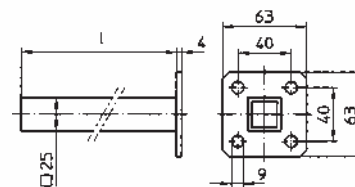
Materials: Steel, galvanized.
Application: For clamping the rail.



30

40

L1	L2	30		40	
mm	mm	Ident. No.	Order No.	Ident. No.	Order No.
250	200	0020369	NO 20185-250	0020381	NO 20186-250
315	260	0020370	NO 20185-315	0020382	NO 20186-315
400	340	0020371	NO 20185-400	0020383	NO 20186-400
500	340	0020372	NO 20185-500	0020384	NO 20186-500
630	340	0020373	NO 20185-630	0020385	NO 20186-630
800	340	0020374	NO 20185-800	0020386	NO 20186-800
1000	340	0020367	NO 20185-1000	0020379	NO 20186-1000
1250	340	0020368	NO 20185-1250	0020380	NO 20186-1250



30

40

Carrier arm

Materials: Steel, galvanized.
Application: For transporting the collector trolley.



Length L	30		40	
mm	Ident. No.	Order No.	Ident. No.	Order No.
400	0020388	NO 20195-400	0020388	NO 20195-400
630	0020389	NO 20195-630	0020389	NO 20195-630

Bolt + bolt assembly

30

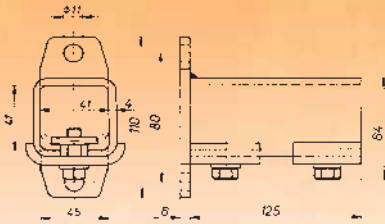
40

Ident. No.	0020362	0020362
Order No.	NO 20176-8x16	NO 20176-8x16



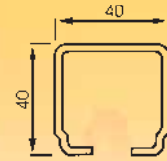
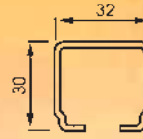
Leaving technical changes!

Fastening material

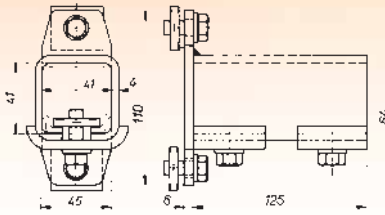


Track holding clamp

Materials: Steel, galvanized.



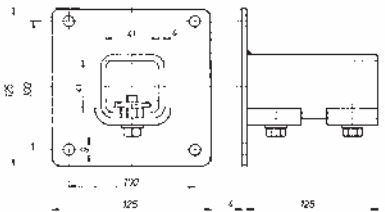
	Ident. No.	Order No.	Ident. No.	Order No.
Bracket	0020410	NO 20280	0020412	NO 20282
Clamping arm		NO 20185		NO 20186



Materials: Steel, galvanized.



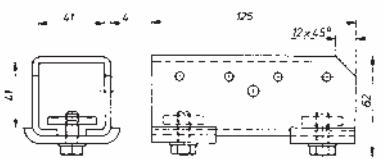
	Ident. No.	Order No.	Ident. No.	Order No.
Bracket	0020411	NO 20281	0020413	NO 20283
Clamping arm		NO 20185		NO 20186



Materials: Steel, galvanized.



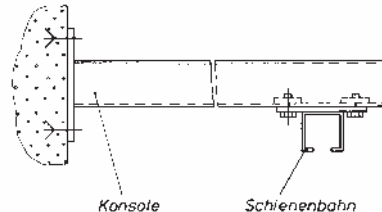
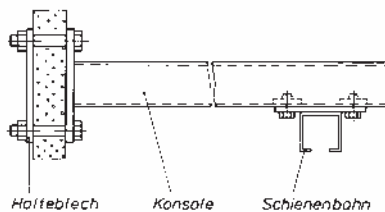
	Ident. No.	Order No.	Ident. No.	Order No.
Bracket	0020414	NO 20284	0020414	NO 20284
Clamping arm	-	-		NO 20186



Materials: Bracket – steel, bare.
Counter plate – steel, galvanized. For welded connection.



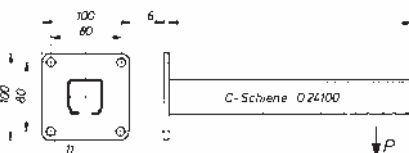
	Ident. No.	Order No.	Ident. No.	Order No.
Bracket	0020415	NO 20285	0020428	NO 20286
Clamping arm		NO 20185		NO 20186



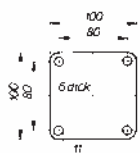
Possible mounting types

Bracket

Materials: Steel, galvanized.



Weight P max kg	Length L mm	30		40	
		Ident. No.	Order No.	Ident. No.	Order No.
80	500	0020391	NO 20206-500	0020391	NO 20206-500
63	630	0020392	NO 20206-630	0020392	NO 20206-630
50	800	0020393	NO 20206-800	0020393	NO 20206-800
40	1000	0020390	NO 20206-1000	0020390	NO20206-1000



Holding plate

Materials: Steel, galvanized.



Ident. No.	Order No.	Ident. No.	Order No.
0020429	NO 20295	0020429	NO 20295

Cable trolleys for flat cables



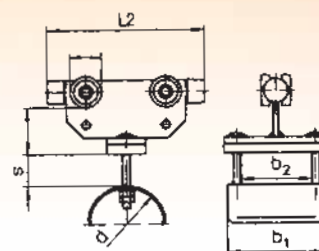
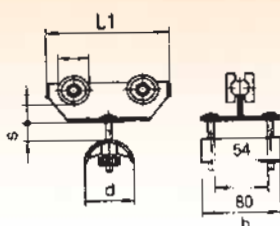
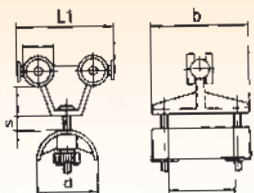
A



B + C



D



Load-carrying capacity P Length 1 L1 Length 2 L2 Support width b Radius d

30

23200

40

24100

Fig.	Design	kg	mm	mm	mm	mm	Ident. No.	Order No.	Ident. No.	Order No.
	Ball bearing roller in galvanized steel. Plastic load-carrying part.	20	80	-	80	50	0020591	NO 23941	Not available	
		20	125	-	80	50	0020594	NO 23951	Not available	
		20	125	-	80	80	0020600	NO 23971	Not available	
A	Polyamide plain bearing roller, yellow. Plastic load-carrying part.	10	80	-	80	50	0020593	NO 23943	Not available	
		10	125	-	80	50	0020595	NO 23953	Not available	
		10	125	-	80	80	0020601	NO 23973	Not available	
B	Ball bearing roller in galvanized steel. Load-carrying part in galvanized steel sheet. Plastic support and half-nut.	20/32	80	-	80	50	0020514	NO 23261	0020679	NO 24240-80
		20/32	125	-	80	50	0020515	NO 23263	0020678	NO 24240-125
		20/32	125	-	80	80	0020522	NO 23271	0020680	NO 24241
C	Ball bearing roller in galvanized steel. Load-carrying part in galvanized steel sheet. Plastic support and half-nut, holes for strain relief.	20/32	100	-	80	50	0020516	NO 23265-100	0020681	NO 24242-100
		20/32	-	125	80	50	0020517	NO 23265-125	0020682	NO 24242-125
		20/32	100	-	80	80	0020523	NO 23275-100	0020683	NO 24243-100
D	Ball bearing roller in galvanized steel. Load-carrying part in galvanized steel. Support and small parts in galvanized steel. Rubber clamping piece; holes for strain relief.	20/32	-	125	100	80	0020543	NO 23330-125x100	0020661	NO 24210-125x100
		20/32	100	-	160	80	0020542	NO 23330-105x160	0020660	NO 24210-100x160
		20/32	-	125	160	80	0020544	NO 23330-125x160	0020662	NO 24210-125x160
		20/32	135	-	100	80	0020545	NO 23330-140x100	0020663	NO 24210-135x100
		20/32	-	160	100	80	0020548	NO 23330-160x100	0020665	NO 24210-160x100
		20/32	135	-	160	80	0020546	NO 23330-140x160	0020664	NO 24210-135x160
		20/32	-	160	160	80	0020549	NO 23330-160x160	0020666	NO 24210-160x160
		20/32	175	-	100	80	0020550	NO 23330-180x100	0020667	NO 24210-175x100
		20/32	-	200	100	80	0020552	NO 23330-200x100	0020669	NO 24210-200x100
		20/32	175	-	160	80	0020551	NO 23330-180x160	0020668	NO 24210-175x160
		20/32	-	200	160	80	0020553	NO 23330-200x160	0020670	NO 24210-200x160

Cable trolleys length 1 without rubber buffer. Cable trolley length 2 with rubber buffer.

Collector trolleys for flat cables



A



B + C



D

Fig.	Design	Load-carrying capacity P kg	Length 1 L1 mm	Length 2 L2 mm	Support width b mm	Radius d mm	30		40		
							Ident. No.	Order No.	Ident. No.	Order No.	
A	Ball bearing roller in galvanized steel. Plastic load-carrying part.	20	125	-	80	50	0020597	NO 23956	-	-	
		20	125	-	80	80	0020602	NO 23976	-	-	
	Polyamide plain bearing roller, yellow. Plastic load-carrying part.		10	125	-	80	50	0020598	NO 23958	-	-
	10	125	-	80	80	0020603	NO 23978	-	-		
B	Ball bearing roller in galvanized steel. Load-carrying part in galvanized steel sheet. Plastic support and half-nut.	20	125	-	80	50	0020518	NO 23267	0020685	NO 24250	
		20	125	-	80	80	0020525	NO 23277	0020686	NO 24251	
C	Ball bearing roller in galvanized steel. Load-carrying part in galvanized steel sheet. Plastic support and half-nut, holes for strain relief.	20/32	100	-	80	50	0020519	NO 23268-100	0020687	NO 24252-100	
		20/32	-	125	80	50	0020520	NO 23268-125	0020688	NO 24252-125	
		20/32	100	-	80	80	0020526	NO 23278-100	0020689	NO 24253-100	
		20/32	-	125	80	80	0020527	NO 23278-125	0020690	NO 24253-125	
D	Ball bearing roller in galvanized steel. Load-carrying part in galvanized steel. Support and small parts in galvanized steel. Rubber clamping piece; holes for strain relief.	32	-	200	100	80	-	-	0020673	NO 24220-200x100	
		32	-	200	160	80	-	-	0020674	NO 24220-200x160	

Cable trolleys length 1 without rubber buffer. Cable trolley length 2 with rubber buffer.

End clamps for flat cables



A/B/C



D

Fig.	Design	Load-carrying capacity P kg	Length 1 L1 mm	Length 2 L2 mm	Support width b mm	Radius d mm	30		40	
							Ident. No.	Order No.	Ident. No.	Order No.
A/B/C	Load-carrying part in galvanized steel sheet.	20	75	-	80	50	0020521	NO 23269	0020521	NO 23269
		20	75	-	80	80	0020528	NO 23279	0020528	NO 23279
D	Load-carrying part in galvanized steel.	32	106	-	100	80	0020675	NO 24230-100x62	0020675	NO 24230-100x62
		2	106	-	160	80	0020676	NO 24230-160x62	0020676	NO 24230-160x62

Cable trolleys for round cables



A



B



Hole for strain relief

C



D

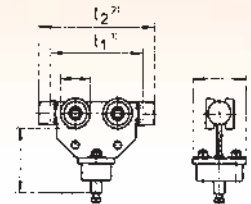
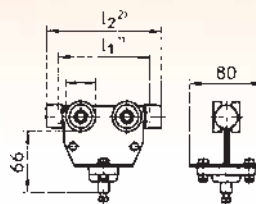
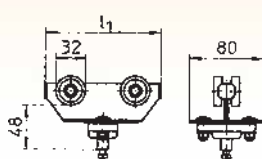
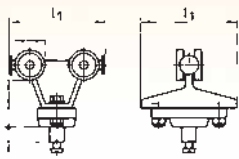


Fig.	Design	Appl. cable holder	Load-carrying capacity P	Length 1 L1	Length 2 L2	Width b	30		40	
							Ident. No.	Order No.	Ident. No.	Order No.
	Ball bearing roller in galvanized steel. Plastic load-carrying part.	NO 20131	20	80	-	80	0020605	NO 23991	-	-
A	Plastic plain bearing roller, yellow. Plastic load-carrying part.	ditto	10	80	-	80	0020607	NO 23993	-	-
B	Ball bearing roller in galvanized steel. Load-carrying part in galvanized steel sheet. Plastic ball joint, yellow.	ditto	20/32	80	-	80	0020529	NO 23291	0020702	NO 24313-80
		ditto	20/32	125	-	80	-	-	0020701	NO 24313
C	Ball bearing roller in galvanized steel. Load-carrying part in galvanized steel sheet. Plastic ball joint, yellow. Holes for strain relief.	ditto	20/32	100	-	80	-	-	0020691	NO 24306-100
		ditto	20/32	-	125	80	0020530	NO 23291-125	0020692	NO 24306-125
D	Ball bearing roller in galvanized steel. Load-carrying part in galvanized steel. Plastic ball joint, yellow. Holes for strain relief.	ditto	32	100	-	55	-	-	0020695	NO 24310-100
		ditto	32	-	125	55	-	-	0020696	NO 24310-125
		ditto	32	-	160	55	-	-	0020697	NO 24310-160
		ditto	32	-	200	55	-	-	0020698	NO 24310-200

Length 1 without rubber buffer. Length 2 with rubber buffer.

Leaving technical changes!



Cable holder for screwing from below; see page H 25.

Collector trolleys for round cables



A

B + C

D

Fig.	Design	Appl. cable holder	Load-carrying capacity P	Length		Width	30		40	
				L1	L2		23200	24100		
			kg	mm	mm	mm	Ident. No.	Order No.	Ident. No.	Order No.
	Ball bearing roller in galvanized steel. Plastic load-carrying part.	NO 20131	20	125	-	80	0020608	NO 23996	-	-
A	Polyamide plain bearing roller, yellow. Plastic load-carrying part.	ditto	10	125	-	80	0020609	NO 23998	-	-
B	Ball bearing roller in galvanized steel. Load-carrying part in galvanized steel sheet. Plastic ball joint.	ditto	20/32	125	-	80	0020534	NO 23297	0020703	NO 24314
C	Ball bearing roller in galvanized steel. Load-carrying part in galvanized steel sheet. Plastic ball joint. Holes for strain relief.	ditto	32	-	100	80	-	-	0020693	NO 24207-100
		ditto	20/32	-	125	80	0020537	NO 23300-125	0020694	NO 24307-125
D	Ball bearing roller in galvanized steel. Load-carrying part in galvanized steel. Galvanized steel ball joint Holes for strain relief.	ditto	32	-	200	80	-	-	0020699	NO 24311

Length 1 without rubber buffer. Length 2 with rubber buffer.

End clamps for round cables



Fig.	Design	Appl. cable holder	Load-carrying capacity P	Length		Width	30		40	
				L1	L2		23200	24100		
			kg	mm	mm	mm	Ident. No.	Order No.	Ident. No.	Order No.
	Plastic load-carrying part, small parts made of galvanized steel.	NO 20131	20/32	-	-	-	0020536	NO 23299	0020700	NO 24312



Cable holder for screwing from below; see page H 25.

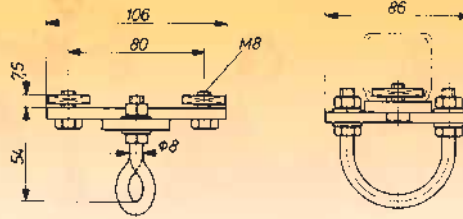
Cable trolley, collector trolley and end clamp for round cables



A + B



C + D



E

Fig.	Design	Appl. cable holder	Load-carrying capacity P	Length		Width b	30		40	
				L1	L2		23200	24100		
			kg	mm	mm	mm	Ident. No.	Order No.	Ident. No.	Order No.
A	Cable trolleys	NO 20133	20	80	-	74	0020531	NO 23293*	-	-
	Load-carrying part in galvanized steel sheet. Bracket, galvanized.	ditto	32	100	-	80	-	-	0020704	NO 24316-100*
		ditto	20/32	-	125	80	0020532	NO 23293-125	0020705	NO 24316-125
B	As above	ditto	32	100	-	86	-	-	0020709	NO 24320-100
	Load-carrying part in galvanized steel.	ditto	32	-	125	86	-	-	0020710	NO 24320-125
		ditto	32	-	160	86	-	-	0020711	NO 24320-160
		ditto	32	-	200	86	-	-	0020712	NO 24320-200
C	Collector trolleys	ditto	32	175	-	-	-	-	0020706	NO 24317-175*
	Design A.	ditto	32	-	200	-	-	-	0020707	NO 24317-200
D	Collector trolleys	ditto	32	-	200	80	-	-	0020713	NO 24321
	Design B.									
E	End clamp	ditto	32	-	-	-	0020535	NO 23298	0020708	NO 24318
		ditto	32	-	-	-	-	-	0020714	NO 24322



Length 1 without rubber buffer. Length 2 with rubber buffer.
* without rubber buffer

For related cable holders with mounting brackets, see page H 25.

Cable trolley upper parts

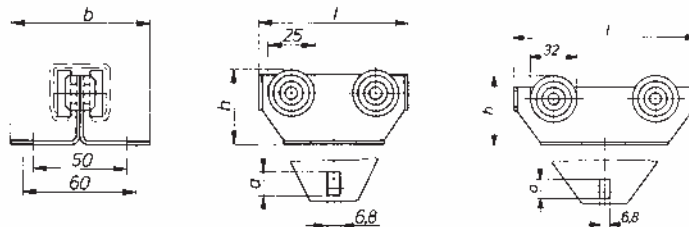
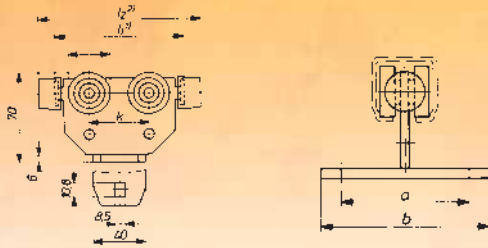


Fig.	Design	Load-carrying capacity P	Length		Width b	Height h	30		40	
			L1	L2			23200	24100		
		kg	mm	mm	mm	mm	Ident. No.	Order No.	Ident. No.	Order No.
Ball bearing roller in galvanized steel.		20	80	-	74	40	0020512	NO 23258	-	-
		32	80	-	74	45	-	-	0020754	NO 24512-80
Load-carrying part in galvanized steel sheet.		20	125	-	80	45	0020513	NO 23259	-	-
		32	125	-	86	50	-	-	0020753	NO 24512

Leaving technical changes!

Special trolley



Load-carrying capacity

30

40

Fig.	Design	P	L1	L2	a	b	h	Ident. No.	Order No.	Ident. No.	Order No.
		kg	mm	mm	mm	mm	mm	23200		24100	
		32	135	160	80	106	70	-	-	0020750	NO 24510-160x100

Ball bearing roller in galvanized steel.
Load-carrying part in galvanized steel sheet.

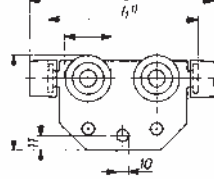
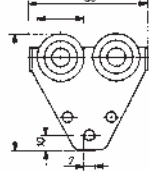
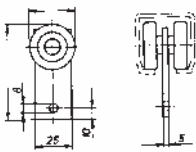
Length 1 without rubber buffer. Length 2 with rubber buffer.

Cable trolleys

1

2

3



Bearing Accessories Length Height

30

40

Fig.	Design	Bearing	Accessories	L	h	Ident. No.	Order No.	Ident. No.	Order No.
1	2-rollers Load-carrying part: 23200 plastic 24100 steel, galv.	Ball bearings	Without	-	56,5/66	0020563	NO 23361	0020718	NO 24330
			S hook	-	56,5/66	0020565	NO 23363	0020720	NO 24332
			Webbing	-	56,5/66	0020567	NO 23365	0020722	NO 24334
			Ring	-	56,5/66	0020569	NO 23367	-	-
1	2-rollers Load-carrying part: Plastic	Plain bearing	Without	-	56,5/66	0020564	NO 23362	0020719	NO 24331
			S hook	-	56,5/66	0020566	NO 23364	0020721	NO 24333
			Webbing	-	56,5/66	0020568	NO 23366	0020723	NO 24335
			Ring	-	56,5/66	0020570	NO 23368	-	-
2	4-rollers Load-carrying part: Steel sheet, galvanized.	Ball bearings	Without	80	72/80	0020554	NO 23351	0020715	NO 24323
			S hook	80	72/80	0020557	NO 23353	0020716	NO 24324
			Webbing	80	72/80	0020558	NO 23355	0020717	NO 24325
			Carabiner	80	72/80	0020572	NO 23373	-	-
3	4-rollers Load-carrying part: Steel, galv.	Ball bearings	Without	100	43	-	-	-	-
			Without	100	64	-	-	0020724	NO 24340-100
			Rubber buffer	125	64	-	-	0020725	NO 24340-125
			S hook	100	43	-	-	-	-
			S hook	100	64	-	-	0020729	NO 24342-100
	S hook/R stop	125	64	-	-	0020730	NO 24342-125		

Length 125 with rubber buffer.

Cable holders

Materials: CH size 16, 25, 36 = plastic.
LH size 50 = Aluminum.
Small parts galvanized.

Working temperature: -30°C to +80°C.

Application: The cable holders are intended for use with round cables and hoses. One or more different cable holder(s) can be attached under the cable trolley. It must be ensured that the largest holder is attached to the top.

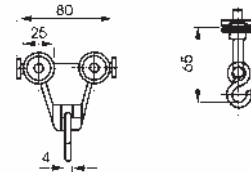


	Cable Ø	Material		
	mm		Ident. No.	Order No.
For screw fastening from below	10 – 16	KU	0020337	NO 20131-16
	17 – 25	KU	0020338	NO 20131-25
	26 – 36	KU	0020339	NO 20131-36
	37 – 50	ALU	0020340	NO 20131-50
	51 – 63	ALU	0020341	NO 20131-63
With mounting bracket	10 – 16	KU	0020343	NO 20133-16
	17 – 25	KU	0020344	NO 20133-25
	26 – 36	KU	0020345	NO 20133-36
	37 – 50	ALU	0020346	NO 20133-50
	51 – 63	ALU	0020347	NO 20133-63

Cable trolleys



Materials: Plastic load-carrying part.
Bearings, see table.

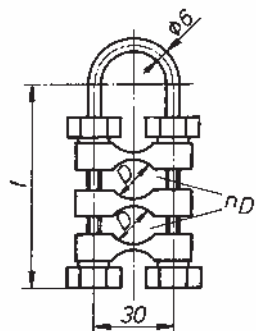


30

40

Design	Ident. No.	Order No.	Ident. No.	Order No.
Plain bearing, polyamide	0020511	NO 23254	0020740	NO 24504
Plain bearing, w/ S hook	0020589	NO 23900	-	-

Brackets



Materials: Bracket, galvanized.
Clamping parts, plastic.

Number of openings	Total of all single Øs			
	mm	max.	Ident. No.	Order No.
1	8 – 18		0020348	NO 20137-1x18
1	8 – 22		0020349	NO 20137-1x22
2	32		0020350	NO 20137-2x32
3	30		0020351	NO 20137-3x30
3	50		0020352	NO 20137-3x50
4	48		0020353	NO 20137-4x48

More bracket types on request.

Special accessories

Note!

Other trolleys, accessories, etc., also in the area of the suspension tracks, starting on page H 38.



Cross beam trolleys for control elements/self-assembly

Materials: Steel, galvanized, cross beam, yellow coated.

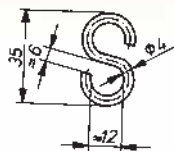
Trolley length mm	Load-carrying capacity	30		40		
		Ident. No.	Order No.	Ident. No.	Order No.	
500	40dN	0020991	NO 47200-500	50dN	0020994	NO 47250-500
630	40dN	0020992	NO 47200-630	50dN	0020995	NO 47205-630
800	40dN	0020993	NO 47200-800	50dN	0020996	NO 47250-800

Brackets for suspending spring balancers, etc. can be ordered.

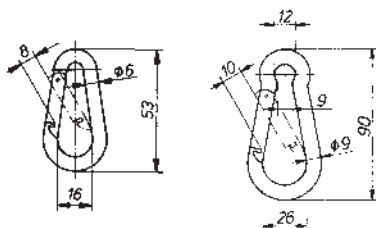
NO 40011-60x8

S hook

Materials: Steel, galvanized.
Weight: 0.010 kg



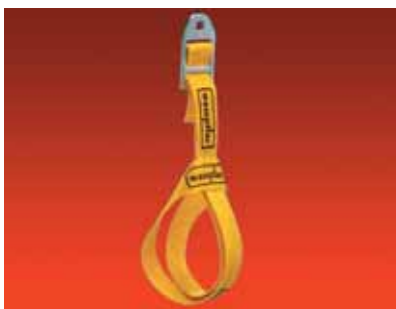
Ident. No.	0020336
Order No.	NO 20118-45x4



Carabiner snap hook

Materials: Steel, galvanized.
Weight: 0.025 kg

Ident. No.	0020397
Order No.	NO 20216-90x9



Webbing

Materials: Clasp: Steel, galvanized.
Belt: Diols.

Ident. No.	0020169	0020168
Order No.	NO 20117-80	NO 20117-160



Cable clamp for round cables

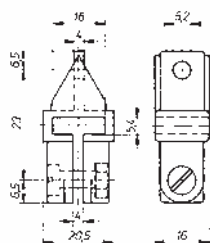
Materials: Bracket: Plastic.
Small parts: Steel, galvanized.

Cable Ø d	Ident. No.	Order No.
mm		
10	0020162	NO 20111-10
12.5	0020163	NO 20111-12.5
16	0020164	NO 20111-16
20	0020165	NO 20111-20

Cable clamp for flat cables

Materials: Bracket: Plastic.
Small parts: Steel, galvanized.

Ident. No.	0020167
Order No.	NO 20114



Special accessories



Distance piece

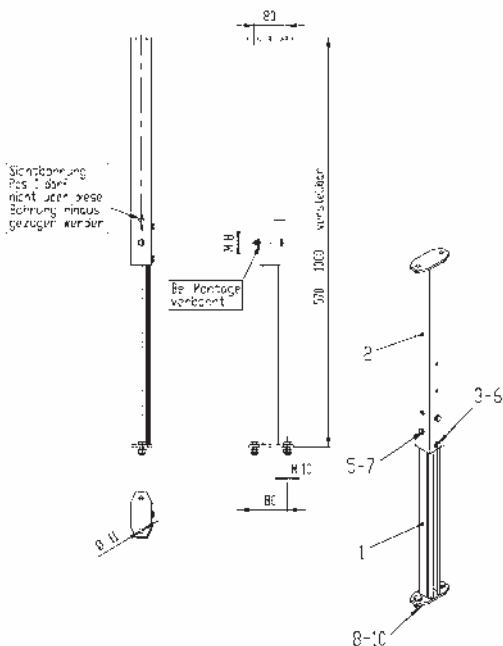
For suspending track holding clamps to C-rails NO 23200 and NO 24100.

Use if, e.g., rows of lights or ventilation pipes or ducts do not allow for direct attachment of the crane track to the ceiling.

Materials: Steel, coated with RAL 7016 anthracite.

Permissible load: For NO 40241 160 daN.
For NO 40242 250 daN.

For track holding clamp to C-rail	h	a	Weight	Ø d	30		Weight	Ø d	40	
					23200	24100			23200	24100
	mm	mm	kg	mm	Ident. No.	Order No.	kg	mm	Ident. No.	Order No.
Distance piece	250	60	0.735	M8	0028926	NO 40241-0250	0.755	M10	0028929	NO 40242-0250
	500	60	1.14	M8	0028927	NO 40241-0500	1.165	M10	0028930	NO 40242-0500
	1000	60	1.185	M8	0028928	NO 40241-1000	1.965	M10	0028931	NO 40242-1000



Materials: Steel, coated with RAL 7016 anthracite.

Distance piece, adjustable

For suspending track holding clamps to C-rails NO 24100.

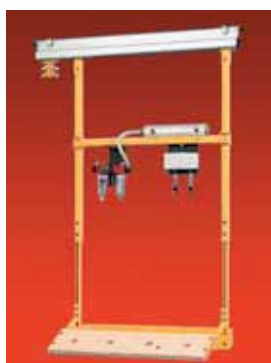
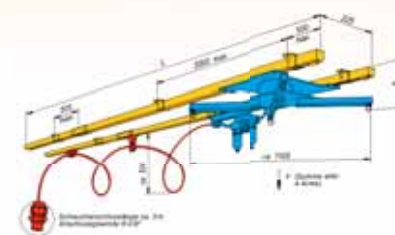
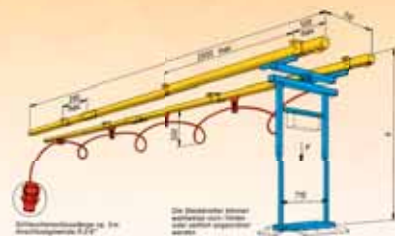
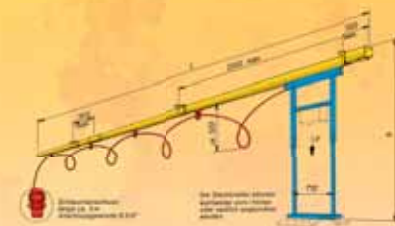
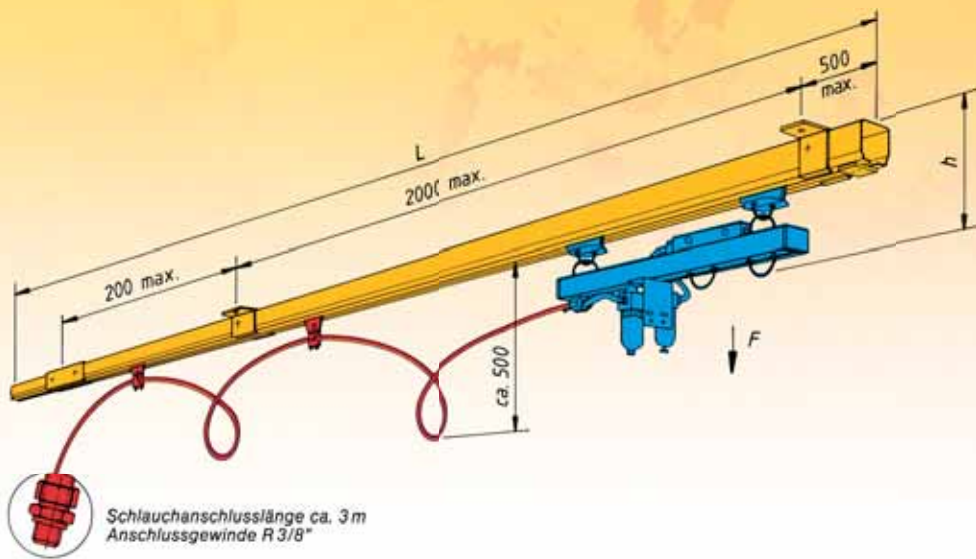
Set the distance piece to the desired suspension height and secure in place using clamping screws 1. Drill the hole for locking screw 2 and install the locking screw. The dimension "h" must not exceed the maximum specified value.

Can be adapted to suit lower heights by shortening of both parts.

For track holding clamp to C-rail	h (max./min.)	Minimum overlap	Permissible load	Weight	40	
					24100	Ident. No.
	mm	mm	daN	kg	Ident. No.	Order No.
Distance piece	1000/570	110	200	2.3	0020828	NO 40243-1

One- and two-rail track

With equipment cart (EBG), tool carrier cart (EBW, ZBW) or spider assembly (ZBD).



Design		A	B	C
Compressed air connection:	2 x 3/8"	x	-	x
Electrical connection:	4/2x220 V~	x	x	-
Perm. current load:	10/16 A	x	x	-
Maintenance unit:	R 3/8"	x	-	x
Connecting thread:	R 3/8"	x	-	x
Compressed air hose, nominal size:	9.5 mm	x	-	x

Order No.	Track profile		Load-carrying capacity F	Rail track length L	Height h	Remark
			daN	m	mm	
NO EBG 47311-□□□	30	23200	40	02, 04, 06, 08, 10, 12, 16, 20 (Standard lengths)	185	Reductions R 3/8" a x R 1/4" for compressed air included with the cart.
NO EBG 47411-□□□	40	24100	63		215	
NO ZBW 47431-□□□	40	24100	50	ditto	1650-2800	ditto
NO ZBW 47432-□□□	40	24100	63	ditto	1700-2920	ditto
NO ZBD 47352-□□□	30	23200	50 max. 20 per arm	03, 04, 06, 08, 10, 12, 16, 20 (Standard lengths)	215	ditto The load-carrying capacities apply to the spider assembly. Spider assemblies with electrical connections can also be retrofitted for HF tools.
NO ZBD 47452-□□□	40	24100	50 max. 20 per arm		245	

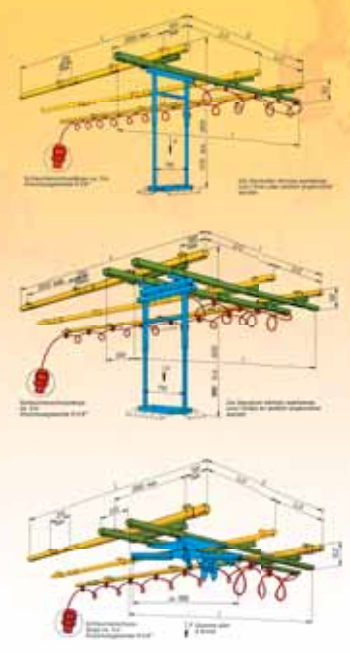
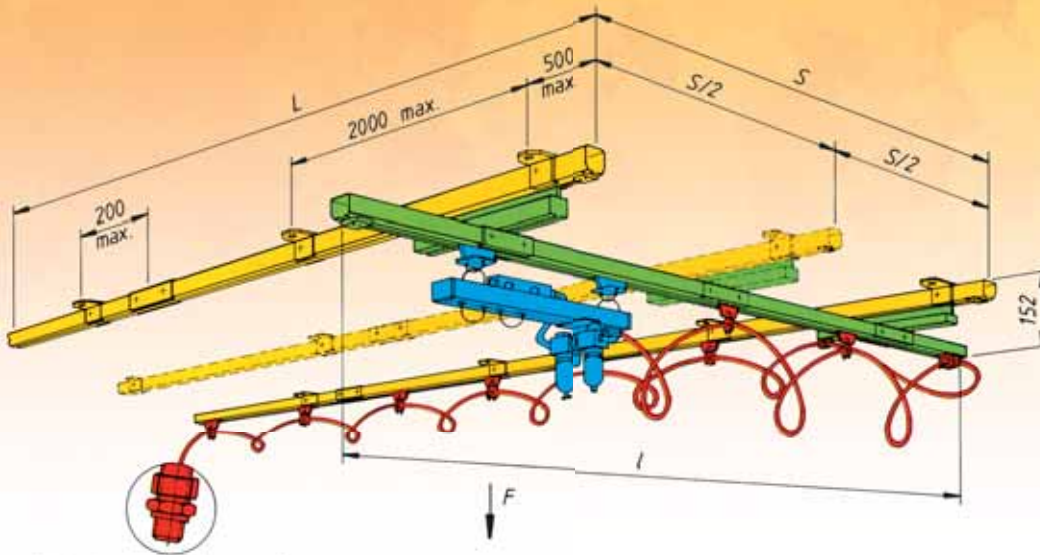
Leaving technical changes!

Order No.: NO 47... - □□□

Track type
Rail track length L (m)
Design (A, B, C)

One- and two-carrier equipment crane

With equipment cart (EGG), tool carrier cart (EGW, ZGW) or spider assembly (ZGD).



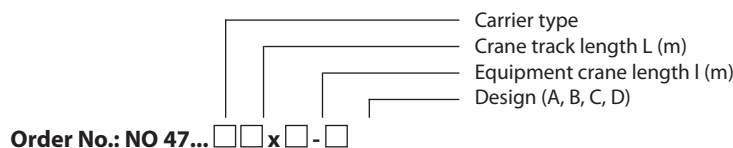
Schlauchanschlusslänge ca. 3m
Anschlussgewinde R 3/8"



Design		A	B	C	D
Compressed air connection:	2 x 3/8"	x	-	x	x
Electrical connection:	4/2x220 V~	x	x	-	x
Perm. current load:	10/16 A	x	x	-	x
Maintenance unit:	R 3/8"	x	-	x	x
Connecting thread:	R 3/8"	x	-	x	x
Compressed air hose, nominal size:	9.5 mm	x	-	x	x
Fixed storage boxes, size 5:	6 pc.	-	-	-	x



Order No.	Track profile	Load-carrying capacity F	Crane track length L	Equipment crane length L	Remark	
		daN	m	mm		
NO EGG 47415-□□□	40	24100	50	04, 06, 08, 10, 12, 16, 20 (Standard lengths)	3, 4, 5, 6, (Standard lengths)	Reductions R 3/8" a x R 1/4" i for compressed air included with the cart.
NO EGW 47435-□□□	40	24100	50	ditto	ditto	ditto
NO ZGW 47436-□□□	40	24100	63	ditto	ditto	ditto
NO ZGD 47456-□□□	40	24100	50 max. 20 per arm	ditto	ditto	ditto The load-carrying capacities apply to the spider assembly. Spider assemblies with electrical connections can also be retrofitted for HF tools.



Running gears for equipment cranes

Medium-weight design with horizontal guide rollers.



Running gear for special purposes.
Materials:
Bright steel

Running gear for single-support equipment crane.
Materials:
Steel, galvanized.

Running gear for double-support equipment crane.
Materials:
Steel, galvanized.



C-rail	NO 145005		NO 146005		NO 147005		NO 148005		
Technical data	Ident. No.	Order No.	Ident. No.	Order No.	Ident. No.	Order No.	Ident. No.	Order No.	
	L2	0028981	NO 43612-370	0028982	NO 43622-400	0028983	NO 43632-560	0028984	NO 43642-560
	L2	0028985	NO 43614-450	0028986	NO 43624-475	See heavy-duty design.			
	L2	0028989	NO 43616-450	0028990	NO 43626-475				
Dimensions (mm)	L3	200		200					
	d1	32		40		52		62	
	d2	32		42		52		68	
	h1	28		25		16		18	
	h2	75		80		-		-	
	S	5		6		8		8	
	C	125		160		200		250	

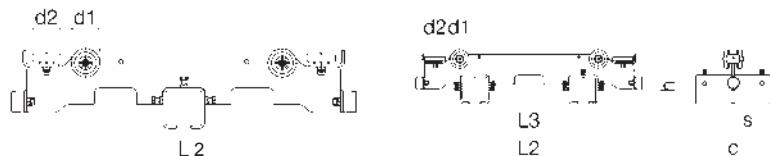
Running gears for equipment cranes

Heavy-duty design with horizontal guide rollers.



Running gear for single-support equipment crane.
Materials: Steel, galvanized.

Running gear for double-support equipment crane.
Materials: Steel, galvanized.

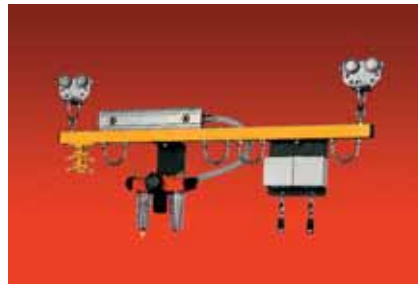
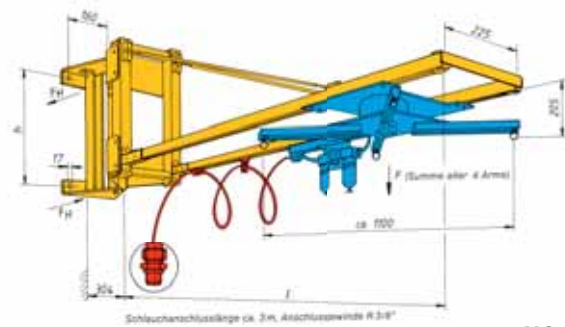
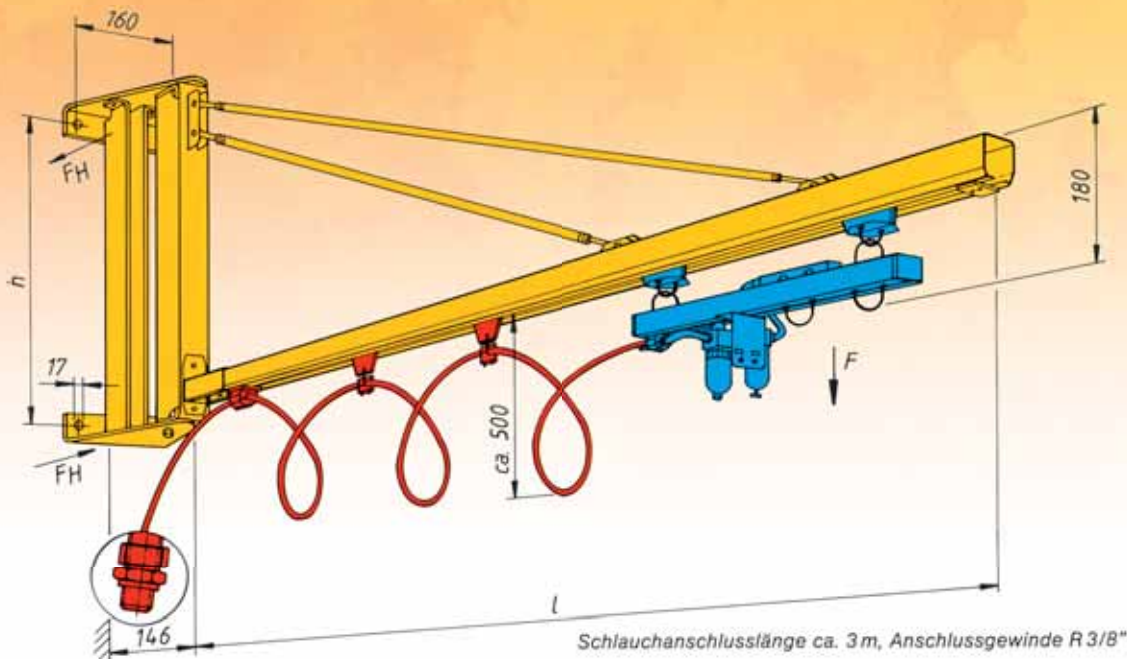


Technical data	Ident. No.	Order No.	Ident. No.	Order No.	
	L2	0028969	NO 43653-500	0028970	NO 43663-500
	L2	0028979	NO 43655-630	0028980	NO 43665-630
Dimensions (mm)	L3	360		360	
	d1	52		62	
	d2	52		68	
	h2	86		106	
	S	8		8	
	C	200		250	
Max. wheel pressure (daN) R1/R2	200/200		320/320		

Leaving technical changes!

Wall-mounted swivel arm

With equipment cart (WSG), spider assembly (ZWD).



Design

Compressed air connection:	2 x 3/8"
Electrical connection:	2x220 V~
Perm. current load:	10/16 A
Maintenance unit:	R 3/8"
Connecting thread:	R 3/8"
Compressed air hose, nominal size:	9.5 mm
Equipment cart length:	mm

NO 47232

A

x

NO 47222

B

-

NO 47205

C

x

Compressed air connection:	2 x 3/8"	x	-	x
Electrical connection:	2x220 V~	x	x	-
Perm. current load:	10/16 A	x	x	-
Maintenance unit:	R 3/8"	x	-	x
Connecting thread:	R 3/8"	x	-	x
Compressed air hose, nominal size:	9.5 mm	x	-	x
Equipment cart length:	mm	800	630	630

Order No.	Design	Track profile	Load-carrying capacity F daN	Arm length L mm	L	h
					mm	mm
NO 47413 - <input type="checkbox"/> <input type="checkbox"/>	WSG	24100	20	2, 3, 4, 5, 6 (Standard lengths)	2	340
NO 47417 - <input type="checkbox"/> <input type="checkbox"/>	WSG	24100	50	ditto	3	465
					4	590
					5	720
					6	840
NO 47457 - <input type="checkbox"/> <input type="checkbox"/>	ZWD	24100	50	3, 4, 5, 6 (Standard lengths)	3	465
					4	590
					5	720
					6	840

Order number: NO 47... -
Order example: NO 47413 - 3 A

Load-carrying capacity F (20, 50 daN) (design type)
Arm length l (m)
Equipment cart configuration (A,B,C)

Swivel arm, carrying capacity 20 – 50 – daN

Swivel range 180° to 270°.

With wall bracket for wall mounting - without wall bracket for column-mounted configuration.

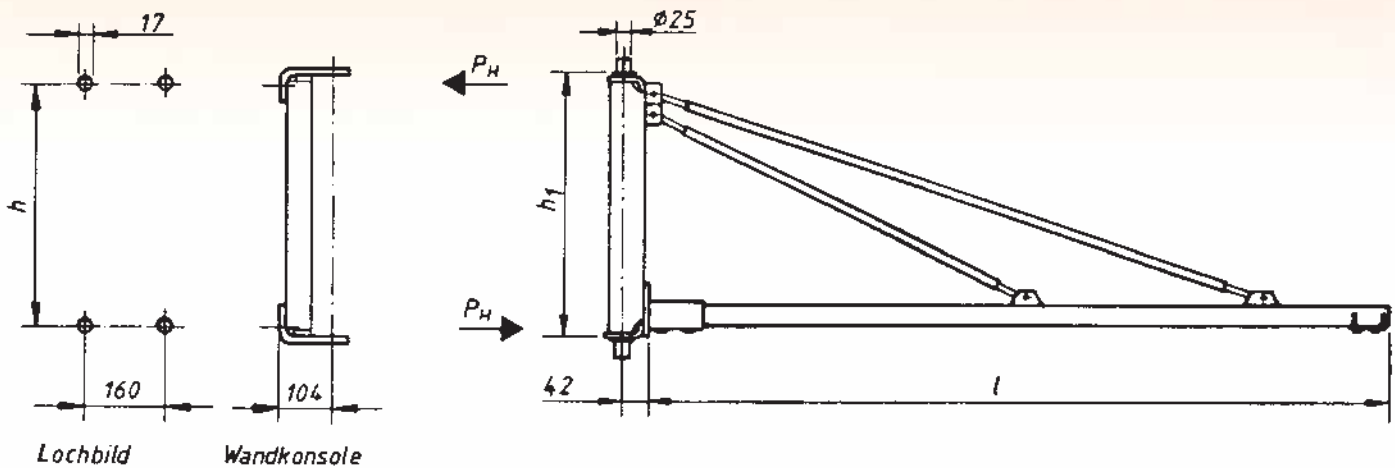
For self-assembly in individual applications.

Intermediate arm lengths are available on request.

40

Track profile C-rail NO 24100

Design: Arm galvanized – bracket and beam coated, RAL 7016 anthracite.



Higher loads can be found starting on page H 57.

	With wall bracket		For column without wall bracket		Load-carrying capacity daN	Arm profile	Dimensions			PH max. daN	Weight with bracket kg	Wall bracket weight alone kg
	Ident. No.	Order No.	Ident. No.	Order No.			l mm	h mm	hl mm			
Swivel arms	0020878	NO 42211-2	0020904	NO 42213-2	20	□	2000	340	375	150	16	9.1
	0020879	NO 42211-3	0020905	NO 42213-3	20		3000	465	500	180	23	11
	0020880	NO 42211-4	0020906	NO 42213-4	20		4000	590	625	200	28	12.8
	0020881	NO 42211-5	0020907	NO 42213-5	20		5000	720	755	225	36	14.4
	0020882	NO 42211-6	0020908	NO 42213-6	20		6000	840	875	235	40	16
Swivel arms	0020844	NO 42201-2	0020954	NO 42203-2	50	□	2000	340	375	330	16	9.1
	0020845	NO 42201-3	0020955	NO 42203-3	50		3000	465	500	380	23	11
	0020846	NO 42201-4	0020956	NO 42203-4	50		4000	590	625	455	41	12.8
	0020847	NO 42201-5	0020957	NO 42203-5	50		5000	720	755	490	51	14.4
	0020848	NO 42201-6	0020958	NO 42203-6	50		6000	840	875	530	61	16

Every order number also includes an axle support and an end stop.

Swivel arm, carrying capacity 20 – 50 – daN

Swivel range 180° to 270°.

With wall bracket for wall mounting - without wall bracket for column-mounted configuration.

Completely equipped with: 1 tool trolley with Carabiner snap hooks, cable trolley and end clamp, for seating any hose packages up to a diameter of 80 mm (also available up to Ø 160 mm), e.g., gas, water, or air hoses.

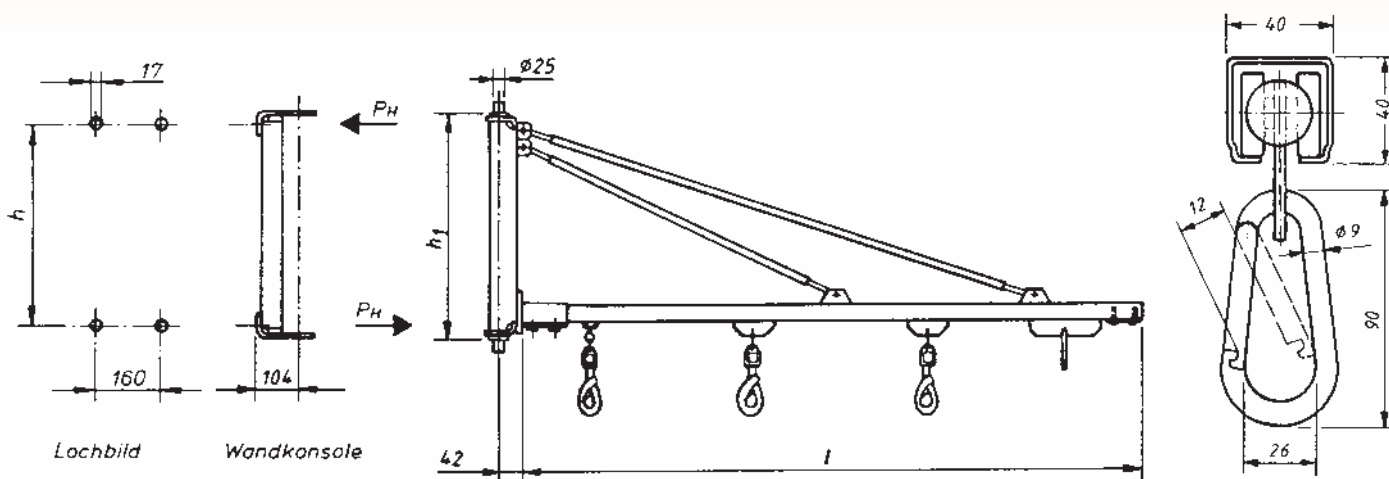
40

Track profile C-rail NO 24100

Design: Arm galvanized – bracket and beam coated, RAL 7016 anthracite.

No intermediate arm lengths are available.

0020733	NO24344-125x080	Cable trolleys
0026768	NO24348-320	Tool trolley
0020399	NO20220-80	End clamp with belt strap



	With wall bracket		For column without wall bracket		Load-carrying capacity daN	Arm profile	Dimensions			PH max. daN	No. of cable trolleys	Weight with bracket kg
	Ident. No.	Order No.	Ident. No.	Order No.			l mm	h mm	hl mm			
Swivel arms	0020883	NO 42212-2	0020909	NO 42214-2	20	□	2000	340	375	155	1	17
	0020884	NO 42212-3	0020910	NO 42214-3	20		3000	465	500	190	2	25
	0020885	NO 42212-4	0020911	NO 42214-4	20		4000	590	625	205	3	30
	0020902	NO 42212-5	0020912	NO 42214-5	20		5000	720	755	235	4	40
	0020903	NO 42212-6	0020913	NO 42214-6	20		6000	840	875	250	5	45
Swivel arms	0020849	NO 42202-2	0020859	NO 42204-2	50	□	2000	340	375	335	1	17
	0020850	NO 42202-3	0020860	NO 42204-3	50		3000	465	500	385	2	25
	0020851	NO 42202-4	0020874	NO 42204-4	50		4000	590	625	465	3	45
	0020852	NO 42202-5	0020875	NO 42204-5	50		5000	720	755	505	4	55
	0020853	NO 42202-6	0020876	NO 42204-6	50		6000	840	875	545	5	65

Every order number also includes an axle support and an end stop.

Columns for swivel arms

Load-carrying capacity

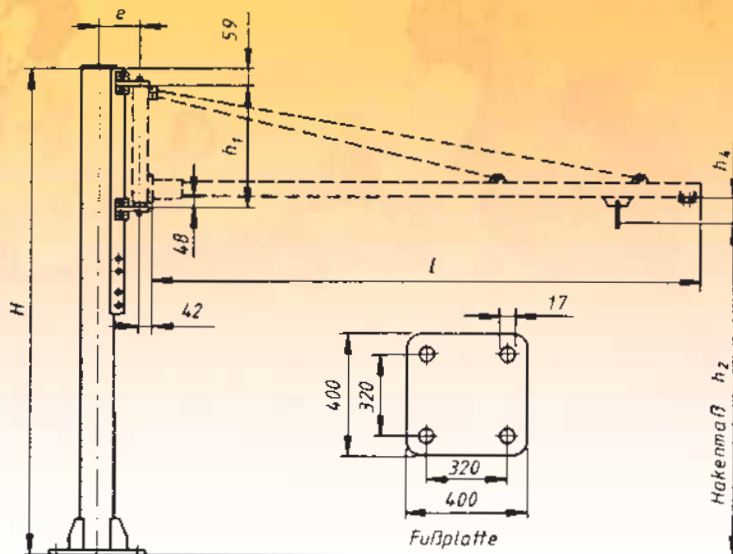
20 – 50 daN

Swiveling range 270°.

Construction: primed.

- RAL 8902 red-brown.

- Alternative: RAL 1602 gray-green or RAL 7032 pebble gray.



Higher loads can be found starting on page H 57.

Ident. No.	Order No.	Tube-Ø (St 37-2) mm	H mm	Load-carrying capacity of the swivel arm daN	Suitable swivel arm types	Dimensions			Weight kg
						e mm	h4 mm	h5 mm	
0020935	NO 42906-3	133.4 x 4	3000	20	NO 42213-...	162	95	-	58
0020936	NO 42906-4	133.4 x 4	4000	20	NO 42214-...	162	95	-	69
0020937	NO 42907-3	193.7 x 5.6	3000	50	NO 42203-...	195	95	136	109
0020938	NO 42907-4	193.7 x 5.6	4000	50	NO 42204-...	195	95	136	109

Dimensions depend on swivel arm type.

Column height H mm	Projection l mm	Hook dimension at		Installation dimension at mm	Max. tensile force Z per screw for arm loads	
		20/50 daN h2 mm	20/50 daN h1 mm		20 daN daN	50 daN daN
3000	2000	2520	375	600	85	210
3000	3000	2395	500	700	145	330
3000	4000	2270	625	800	205	470
3000	5000	2140	755	900	265	625
3000	6000	2020	875	1000	340	780
4000	2000	3520	375	600	85	210
4000	3000	3395	500	700	145	330
4000	4000	3270	625	800	205	470
4000	5000	3140	755	900	265	625
4000	6000	3020	875	1000	340	780

Tie rod set: Anchor screw length 320 mm, M16
(4 tie rods with nuts and lock washers).

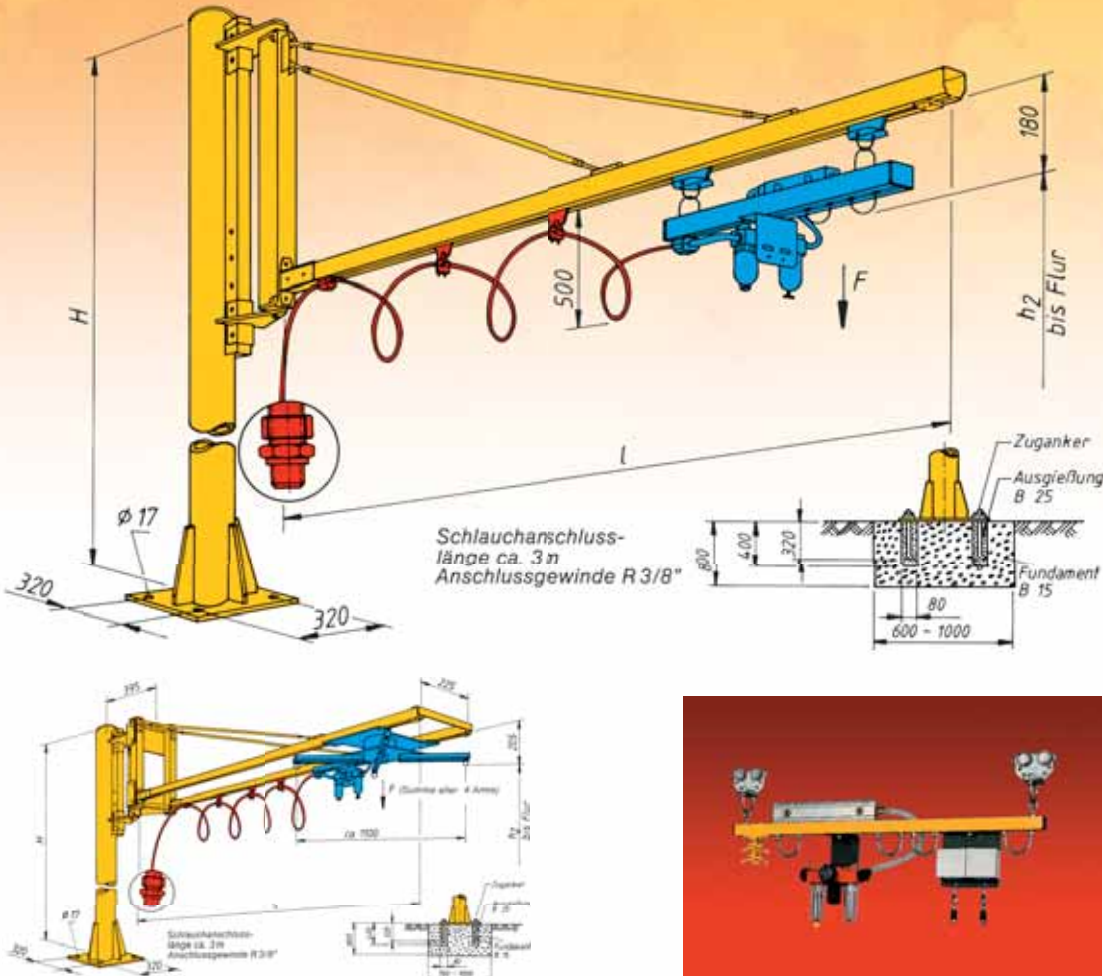
Order number: NO 40121-320x16

A foundation template is also available for casting the tie rods.

Order number: Foundation template NO 42909

Column-mounted swivel arm

With equipment cart (SSG), spider assembly (ZSD).



Design

Compressed air connection:	2 x 3/8"	A	B	C
Electrical connection:	2x220 V~	x	x	-
Perm. current load:	10/16 A	x	x	-
Maintenance unit:	R 3/8"	x	-	x
Connecting thread:	R 3/8"	x	-	x
Compressed air hose, nominal size:	9.5 mm	x	-	x
Equipment cart length:	mm	800	630	630

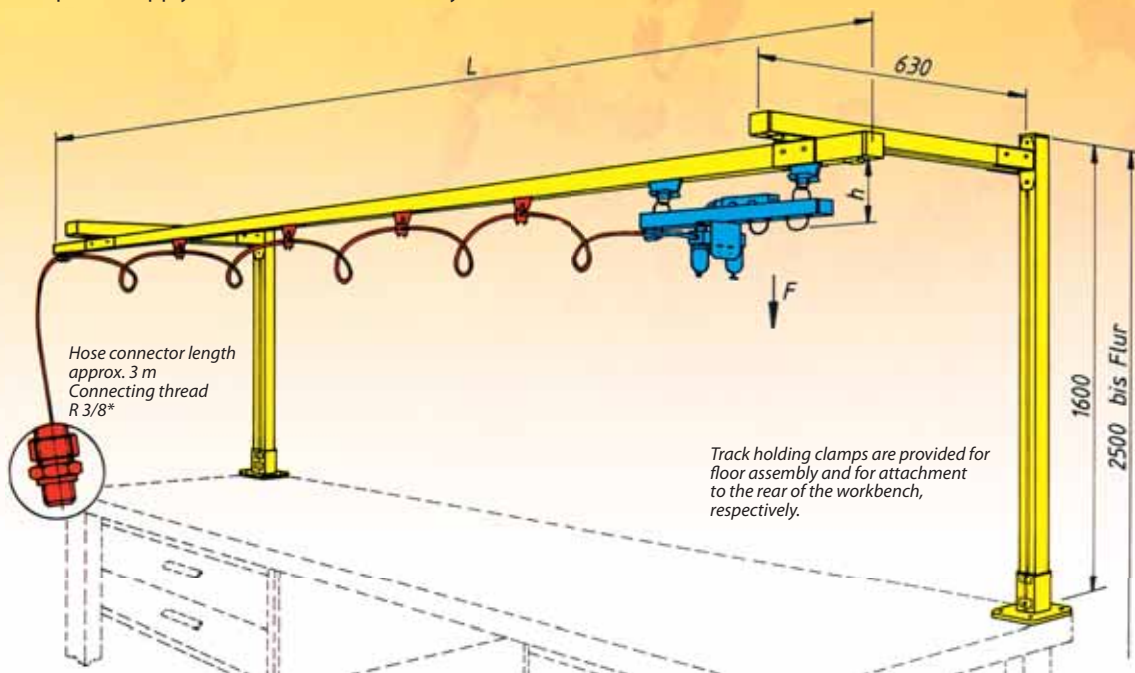
Order No.	Design	Track profile	Load-carrying capacity F	Arm length L	Column height h	Hook dimension h 2 mm column		
						l	3 m	4 m
NO 47414 - □ □	SSG	24100	20	2, 3, 4, 5, 6 (Standard lengths)	3, 4 (Standard lengths)	2	2435	3453
NO 47418 - □ □	SSG	24100	50	ditto	ditto	3	2310	3310
						4	2185	3185
						5	2055	3055
						6	1935	2935
NO 47458 - □ □	ZSD	24100	50 (20 max. per arm)	3, 4, 5, 6 (Standard lengths)	ditto	3	2280	3280
						4	2155	3155
						5	2025	3025
						6	1905	2905

Order number: NO 47... - □ □
Order example: NO 47414 - 4 x 3 A

Legend:
 □ Load-carrying capacity (design type)
 □ Arm length l (m)
 □ Column height (m)
 □ Equipment cart configuration (A,B,C)

Workbench apparatus with equipment cart

and power supply, for table or floor assembly **Abbreviation: WAG**



Equipment cart



Equipment cart configuration

Design A

Compressed air connection: 2 x 3/8"
Electrical connection: 2x220 V~
Perm. current load: 10/16 A
Maintenance unit: R 3/8"
Connecting thread: R 3/8"
Compressed air hose, nominal size: 9.5 mm
Equipment cart length: 800 mm

NO47232
NO47282

Design B

Electrical connection: 2x220 V~
Perm. current load: 10/16 A
Equipment cart length: 630 mm

NO47222
NO47272

Design C

Compressed air connection: 2 x 3/8"
Maintenance unit: R 3/8"
Connecting thread: R 3/8"
Compressed air hose, nominal size: 9.5 mm
Equipment cart length: 630 mm

NO47205
NO47255

Rail 30
Rail 40

Reductions R 3/8"a x R 1/4"i for compressed air included with the cart.

Order No.	Track profile	Load-carrying capacity at support distance F	Rail track length L	Equipment crane length L	Installation height		
					h	Tisch Floor	
Table assembly NO 47319 - □□, □□	30	23200	01,5	2	155	1600	-
Floor assembly NO 47310 - □□, □□						-	2500
Table assembly NO 47419 - □□, □□	40	24100	04,0	3	175	1600	-
Floor assembly NO 47410 - □□, □□						-	2500

Order No.: WAG NO 47... - □□, □□

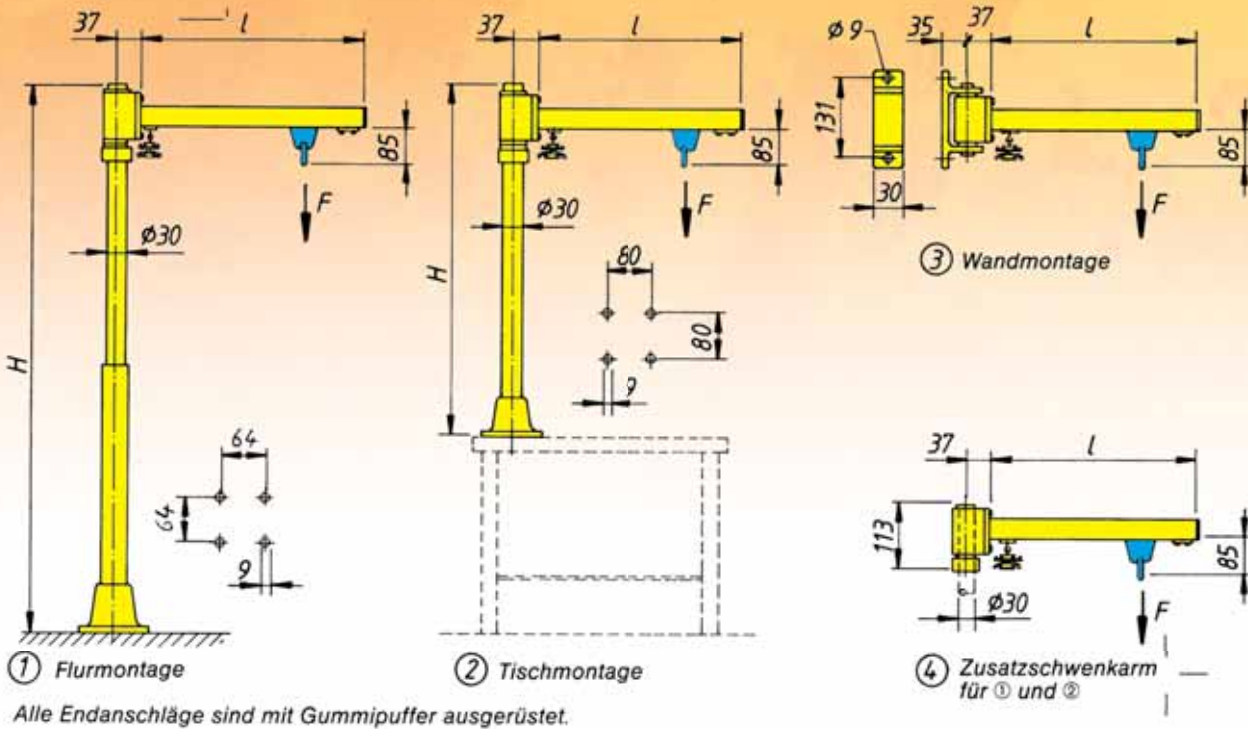
Table/floor assembly, track profile, load-carrying capacity
Rail track length L (m)
Equipment cart configuration (A, B, C)

Order No. example: WSG NO 47419 - 02,5 B

Leaving technical changes!

Swivel arms with tool carrier carts

For wall, table and floor assembly.

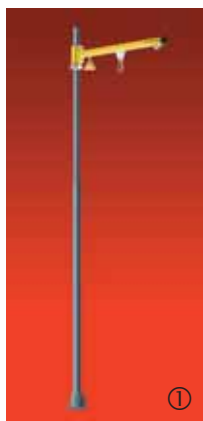


Alle Endanschläge sind mit Gummipuffer ausgerüstet.

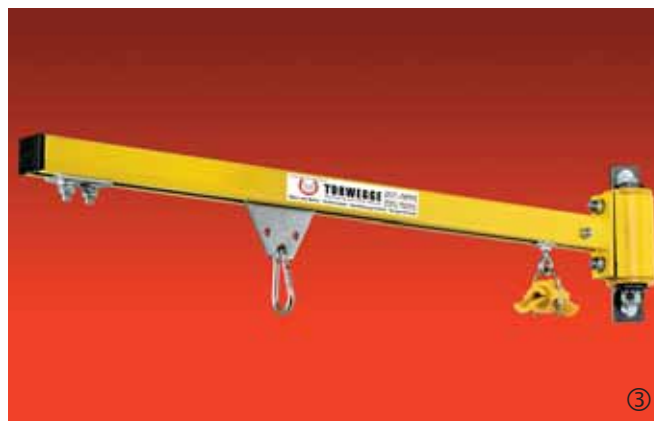
Ident. No.	Order No.	Fig.	Track profile	Load-carrying capacity F daN	Dimensions		Weight kg
					H mm	l mm	
					Floor assembly		
0020980	NO 44613-0630	①	30	16	1600 – 2500	630	11.2
0020981	NO 44613-1000			10	adjustable	1000	11.7
					Table assembly		
0020978	NO 44612-0630	②	30	16	1600	630	7.2
0020979	NO 44612-1000			10		1000	7.7
					Wall assembly		
0020982	NO 44622-0630	③	23200	20	-	630	3.5
0020983	NO 44622-1000			16		1000	4
					Additional swivel arm		
0020976	NO 44602-0630	④		16	-	630	3
0020977	NO 44602-1000			10		1000	3.5



Additional swivel arm



①



Swivel arm with wall bracket

③

Suspension tracks



Overhead conveyor system with Müsing spider assembly.



Our manual suspension tracks are also suitable for small and medium-sized trade companies. They are particularly distinguished by:

- Targeted material flow.
- Shorter transport and handling time.
- Larger ground clearance.
- Modular system: You can "start small" and expand the system at any time.
- Low investment costs.

- **Circular conveyor "Power & Free".**
- **Overhead twin-rail chain conveyors can also be provided.**

Give us a call!



JAB Anstötz marshaling area.

We put things in motion

Product similar to illustrations!

Suspension track - support spacing

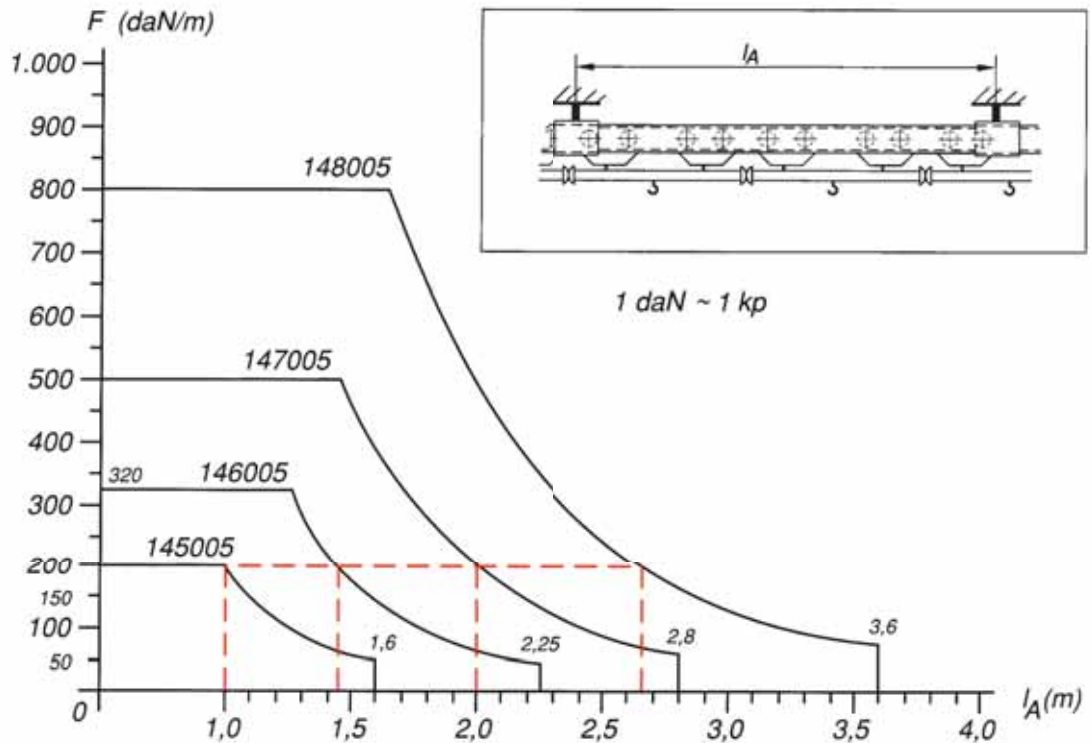
Determining tolerable support spacing (simplified calculation method).

Basis for calculations:

1. Carrier on 2 supports, with distributed loading that is symmetric with respect to the center of the carrier.
2. The permissible deflection from the distributed load and dead weight of the rail = $l_A \cdot 1/500$.
3. $\delta_{ball} = 100 \text{ N/mm}^2$, without consideration of the flange stress.

A wide variety of loading cases occur within an overhead conveyor system. Individual loads are transported. These are held up in buffer sections to form line loads. "Empty suspension gear" is transported between unloading and loading stations. Therefore, quite different support spacing can be selected within a system. This means that the permissible support spacing should be calculated for each individual case based on the static values of the rails. **It is advisable to provide us with the design order to achieve an optimum layout.**

Distributed load diagram



Example:

Weight of the transported goods = 50 daN
 Weight of the transport suspension unit = approx. 10 daN (including suspension gear)
 Total load = 60 daN

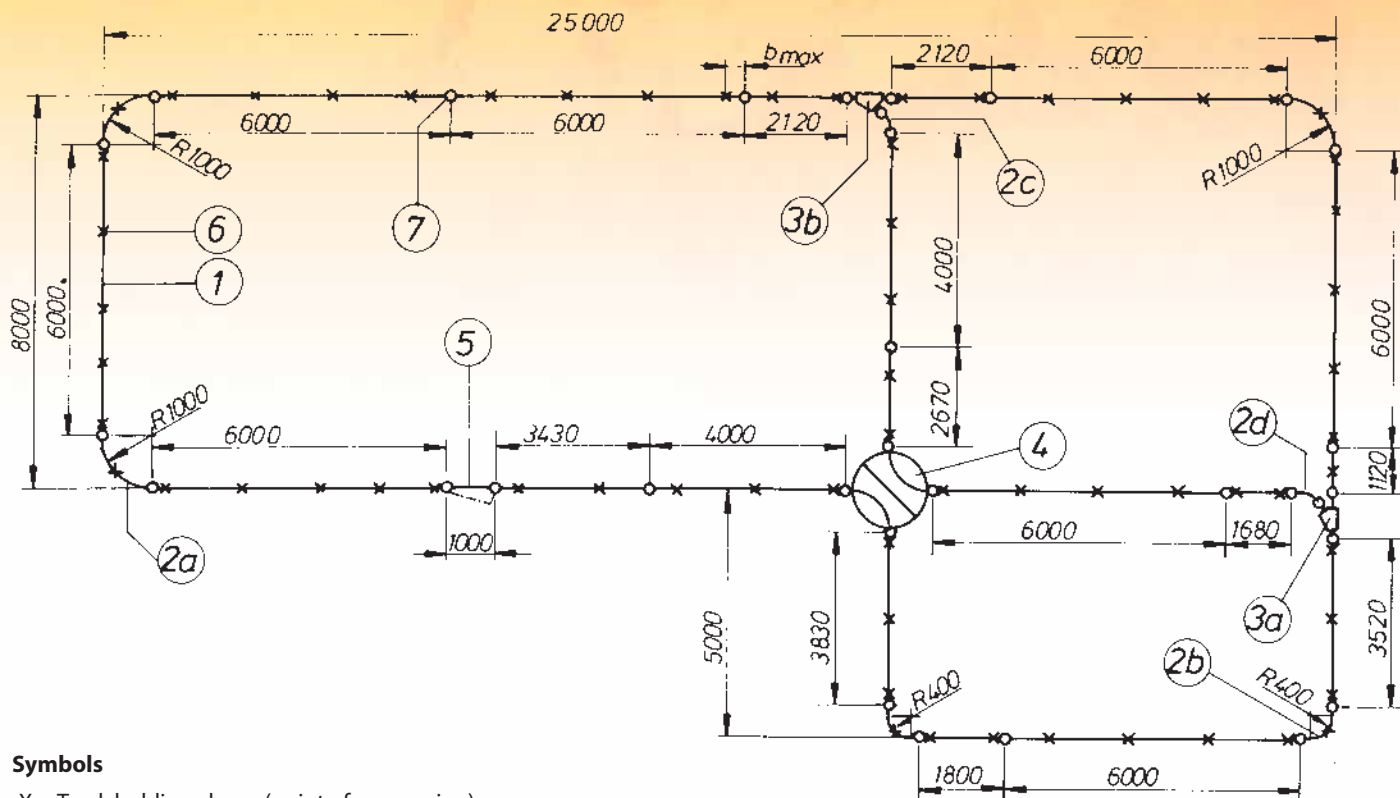
Transport units with cross bar $l = 300 \text{ mm}$ are to be used.

$$\text{The distributed load } F = \frac{\text{Total load (daN)}}{l \text{ (m)}} = \frac{60 \text{ (daN)}}{0,3 \text{ (m)}} = 200 \text{ daN/m.}$$

According to the diagram the support spacings are l_A : 1.0 m for C-rail 145005 or 1.45 m for C-rail 146005 or 2.0 m for C-rail 147005 and 2.66 m for C-rail 148005.

Suspension track - design example

Track layout



Symbols

- X Track holding clamp (point of suspension).
- Track connector (no point of suspension).

b_{max} = 200 with full utilization of the ultimate load.

Design example:

Given – Distributed load 50 daN/m according to the diagram on page H38 results in: Required support spacing l_A = 1.6 m; selected rail profile 145005.

Parts list

Position	qty/m	Description	Ident. No.	Order No.	Remark
1a	8	C-rail (6 m length)	0020613	NO 145005-6	We recommend ordering 6-m and 4-m sections and cutting the lengths during assembly.
1b	2	C-rail (4 m length)	0020611	NO 145005-4	
1c	24	C-rail (1 x 3.83 m, 1 x 3.43 m, 1 x 3.52 m, 1 x 2.67 m, 2 x 2.12 m, 1 x 1.8 m, 1 x 1.68 m, 1 x 1.12 m)	0019860	NO 145005	
2a	3	90° elbow (R = 1000 mm)	0019912	NO 145405-1000	
2b	2	90° elbow (R = 400 mm)	0019916	NO 145405-0400	
2c	1	45° elbow (R = 400 mm)	0019916	NO 145405-0400	Divide a 90° elbow at the installation site.
2d	1	45° elbow (R = 400 mm)	0019916	NO 145405-0400	
3a	1	Point switches	0019893	NO 145311-L 45°	
3b	1	Fall switch	0019901	NO 145315-R03 45°	With operating unit.
4	1	Turntable	0019909	NO 145362-01	
5	1	Pivoting piece (insert station)			L = 1000mm
6	64	Track holding clamp	0019917	NO 145511	Selection
7	30	Track connector	0019920	NO 145605	see page H 41 – H 44.

C-rails/Elbows/Connectors

C-rail

Materials:
Steel, galvanized

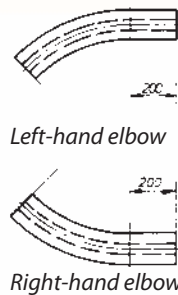


Technical data	Order No.				
	NO 145005	NO 146005	NO 147005	NO 148005	
Dimensions (mm)	a	40	50	63	80
	h	40	50	63	80
	s	2.5	3.2	4	5
Static values	Jx (cm ⁴)	7	17.8	44.2	117.6
	Wx (cm ³)	3.16	6.4	12.9	27.4
	Wgt. (kg/m)	2.55	4.1	6.53	10.52
Load-carrying capacity	(daN/m)	200	320	500	800

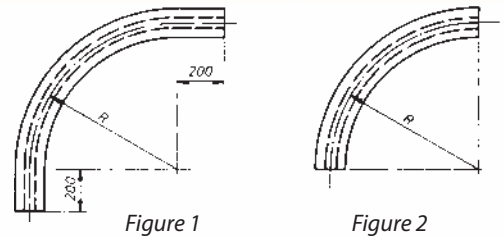
90° elbow

Materials: Steel, galvanized

Top view

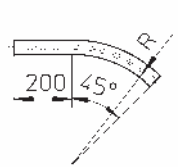


When ordering elbow segments, please include a sketch indicating whether you want a left-hand or a right-hand version. We recommend separating the segments from a 90° elbow on-site.

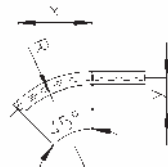


Other radii are available on request.

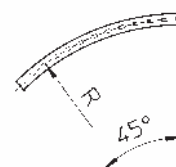
Elbow 45°



Left-hand design
(straight piece on the left)



Right-hand design
(straight piece on the right)



Elbow without straight piece
Fig. 2 (R = 1000 mm and higher)

Project dimensions
 $x = R \cdot 0,707$
 $y = R \cdot 0,293$

90° elbow, galvanized

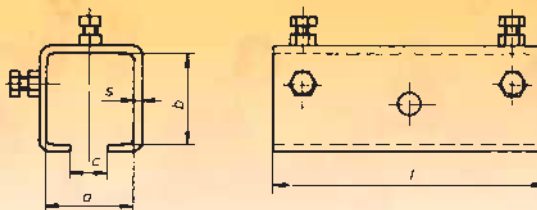
Figure-No.	Radius (mm)	Order No.			
1	400	NO 145405-0400	NO 146405-0400	-	-
	600	NO 145405-0600	NO 146405-0600	NO 147405-0600	-
	800	NO 145405-0800	NO 146405-0800	-	-
	1000	NO 145405-1000	NO 146405-1000	NO 147405-1000	NO 148405-1000
2	1200	NO 145405-1200	NO 146405-1200	NO 147405-1200	NO 148405-1200
	1400	NO 145405-1400	NO 146405-1400	NO 147405-1400	NO 148405-1400
	1600	NO 145405-1600	NO 146405-1600	NO 147405-1600	NO 148405-1600
	2000	NO 145405-2000	NO 146405-2000	NO 147405-2000	NO 148405-2000

Elbow 45° galvanized

1	Right	400	NO 145415-0400R	NO 146415-0400R	NO 147415-0400R	NO 148415-0400R
		600	NO 145415-0600R	NO 146415-0600R	NO 147415-0600R	NO 148415-0600R
		800	NO 145415-0800R	NO 146415-0800R	NO 147415-0800R	NO 148415-0800R
	Left	400	NO 145415-0400L	NO 146415-0400L	NO 147415-0400L	NO 148415-0400L
		600	NO 145415-0600L	NO 146415-0600L	NO 147415-0600L	NO 148415-0600L
		800	NO 145415-0800L	NO 146415-0800L	NO 147415-0800L	NO 148415-0800L
2	1000	NO 145415-1000	NO 146415-1000	NO 147415-1000	NO 148415-1000	
	1200	NO 145415-1200	NO 146415-1200	NO 147415-1200	NO 148415-1200	
	1400	NO 145415-1400	NO 146415-1400	NO 147415-1400	NO 148415-1400	
	1600	NO 145415-1600	NO 146415-1600	NO 147415-1600	NO 148415-1600	
	2000	NO 145415-2000	NO 146415-2000	NO 147415-2000	NO 148415-2000	

Track holding clamp/connector

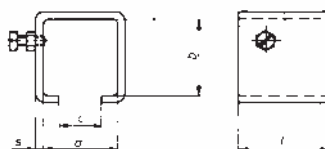
C-rail	NO 145005	NO 146005	NO 147005	NO 148005
--------	-----------	-----------	-----------	-----------



Technical data		Ident. No.	Order No.	Ident. No.	Order No.	Ident. No.	Order No.	Ident. No.	Order No.
Design	Galvanized	0019920	NO 145605	0019976	NO 146605	0020175	NO 147605	0020078	NO 148605
	Bare	0020643	NO 24140	0020776	NO 25140	0020794	NO 25640	0020812	NO 26140
Dimensions (mm)	a	41.3		51.7		65.5		83	
	b	41		51.2		64.2		83	
	c	18.4		24.6		26		34	
	l	125		160		200		250	
	s	4		4		5		6	
Weight (kg)		0.6		1		1.9		3.6	

Track holding clamp for welding

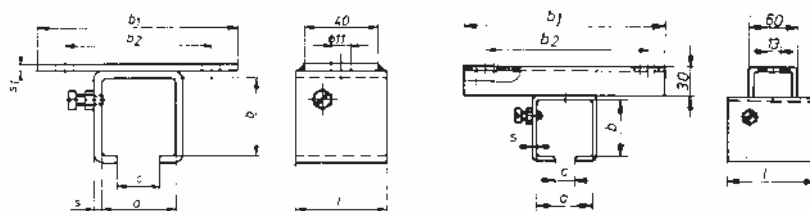
Materials:
Steel, bare.



Technical data		Ident. No.	Order No.	Ident. No.	Order No.	Ident. No.	Order No.	Ident. No.	Order No.
		0020632	NO 24120	0020771	NO 25120	0020790	NO 25620	0020808	NO 26120
Dimensions (mm)	a	40.5		51.7		64.7		81.7	
	b	40.5		51.7		64.7		81.7	
	c	17		25		25		31	
	l	50		80		100		120	
	s	4		4		5		6	
Load-carrying capacity (daN)		200		250		320		400	
Weight (kg)		0.22		0.5		0.94		1.75	

Track holding clamp

Materials:
Steel, galvanized



Version for NO 145511 and NO 146511

Version for NO 147511 and NO 148511

Technical data		Ident. No.	Order No.	Ident. No.	Order No.	Ident. No.	Order No.	Ident. No.	Order No.
		0019917	NO 145511	0019974	NO 146511	0020173	NO 147511	0020076	NO 148511
Dimensions (mm)	a	40.5		51.7		64.7		81.7	
	b	40.5		51.7		64.7		81.7	
	b ₁	110		130		175		175	
	b ₂	80		100		130 +/- 20		130 +/- 20	
	c	17		25		25		31	
	l	50		80		100		120	
	s	4		4		5		6	
	s ₁	6		8		-		-	
Load-carrying capacity (daN)		250		400		630		1000	
Weight (kg)		0.36		0.8		0.65		2.4	

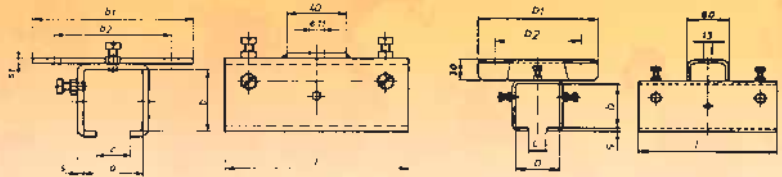
Leaving technical changes!

Track holding clamp/connector

C-rail	NO 145005	NO 146005	NO 147005	NO 148005
--------	-----------	-----------	-----------	-----------

Track connector

Materials: Steel.
Design: Galvanized.



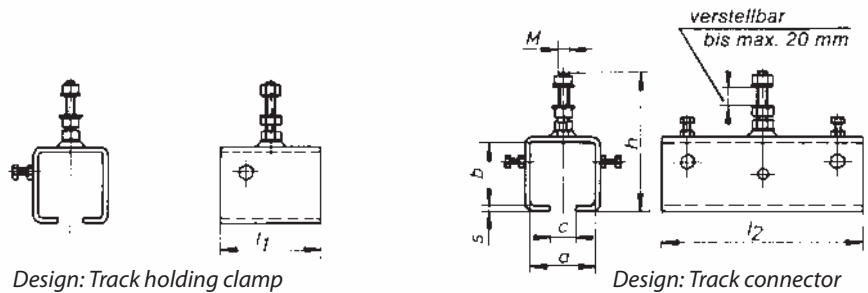
Version for NO 145611 and NO 146611

Version for NO 147611 and NO 148611

Technical data		Ident. No.	Order No.	Ident. No.	Order No.	Ident. No.	Order No.	Ident. No.	Order No.
		0019921	NO 145611	0019977	NO 146611	0020176	NO 147611	0020079	NO 148611
Dimensions (mm)	a	40.5		51.7		64.7		81.7	
	b	40.5		51.7		64.7		81.7	
	b ₁	110		130		175		175	
	b ₂	80		100		130 +/- 20		130 +/- 20	
	c	17		25		25		31	
	l	125		160		200		250	
	s	4		4		5		6	
	s ₁	6		8		-		-	
Load-carrying capacity (daN)		250		400		630		1000	
Weight (kg)		0.66		1.3		2.65		4.15	

Track holding clamp and track connector

Materials: Steel, galvanized

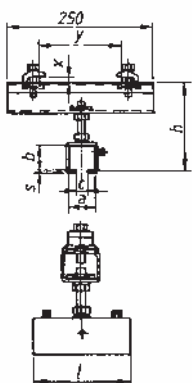


Design: Track holding clamp

Design: Track connector

Technical data		Ident. No.	Order No.	Ident. No.	Order No.	Ident. No.	Order No.	Ident. No.	Order No.
Design	Track holding clamp	0019918	NO 145525	0019975	NO 146525	0020174	NO 147525	0020077	NO 148525
	Track connector	0019922	NO 145625	0019978	NO 146625	0020177	NO 147625	0020080	NO 148625
Dimensions (mm)	a	40.5		51.7		64.7		81.7	
	b	40.5		51.7		64.7		81.7	
	c	17		25		25		31	
	h	110		125		140		170	
	l ₁	50		80		100		120	
	l ₂	125		160		200		250	
	M	M8/M12		M12		M12		M16	
	s	4		4		5		6	
Load-carrying capacity (daN)		200		320		400		500	
Weight (kg)	Track holding clamp	0.32		0.52		0.97		1.8	
	Track connector	0.61		1.02		1.93		3.7	

Track holding clamp and track connector



Design		Ident. No.	Order No.	Ident. No.	Order No.	Ident. No.	Order No.	Ident. No.	Order No.
Design	Track holding clamp	0027560	NO 145541	0027561	NO 146541	0027562	NO 147541	0027563	NO 148541
	Track connector	0027564	NO 145641	0027565	NO 146641	0027566	NO 147641	0027567	NO 148641
Dimensions (mm)	a	40.5		51.7		64.7		81.7	
	b	40.5		51.7		64.7		81.7	
	c	17		25		25		31	
	h	127 - 152		138 - 163		-		-	
	l (tr. clamp)	50		80		100		120	
	l (tr. connector)	125		160		200		250	
	s	4		4		5		6	
Load-carrying capacity (daN)	x	Clamping height		6 - 11		-		-	
	y	Clamping width		42 - 130		-		-	
			200		320		-		-

Track holding clamps/connectors/stops

C-rail

NO 145005

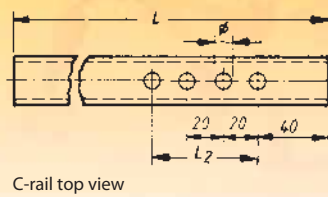
NO 146005

NO 147005

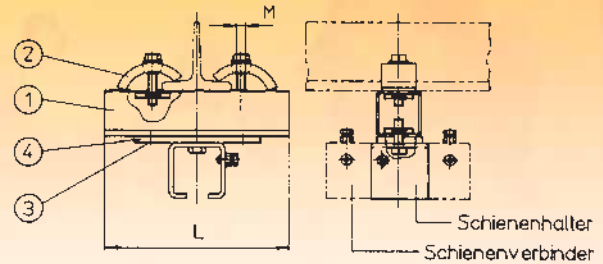
NO 148005

Track holding clamp and track connector

Materials: Steel, galvanized



C-rail top view



① Clamping arm

Materials: Steel, galvanized.

Dimensions (mm)

L	L2	Ident. No.	Order No.	Ident. No.	Order No.	Ident. No.	Order No.	Ident. No.	Order No.
250	200	0020381	NO 20186-0250	0020406	NO 20278-0250	0020402	NO 20274-0250	0020402	NO 020274-0250
315	260	0020382	NO 20186-0315	0020407	NO 20278-0315	0020403	NO 20274-0315	0020403	NO 020274-0315
400	340	0020383	NO 20186-0400	0020408	NO 20278-0400	0020404	NO 20274-0400	0020404	NO 020274-0400
500	340	0020384	NO 20186-0500	0020409	NO 20278-0500	0020405	NO 20274-0500	0020405	NO 020274-0500
Hole Ø		9		11		11		11	

④ Track holding clamp and track connector

Materials: Steel, galvanized (for dimensions and data, see page H 00.)

Design	Ident. No.	Order No.	Ident. No.	Order No.	Ident. No.	Order No.	Ident. No.	Order No.
Track holding clamp	0019917	NO 145511	0019974	NO 146511	0020173	NO 147511	0020076	NO 148511
Track connector	0019921	NO 145611	0019977	NO 146611	0020176	NO 147611	0020079	NO 148611

② Clamping jaw

Materials: Steel, galvanized.

Design	Ident. No.	Order No.	Ident. No.	Order No.	Ident. No.	Order No.	Ident. No.	Order No.
Bolt M	0020822	NO 40127-08	0020823	NO 40127-10	0020823	NO 40127-10	0020824	NO 40127-12
		M8 x 50		M10 x 50		M10 x 50		M12 x 60

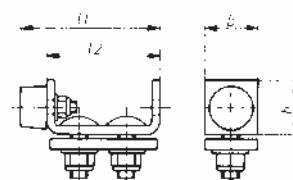
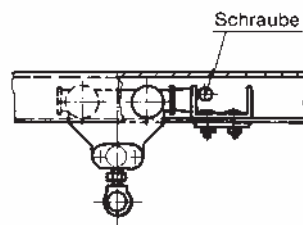
③ Bolt set

With square nut for C-rail. Materials: Steel, galvanized.

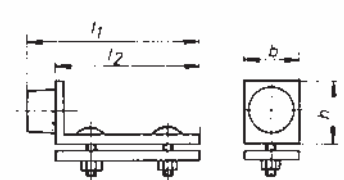
Design	Ident. No.	Order No.	Ident. No.	Order No.	Ident. No.	Order No.	Ident. No.	Order No.
Bolt M	0020819	NO 40125-08x15	0020820	NO 40125-10x12	0020820	NO 40125-10x12	0020820	NO 40125-10x12
		M8 x 25		M10 x 25		M10 x 25		M12 x 25
Max. clamp length		14.5		12		12		12

End stop

Assembly instructions: End stops must be secured at right angles to the rails via locking screws.



Version for NO 24111 and NO 25115



Version for NO 25617 and NO 26117

Technical data	Ident. No.	Order No.	Ident. No.	Order No.	Ident. No.	Order No.	Ident. No.	Order No.
	0020630	NO 24111	0020770	NO 25115	0020789	NO 25617	0020807	NO 26117
Dimensions (mm)	b	30		30		45		60
	h	30		30		50		60
	l1	69		69		100		120
	l2	53		53		80		100
Weight (kg)		0.19		0.19		0.8		0.95
Locking screw	0028346	NO 40150-08x50	0028347	NO 40150-10x65	0020825	NO 40150-12x75	0028348	NO 40150-12x100
Dimensions		M8 x 50		M10 x 65		M12 x 75		M12 x 100
Weight (kg)		0.19		0.19		0.8		0.95

Switches

C-rail

NO 145005

NO 146005

NO 147005

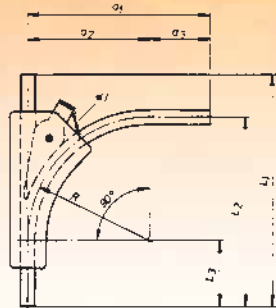
NO 148005

Switches

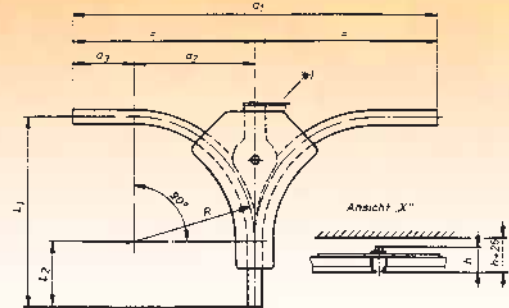
TORWEGGE standard turnouts can be used as both **point switches** and **fall switches**.
When used as a fall switch, only one operating unit with a chain is provided.
Design: Surface galvanized.

Point switches

Switched from the chassis; automatically reset to home position via spring; passage only in one direction.



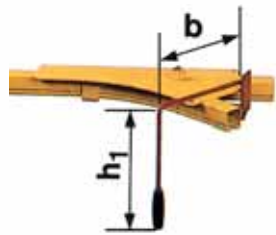
Point switches 90°, Right-hand design.



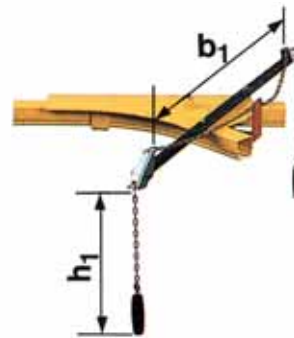
Point switches 90°, Right-/left-hand design.

Fall switches

Can be set manually via the chain or linkage and remains in the adjusted position; Passage possible in all directions



Fall switch with shift linkage 45° + 90°
Design: -02, available on request.



Fall switch 45° + 90° with operating unit (chain hoist).
Design: -03

Design		Ident. No.	Order No.	Ident. No.	Order No.	Ident. No.	Order No.	Ident. No.	Order No.
Point switches 45°	Right	0019894	NO 145311-R45°	0019950	NO 146311-R45°	0020041	NO 147311-R45°	0020204	NO 148311-R45°
	Left	0019893	NO 145311-L45°	0019949	NO 146311-L45°	0020040	NO 147311-L45°	0020203	NO 148311-L45°
	Right-hand/left-hand	0019895	NO 145311-RL45°	0019951	NO 146311-RL45°	0020042	NO 147311-RL45°	0020205	NO 148311-RL45°
Point switches 90°	Right	0019897	NO 145313-R90°	0019953	NO 146313-R90°	0020044	NO 147313-R90°	0020207	NO 148313-R90°
	Left	0019896	NO 145313-L90°	0019952	NO 146313-L90°	0020043	NO 147313-L90°	0020206	NO 148313-L90°
	Right-hand/left-hand	0028699	NO 145313-RL90°	0019954	NO 146313-RL90°	0020045	NO 147313-RL90°	0020208	NO 148313-RL90°
with chain									
Fall switch 45°	Right	0019901	NO 145315-R03 45°	0019958	NO 146315-R03 45°	0020058	NO 147315-R03 45°	0020212	NO 148315-R03 45°
	Left	0019899	NO 145315-L03 45°	0019956	NO 146315-L03 45°	0020047	NO 147315-L03 45°	0020210	NO 148315-L03 45°
	Right-hand/left-hand	0019903	NO 145315-RL03 45°	0019960	NO 146315-RL03 45°	0020060	NO 147315-RL03 45°	0020214	NO 148315-RL03 45°
Fall switch 90°	Right	0019905	NO 145317-R03 90°	0019962	NO 146317-R03 90°	0020062	NO 147317-R03 90°	0020216	NO 148317-R03 90°
	Left	0019904	NO 145317-L03 90°	0019961	NO 146317-L03 90°	0020061	NO 147317-L03 90°	0020215	NO 148317-L03 90°
	Right-hand/left-hand	0019907	NO 145317-RL03 90°	0019963	NO 146317-RL03 90°	0020063	NO 147317-RL03 90°	0020217	NO 148317-RL03 90°

Ordering example: A left-hand fall switch construction is required with chain hoist operation.
Order No.: Fall switch NO 145315-L03.

Dimensions		mm	mm	mm	mm
Project dimensions	a1	1200	1200	1600	1600
	a2	400	400	600	600
	a3	200	200	200	200
	h	70	81	100	116
	L1	615	650	905	955
	L2	215	250	305	355
	R	400	400	600	600

Pneumatic actuation on request.

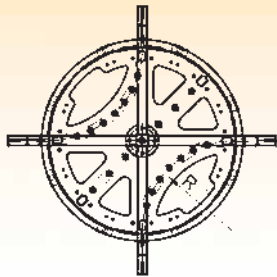
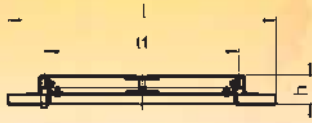
Product similar to illustrations!

www.torwegge-group.com

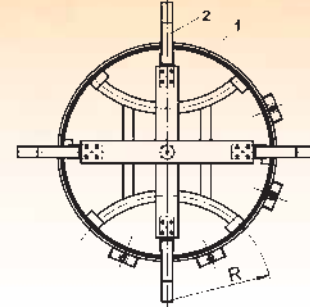
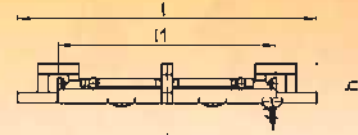
Switches

C-rail	NO 145005	NO 146005	NO 147005	NO 148005
--------	-----------	-----------	-----------	-----------

Turntables





Version for 40 x 40 and 50 x 50.
Materials: Steel, galvanized.



Version for 63 x 63 and 80 x 80.
Materials: Painted steel, standard silver.

The turnouts are connected to the C-rails via four track connectors. The track connectors necessary for this are to be ordered separately.

Design	Ident. No.	Order No.	Ident. No.	Order No.	Ident. No.	Order No.	Ident. No.	Order No.
 With eyelet	0019908	NO 145361-01	0019964	NO 146361-01	0020064	NO 147361-01	0020218	NO 148361-01
 With eyelet	0019909	NO 145362-01	0019965	NO 146362-01	0020065	NO 147362-01	0020219	NO 148362-01
Dimensions (mm)	a	1150		1200		1700		2550
	D	800		800		1230		2030
	h	123		133		226		243
	R	400		400		600		1000

Other switches and turntables are available, e.g., pneumatic rotating switches.
You can also request our technical consulting services.



Suspension track system on a beach chair production line.
Delivery to painting plant.
Use of rotating and fall switches.

Leaving technical changes!

Accessories/stops

A number of stops and locking devices may be necessary, depending on requirements and track layout. These are mechanically actuated and can also be operated pneumatically if required.

Simple stop ...911



Stops are used if the conveyed product is to be blocked in buffer sections, held in front of discharge sections or positioned at workstations.

Stop with individual release ...921



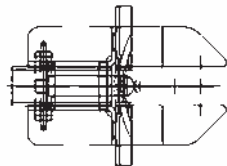
Only suitable for cross beam trolleys measuring 400 mm and 500 mm in length.

Return stop ...913



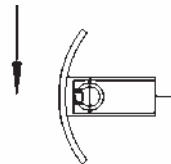
Prevents a transport suspension unit from running back.

Locking device 1

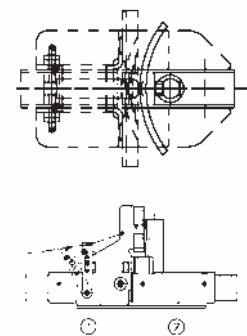


Individual orders of items ① and ② for deviating installation requirements, e.g. if several branch lines are to be connected to an equipment crane.

Stop piece 2



In locked condition



Pos.	For C-rail	Order No.
① Locking device	NO 145005	NO 145963
	NO 146005	NO 146963
	NO 147005	NO 147963
	NO 148005	NO 148963
② Stop piece	NO 145005	NO 145964
	NO 146005	NO 146964
	NO 147005	NO 147964
	NO 148005	NO 148964

Accessories/stops

Design	Ident. No.	Order No.	Ident. No.	Order No.	Ident. No.	Order No.	Ident. No.	Order No.
C-rails		NO 145005		NO 146005		NO 147005		NO 148005
Simple stop	0019924	NO 145911	0019979	NO 146911	0020178	NO 147911	0020081	NO 148911
Stop with individual release	0019925	NO 145921	0019981	NO 146921	0020180	NO 147921	0020083	NO 148921
Return stop	0019926	NO 145913	0019980	NO 146913	0020179	NO 147913	0020082	NO 148913
Locking device ①	0019927	NO 145963	0019982	NO 146963	0020181	NO 147963	0020084	NO 148963
Stop piece ②	0019928	NO 145964	0028700	NO 146964	0020182	NO 147964	0020085	NO 148964

Transport unit

C-rail

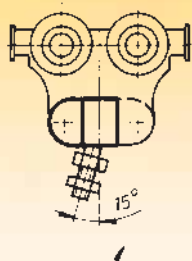
NO 145005

NO 146005

NO 147005

NO 148005

Transport unit



Versions with pivoting and oscillating ball pins are used as standard transport units (see figure).

Working temperature: -30°C to $+60^{\circ}\text{C}$.

High-temperature transport units and rollers are available for use at higher temperatures (versions up to 300°C).

For the suspension of electrical devices, e.g., spot welding guns, the trolleys can be supplied in an **insulated version** for isolation of ground currents.

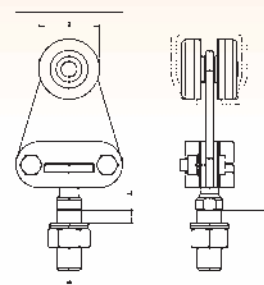
2-roller transport unit

Materials: Steel, galvanized

The transport units for C-rail 145005 are available with ball pin threads M12 or M16.

Ordering example: M12 requested

Order number: NO 145010-12B



Technical data		Ident. No.	Order No.	Ident. No.	Order No.	Ident. No.	Order No.	Ident. No.	Order No.
Design	Standard design	0019862	NO 145010-B	0019931	NO 146010-B	0020001	NO 147010-B	0020185	NO 148010-B
	Insulated design	-	-	-	-	0020012	NO 147050-B	0020195	NO 148050-B
	Versions up to 300°C	0019883	NO 145110-B	0019947	NO 146110-B	0020038	NO 147110-B	0020201	NO 148110-B
Dimensions (mm)	d		32		40		52		62
	h_1		75		70		85		80
	l		70		70		70		70
	M		M12 or M16		M16		M16		M16
	s_{max}		26		26		26		26
Load-carrying capacity (daN)			50		80		100		125
Weight (kg)			0.5		0.60		0.75		0.85

4-roller transport unit

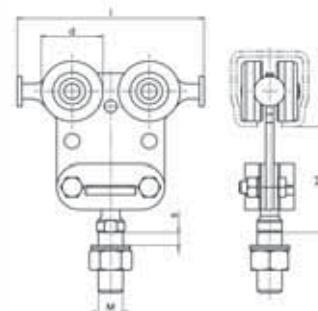
Materials: Steel, galvanized

The transport units for C-rail 145005 are available with ball pin threads M12 or M16.

Ordering example: M12 requested

Order number: NO 145020-12B

For bends of radius 400 mm and above.



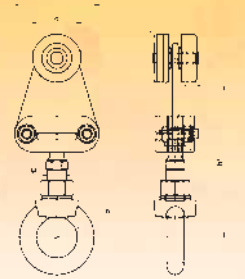
Technical data		Ident. No.	Order No.	Ident. No.	Order No.	Ident. No.	Order No.	Ident. No.	Order No.
Design	Standard design	0019871	NO 145020-B	0019936	NO 146020-B	0020005	NO 147020-B	0020189	NO 148020-B
	Insulated design	-	-	-	-	0020014	NO 147060-B	0020197	NO 148060-B
	Versions up to 300°C	0019885	NO 145120-B	0019948	NO 146120-B	0020039	NO 147120-B	0020202	NO 148120-B
Dimensions (mm)	d		32		40		52		62
	h_1		75		70		85		80
	l		120		120		160		160
	M		M12 or M16		M16		M16		M16
	s_{max}		26		26		26		26
Load-carrying capacity (daN)			100		160		200		250
Weight (kg)			0.75		0.85		1		1.2

Transport unit

C-rail	NO 145005	NO 146005	NO 147005	NO 148005
--------	-----------	-----------	-----------	-----------

Transport unit with ring nut and 2 rollers

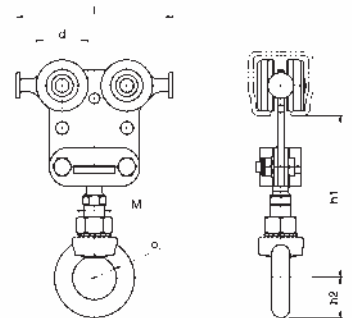
Materials: Steel, galvanized



Technical data		Ident. No.	Order No.	Ident. No.	Order No.	Ident. No.	Order No.	Ident. No.	Order No.
Design	Standard design	0019864	NO 145011-12B	0019932	NO 146011-B	0020002	NO 147011-B	0020186	NO 148011-B
	Insulated design	-	-	-	-	0020013	NO 147051-B	0020196	NO 148051-B
Dimensions (mm)	d	32		40		52		62	
	h ₁	130		125		140		135	
	l	70		70		70		70	
	M	M12		M16		M16		M16	
	∅ _o	30		35		35		35	
Load-carrying capacity (daN)		50		80		100		125	
Weight (kg)		0.6		0.7		0.85		0.95	

Transport unit with ring nut and 4 rollers

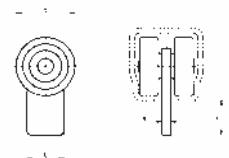
Materials: Steel, galvanized
For bends starting at 400 mm.



Technical data		Ident. No.	Order No.	Ident. No.	Order No.	Ident. No.	Order No.	Ident. No.	Order No.
Design	Standard design	0019873	NO 145021-12B	0019939	NO 146021-B	0020006	NO 147021-B	0020190	NO 148021-B
	Insulated design	-	-	-	-	0020015	NO 147061-B	0020198	NO 148061-B
Dimensions (mm)	d	32		40		52		62	
	h ₁	130		125		140		135	
	h ₂	32		32		32		32	
	l	120		100		160		160	
	M	M12		M16		M16		M16	
	∅ _o	30		35		35		35	
Load-carrying capacity (daN)		100		160		200		250	
Weight (kg)		0.85		0.95		1.1		1.3	

Transport unit to be welded with 2 rollers

Materials:
Casters: Steel, galvanized.
Plate: Steel, bare.



Technical data		Ident. No.	Order No.	Ident. No.	Order No.	Ident. No.	Order No.	Ident. No.	Order No.
Dimensions (mm)	a	25		25		40		40	
	d	32		40		52		62	
	h	29		24		32		26	
	s	5		6		8		8	
	Load-carrying capacity (daN)		50		80		100		125
Weight (kg)		0.15		0.25		0.32		0.42	

Transport unit

C-rail

NO 145005

NO 146005

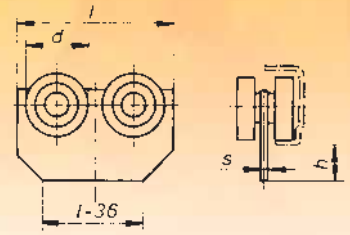
NO 147005

NO 148005

Transport unit to be welded with 4 rollers

Materials:
 Casters: Steel, galvanized.
 Plate: Steel, bare.

Not for bends of radius
 below 800 mm.

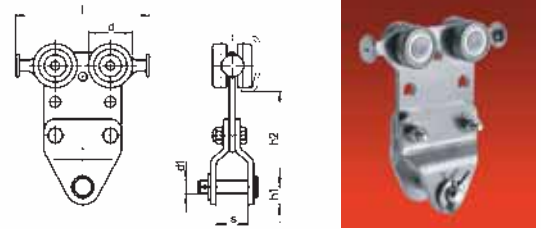


Technical data

Technical data		Ident. No.	Order No.	Ident. No.	Order No.	Ident. No.	Order No.	Ident. No.	Order No.
		0019880	NO 145092	0019945	NO 146092	0020036	NO 147092	0020199	NO 148092
Dimensions (mm)	d	32		40		52		62	
	h	50		45		51		45	
	l	120		120		160		160	
	s	5		5		8		8	
Load-carrying capacity (daN)		100		160		200		250	
Weight (kg)		0,45		0,55		0,7		0,9	

Transport unit for load hooks with 4 rollers

Materials:
 Casters: Steel, galvanized.
 Load-carrying part: galvanized.

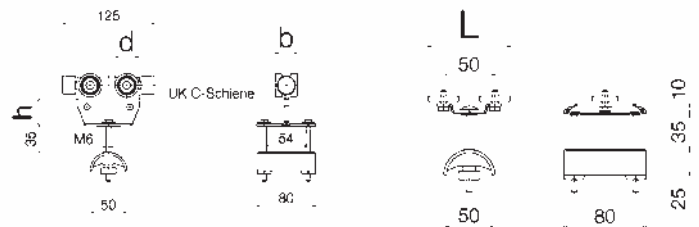


Technical data

Technical data		Ident. No.	Order No.	Ident. No.	Order No.	Ident. No.	Order No.	Ident. No.	Order No.
		0019875	NO 145024	0019940	NO 146024	0020009	NO 147024	0020192	NO 148024
Dimensions (mm)	s	29		29		40		40	
	h ₁	16		16		22		22	
	h ₂	92		87		107		101	
	d ₁	32		40		52		62	
	d ₂	12		12		20		20	
l		120		120		160		160	
Load-carrying capacity (daN)		100		160		250		400	
Weight (kg)		0,75		0,85		1		1,2	

Flat cable trolley and end clamp

Materials:
 Casters: Steel, galvanized.
 Load-carrying part: Steel, galvanized.
 Bearing surface: Plastic.
 Buffer: Rubber.
 Small parts: Steel, galvanized.



Cable trolleys

End clamp

Technical data

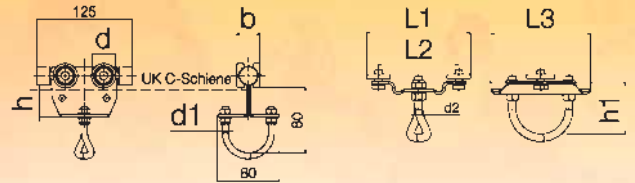
Technical data		Ident. No.	Order No.	Ident. No.	Order No.	Ident. No.	Order No.	Ident. No.	Order No.
Design	Cable trolleys	0020682	NO 24242-125	0028957	NO 25270-125x80	0028958	NO 25770-125x80	0028959	NO 26270-125x80
	End clamp	0020521	NO 23269	0028960	NO 25290	0028961	NO 25790	0028962	NO 26290
Dimensions (mm)	d	30		37		47		62	
	b	32		25		32		32	
	h	40		42		38		38	
	l	75		80		80		80	
Weight (kg)	Cable trolleys	0,54		0,52		0,54		0,54	
	End clamp	0,19		0,18		0,19		0,19	

Transport unit

C-rail	NO 145005	NO 146005	NO 147005	NO 148005
--------	-----------	-----------	-----------	-----------

Round cable trolley and end clamp

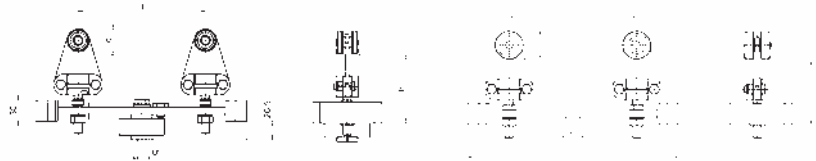
Materials:
Casters: Steel, galvanized.
Load-carrying part: Steel, galvanized.
Bearing surface: Plastic.
Buffer: Rubber.
Small parts: Steel, galvanized.



Technical data		Ident. No.	Order No.	Ident. No.	Order No.	Ident. No.	Order No.	Ident. No.	Order No.
Design	Cable trolley	0020705	NO 24316-125	0020780	NO 25396-125	0020799	NO 25896-125	0028953	NO 26396-125
	End clamp	0020708	NO 24318	0028954	NO 25398	0028955	NO 25898	0028956	NO 26398
Dimensions (mm)	d	30		37		47		32	
	b	32		25		32		32	
	d ₁	8		6		8		8	
	d ₂	8		6		8		8	
	h	38		42		38		38	
	h ₁	55		62		60		60	
	l ₁	110		80		110		110	
	l ₂	85		50		85		85	
Weight (kg)	Cable trolley	0,57		0,55		0,57		0,57	
	End clamp	0,32		0,4		0,7		0,7	

Transport unit WITH and WITHOUT snap-in locking device

Materials: Steel, galvanized

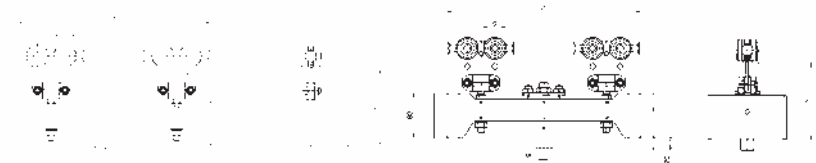


Technical data		Ident. No.	Order No.*	Ident. No.	Order No.*	Ident. No.	Order No.*	Ident. No.	Order No.*
Design	Without snap-in locking device	0019867	NO 145015-B	0019933	NO 146015-B	-		-	
	With snap-in locking device	0019870	NO 145018-..B	0019934	NO 146018-..B	-		-	
Dimensions (mm)	d	32		40		-		-	
	h	95		90		-		-	
	l	300		300		-		-	
	l ₁	180		180		-		-	
M	M12/M14		M12/M14		-		-		
Load-carrying capacity (daN)		100		125		-		-	
Weight (kg)		2,7		2,8		-		-	

* Please specify thread size M!

Transport unit WITH and WITHOUT snap-in locking device

Materials: Steel, galvanized



Technical data		Ident. No.	Order No.*	Ident. No.	Order No.*	Ident. No.	Order No.	Ident. No.	Order No.
Design	Without snap-in locking device	0019876	NO 145025-400	0019942	NO 146025-400	0020010	NO 147025-400	0020193	NO 148025-400
	With snap-in locking device	0019878	NO 145028-400	0019943	NO 146028-400	0020011	NO 147028-400	0020194	NO 148028-400
5Dimensions (mm)	d	32		40		52		62	
	h	95		90		155		149	
	l	300		300		400		400	
	l ₁	300		300		388		388	
M	M12/M14		M12/M14		M16		M16		
Load-carrying capacity (daN)		200		250		400		500	
Weight (kg)		3,2		3,3		-		-	

* Please specify thread size M!

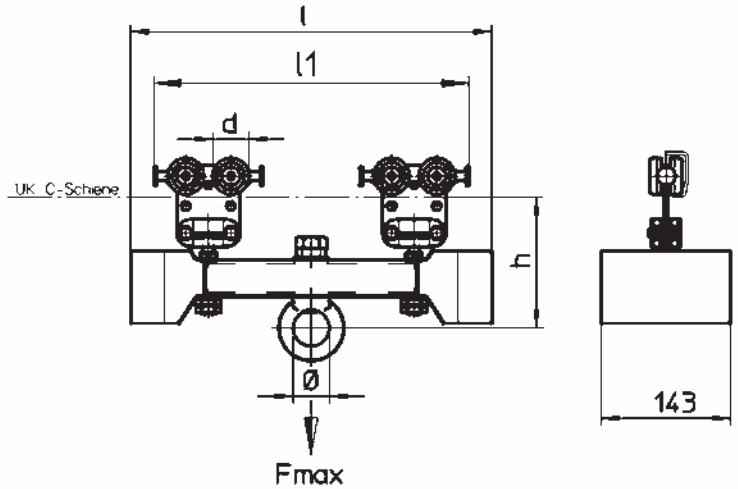
Transport unit

C-rail	NO 145005	NO 146005	NO 147005	NO 148005
--------	-----------	-----------	-----------	-----------

Transport unit with eyelet and 4 rollers



Materials:
Casters: Steel, galvanized.
Load-carrying part: galvanized.



Technical data	Ident. No.	Order No.	Ident. No.	Order No.	Ident. No.	Order No.	Ident. No.	Order No.
l = 400	0028993	NO 145026-400	0028994	NO 146026-400	0028995	NO 147026-400	0028996	NO 148026-400
l = 500	0028997	NO 145026-500	0028998	NO 146026-500	0028999	NO 147026-500	0029000	NO 148026-500
l = 630	0029001	NO 145026-630	0029002	NO 146026-630	0029003	NO 147026-630	0029004	NO 148026-630
Project dimensions (mm)								
l ₁		I-52		I-52		I-52		I-52
Ø d		32		40		52		62
h		150		145		160		154
Ø		40		40		40		40
		Max. load on cross bars						
Cross bar lengths (mm)								
l = 400		200		320		400		500
l = 500		200		320		400		500
l = 630		200		320		400		500

Check the max. permissible distributed load of the C-rail.

Fittings for hanging sliding gates (for rails, see page H 41)

Materials:

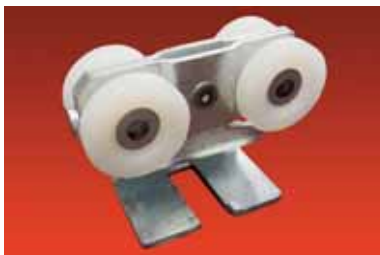
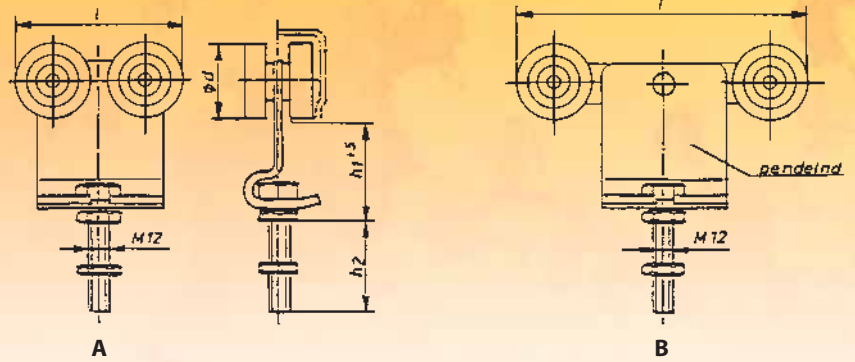
Steel, galvanized.

NO 145005

NO 146005

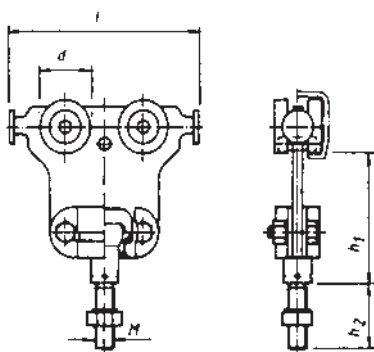
NO 147005

NO 148005



Order No.	Dimensions						Load-carrying capacity daN
	For rail	d mm	h ₁ mm	h ₂ mm	l mm	M	
Type A							
NO 43925	30	25	35	20	78	M12	50
NO 43935	40	32	56	20	82	M12	100
NO 43945	50	40	51	20	90	M12	125
Type B							
NO 43939	40	32	56	20	157	M12	50
NO 43949	50	40	51	20	170	M12	80
NO 43959	63	52	44	20	182	M12	100
Special running gear							
NO 43935-B	40	35	38	102	90	M12	50

Running gear



With rotating and swinging pin

NO 145020-12B	40	32	75	40	120	M12	100
NO 146020-B	50	40	70	40	120	M16	160
NO 147020-B	63	52	58	40	160	M16	200
NO 148020-B	80	62	80	40	160	M16	250

Lower guide rail

Order No. 1115/6

Sendz.-galv. 6 m length Length



Guide for screwing

Order No. 1059



Easy-Slide - Fitting set for cantilever gates

Rediscover the cantilever gate! Together we can make a formidable team! You build the gate* according to your requirements, and we will make it move. With or without power drive – simply

Easy-Slide



**Clear passage up to 4.5 m.
Maximum weight of gate body
250 kg.**

- Securely blocks off your driveway.
- Entry is not obstructed in any way when the gate is open.
- Passage is not obstructed by any tripping hazards.
- The smallest space requirement; the large space required for swing gates does not apply.
- Also functions in snow and with dirt in the driveway.
- Ideal for short driveways.
- Functions independently of the driveway surface.
- Can be used for both upward-sloping and downward-sloping driveways.
- Simple assembly, no supporting columns.

Simply choose your Easy-Slide system package. Whether it's with or without a drive, you will receive a complete package that you can erect in just a few minutes according to the modular system principle, without any need for welding.

Lengthy aligning and testing procedures are a thing of the past. Place the base plate of the Easy-Slide system on the prefabricated foundation, and start screwing down the individual components.

The base plate offers unlimited possibilities for designing the gate. The provided 6-m-long slide rail, which can be shortened to any desired length, allows the system to be individually adapted to suit any driveway width from 1000 mm up to 4500 mm

Screwing all of the gate's components together means that welding work and additional galvanizing or painting procedures can be dispensed with.

The gate column, which is also fastened with screws, serves as the carrier for the guide roller and can be retrofitted with flashing lights and other electronic components if required.

*** The gate must be rigidly constructed according to the relevant rules for cantilever gates because the fitting doesn't carry the gate, but instead the gate carries the fitting.**

The power drive

The Lift Master 300 power drive provides you with a robust but precise and smoothly operating gate actuator. Of course, we supply the gate actuator with light barrier, gear rack, assembly material, and hand-held transmitter.



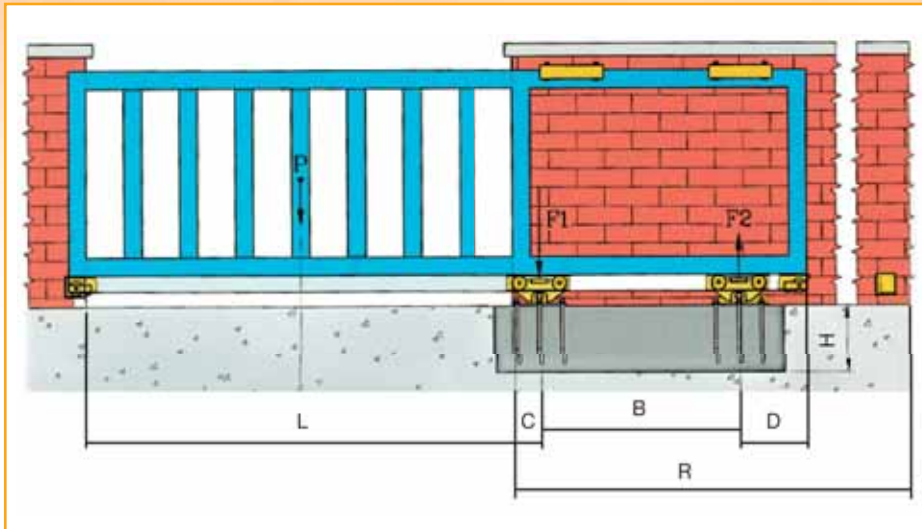
The roller units

They form the heart of the Easy-Slide system and are manufactured with the highest degree of precision and equipped with ball bearings in runner and guide rollers.



Our service for you:

We will calculate your cantilever gate.
Give us the dimensions and weight of your gate.
You will promptly be faxed your gate and foundation plan.



Openings per day

Wind permeability Yes No

Width of opening L (m)

Weight of door in the clearance opening without rail (kg)

Stowage space distance R (m)

Guide roller

For screwing

For embedding in concrete

Rail Bright Galvanized

We will provide you with the following information:

- Distance between roller units (B).
- Dimensions C and D.
- Overall rail length.
- Weight of gate with rail.
- Minimum weight of a foundation.
- Minimum dimensions of a foundation.

Your data

Company _____

Contact person _____

Street _____

Postal code _____

Location _____

Tel. _____

Fax _____

e-mail _____

Weld-on handle



Screw-on handle



Recessed handle



Please fill out and fax or mail to:

TORWEGGE conveying elements:

Fax: +49 521 93417-661
e-mail: info@torwegge.de

TORWEGGE Glauchau

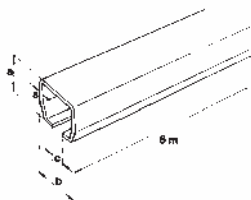
Fax: +49 3763 5091-10
e-mail: glauchau@torwegge.de

Fittings for cantilever sliding gates

Slide rail galvanized and bare. Roller units and accessories galvanized.

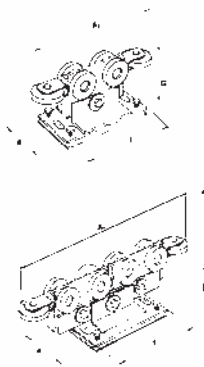


Slide rail 6 m



Order No.	For type	a mm	b mm	c mm	s mm	A	Dead weight/ m
9050/6	50	60	65	18	4	galv.	5.39 kg
9060/6	60	75	80	22	5	galv.	8.57 kg
9070/6	70	110	90	25	7	galv.	15.86 kg
9050N/6	50	60	65	18	4	Bright	5.39 kg
9060N/6	60	75	80	22	5	Bright	8.57 kg
9070N/6	70	110	90	25	7	Bright	15.86 kg

Roller units



Order No.	For type	A mm	e mm	f mm	G mm	Load-carrying capacity kg
9952S	50	258	106	100	89	600
9962S	60	316	110	210	127	1000
9972S	70	371	165	300	162	1800
9968S	60	484	170	210	146	1200
9978S	70	632	200	300	164	2400

End roller

Order No.	For type
1050G	50
1060G	60
1070G	70



Entrance grip

Order No.	For type
1050E	50
1060E	60
1070E	70



Guide rollers

For screwing on, polyamide rollers, adjustable.

Order No.	1053
-----------	------



Guide roller

Made of polyamide, with M14 threads, diameter 44 mm.

Order No.	594/044
-----------	---------



Product portrait

Lifting gear



Electric chain hoists
Swivel arms
Manual trolleys
Electric trolleys
Clamping buffers

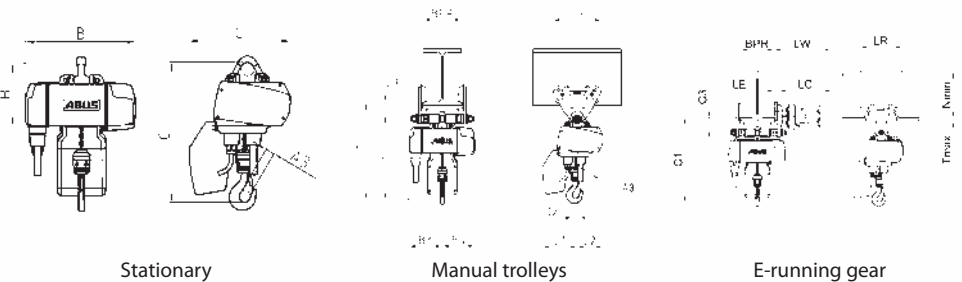


The TGM-Compact
The electric chain hoist is
supplied with chain box,
chain, and TGMCommander
and it is ready for
immediate installation.



Option: Remote control

Remote control option: Hoisting and lowering – wireless and independent of location with the radio-controlled Mini RC as part of our supplementary equipment. The receiver is simply plugged into the chain hoist in the place of the push button pendant.



Stationary

Manual trolleys

E-running gear

Order No.	Load-carrying capacity kg	Chain strand No.	Main/ Creep hoist m/min.	FEM grading mm	Installation height			Dead weight kg
					C mm	C2 mm	C1 mm	
TGM2-125.8S	125	1	2/8	4m	344	357	–	22
TGM2-250.8S	250	1	2/8	2m	344	357	–	22
TGM2-500.4S	500	2	1/4	2m	425	394	–	25
TGM4-500.8S	500	1	2/8	2m	390	427	–	35
TGM4-1000.4S	1000	2	1/4	2m	470	527	–	38
TGM6-2000.4S	2000	2	1/4	2m	564	549	–	64
TGM6-2500.4S	2500	2	1/4	1Am	564	549	–	64
TGM8-3200.4S	3200	2	0,7/4	2m	674	816	–	101

*) For running gear orders, we require details of the flange width BPR of the profile.
Other designs are available on request.

- Load-carrying capacities 4000 kg
- Contactor control 48 V
- Electronic stroke limit switch
- Longer hook travel
- Radio-controlled Mini-RC
- Higher/lower hoisting speeds

Electric chain hoists for 230V or 400 V

TGM-ABUCompact for 230 V/50 Hz

Handy, immediately operational electric chain hoist with 230-V two-prong grounded plug, for **weights up to 200 kg**. The special advantages of the TGM-Compact: Due to the low dead weight and the possibility of connecting it via a normal 230-V outlet, this compact chain hoist can be utilized flexibly at workstations within enclosed halls. The speed can be **infinitely** adjusted via the TGMCommander (**up to 12 m per minute**).

Order No.	Load-carrying capacity kg	Chain strand No.	Infinitely adjustable travel m/min.	Hook travel m	FEM grading mm	Dead weight kg
TGMC100/03	100	1	0.7 – 12	3	1Am	10
TGMC100/06	100	1	0.7 – 12	6	1Am	11
TGMC100/10	100	1	0.7 – 12	10	1Am	12
TGMC100/20	100	1	0.7 – 12	20	1Am	14
TGMC200/03	200	2	0.3 – 6	3	1Am	12
TGMC200/06	200	2	0.3 – 6	6	1Am	13
TGMC200/10	200	2	0.3 – 6	10	1Am	15

The corresponding manual running gear THF3 can be found on page H 59.

Electric TGM ABUCompact chain hoists for 400 V/50 Hz

Torwegge electric chain hoists are particularly impressive through their practical and user-friendly advantages: A particularly low overall height, standard creep hoist, and brake pads with extremely long service lives as well as an extensive range of supplementary equipment. And with load-carrying capacities up to 4.0 t.

Scope of supply

Electric chain hoist ready for connection, complete with chain and chain box. Folding and removable suspension bracket. Control via push button pendant with "emergency stop." Hook travel 3 m.

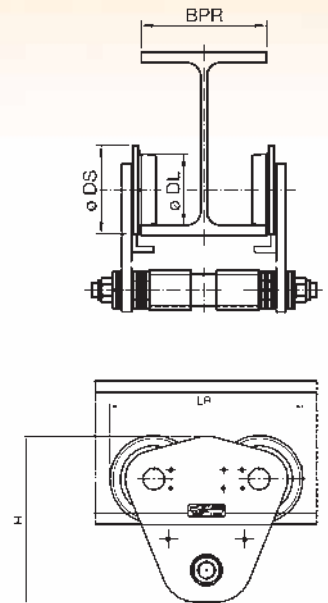
Manual trolleys THF for single-rail trolley tracks



- Low installation height.
- Sturdy design with roller bearings.
- Practically maintenance-free.
- Machined rollers.
- Can be used for all standardized beams.
- Climbing and fall protection.
- Easy to adjust.
- Color blue.

Order No.	Load-carrying capacity	Flange width from - to	Total length mm	Height mm	Wheel Ø mm	Wheel tread Ø mm	Weight kg
	kg	mm					
THF3/42-120	300	42 - 120	165	135	56	75	3.9
THF3/121-180	300	120 - 180	165	135	56	75	4.4
THF6/42-120	600	42 - 120	205	153	65	85	6.1
THF6/121-220	600	121 - 220	205	153	65	85	6.7
THF14/64-125	1400	64 - 125	250	193	80	100	11
THF14/126-200	1400	126 - 200	250	193	80	100	11.7
THF14/201-300	1400	201 - 300	250	193	80	100	12.6
THF22/82-150	2200	82 - 150	320	236	112	140	23.2
THF22/151-200	2200	151 - 200	320	236	112	140	23.9
THF22/201-300	2200	201 - 300	320	236	112	140	25.8
THF36/90-155	3600	90 - 155	320	253	112	140	29.7
THF36/156-200	3600	156 - 200	320	253	112	140	30.4
THF36/201-300	3600	201 - 300	320	253	112	140	32.2
THF50/100-195	5000	100 - 195	400	348	140	180	65.5
THF50/200-305	5000	200 - 305	400	348	140	180	70.5

Max. bend radius on request.



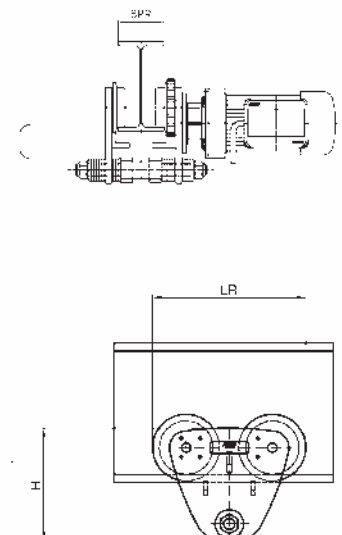
TEF electric trolleys for single-rail trolley tracks



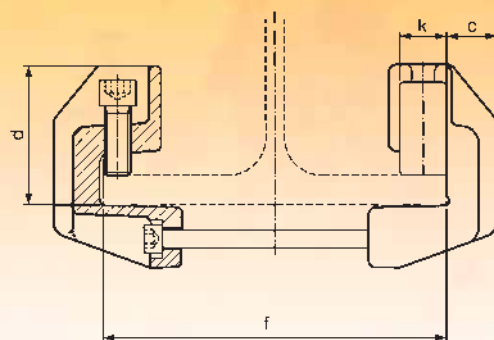
Robust construction fitted with roller bearings - practically maintenance-free - machined rollers - can be used for all standardized beams - climbing and fall protection - easy to adjust - electromechanical, durable disc brake

- Color blue.
- Operating voltage 400V/50Hz.
- Driving speed 5/20 m/min.
- Protection class IP 55.
- Duty cycle 40%.

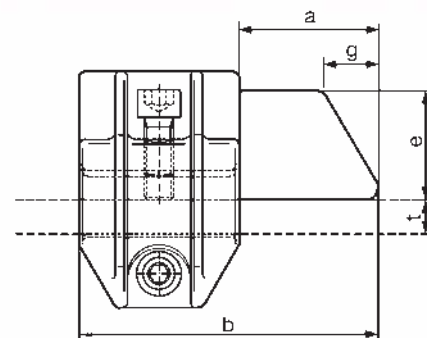
Order No.	Load-carrying capacity	Flange width from - to	Total length mm	Height mm	Wheel Ø mm	Wheel tread Ø mm	Weight kg
	kg	mm					
TEF14/64-125	1400	64 - 125	265	193	80	100	37.1
TEF14/126-200	1400	126 - 200	265	193	80	100	37.8
TEF14/201-300	1400	201 - 300	265	193	80	100	27.1
TEF22/82-150	2200	82 - 150	335	236	112	140	49.4
TEF22/151-200	2200	151 - 200	335	236	112	140	38.6
TEF22/201-300	2200	201 - 300	335	236	112	140	40.5
TEF36/90-155	3600	90 - 155	335	253	112	140	43.9
TEF36/156-200	3600	156 - 200	335	253	112	140	44.2
TEF36/201-300	3600	201 - 300	335	253	112	140	46.5
TEF50/100-195	5000	100 - 195	403	348	140	180	87.9
TEF50/200-305	5000	200 - 305	403	348	140	180	92.9



Clamping buffers TKP

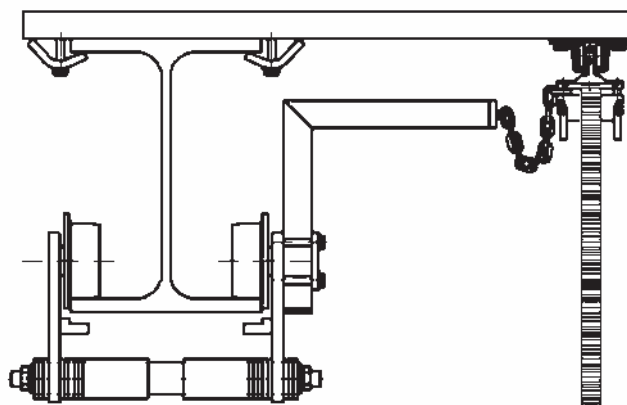


Selection table for trolley buffer form								
Design size	Dimensions in mm							Weight kg
	b	c	d	Rubber				
				a	e	g	k	
Alpha	110	20	63	45	40	15	26	2.6
Beta	170	32	90	80	60	35	30	5.9



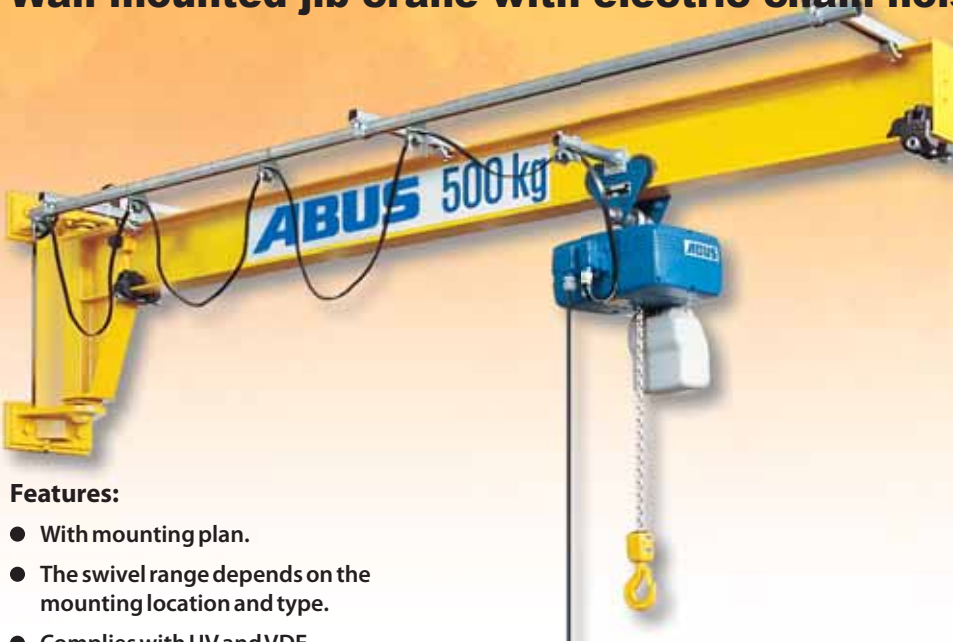
Order No.	Design size	Carrier		Use with ABUS electric chain hoist
		BPR mm	t mm	
TKP-Alpha/64-120	Alpha	64 – 120	≤ 20.5	ABUCompact TGMC to TGM8 Up to 2.0 t load-carrying capacity
TKP-Alpha/121-190		121 – 190	≤ 20.5	
TKP-Alpha/191-243		191 – 243	≤ 20.5	
TKP-Alpha/244-300		244 – 300	≤ 20.5	
TKP-Beta/110-160	Beta	110 – 160	≤ 30.0	ABUCompact TGM8 From 2.5 t to 4.0 t load-carrying capacity
TKP-Beta/161-230		161 – 230	≤ 30.0	
TKP-Beta/231-283		231 – 283	≤ 30.0	
TKP-Beta/284-340		284 – 340	≤ 30.0	

Trolley driver TKSM



Order No.	Weight kg
TKSM	3.5

Wall-mounted jib crane with electric chain hoist



Features:

- With mounting plan.
- The swivel range depends on the mounting location and type.
- Complies with UV and VDE regulations.
- Complies with the German Equipment Safety Act.
- High-quality corrosion protection thanks to mechanical steel shot rust removal according to DIN 55928.
- Synthetic resin coating, RAL 1007 yellow.
- With complete electrical system consisting of lockable power cut-off switch and power supply line to the lifting gear.
- Mounting bolts must be provided by the customer.

Scope of supply

The crane

- Arm complete with wall mount.
- Electric chain hoist with push trolley.
- Mounting plan.
- Manual pivot.

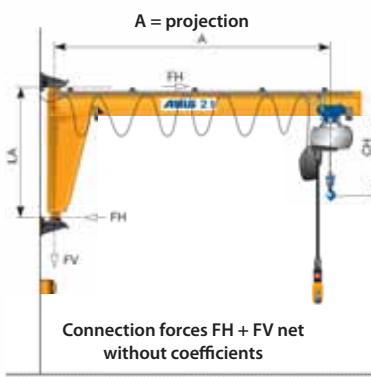
The chain hoist

- High-quality electric chain hoist model TGM.
- Protection class IP 55.
- With tested safety chain.
- With chain case.
- With creep hoist.
- Operating voltage 400 V / 50 Hz.
- Control via safety buttons with mechanical contact locking.

Wall-mounted jib crane VW Medium-weight construction (DIN 15018 H2/B3)

Other features:

- Nominal swivel range 180°.
- Attachment via 2 wall brackets.
- Robust, low profile arm for a large usable hook height, adjustable trolley buffers, removable arm end plate.
- **Attachment alternatives (on request)**
- Via clamping bracket with weld-on plates.
- Other load-carrying capacities up to 4000 kg, projections, and electrical traction and swivel drives available on request.



Order No.	Load-carrying capacity kg	Projection mm	Lift m/min.	Chain hoist	LA mm	CH mm	H1 mm	FH kN	FV kN	Weight kg
VW0250/3	250	3000	8/2	TGM2-250.8	630	382	345	16.3	4.33	192
VW0250/4	250	4000	8/2	TGM2-250.8	630	382	345	22.3	4.6	220
VW0250/5	250	5000	8/2	TGM2-250.8	1000	381	385	19.4	5.4	302
VW0250/6	250	6000	8/2	TGM2-250.8	1250	380	505	21.8	7.18	483
VW0250/7	250	7000	8/2	TGM2-250.8	1250	380	505	26.4	7.65	530
VW0500/3	500	3000	4/1	TGM2-500.4	630	485	345	28.4	6.9	205
VW0500/4	500	4000	4/1	TGM2-500.4	1000	484	385	25.2	7.6	278
VW0500/5	500	5000	4/1	TGM2-500.4	1250	483	505	27.5	9.3	448
VW0500/6	500	6000	4/1	TGM2-500.4	1250	483	505	33.9	9.8	496
VW0500/7	500	7000	4/1	TGM2-500.4	1250	481	565	43.6	11.3	657
VW1000/3	1000	3000	4/1	TGM4-1000.4	1250	528	505	27.8	13.4	367
VW1000/4	1000	4000	4/1	TGM4-1000.4	1250	528	505	37.4	13.9	414
VW1000/5	1000	5000	4/1	TGM4-1000.4	1250	526	565	49	15.2	546
VW1000/6	1000	6000	4/1	TGM4-1000.4	1250	526	565	60.1	15.8	608
VW1000/7	1000	7000	4/1	TGM4-1000.4	1600	525	605	57.6	17.3	762
VW2000/3	2000	3000	4/1	TGM6-2000.4	1250	631	565	52.7	24.1	461
VW2000/4	2000	4000	4/1	TGM6-2000.4	1600	630	605	56.1	25.4	588
VW2000/5	2000	5000	4/1	TGM6-2000.4	1600	629	695	72.4	27.8	830
VW2000/6	2000	6000	4/1	TGM6-2000.4	1600	629	695	88.1	28.6	912
VW2000/7	2000	7000	4/1	TGM6-2000.4	2000	627	745	85.4	30.7	1131

Prices including electric chain hoist and wall bracket, without mounting bolts.

Product similar to illustrations!

www.torwegge-group.com

Leaving technical changes!

Wall-mounted jib crane LW

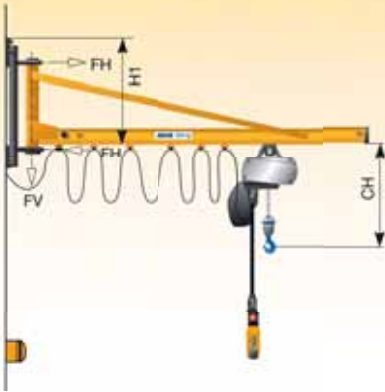
Lightweight construction
(DIN 15018 H2/B2).

Other features:

- Nominal swivel range 180° profile arm manufactured from robust steel hollow sections, with wall bracket, smooth-running arm mount.

Attachment alternatives (on request):

- Via clasp bracket with weld-on plates.



Prices including electric chain hoist and wall bracket, without mounting bolts.

Order No.	Load-carrying capacity kg	Projection mm	Lift m/min.	Chain hoist	LA mm	CH mm	H1 mm	FH kN	FV kN	Weight kg
LW0125/2	125	2000	8/2	TGM2-125.8	492	389	614	6	2.1	65
LW0125/3	125	3000	8/2	TGM2-125.8	492	389	614	9.6	2.2	78
LW0125/4	125	4000	8/2	TGM2-125.8	492	389	614	13.5	2.4	92
LW0125/5	125	5000	8/2	TGM2-125.8	492	389	614	17.6	2.5	104
LW0250/2	250	2000	8/2	TGM2-250.8	492	389	614	10.6	3.3	65
LW0250/3	250	3000	8/2	TGM2-250.8	492	389	614	16.7	3.5	78
LW0250/4	250	4000	8/2	TGM2-250.8	600	389	665	19.9	4	125
LW0250/5	250	5000	8/2	TGM2-250.8	600	389	665	25.9	4.2	146
LW0250/6	250	6000	8/2	TGM2-250.8	600	389	665	32.2	4.4	167
LW0500/2	500	2000	4/1	TGM2-500.4	600	470	665	16.5	6	85
LW0500/3	500	3000	4/1	TGM2-500.4	600	470	665	26	6.2	107
LW0500/4	500	4000	4/1	TGM2-500.4	600	470	665	35.8	6.4	128
LW0500/5	500	5000	4/1	TGM2-500.4	800	456	900	35.5	7.3	195
LW0500/6	500	6000	4/1	TGM2-500.4	800	456	900	43.8	7.6	223
LW1000/3	1000	3000	4/1	TGM4-1000.4	800	516	900	35.9	11.8	159
LW1000/4	1000	4000	4/1	TGM4-1000.4	800	516	900	49.9	12.1	187
LW1000/5	1000	5000	4/1	TGM4-1000.4	880	516	980	59.1	12.7	249

Other projections are available on request.

Wall-mounted jib crane LWX

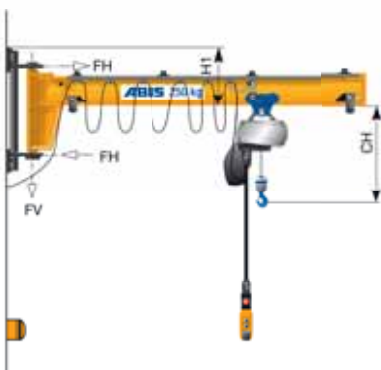
Lightweight construction
(DIN 15018 H2/B2).

Other features:

- Nominal swivel range 180° Robust, low profile arm for a large usable hook height, with wall bracket, adjustable trolley buffers and removable arm end plate.

Attachment alternatives (on request):

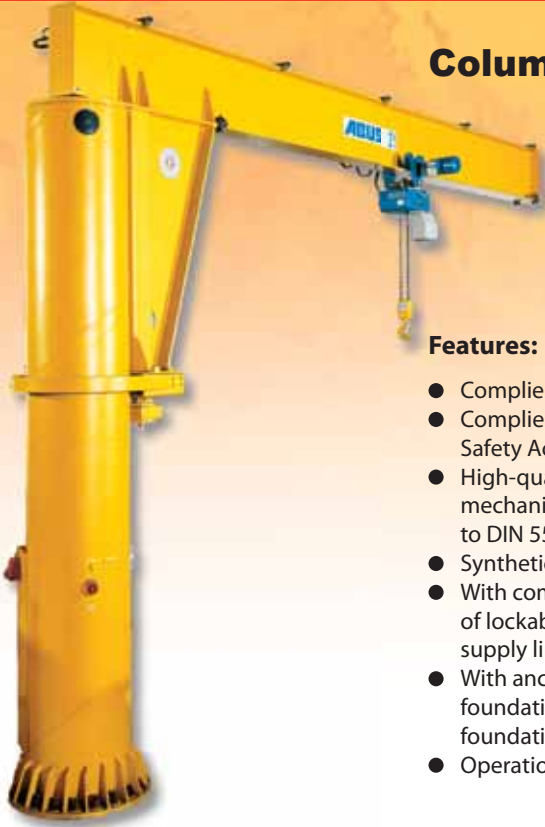
- Via clasp bracket with weld-on plates.



Prices including electric chain hoist and wall bracket, without mounting bolts.

Order No.	Load-carrying capacity kg	Projection mm	Lift m/min.	Chain hoist	LA mm	CH mm	H1 mm	FH kN	FV kN	Weight kg
LWX0125/2	125	2000	8/2	TGM2-125.8	492	383	296	5.6	2.5	125
LWX0125/3	125	3000	8/2	TGM2-125.8	492	383	296	8.9	2.7	145
LWX0125/4	125	4000	8/2	TGM2-125.8	600	383	350	12.1	3.3	206
LWX0125/5	125	5000	8/2	TGM2-125.8	600	383	350	16	3.5	227
LWX0125/6	125	6000	8/2	TGM2-125.8	800	383	452	16.6	4.6	340
LWX0250/2	250	2000	8/2	TGM2-250.8	492	383	296	9.4	3.8	130
LWX0250/3	250	3000	8/2	TGM2-250.8	600	383	350	13.7	4.3	183
LWX0250/4	250	4000	8/2	TGM2-250.8	600	383	350	19.1	4.6	214
LWX0250/5	250	5000	8/2	TGM2-250.8	800	383	452	19.4	5.6	311
LWX0250/6	250	6000	8/2	TGM2-250.8	800	383	452	24.3	5.9	342
LWX0500/2	500	2000	4/1	TGM2-500.4	600	669	350	15.7	6.7	183
LWX0500/3	500	3000	4/1	TGM2-500.4	600	469	350	24.5	6.9	203
LWX0500/4	500	4000	4/1	TGM2-500.4	800	469	452	25.5	7.8	300

Other projections are available on request.



Column-mounted jib crane with electric chain hoist

Features:

- Complies with UV and VDE regulations.
- Complies with the German Equipment Safety Act.
- High-quality corrosion protection thanks to mechanical steel shot rust removal according to DIN 55928.
- Synthetic resin coating, RAL 1007 yellow.
- With complete electrical system consisting of lockable power cut-off switch and power supply line to the lifting gear.
- With anchor rods and template, as well as a foundation and reinforcement plan for the foundation.
- Operation in halls enclosed on all sides.

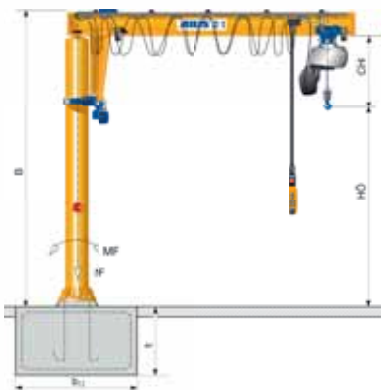
Scope of delivery:

The crane

- Column and arm complete with anchor rods and steel template.
- Electric chain hoist with push trolley.
- Complete electrical system.
- Foundation and reinforcement plan.
- Manual pivot.

The chain hoist

- High-quality electric chain hoist model TGM.
- Protection class IP 55.
- With tested safety chain.
- With chain case.
- With creep hoist.
- Operating voltage 400 V / 50 Hz.
- Control via safety buttons with mechanical contact locking.



Column-mounted jib crane VW

Medium-weight construction (DIN 15018 H2/B3)

Other features:

- Height of lower edge of arm 3300 mm.
- Nominal swivel range infinite (360°).
- Robust, low profile arm for a large usable hook height.
- Adjustable trolley buffer, removable arm end plate.

Attachment alternatives (on request)

- On existing industrial floor space through the use of an intermediate plate with floor/ceiling anchors.
- Foundation attached via flush-fitting ideal anchors.
- The foundation can be driven over until crane is assembled.

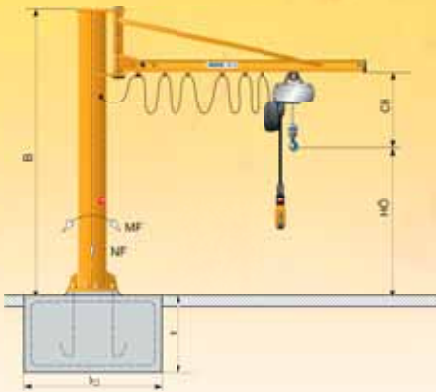
Other load-carrying capacities up to 4000 kg, installation heights, projections, and electrical traction and swivel drives available on request.

Order No.	Load-carrying capacity kg	Projection mm	Lift m/min.	Chain hoist	B mm	CH mm	HÖ mm	b mm	t mm	MF kNm	NF kN	Weight kg
VS0250/3	250	3000	8/2	TGM2-250.8	3560	382	2918	1100	800	10.3	6.2	386
VS0250/4	250	4000	8/2	TGM2-250.8	3600	381	2919	1300	800	14.9	6.8	449
VS0250/5	250	5000	8/2	TGM2-250.8	3660	380	2920	1500	800	20.9	7.7	546
VS0250/6	250	6000	8/2	TGM2-250.8	3660	380	2920	1500	1000	26.7	9.3	706
VS0250/7	250	7000	8/2	TGM2-250.8	3720	378	2922	1600	1000	36.4	10.8	861
VS0500/3	500	3000	4/1	TGM2-500.4	3600	469	2831	1400	800	18.3	9.8	419
VS0500/4	500	4000	4/1	TGM2-500.4	3600	469	2831	1400	1000	25.2	10.4	567
VS0500/5	500	5000	4/1	TGM2-500.4	3720	466	2834	1600	1000	35.8	12.1	743
VS0500/6	500	6000	4/1	TGM2-500.4	3720	466	2834	1700	1000	44.6	13.3	865
VS0500/7	500	7000	4/1	TGM2-500.4	3720	466	2834	1900	1000	54.4	15.1	1044
VS1000/3	1000	3000	4/1	TGM4-1000.4	3660	528	2772	1600	1000	34.6	15.5	591
VS1000/4	1000	4000	4/1	TGM4-1000.4	3720	526	2774	1800	1000	48.1	17.2	763
VS1000/5	1000	5000	4/1	TGM4-1000.4	3720	526	2774	1900	1000	61.7	19	941
VS1000/6	1000	6000	4/1	TGM4-1000.4	3810	524	2776	2100	1000	79.6	20.8	1133
VS1000/7	1000	7000	4/1	TGM4-1000.4	3810	524	2776	2200	1000	95.5	22.9	1335
VS2000/3	2000	3000	4/1	TGM6-2000.4	3660	633	2667	1900	1000	65.7	27.5	805
VS2000/4	2000	4000	4/1	TGM6-2000.4	3720	631	2669	2100	1000	89.5	29.7	1038
VS2000/5	2000	5000	4/1	TGM6-2000.4	3860	627	2673	2300	1000	117.6	32.1	1279
VS2000/6	2000	6000	4/1	TGM6-2000.4	3860	627	2673	2500	1000	145	36.4	1716
VS2000/7	2000	7000	4/1	TGM6-2000.4	3910	626	2674	2700	1000	176	38.5	1926

Prices including electric chain hoist and anchoring material for attaching to foundation.

Column-mounted jib crane LS

Lightweight construction (DIN 15018 H2/B2)



Other features:

- Height of lower edge of arm 2600 mm.
- Nominal swivel range infinite 270°.
- Profile arm and column made of robust steel hollow sections.
- Smooth-running arm mount.

Attachment alternatives (on request):

- On existing industrial floors through the use of anchor plate and composite anchors or via an intermediate plate with floor/ceiling anchors.
- Foundation attached via flush-fitting ideal anchors. The foundation can be driven over until crane is assembled.

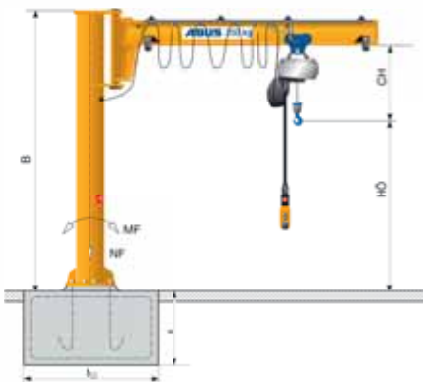
Other installation heights and projections available on request.

Order No.	Load-carrying capacity kg	Projection mm	Lift m/min.	Chain hoist	B mm	CH mm	HÖ mm	b mm	t mm	MF kNm	NF kN	Weight kg
LS0125/2	125	2000	8/2	TGM2-125.8	3140	389	2211	800	800	3.4	3.2	213
LS0125/3	125	3000	5/2	TGM2-125.8	3140	389	2211	900	800	5.2	3.3	226
LS0125/4	125	4000	8/2	TGM2-125.8	3140	389	2211	1100	800	7.2	3.5	240
LS0125/5	125	5000	8/2	TGM2-125.8	3140	389	2211	1200	800	9.3	3.6	252
LS0250/2	250	2000	8/2	TGM2-250.8	3140	389	2211	1000	800	6	4.5	213
LS0250/3	250	3000	8/2	TGM2-250.8	3140	389	2211	1100	800	9	4.6	226
LS0250/4	250	4000	8/2	TGM2-250.8	3140	389	2211	1300	800	13	5.4	318
LS0250/5	250	5000	8/2	TGM2-250.8	3200	389	2211	1400	800	16.7	5.7	339
LS0250/6	250	6000	8/2	TGM2-250.8	3200	389	2211	1500	800	20.6	5.9	360
LS0500/2	500	2000	4/1	TGM2-500.4	3200	470	2130	1200	800	11.6	7.5	278
LS0500/3	500	3000	4/1	TGM2-500.4	3200	470	2130	1400	800	17.3	7.7	300
LS0500/4	500	4000	4/1	TGM2-500.4	3200	470	2130	1500	800	23.3	7.9	321
LS0500/5	500	5000	4/1	TGM2-500.4	3390	456	2144	1700	800	30.8	9.7	498
LS0500/6	500	6000	4/1	TGM2-500.4	3390	456	2144	1800	800	37.6	9.9	526
LS1000/3	1000	3000	4/1	TGM4-1000.4	3390	516	2084	1700	800	32.7	14.2	462
LS1000/4	1000	4000	4/1	TGM4-1000.4	3390	516	2084	1800	800	44	14.5	490
LS1000/5	1000	5000	4/1	TGM4-1000.4	3470	516	2084	2000	800	56.7	16.5	703

Prices including electric chain hoist and anchoring material for attaching to foundation.

Column-mounted jib crane LSX

Lightweight construction (DIN 15018 H2/B2).



Other features:

- Height of lower edge of arm 2600 mm.
- Nominal swivel range infinite 270°.
- Robust, low profile arm for a large usable hook height, adjustable trolley buffers, removable arm end plate.

Attachment alternatives (on request):

- On existing industrial floors through the use of anchor plate and composite anchors or via an intermediate plate with floor/ceiling anchors.
- Foundation attached via flush-fitting ideal anchors. The foundation can be driven over until crane is assembled.

Other installation heights and projections available on request.

Order No.	Load-carrying capacity kg	Projection mm	Lift m/min.	Chain hoist	B mm	CH mm	HÖ mm	b mm	t mm	MF kNm	NF kN	Weight kg
LSX0125/2	125	2000	8/2	TGM2-125.8	2825	383	2217	800	800	4.2	4	261
LSX0125/3	125	3000	8/2	TGM2-125.8	2825	383	2217	1000	800	6.3	4.1	281
LSX0125/4	125	4000	8/2	TGM2-125.8	2890	383	2217	1100	800	9.3	5	385
LSX0125/5	125	5000	8/2	TGM2-125.8	2890	383	2217	1200	800	12	5.2	406
LSX0125/6	125	6000	8/2	TGM2-125.8	2950	383	2217	1400	800	17	7.3	611
LSX0250/2	250	2000	8/2	TGM2-250.8	2825	383	2217	1000	800	7	5.2	265
LSX0250/3	250	3000	8/2	TGM2-250.8	2825	383	2217	1200	800	10.9	6	362
LSX0250/4	250	4000	8/2	TGM2-250.8	2890	383	2217	1300	800	14.7	6.3	393
LSX0250/5	250	5000	8/2	TGM2-250.8	2950	383	2217	1400	800	20.2	8.3	581
LSX0250/6	250	6000	8/2	TGM2-250.8	2950	383	2217	1500	800	25	8.6	612
LSX0500/2	500	2000	4/1	TGM2-500.4	2890	469	2131	1200	800	13.3	8.4	362
LSX0500/3	500	3000	4/1	TGM2-500.4	2890	469	2131	1400	800	19.5	8.6	382
LSX0500/4	500	4000	4/1	TGM2-500.4	2950	469	2131	1600	800	27.1	10.5	570

Prices including electric chain hoist and anchoring material for attaching to foundation.

Electrical zero gravity balancer **KROMATIC®**

- Electronically controlled balancer with automatic load recognition.
- Triggering the lifting movement through lightly pressing the load up and down.
- High movement speed up to 30 m/min.
- Load hooks with quick-change coupling available.
- Simple attachment of special grippers possible.
- Only requires one 230-volt connection.
- Loads up to 60 kg.
- Infinitely adjustable drive.
- EMERGENCY STOP circuit.
- External inputs/outputs.
- Control behavior can be adapted to the user.
- Optional external changeover of the travel profile.
- Adjustable work stops.
- Integration in customer control system.
- Direct display of the load (9200).

KROMATIC® is always the first choice if changing loads need to be positioned infinitely variably and precisely. This intelligent assistant supports load handling in an effective manner. It includes many advantages all combined in a single device. This electric balancer effortlessly handles up to 60 kg of workpieces of various weights. Applications such as placing workpieces in machining equipment can be implemented easily, just as complex assemblies can be put together with accurate positioning. During this the **KROMATIC®** adjusts automatically to the weight of the load to be hoisted in a matter of seconds.

Diverse applications:

Hundreds of **KROMATIC®**'s around the world assist users handle loads easily and precisely. We cannot even name a typical application area for the **KROMATIC®**; the possibilities are so diverse.

However, here is a small overview of the areas of application:

- Automotive industry: e.g. cockpit assembly.
- Automotive industry: Assembly of windshields.
- Supplier industry: Preassembly of tanks.
- Production: e.g., equipping tool machines.
- Warehouse, shipping: Goods picking.
- Roof tile manufacturers: Changing the dies.
- Vehicle manufacturers: Handling rims.

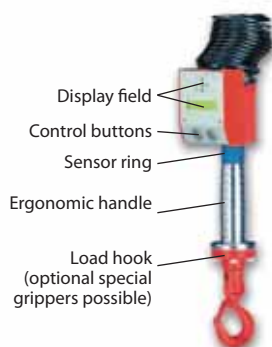


KROMATIC®
designed to move

The technology:

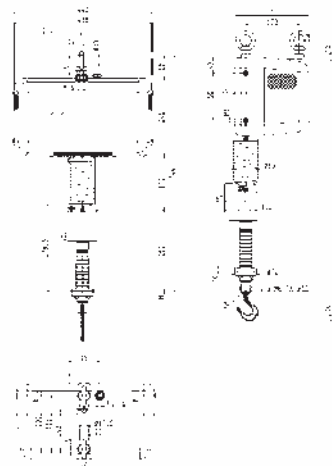


Control unit 9100



Control unit 9200

- Display field
- Control buttons
- Sensor ring
- Ergonomic handle
- Load hook (optional special grippers possible)



Jumbo vacuum hose lifter

Versatile hoisting and movement with just one medium.



The "Jumbo" vacuum hose lifter is particularly suitable for frequent and rapid lifting and moving of boxes, bags, barrels, wooden panels, and many other applications up to 300 kg in weight. The holding and lifting operation is achieved exclusively via a vacuum. Neither chains, wire ropes, manipulators, or lifting cylinders are necessary to grasp and securely raise the load. Suitable crane installations complete the system solution that is coordinated to the individual application.

Functionality:

- Gripping and lifting are achieved using a vacuum.
- The modular system consisting of variable, combinable basic components allows the equipment to be adapted to individual requirements.

Security:

- The quick-reacting check valve and large suction gripper surface prevent the load from dropping – even in the event of a power failure or a loss of compressed air.

- The design complies with the accident prevention regulations in accordance with BGR/BGV 500.

Ergonomics:

- Non-harmful working procedures through consideration of the latest ergonomic findings.



Jumbo-Flex with two-sided suction gripper

For clamped, glued, strapped, or open cartons, enclosures, etc.



Jumbo-Sprint with sack suction gripper

For paper and plastic bags, raw rubber balls, welded parcels, etc.



Jumbo-Ergo with quadruple suction gripper

For cartons, plates, and flexible parts, etc.



Jumbo-Ergo with two-sided suction gripper FM

For layers, pallets, plates with holes, aluminum profiles, etc.

VacuMaster vacuum lifters

The groundbreaking generation of vacuum lifters!



VacuMaster vacuum lifters are ideal for handling sheet metal, windowpanes, wood and concrete panels, and other materials weighing up to 2000 kg. Gripping is performed by the VacuMaster. The load can be hoisted and moved safely with the help of a crane. Robustness and reliability are the main features of this product series.

Suitable crane installations complete the system solution that is coordinated to the individual application.



VacuMaster Basic/Comfort

Vacuum lifters with a high degree of variability.

- Individual adaptation of the equipment thanks to the compact, modular design.
- Ergonomic control handle.
- Safety is ensured via the electronic warning apparatus and check valve.
- Optionally available with 90° tilting and 180° rotating function.
- VacuMaster Comfort with ergonomically integrated control at the push of a button, with chain hoist included in delivery.

VacuMaster Eco

Self-priming vacuum lifter for all smooth, hermetically sealed workpieces.

- No power supply necessary.
- No installation costs.
- Ideal for changing locations.
- Safety ensured via acoustic warning apparatus with battery test function.
- Ergonomic control handle with integrated bracket for chain hoist control element.

Aluminum crane systems

Extremely ergonomic thanks to perfect smooth running properties!

Your advantages at a glance:

- Broad range of single-carrier, dual-carrier, and single-rail crane systems.
- Optimal ergonomics as a result of perfect, smooth movement.
- Simple installation thanks to innovative accessories.
- Inexpensive solution provided by the modular system.
- Weight-optimized aluminum profile (from 3 kg per running meter).
- Minimum delivery times for crane systems.
- High reliability through the use of ultra-modern materials.
- Loads up to 660 kg can be handled.
- Tested safety.



A suitable crane completes the vacuum lifting system that is coordinated with your application. In addition to the column- and wall-mounted jib crane, the aluminum crane system and the vacuum lifting system make an uncompromising unit.



Large crane profile range

- Different crane profiles (SRA 100, 105, 140, and 180) enable a weight-, load-, and cost-effective layout of the crane system.
- Depending on requirements, lengths up to 8 m can be manufactured.



Unique running gears

- Use of an ultra-modern technical plastic for smooth running and weight savings.
- Loads depending on design – up to 750 kg for each running gear unit.



High-quality chain hoists

- High degree of safety thanks to low voltage in the control element.
- High service life through stroke limit stop.
- Precise, workpiece-friendly positioning provided by 2-stage speed control.



Jib cranes

- Versatile, smooth-running cranes are available as wall- and column-mounted jib crane.
- Maximum load-carrying capacity 650 kg.
- Maximum arm length 6 m.

Aluminum crane systems

Load-carrying capacity up to 1500 kg.

Advantages of the aluminum crane systems:

- Perfect, smooth movement due to intelligent profile geometry.
- Optimal ergonomics due to low dead weight of the profiles.
- No tilting of the crane bridges possible.
- Highest possible flexibility through exterior grooves (compatible with item).
- 5 crane profiles, in combination with reinforcement profile 8 different combinations possible.
- One running gear size for all profiles.
- Compact height and approach dimensions.
- GS quality seal, safety factor of 4 for all load-carrying components.
- **Delivery times for complete crane systems up to 5 workdays.**
- **Delivery times for replacement parts up to 24 hours.**



Leaving technical changes!

Versions of the aluminum crane system



Monorail (ESB)

The simplest option for straight line transport.



Duorail (ZSB)

Large support spacings, low hall impact, and a high hook position are enabled.



Single-carrier crane (ETK)

The ETK enables an optimum comprehensive option for material transport, with simple operation.



Single-carrier crane, raised (ETKA)

The ETKA is characterized by a very low installation height and optimum utilization of the room height.



Dual-carrier crane (ZTK)

The solution for the comprehensive transport of large loads.



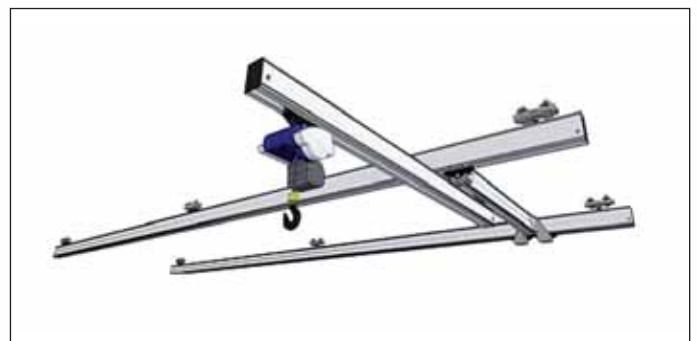
Dual-carrier crane, raised (ZTKA)

The ZTKA combines the advantages of a raised system with that of the dual-carrier crane.



Curved track (EKB)

The curved segments are suitable as practical supplements.



Single-carrier crane, raised telescopic (ETKA)

The ETKAT with the telescopic bridge can access hall areas previously not usable for a crane.