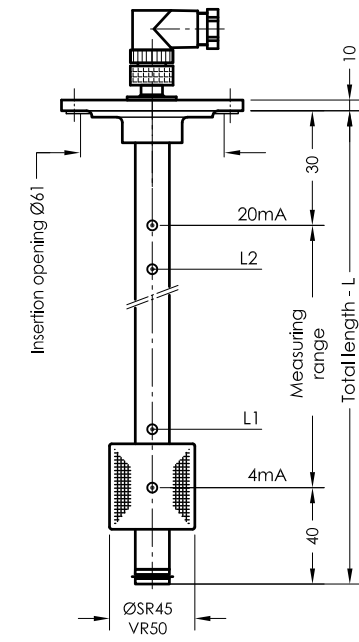


# NR 85 - MA - L1 - L2

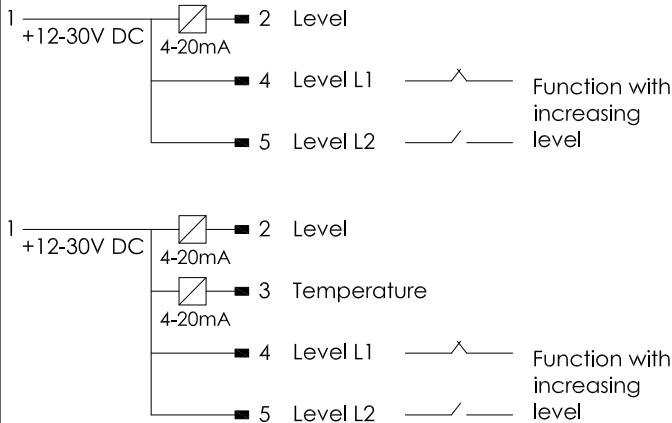
Level - temperature controller with resistance measuring chain and resistance thermometer, output 4-20 mA

serial No. Date  
MA-GB- 308/1 08/17

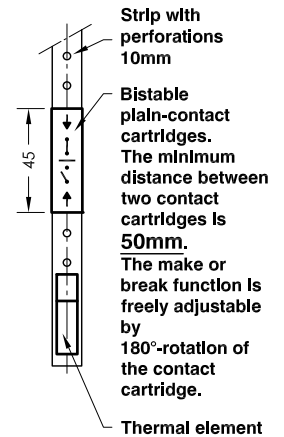


Pin assignment

### Plug securing



### Level contact -03-



### Specimen order

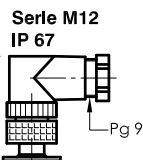
**NR 85-MA-SR45-L440-01-T-0-MS-L1/400/S-L2/60/Ö-M12**

MA = with protective tube  
MAS = without protective tube

Float type  
SR45  
VR50

Total length-L  
switching tube (mm)  
Standard length  
L=250 L=800  
L=370 L=1000  
L=500 L=1200

Level contact type  
01 = fixed, plain  
03 = adjustable, plain



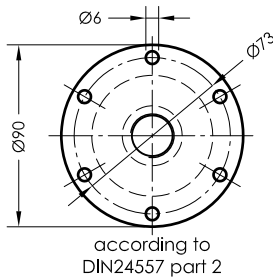
Plug socket connector  
DIN 43651  
M12

Switching point L1-L2/  
mm from sealing edge  
Ö = break  
S = make  
Function with  
increasing level

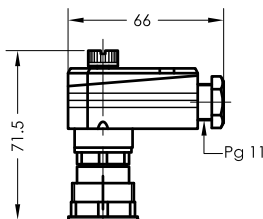
Execution  
MS = Brass  
VA = Flange,  
Protective tube,  
Switching tube  
and float  
stainless steel

0 = combined  
1 = separate

T = temperature  
O = without temperature



DIN 43651  
(EN 175201-804)  
6+PE  
IP 65



Connector variants

Order code

## Description

The level temperature regulator, type NR 85 - MA designed for container installation, is a contact less electromagnetic switch serving for continuous teletransmission of liquid levels and temperature.

Via cables of any length, level and temperature can be continuously evaluated for automatic control and display.

The level controller contains a resistance measuring chain and a Pt100 resistor.

The level and temperature dependent signal is converted in the integrated measuring transducer into a linear current change of 4-20 mA.

The level controller is maintenance-free when nondeposit media are used.

Optionally bistable level contacts can be insert additionally.

The device must only be installed by specialists.

Max. viscosity SR 45 - 320mm<sup>2</sup>/S  
VR 50 - 320mm<sup>2</sup>/S

## Technical data

Protective tube  
Switching tube

Stainless steel  
Brass / Stainless steel  
max. L 2000mm

Connection flange

Polyamide / Stainless steel  
with flat seal

Nominal pressure

1 bar max. - float Hard-PU SR45  
10 bar max. - flange + float VR50  
stainless steel

Level contacts

bistable make / break  
optional fixed or adjustable  
0,5A - 10W - 230V AC / DC

Switching potential

100°C max.

Temperature of medium

Operating voltage

12V ... 30V DC

Measuring range

4-20 mA = 0-100 °C

Switching potential

10W / VA

Thermal element

Pt100

Contact pitch

7,5 mm

Load

RB =  $\frac{U-12V}{20mA}$

Mounting position

vertical ± 30°

Other temperature ranges on request

Technical data



**GOLDAMMER**  
REGELUNGSTECHNIK GMBH

SCHÖLLERSHEIDER STR. 15 PHONE (49) 2104/12093  
P.O.BOX 10 02 17 FAX (49) 2104/12028  
D-40802 METTMANN www.Goldammer-Regelungstechnik.com