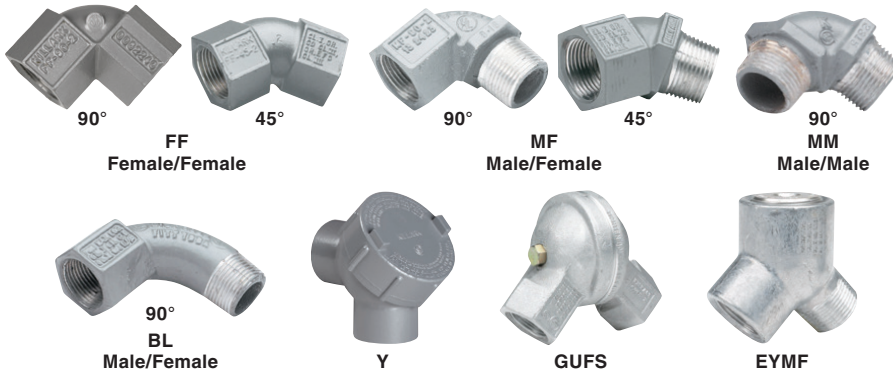


FITTINGS

FF/MF/MM/BL/GUFS/Y/EYMF SERIES



ELBOWS



Class I, Div. 1 & 2, Groups C, D
Class II, Div. 1 & 2, Groups E, F, G
Class III

UL LISTED - File E10514

SP Certified - File LR11716

FM APPROVED File 25215
See files for details or call Killark.

FEATURES-SPECIFICATIONS

Applications

- Elbows: To change direction in rigid or IMC conduit systems
- Capped Elbows: To change direction 90° in rigid or IMC conduit systems where space is limited and access is needed for pulling conductors or maintenance
- Swivel Elbows: Allows conduit to be joined at angles ranging between 90° to 180°. A screwdriver is the only tool needed
- 90° Plugged Elbows: To change direction 90° in rigid or IMC conduit systems where space is limited and access is needed for pulling conductors or maintenance

Features

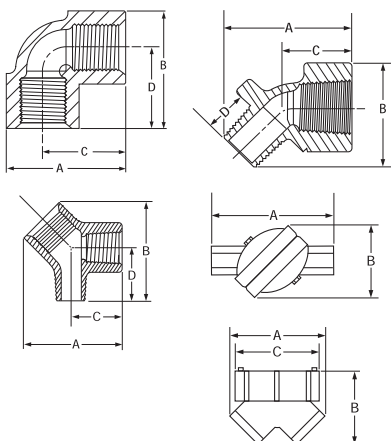
- Threaded for rigid conduit or IMC
- Smooth integral bushings to prevent damage to wires

Material/Finish

Copper-free Aluminum
(less than 4/10 of 1%)

- Electrostatically applied powder coating

Iron Zinc electro-plate



ELBOWS							
CATALOG NUMBER		HUB SIZE	TYPE	A	B	C	D
ALUMINUM	IRON						
FF-90-1①	FF-90-1M③	1/2"	FF 90°	2"	2"	1-3/8"	1-3/8"
FF-90-2①	FF-90-2M③	3/4"	FF 90°	2-1/4"	2-1/4"	1-1/2"	1-1/2"
FF-90-3①	FF-90-3M③	1"	FF 90°	2-15/16"	2-15/16"	2"	2"
FF-45-1①	FF-45-1M③	1/2"	FF 45°	2-3/8"	2"	1-1/8"	—
FF-45-2①	FF-45-2M③	3/4"	FF 45°	2-11/16"	2-3/16"	1-1/4"	—
FF-45-3①	FF-45-3M③	1"	FF 45°	3-3/8"	2-11/16"	1-5/8"	—
FF-45-6①	FF-45-6M③	2"	FF 45°	4-3/4"	3-7/8"	2-1/4"	—
FF-45-8①	FF-45-8M③	3"	FF 45°	5-1/4"	5-17/64"	2-17/64"	—
MF-90-1①	MF-90-1M③	1/2"	MF 90°	2-7/32"	2"	1-3/8"	1-1/16"
MF-90-2①	MF-90-2M③	3/4"	MF 90°	2-1/2"	2-1/4"	1-1/2"	1-1/16"
MF-45-1①	MF-45-1M③	1/2"	MF 45°	2-35/64"	1-55/64"	1-1/8"	1-1/16"
MF-45-2①	MF-45-2M③	3/4"	MF 45°	2-3/4"	2"	1-9/32"	1-1/16"
MM-90-1①	MM-90-1M③	1/2"	MM 90°	2-15/32"	2-15/32"	1-49/64"	1-1/16"
MM-90-2①	MM-90-2M③	3/4"	MM 90°	2-5/8"	2-5/8"	1-57/64"	1-1/16"
BL-90-1①	BL-90-1M③	1/2"	BL 90°	2-1/4"	2-3/8"	1-7/8"	1-3/4"
BL-90-2①	BL-90-2M③	3/4"	BL 90°	2-5/8"	3"	2-1/8"	2-1/4"
BL-90-3①	BL-90-3M③	1"	BL 90°	2-1/4"	3-7/16"	2-5/8"	2-1/2"

CAPPED ELBOWS							
CATALOG NUMBER		HUB SIZE	TYPE	A	B	C	D
ALUMINUM	IRON						
Y-1①	Y-1M④	1/2"	90°	2-7/8"	2-3/4"	1-7/8"	—
Y-2①	Y-2M④	3/4"	90°	3-1/16"	3-3/4"	2-1/8"	—
Y-3①	Y-3M④	1"	90°	4"	3-1/4"	2-5/8"	—
Y-4①	Y-4M④	1-1/4"	90°	5-1/16"	4-1/8"	3-7/8"	—
Y-5①	Y-5M④	1-1/2"	90°	5-1/16"	4-1/4"	3-7/8"	—

SWIVEL ELBOWS							
CATALOG NUMBER		HUB SIZE	TYPE	A	B	C	D
ALUMINUM	IRON						
GUFS-1②	GUFS-1M③	1/2"	180°	4-1/2"	2-1/4"	—	—
GUFS-2②	GUFS-2M③	3/4"	180°	4-1/2"	2-1/4"	—	—
GUMFS-1②	GUMFS-1M③	1/2"	180°	5-1/8"	2-1/4"	—	—
GUMFS-2②	GUMFS-2M③	3/4"	180°	5-1/4"	2-1/4"	—	—

90° PLUGGED ELBOWS							
CATALOG NUMBER		HUB SIZE	TYPE	A	B	C	D
ALUMINUM	IRON						
EYMF-1②	—	1/2"	90°	2-5/8"	2-5/8"	1-3/8"	1-3/8"
EYMF-2②	—	3/4"	90°	2-3/4"	2-3/4"	1-1/2"	1-1/2"

- ① Copper-free aluminum - Electrostatically applied powder coating
- ② Aluminum - Natural finish
- ③ Iron - Zinc electroplate
- ④ Iron - Duraloy finish
- ⑤ Furnished with 1" close-up plug in top.

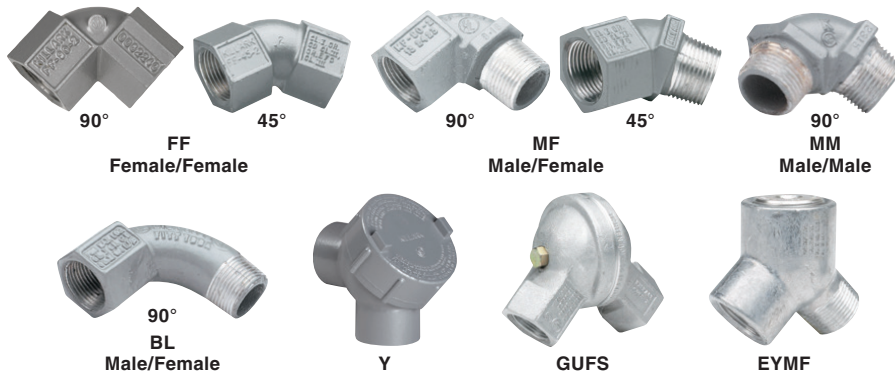
For ATEX and IEC Ex certified Elbows, see following page.



FF/MF/MM/BL/GUFS/Y/EYMF SERIES

KILLARK

ELBOWS – ATEX/IEC Ex CERTIFIED



Global Listings

ATEX / IEC Ex Certified

File nos. CML 16ATEX 1325X

IECEx QPS16.0012X

Ⓢ I2GD

Ex db IIC Gb or Ex db IIB Gb

Ex tb IIIC Db IP65/IP66

UL LISTED File No. E 10514

SP Certified File No. LR11716



Class I, Div. 1 & 2, Groups C, D
Class II, Div. 1 & 2, Groups E, F, G
Class III

FEATURES-SPECIFICATIONS

Applications

- Elbows: To change direction in rigid or IMC conduit systems
- Capped Elbows: To change direction 90° in rigid or IMC conduit systems where space is limited and access is needed for pulling conductors or maintenance
- Swivel Elbows: Allows conduit to be joined at angles ranging between 90° to 180°. A screwdriver is the only tool needed
- 90° Plugged Elbows: To change direction 90° in rigid or IMC conduit systems where space is limited and access is needed for pulling conductors or maintenance

Features

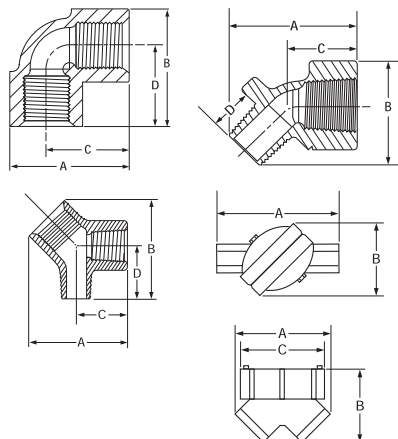
- Threaded for rigid conduit or IMC
- Smooth integral bushings to prevent damage to wires

Material/Finish

Copper-free Aluminum
 (less than 4/10 of 1%)

- Electrostatically applied powder coating

Iron Zinc electro-plate



ELBOWS - QUAD LISTED							
CATALOG NUMBER		HUB SIZE	TYPE	A	B	C	D
ALUMINUM	IRON						
FF-90-1-EXⓈ	FF-90-1M-EXⓈ	1/2"	FF 90°	2"	2"	1-3/8"	1-3/8"
FF-90-2-EXⓈ	FF-90-2M-EXⓈ	3/4"	FF 90°	2-1/4"	2-1/4"	1-1/2"	1-1/2"
FF-90-3-EXⓈ	FF-90-3M-EXⓈ	1"	FF 90°	2-15/16"	2-15/16"	2"	2"
FF-45-1-EXⓈ	FF-45-1M-EXⓈ	1/2"	FF 45°	2-3/8"	2"	1-1/8"	—
FF-45-2-EXⓈ	FF-45-2M-EXⓈ	3/4"	FF 45°	2-11/16"	2-3/16"	1-1/4"	—
FF-45-3-EXⓈ	FF-45-3M-EXⓈ	1"	FF 45°	3-3/8"	2-11/16"	1-5/8"	—
FF-45-6-EXⓈ	FF-45-6M-EXⓈ	2"	FF 45°	4-3/4"	3-7/8"	2-1/4"	—
FF-45-8-EXⓈ	FF-45-8M-EXⓈ	3"	FF 45°	5-1/4"	5-17/64"	2-17/64"	—
MF-90-1-EXⓈ	MF-90-1M-EXⓈ	1/2"	MF 90°	2-7/32"	2"	1-3/8"	1-1/16"
MF-90-2-EXⓈ	MF-90-2M-EXⓈ	3/4"	MF 90°	2-1/2"	2-1/4"	1-1/2"	1-1/16"
MF-45-1-EXⓈ	MF-45-1M-EXⓈ	1/2"	MF 45°	2-35/64"	1-55/64"	1-1/8"	1-1/16"
MF-45-2-EXⓈ	MF-45-2M-EXⓈ	3/4"	MF 45°	2-3/4"	2"	1-9/32"	1-1/16"
MM-90-1-EXⓈ	MM-90-1M-EXⓈ	1/2"	MM 90°	2-15/32"	2-15/32"	1-49/64"	1-1/16"
MM-90-2-EXⓈ	MM-90-2M-EXⓈ	3/4"	MM 90°	2-5/8"	2-5/8"	1-57/64"	1-1/16"
BL-90-1-EXⓈ	BL-90-1M-EXⓈ	1/2"	BL 90°	2-1/4"	2-3/8"	1-7/8"	1-3/4"
BL-90-2-EXⓈ	BL-90-2M-EXⓈ	3/4"	BL 90°	2-5/8"	3"	2-1/8"	2-1/4"
BL-90-3-EXⓈ	BL-90-3M-EXⓈ	1"	BL 90°	2-1/4"	3-7/16"	2-5/8"	2-1/2"

CAPPED ELBOWS							
CATALOG NUMBER		HUB SIZE	TYPE	A	B	C	D
ALUMINUM	IRON						
Y-1-EXⓈ	Y-1M-EXⓈ	1/2"	90°	2-7/8"	2-3/4"	1-7/8"	—
Y-2-EXⓈ	Y-2M-EXⓈ	3/4"	90°	3-1/16"	3-3/4"	2-1/8"	—
Y-3-EXⓈ	Y-3M-EXⓈ	1"	90°	4"	3-1/4"	2-5/8"	—
Y-4-EXⓈ	Y-4M-EXⓈ	1-1/4"	90°	5-1/16"	4-1/8"	3-7/8"	—
Y-5-EXⓈ	Y-5M-EXⓈ	1-1/2"	90°	5-1/16"	4-1/4"	3-7/8"	—

SWIVEL ELBOWS							
CATALOG NUMBER		HUB SIZE	TYPE	A	B	C	D
ALUMINUM	IRON						
GUFS-1-EXⓈ	GUFS-1M-EXⓈ	1/2"	180°	4-1/2"	2-1/4"	—	—
GUFS-2-EXⓈ	GUFS-2M-EXⓈ	3/4"	180°	4-1/2"	2-1/4"	—	—
GUMFS-1-EXⓈ	GUMFS-1M-EXⓈ	1/2"	180°	5-1/8"	2-1/4"	—	—
GUMFS-2-EXⓈ	GUMFS-2M-EXⓈ	3/4"	180°	5-1/4"	2-1/4"	—	—

90° PLUGGED ELBOWS							
CATALOG NUMBER		HUB SIZE	TYPE	A	B	C	D
ALUMINUM	IRON						
EYMF-1-EXⓈ	—	1/2"	90°	2-5/8"	2-5/8"	1-3/8"	1-3/8"
EYMF-2-EXⓈ	—	3/4"	90°	2-3/4"	2-3/4"	1-1/2"	1-1/2"

Ⓢ Copper-free aluminum - Electrostatically applied powder coating

Ⓢ Aluminum - Natural finish

Ⓢ Iron - Zinc electroplate

Ⓢ Iron - Duraloy finish

Ⓢ Furnished with 1" close-up plug in top.