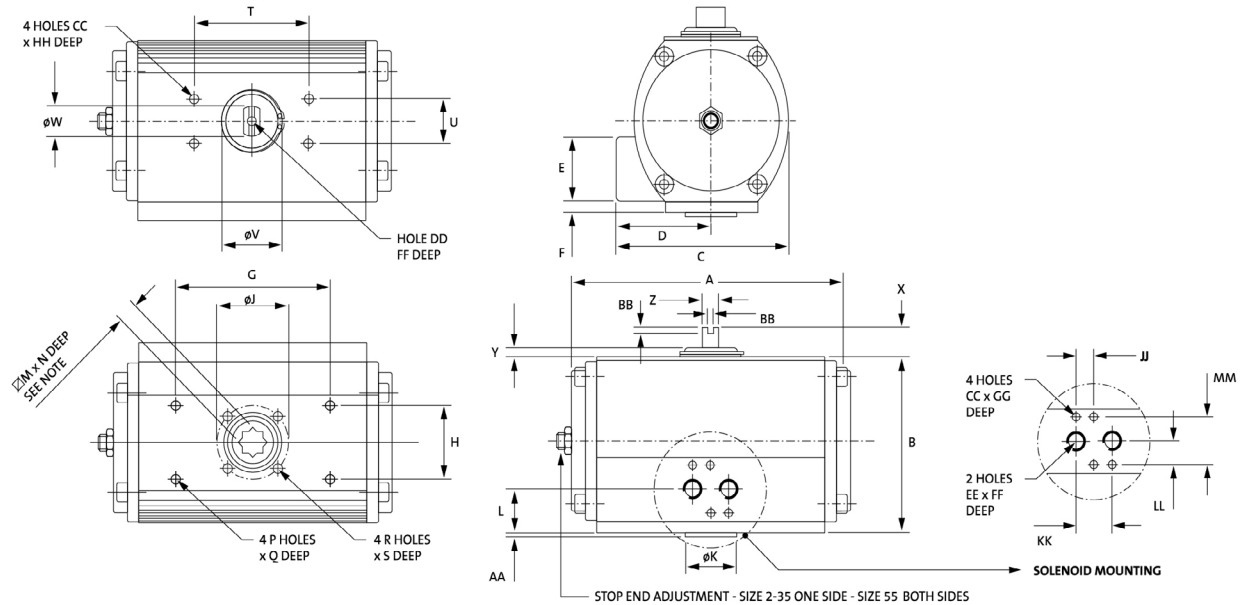




TruTorq Pneumatic Actuator Type C, Metric Size 2, 4, 8, 12, 20, 35 and 55

- Double acting (DA) and Spring Return (SR)
- Single End Stop Adjustment, open position



DIMENSIONS, METRIC (mm)

| Actuator size | ISO | A | B | C | D | E | F | G | H | ØJ | ØK | L | M | N | P | Q | R | S | T |
|---------------|---------|-------|-------|-------|------|------|------|-------|------|-------|------|------|------|------|----|------|-----|------|-------|
| TT 2 | F03 | 114.5 | 73.0 | 75.5 | 43.5 | 41.0 | --- | 73.0 | 32.0 | 36.0 | 25.0 | 20.5 | 9.0 | 10.0 | M5 | 8.0 | M5 | 8.0 | 80.0 |
| TT 4 | F04 | 133.0 | 90.5 | 87.5 | 47.5 | 41.0 | --- | 73.0 | 32.0 | 42.0 | 30.0 | 20.5 | 11.0 | 12.0 | M5 | 8.0 | M5 | 8.0 | 80.0 |
| TT 8 | F05/F07 | 162.0 | 109.0 | 105.0 | 57.0 | 42.0 | 7.5 | 73.0 | 32.0 | 50.0 | 35.0 | 28.5 | 14.0 | 16.0 | M6 | 10.0 | M6 | 10.0 | 80.0 |
| TT 12 | F07/F05 | 194.0 | 118.5 | 121.0 | 67.0 | 43.0 | 8.0 | 107.0 | 49.0 | 70.0 | 35.0 | 29.5 | 17.0 | 16.0 | M6 | 10.0 | M6 | 10.0 | 80.0 |
| TT 20 | F07/F10 | 218.0 | 140.5 | 136.5 | 72.0 | 43.0 | 8.0 | 107.0 | 49.0 | 70.0 | 55.0 | 29.5 | 17.0 | 19.0 | M6 | 10.0 | M8 | 13.0 | 80.0 |
| TT 35 | F10/F07 | 266.0 | 166.5 | 156.0 | 78.0 | 43.0 | 8.5 | 161.0 | 73.0 | 102.0 | 70.0 | 30.0 | 22.0 | 24.0 | M6 | 12.0 | M10 | 16.0 | 80.0 |
| TT 55 | F12 | 312.0 | 207.5 | 191.0 | 95.5 | 43.0 | 20.5 | 161.0 | 73.0 | 125.0 | 85.0 | 42.0 | 27.0 | 29.0 | M8 | 15.0 | M12 | 20.0 | 130.0 |

| Actuator size | ISO | U | ØV | ØW | X | Y | Z | AA | BB | CC | DD | EE | FF | GG | HH | JJ | KK | LL | MM |
|---------------|---------|------|------|------|------|-----|------|-----|-----|----|----|-------|------|-----|-----|------|------|------|------|
| TT 2 | F03 | 30.0 | 25.0 | 16.0 | 20.0 | 4.5 | 11.5 | 2.0 | 4.0 | M5 | M6 | G1/8" | 12.0 | 8.0 | 5.0 | 12.0 | 24.0 | 16.0 | 32.0 |
| TT 4 | F04 | 30.0 | 31.0 | 20.0 | 20.0 | 4.5 | 11.5 | 2.0 | 4.0 | M5 | M6 | G1/8" | 12.0 | 8.0 | 5.0 | 12.0 | 24.0 | 16.0 | 32.0 |
| TT 8 | F05/F07 | 30.0 | 35.0 | 20.0 | 20.0 | 5.0 | 11.5 | 3.0 | 4.0 | M5 | M6 | G1/8" | 12.0 | 8.0 | 5.0 | 12.0 | 24.0 | 16.0 | 32.0 |
| TT 12 | F07/F05 | 30.0 | 45.0 | 20.0 | 20.0 | 5.5 | 11.5 | 3.0 | 4.0 | M5 | M6 | G1/4" | 12.0 | 8.0 | 5.0 | 12.0 | 24.0 | 16.0 | 32.0 |
| TT 20 | F07/F10 | 30.0 | 50.0 | 32.0 | 20.0 | 6.5 | 19.0 | 3.0 | 4.0 | M5 | M6 | G1/4" | 12.0 | 8.0 | 5.0 | 12.0 | 24.0 | 16.0 | 32.0 |
| TT 35 | F10/F07 | 30.0 | 61.0 | 32.0 | 20.0 | 7.0 | 19.0 | 3.0 | 4.0 | M5 | M6 | G1/4" | 12.0 | 8.0 | 5.0 | 12.0 | 24.0 | 16.0 | 32.0 |
| TT 55 | F12 | 30.0 | 61.0 | 40.0 | 30.0 | 7.5 | 25.4 | 3.0 | 4.0 | M5 | M6 | G1/4" | 12.0 | 8.0 | 5.0 | 12.0 | 24.0 | 16.0 | 32.0 |



**TruTorq Pneumatic Actuator Type C, Metric
Size 2, 4, 8, 12, 20, 35 and 55**

TORQUE

| Actuator Size | Air Supply | DA Torque | SR Torque (Nm) | | | | |
|---------------|------------|-----------|----------------|-----------|----------------|--------------|------------|
| | BAR | Nm | Air - Start | Air - End | Spring - Start | Spring - End | Spring Qty |
| TT 2 | 6 | 20 | 13 | 7 | 13 | 7 | 4+4 |
| TT 4 | 6 | 41 | 27 | 15 | 26 | 14 | 4+4 |
| TT 8 | 6 | 90 | 58 | 32 | 57 | 31 | 4+4 |
| TT 12 | 6 | 122 | 79 | 44 | 78 | 43 | 4+4 |
| TT 20 | 6 | 202 | 130 | 71 | 130 | 71 | 4+4 |
| TT 35 | 6 | 374 | 241 | 133 | 241 | 132 | 4+4 |
| TT 55 | 6 | 597 | 385 | 212 | 384 | 211 | 4+4 |

OPERATING DETAILS

| Actuator Size | Operating time (sec) | | | | Air consumption (litre) | | Overall weight (kg) | |
|---------------|----------------------|----------|---------|----------|-------------------------|-------|---------------------|------|
| | DA Open | DA Close | SR Open | SR Close | Open | Close | DA | SR |
| TT 2 | <1 | <1 | <1 | <1 | 0.09 | 0.12 | 1.0 | 1.1 |
| TT 4 | <1 | <1 | <1 | <1 | 0.18 | 0.24 | 1.8 | 1.9 |
| TT 8 | <1 | <1 | <1 | <1 | 0.34 | 0.41 | 3.1 | 3.4 |
| TT 12 | 1.5 | 1.5 | 1.5 | 1.0 | 0.49 | 0.64 | 4.1 | 4.7 |
| TT 20 | 2.0 | 2.0 | 2.0 | 1.5 | 0.90 | 1.00 | 6.3 | 7.0 |
| TT 35 | 2.5 | 2.5 | 2.5 | 2.0 | 1.69 | 1.90 | 10.5 | 12.0 |
| TT 55 | 3.5 | 3.5 | 3.5 | 3.0 | 2.80 | 3.40 | 18.2 | 20.6 |