



Pressure switch MDR 2



- Single phase
- Switching capacity 2.2 kW
- Max. cut-out pressure 12 bar
- 2-pole (N.C.)
- Acc. to EN 60947

Order reference	Type code	ON / OFF Rotary knob	Pressure range P _{OFF} in bar	Flange	Weight (in g)	Part No.
MDR 2/6-EA	MDR-2 DBA AAAAA 015A030 XAA XXX	EA	1,5 - 7	1/4"	300	212164
MDR 2/11-EA	MDR-2 GBA AAAAA 070A090 XAA XXX	EA	4 - 12	1/4"	300	212171
MDR 2/11-EA	MDR-2 GEA AAAAA 070A090 XAA XXX	EA	4 - 12	F4 1/4"	320	212188
MDR 2/11-EA	MDR-2 GFA AAAAA 070A090 XAA XXX	EA	4 - 12	F4 3/8"	320	212195
MDR 2/11-EA	MDR-2 GDA AAAAA 070A090 XAA XXX	EA	4 - 12	F4 1/2"	320	212201
MDR 2/6	MDR-2 DBA BAAA 015A030 XAA XXX	-	1,5 - 7	1/4"	300	217381
MDR 2/11	MDR-2 GBA BAAA 070A090 XAA XXX	-	4 - 12	1/4"	300	217404
MDR 2/11	MDR-2 GEA BAAA 070A090 XAA XXX	-	4 - 12	F4 1/4"	320	219408
MDR 2/11	MDR-2 GFA BAAA 070A090 XAA XXX	-	4 - 12	F4 3/8"	320	226888
MDR 2/11	MDR-2 GDA BAAA 070A090 XAA XXX	-	4 - 12	F4 1/2"	320	226895

Unloader valves and cable glands for retrofitting, see accessories!

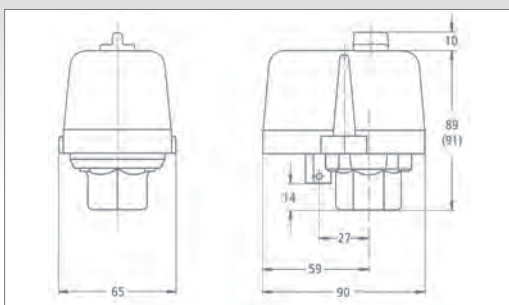
Technical Data MDR 2 acc. to 60947	
Rated insulation voltage U _i	500 V
Motor switching capacity (AC 3) U _e =240 V (1~)	2,2 kW
Electrical life (AC 3) Cycles	> 1 x 10 ⁵
Mechanical life Cycles	> 5 x 10 ⁵
Max. electrical cycles Cycles/h	120
Max. mechanical cycles Cycles/h	600
Rated operational current I _e at 240 V AC 3	16 A
Bursting strength P _z	> 35 bar
Permissible medium temperature Air	- 5...+ 80 °C

Technical Data MDR 2 acc. to 60947	
Permissible medium temperature Water	+ 80 °C
Degree of Protection acc. to EN 60529	IP 44
Conductor cross-section 1 .. fine stranded cable 1 x / 2 x	2,5 / 2,5 mm ²
Conductor cross-section 1 rigid cable 1 x / 2 x	2,5 / 2,5 mm ²

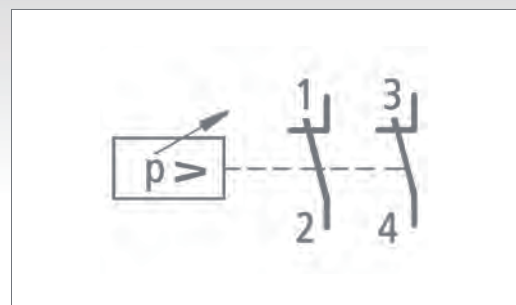
Diaphragm media resistance MDR 2	
Air, Water	resistant

A detailed overview of diaphragm media resistance for all pressure switches can be found on page 22..

Dimensions / Circuit Diagrams MDR 2



Pressure switch MDR-2



Accessories MDR 2

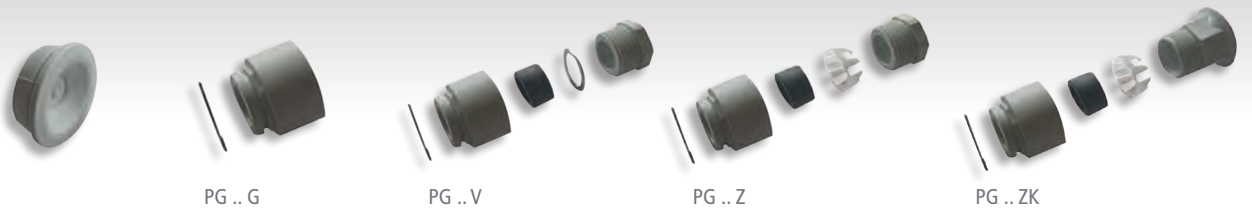
Order reference	Description	Weight (in g)	Part No
Unloader valves			
EV 2	With screw connection for 6 mm plastic or copper discharge tubes	25	200666
EV 2S*	With quick-connect for 6 mm plastic discharge tubes	25	200680
EV 2W	90° with screw connection for 6 mm plastic or discharge copper tubes	25	200697
EV 2Wi	90° with screw connection for 1/4" mm plastic or discharge copper tubes	15	200703
EV 2WS*	90° with quick-connect for 6 mm plastic discharge tubes	15	200710
Delayed unloader valves			
AEV 2	With screw connection for 6 mm plastic or copper discharge tubes	25	200727
AEV 2S*	With quick-connect for 6 mm plastic discharge tubes	25	200741
AEV 2W	90° with screw connection for 6 mm plastic or copper discharge tubes	15	200758
AEV 2Wi	90° with screw connection for 1/4" mm plastic or copper discharge tubes	15	200765
AEV 2WS*	90° with quick-connect for 6 mm plastic discharge tubes	15	200772
Cable glands			
WN	Grommet	6	200888
PG 11 G	Conduits for mounting of cable glands (Inner thread)	6	200895
PG 11 V	Cable gland complete	12	200901
PG 11 Z	With strain relief	12	200925
PG 11 ZK	With strain relief and cable support	12	200918
PG 13,5 G	Conduits for mounting of cable glands (Inner thread)	6	200963
PG 13,5 V	Cable gland complete	12	200932
PG 13,5 Z	With strain relief	12	200956
PG 13,5 ZK	With strain relief and cable support	12	200949
Cover			
H2 (Cover MDR 2)	Cover without On/Off lever (Neutral version without marking)	40	217510
H2-EA (Cover MDR 2+EA)	Cover with On/Off lever for manual On/Off (neutral version, without marking)	40	229445

*only for pneumatic tubes with outside tolerances according to e. g. Festo PAN 6x1mm

Unloader valves / Delayed unloader valves



Cable glands MDR 2



WN

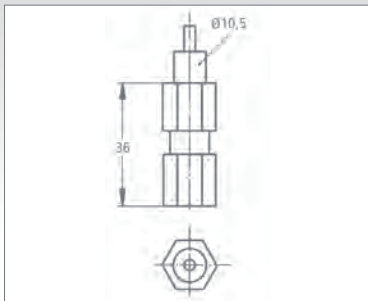
PG..G

PG..V

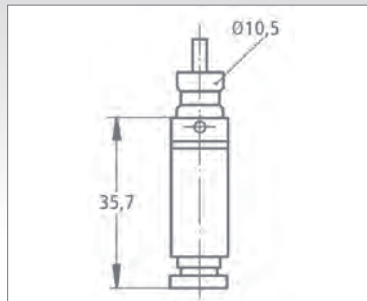
PG..Z

PG..ZK

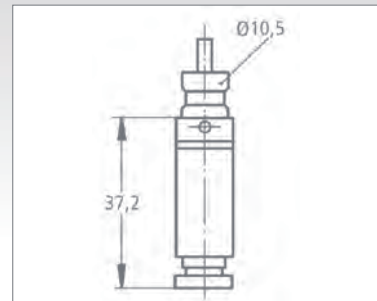
Dimensions, Accessories MDR 2



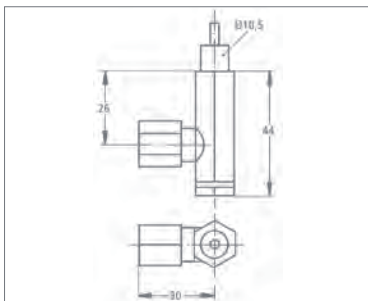
EV 2



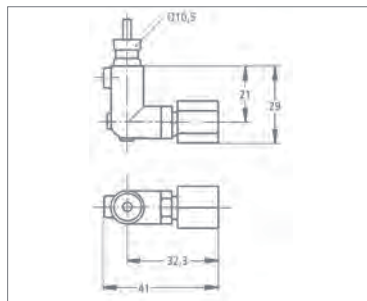
EV 2S



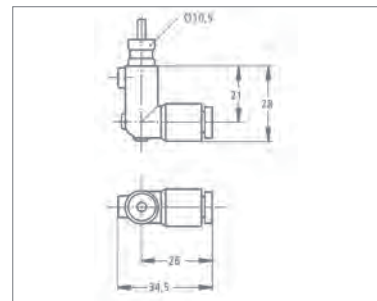
AEV 2S



AEV 2



EV 2W / EV 2Wi
AEV 2W / AEV 2Wi



EV 2WS /
AEV 2WS

Pressure Diagrams

