

SCM100 dc/dc LVDT DRIVER

The LVDT Signal Conditioning Module SCM100 has been specifically designed to operate with the AF111 and AF145 range of LVDT's, and to make using an LVDT as simple as using a linear potentiometer. This module incorporates a high performance circuit which drives the LVDT in a ratiometric configuration, thereby maximising system accuracy by eliminating effects caused by temperature and supply current variations.

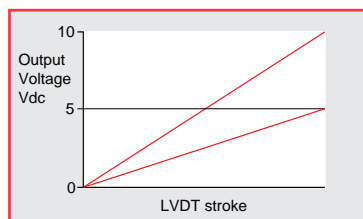
PERFORMANCE

Supply voltage	Vdc	18 - 30 (regulated) or ± 15 (regulated)
Supply current	mA	100 maximum
LVDT excitation voltage	Vrms	3 (nominal)
LVDT excitation frequency	Hz	2.5k (nominal)
Output voltage* (SCM100/V)		See output options on page 9 for full details
Output current (SCM100/I)		See output options on page 9 for full details
Output ripple	mVrms	<5
Output load	Ω	1k minimum (resistive) - voltage and current output
Frequency response	Hz	300 (-3dB)
Non-linearity		$\pm 0.05\%$ max (over 1% to 99% of stroke when used with AF111 or AF145 LVDT's)
Line regulation		<0.01% output span/Volt
Load regulation		<0.05% output span (minimum to maximum load)
Output adjustment range		
-null adjustment		$\pm 25\%$
-gain adjustment		$\pm 10\%$
Operational temperature	$^{\circ}\text{C}$	0 to +70
Storage temperature	$^{\circ}\text{C}$	-20 to +85
Temp. coefficient of output		<0.01% of span volts/ $^{\circ}\text{C}$
Transducer types		5 wire ratiometric LVDT only
Mechanical housing		Entrelec 11000 series (to suit DIN EN50022/EN50035 rails)
Weight maximum	g	100

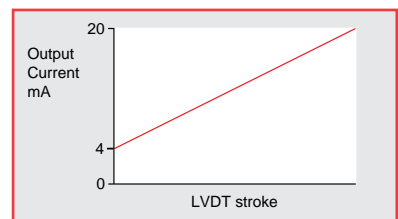
* When powered with a single rail supply, the output may not quite reach 0 Vdc. For this reason, linearity is specified for 1% to 99% of LVDT stroke.

OUTPUT CHARACTERISTICS

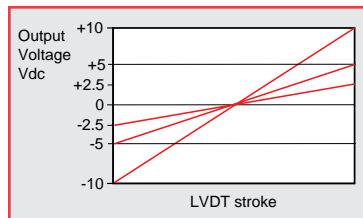
18 - 30Vdc supply



18 - 30Vdc or ± 15 Vdc supply



± 15 Vdc supply

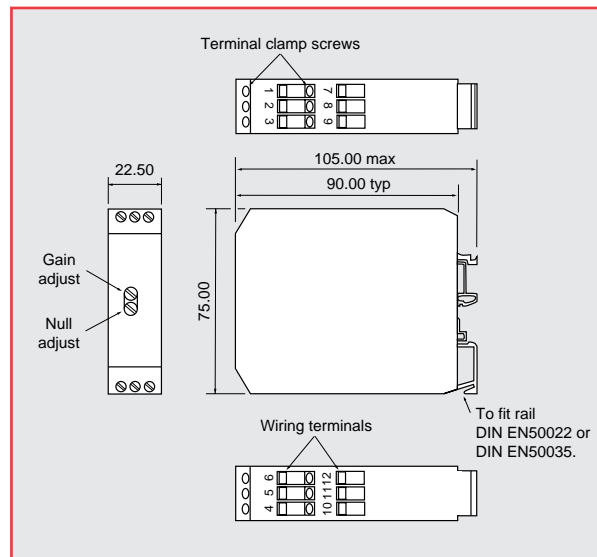


Note: This module is user configurable for input and output options. See set-up guide supplied with module for full instructions.

OUTPUT OPTIONS

Output option	Power supply option	
	18 - 30Vdc	±15Vdc
±2.5Vdc	N/A	✓
±5Vdc	N/A	✓
±10Vdc	N/A	✓
0 - 5Vdc	✓	✓
0 - 10Vdc	✓	✓
4 - 20mA (SCM100/I only)	✓	✓
Slope reversal	✓	✓

DIMENSIONS



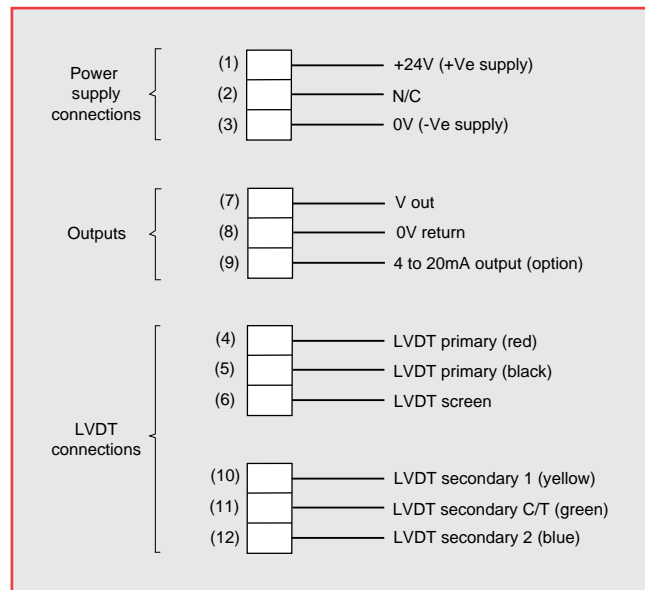
ELECTRICAL CONNECTIONS

Screw terminals

Note:

Refer to the SCM100 set-up guide for details on how to connect to a ±15Vdc (split rail) power supply.

Misconnection of the supply may cause permanent damage.



AVAILABILITY

Normally available from stock

ORDERING CODES

V = Voltage output
I = Current output

SCM100/.....

Penny+Giles

A Curtiss-Wright Company

www.pennyandgiles.com

Penny & Giles

Position sensors and joysticks for commercial and industrial applications.

15 Airfield Road
Christchurch
Dorset BH23 3TG
United Kingdom
+44 (0) 1202 409409
+44 (0) 1202 409475 Fax
sales@pennyandgiles.com

36 Nine Mile Point Industrial Estate
Cwmfelinfach
Gwent NP11 7HZ
United Kingdom
+44 (0) 1495 202000
+44 (0) 1495 202006 Fax
sales@pennyandgiles.com

12701 Schabarum Avenue
Irwindale CA 91706
USA
+1 626 337 0400
+1 626 337 0469 Fax
us.sales@pennyandgiles.com

Straussenlettenstr. 7b
85053 Ingolstadt,
Germany
+49 (0) 841 61000
+49 (0) 841 61300 Fax
info@penny-giles.de

The information contained in this brochure on product applications should be used by customers for guidance only. Penny & Giles Controls Ltd makes no warranty or representation in respect of product fitness or suitability for any particular design application, environment, or otherwise, except as may subsequently be agreed in a contract for the sale and purchase of products. Customer's should therefore satisfy themselves of the actual performance requirements and subsequently the products suitability for any particular design application and the environment in which the product is to be used.

Continual research and development may require change to products and specification without prior notification. All trademarks acknowledged.

© Penny+Giles Controls Ltd 2005

Innovation In Motion

**CURTISS
WRIGHT** Controls
Integrated Sensing

www.cwcontrols.com