

Measuring transducers

PQ 400 combined transducer for active and reactive power

The measuring transducers **PQ 400** are used for simultaneously measuring of active and reactive power in 3-phase systems.

There are types for 3-phase 3 wire unbalanced and for 3-phase 4 wire unbalanced load.

The transducers are connected to the mains directly or via measuring transformers. They have galvanic separation between in- and output and power supply.

The transducers are made for mounting in 19" rack and have a width of 10 TE, which gives place for 8 modules in a rack. The transducers are manufactured according to standard IEC688.

When measuring on equipment powered by frequency inverters with pulse width modulated (PWM) wave form, the transducer must be modified for this.

Order facts:

	Enclosed for mounting on profiled bar 35 EN 50022	19" rack module (wide 10 TE)
	Type	Type
3 phase 3 wire unbalanced load	PQ 400-09xx	PQ 400R-09xx
3 phase 4 wire unbalanced load	PQ 400-11xx	PQ 400R-11xx
Replace xx with last digits for output according to table below		
Output	External resistance load	Last digits xx
0 -5 or ± 5 mA	0-3000 Ω	1
0 -10 or ± 10 mA	0-1500 Ω	2
0 -20 or ± 20 mA	0- 750 Ω	3
4 -20 mA	0- 750 Ω	4
0 -10 or ± 10 V	> 700 Ω	5

Order form:

Combined active/reactive power transducer

Type	PQ 400-1144
Connection	11/0,11 kV, 500/5 A, 50 Hz
Ranges	0 - 10 MW, -5...0...+5 Mvar
Outputs	4-20 mA, 4-12-20 mA
Power supply	230 VAC
Case for DIN bar	

Technical data

Input

Voltage	any value between 60 and 500 V (rackversion 300 V)
Consumption (burden)	$U_{in} \times 1 \text{ mA}$, VA per phase
Current	any value between 0,5 and 5 A
Consumption (burden)	< 0,05 VA per phase
Permissible measuring range	any value between 0,75-1,3 x apparent power (other values on request)

Apparent power at 1 phase	$U_{in} \times I_{in}$
at 3 phase	$U_{in} \times I_{in} \times \sqrt{3}$

When measuring transformer is used calculate upon primary values for U_{in} and I_{in} . By measuring ranges in both directions, e.g. 10-0-100 MW, calculate the factor on the largest part, i.e. on 100 MW

Frequency	50 or 60 Hz
Overload	Current $2 \times I_{in}$ continuously $10 \times I_{in}$ during 15 s, $40 \times I_{in}$ during 1 s, but 200 A max Voltage $1,5 \times U_{in}$ continuously, $2 \times U_{in}$ during 10 s

Output

Output signal (span)	min 0-1 mA, max 0-20 mA
Standard ranges	0...5/10/20 mA, 4-20 mA
Load	max 15 V
Current limitation	< 30 mA
Voltage	0-10 V
Burden	> 700 Ω
Ripple	< 1% p.p.

PQ400-FA



PQ400-FB



General data

Accuracy	class 0,5 according to IEC 688 0,2 on request
Linearity error	< 0,1%
Response time 0-90%	< 80 ms
Temperature influence	< 0,1% / 10°C
Temperature range	-25...+60°C operation -40...+70°C storage
Test voltage	5,6 kV, 50 Hz, 1 min(rackversion 3,7 kV)
Power supply	24, 110, 230 VAC ±15%, 47-70 Hz, ca 4 VA 24-130 VDC ±20%, ca 4 W
Weight	0,6 kg

Options on request.

Standards

General standards for measuring transducers EN 60688, IEC688	
EMC	emission EN 50081-2 immunity EN 50082-2*)
Safety	IEC 61010-1, IEC 1010-1
Inputs	overvoltage cat. III
Outputs	overvoltage cat. II
Pollution degree	2

*) At certain frequencies can minor deviations from the class accuracy occur during the disturbance

Design

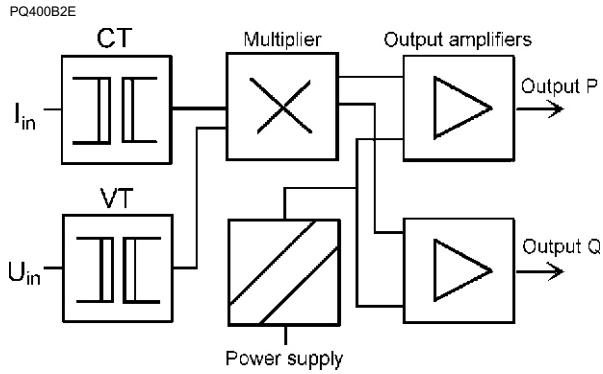
The transducer is operating with the principle of pulse duration modulation (TDM-principle). Transformers on the input take care of the isolation of the current and voltage inputs from the electronics and also transform the input signals to proper levels.

In the multiplier unit current and voltage signals are multiplied to form signals proportional to the active and reactive power. These signals are taken to two separate output amplifiers to get the wanted output signal and to reach the galvanic separation between the two output signals.

The power supply feeds the electronics and is in case of AC power galvanically isolated via a transformer. In case of DC power a switched unit is used which gives galvanic separation and covers the whole span 24-130 VDC.

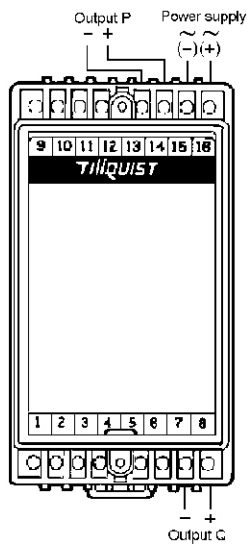
Connecting diagrams

(Same diagram for connecting to current- and/or voltagetransformers)



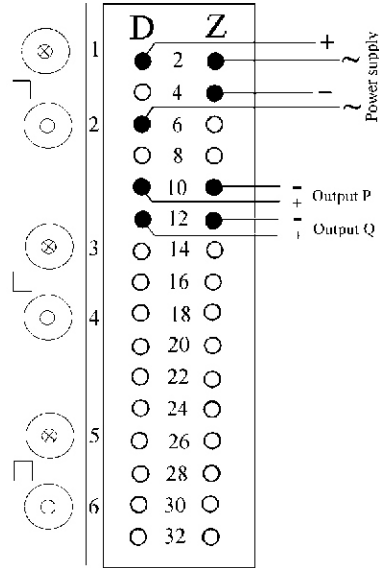
PQ 400

PQ400A2E
Case for mounting on DIN-bar

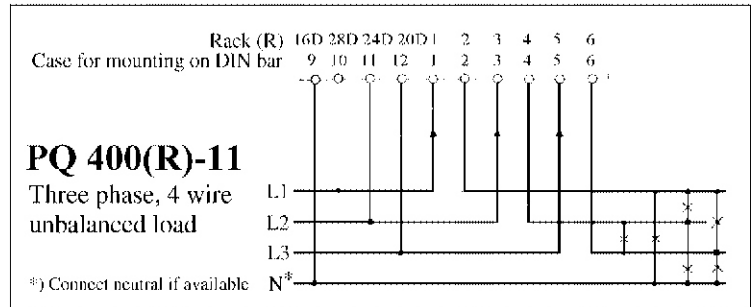
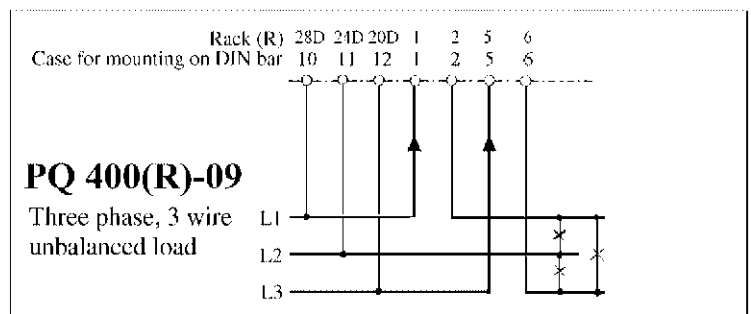


PQ 400R

PQ400R2E



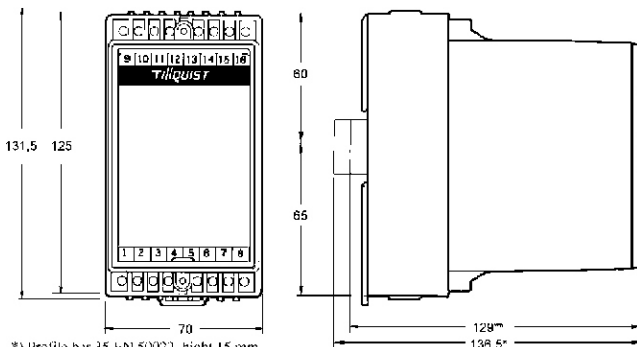
PQ4005E



Dimensions

PQ 400

PQ400ME



*) Profile bar 35 I-N 50022, height 15 mm
**) Profile bar 35 I-N 50022, height 7.5 mm

PQ 400R

PQ400RM

