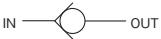
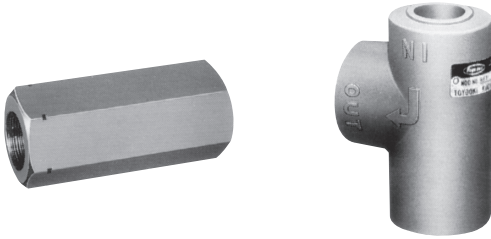


# CHECK VALVE (HK3)



**⚠ Cautions on use** Please read the Operating Manual carefully to ensure correct usage.

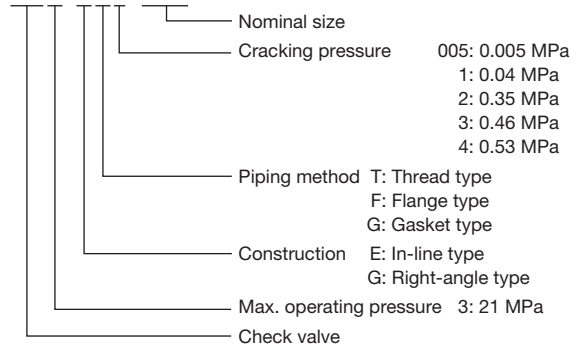
## Features

A check valve allows fluid flow in one direction only while maintaining the specified cracking pressure, and completely stops the flow in the reverse direction. These valves are classified into two types according to the body shape, namely the inline type and the right-angle type.

- If subplate SHK\*\*-\*T1(A) is necessary, please order one separately.
- For the gasket-connection type check valves, finish the mounting faces to the same quality as the valve faces (3.2 μmRz).

## Description of the model designation

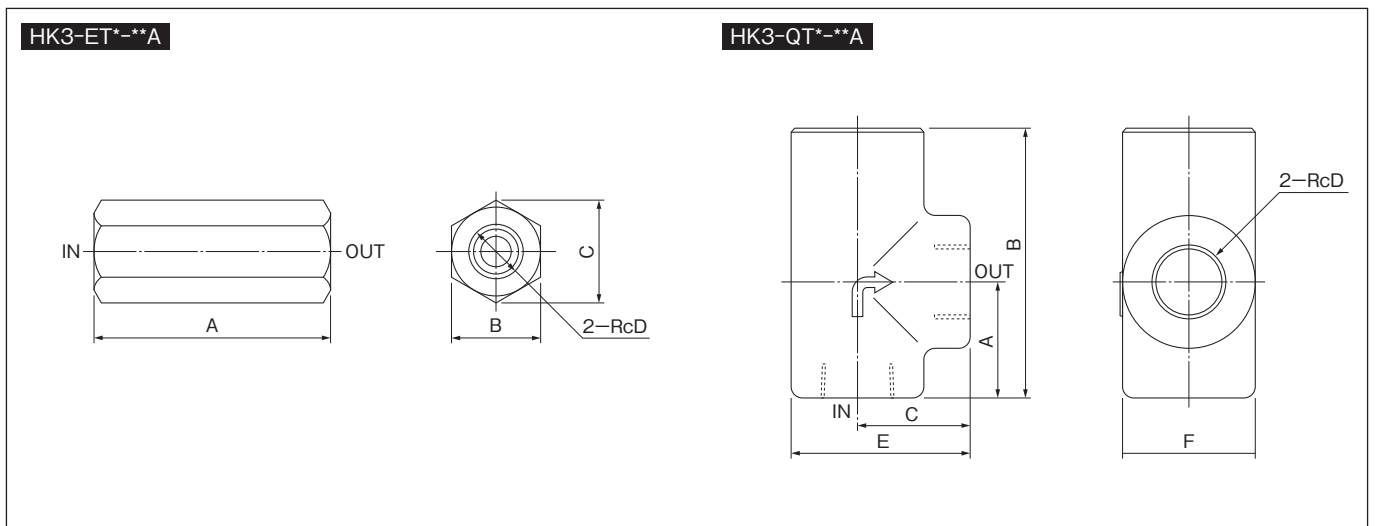
### HK3-ET1-02A



## Specifications

Nominal Size	Rated Flow (L/min)	Max. Operating Pressure (MPa)	Model			
			Inline Type Check Valve		Right-angle Type Check Valve	
			Thread-connection Type	Flange-connection Type	Thread-connection Type	Flange-connection Type
02	12	21	HK3-ET*-02A			HK3-QG*-02A
03	40		HK3-ET*-03A			HK3-QG*-03A
04	75		HK3-ET*-04A	HK3-EF*-04A		
06	120		HK3-ET*-06A	HK3-EF*-06A	HK3-QT*-06A	HK3-QG*-06A

## Outside dimensions



Unit: mm

Model	A	B	C	D	Mass (kg)
HK3-ET*-02A	56	22	25.4	1/4	0.2
HK3-ET*-03A	70	30	34.6	3/8	0.3
HK3-ET*-04A	85	32	37	1/2	0.5
HK3-ET*-06A	95	41	47.3	3/4	0.8

Unit: mm

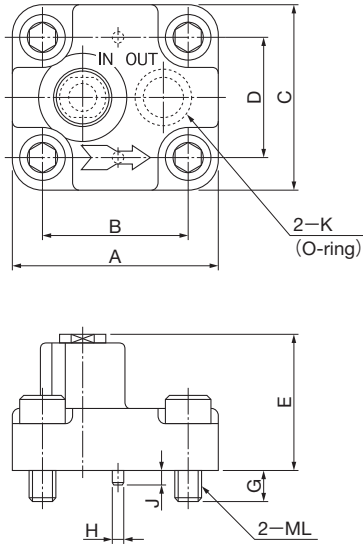
Model	A	B	C	D	E	Fφ	Mass (kg)
HK3-QT*-06A	45	103	46	3/4	71	50	1.5



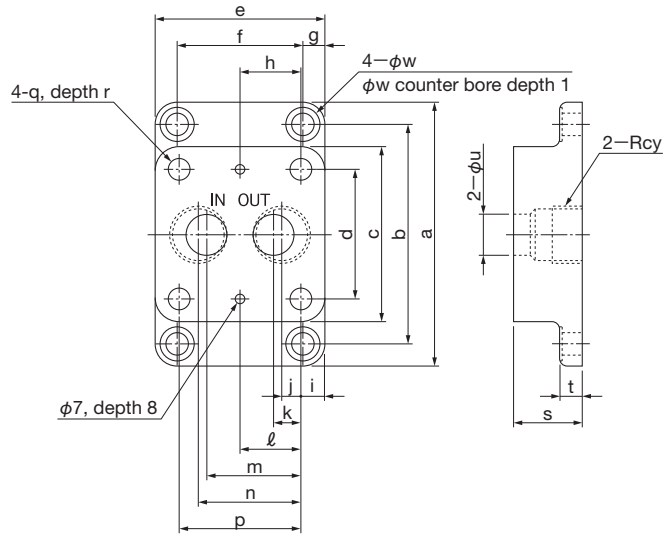
SOLENOID VALVES / DIRECTIONAL CONTROL VALVES

Outside dimensions

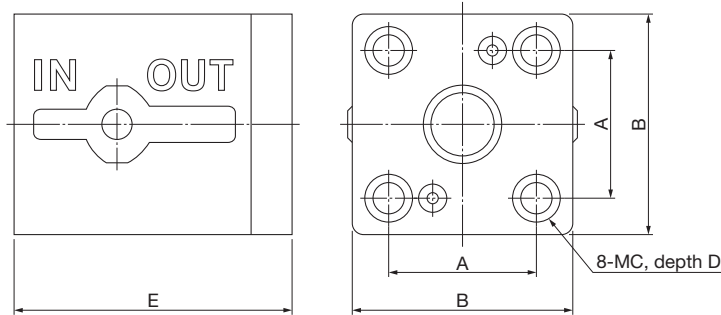
HK3-QG\*-\*\* (H)



SHK\*\*-\*\*T1 (A)



HK3-EF\*-\*\*A



Model	A	B	C	D	E	G	H	J	K	L	Mass (kg)
HK3-QG*-02A	50	36	40	26	44	10.5	6	6	JIS B 2401-1AP12	6	0.4
HK3-QG*-03A	80	60	68	48	56	15	6	6	JIS B 2401-1AP18	10	1.2
HK3-QG*-06A	113	81	97	65	76	22	6	6	JIS B 2401-1AG25	16	3.4

Model	a	b	c	d	e	f	g	h	i	j	k	ℓ	m	n	p	q	r	s	t	u	v	w	y
SHK02-02T1	72	57	40	26	50	36	7	-	7	4	4	18	24	29	36	M 6	12	25	11	10	11	6.5	1/4
SHK03-04T1	104	87	68	48	80	63	8.5	30	10	12	12	-	47	47	60	M10	20	30	13	16	14	9	1/2
SHK06-06T1A	147	123	97	65	113	89	12	40.5	16	13	13	-	59	61	81	M16	30	35	14	20	20	13	3/4

Model	A	B	C	D	E	Used Flange	Mass (kg)
HK3-EF*-04A	36	54	10	17	58	JIS B 2291-SSA15	1
HK3-EF*-06A	40	58	10	17	68	JIS B 2291-SSA20	1.5

SOLENOID VALVES / DIRECTIONAL CONTROL VALVES

