

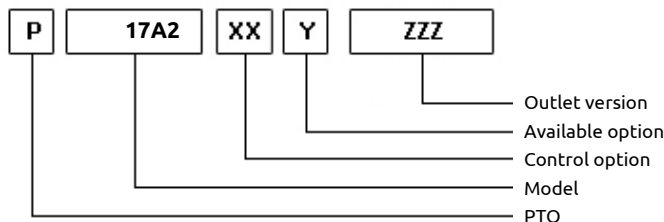
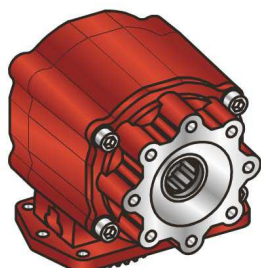


**Hydrocar**  
Hydraulic Energy

# 17A2

##PTO LAT. ALLISON MD - HD

POSSIBLE SOLUTIONS



18/06/2019

TEC. SPECIFICATIONS

<b>Status</b>	In production	<b>Revision</b>	1
	<b>Outlet 1</b>	<b>Replaces</b>	
<b>Torque (NM)</b>	600	<b>Replaced by</b>	
<b>Int. Ratio</b>	0,84		
<b>Teeth number</b>	50		

CONTROL TYPE HYDROCAR

Electric  
  Hydraulic  
  Mechanic  
  Fixed engagement  
  Pneumatic  
  Vacuum system

CONTROL VERSIONS (XX)

Type	81Z1	Description
I (Hydraulic)	1	Standard Control
I (Hydraulic)	5	#Nuova Versione scatola spine
P (Pneumatic)	1	Standard Control M12x1.25

AVAILABLE OPTIONS (Y)

81Z1	Description	Lubr. Kit	Switch Kit	Reinforced
1	Inspection plug			<input checked="" type="checkbox"/>
2	Electric drive type AMP			<input checked="" type="checkbox"/>
3	Electric drive type IVECO			<input type="checkbox"/>
4	Electric drive type EDI-SYSTEM			<input type="checkbox"/>
5	Electric drive type HYDAC			<input type="checkbox"/>
7	#Cmd. elet. RVI Euro 6			<input type="checkbox"/>
8	#Cmd. elet. Delphi Scania			<input type="checkbox"/>

OUTLET VERSIONS (ZZZ)

81Z1	Description
294	4 HOLES PUMP SE/R REAR
740	FL DIN00 REAR SIDE
741	FL SPICER 1120 REAR SIDE
742	FL DIN10 REAR SIDE
743	FL SPICER 1300 REAR SIDE
744	FL SPICER 1410 REAR SIDE
B40	BRAKE OUTPUT FL DIN 00 REAR SIDE
B41	BRAKE OUTPUT FL SP.1120 POST
B42	BRAKE OUTPUT FL DIN 10 REAR SIDE
B43	#FRENO USC. FL SPICER 1300 POST.





**Hydrocar**  
Hydraulic Energy

# 17A2

##PTO LAT. ALLISON MD - HD

Pneumatic/Mechanic		Conversion kit	
Mechanic/Pneumatic		UNI from DIN 5462 SE/R	606X03RZ000
Electric control			
Flange kit			
81Z1	Description		
197KFL21000	DIN00 (90mm) IVECO		
197KFL22000	DIN10 (100mm) IVECO		
197KFL27000	SPICER 1300 IVECO		
197KFL28000	SPICER 1120 IVECO		
197KFL38000	SPICER 1410 IVECO		
Lubrication kit			
Switch kit			
Bracket kit			
ELECTRIC KITS			
81Z1	Description		
194KE004000	SAFETY KIT (FOR PNEUMATIC CLUTCHES)		
194KE005000	SAFETY KIT IVECO EUROTECH		
194KE006000	DIN COIL FOR ELECTRO KIT IVECO		
194KE013000	DIN COIL FOR ELECTRO KIT IVECO CURSOR		
194KE018000	DIN COIL FOR ELECTRO KIT SCANIA		
194KE029000	DIN COIL FOR ELECTRO KIT IVECO TECTOR		
194KE034000	DIN COIL FOR ELECTRO KIT IVECO STRALIS		
194KE040000	ELECTRICAL KIT FOR MERCEDES		
194KE090000	#KE090 KIT ELETTRICO PER CAMBI ALLISON SU VEICOLI IVECO		



**Hydrocar**  
*Hydraulic Energy*

# 17A2

##PTO LAT. ALLISON MD - HD

Related notes

No.	Sub-section	Type	Note
4	1	Commercial	Clutch operated PTO. Lubrication kit included in mounting kit K322 - 205C758. Available torque is limited by gearbox specs

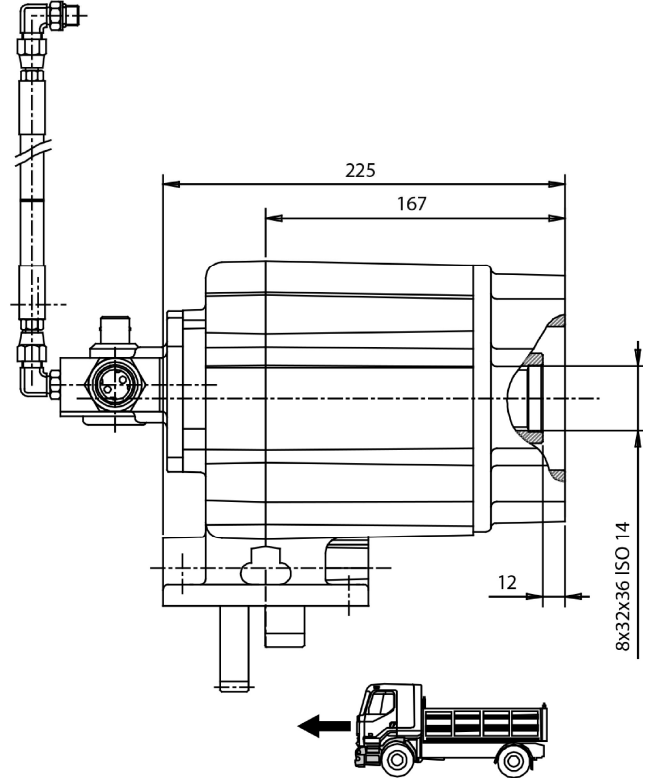
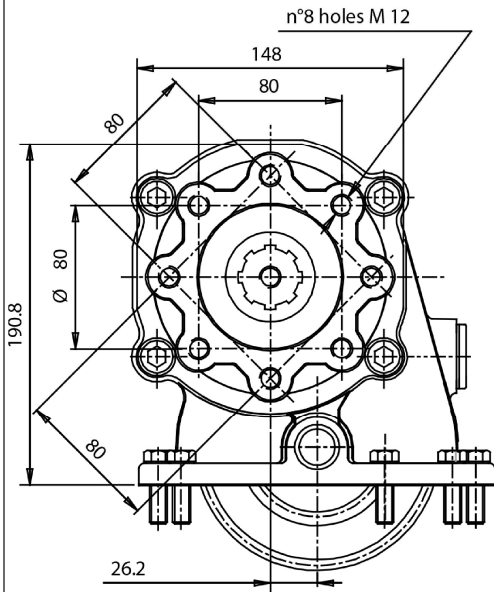


**Hydrocar**  
Hydraulic Energy

# 17A2

##PTO LAT. ALLISON MD - HD

TECH.PICTURE





**Hydrocar**  
*Hydraulic Energy*

# 17A2

##PTO LAT. ALLISON MD - HD

EXPLODED VIEW

