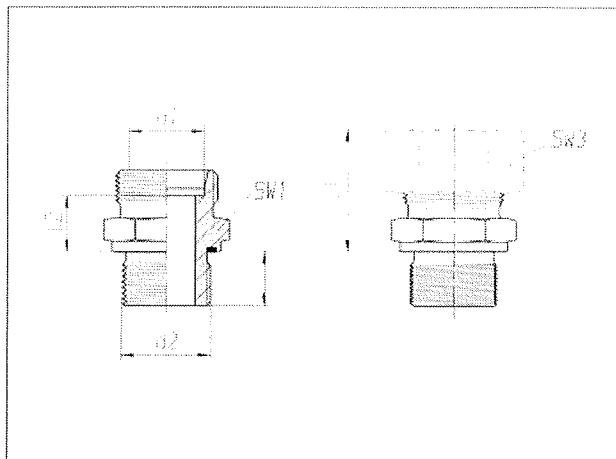


## Straight male stud couplings

Thread:  
Whitworth pipe thread,  
straight

Sealed with PEFLEX seal



3

Series	Pressure	d2		SW1	SW3	l1*	l2	i	Nm	kg/100	Order No.	Order No.
Tube OD						approx.			-10 %	approx.	Single component	**
d1												
L 6	PN 500	G 1/8 A		14	14	23	8.5	8	20	1.3	0 7 84 19 20 00***	0 1 84 19 20 XX
L 6	PN 500	G 1/4 A		19	14	24.5	10	12	50	2.7	1 7 84 08 20 00	1 1 84 08 20 XX
L 6	PN 400	G 3/8 A		22	14	26	11.5	12	80	3.8	1 7 84 94 20 00	1 1 84 94 20 XX
L 8	PN 500	G 1/8 A		14	17	24.5	9.5	8	20	1.5	1 7 84 22 20 00	1 1 84 22 20 XX
L 8	PN 500	G 1/4 A		19	17	25	10	12	50	2.7	0 7 84 20 20 00	0 1 84 20 20 XX
L 8	PN 400	G 3/8 A		22	17	26.5	11.5	12	80	4.4	1 7 84 23 20 00	1 1 84 23 20 XX
L 8	PN 400	G 1/2 A		27	17	27	12	14	100	7.2	1 7 84 91 20 00	1 1 84 91 20 XX
L 10	PN 500	G 1/8 A		17	19	25.5	10.5	8	20	2.0	1 7 84 93 20 00	1 1 84 93 20 XX
L 10	PN 500	G 1/4 A		19	19	26	11	12	50	2.9	0 7 84 21 20 00	0 1 84 21 20 XX
L 10	PN 400	G 3/8 A		22	19	27.5	12.5	12	80	4.2	1 7 84 17 20 00	1 1 84 17 20 XX
L 10	PN 400	G 1/2 A		27	19	28	13	14	100	6.3	1 7 84 18 20 00	1 1 84 18 20 XX
L 12	PN 400	G 1/4 A		19	22	27	12.5	12	50	3.2	0 7 84 10 20 00	0 1 84 10 20 XX
L 12	PN 400	G 3/8 A		22	22	27	12.5	12	80	4.2	0 7 84 22 20 00	0 1 84 22 20 XX
L 12	PN 400	G 1/2 A		27	22	27.5	13	14	100	6.7	0 7 84 12 20 00	0 1 84 12 20 XX
L 12	PN 250	G 3/4 A		32	22	28.5	14	16	180	11.7	1 7 84 21 20 00	1 1 84 21 20 XX
L 15	PN 400	G 3/8 A		24	27	28.5	13.5	12	80	5.1	1 7 84 07 20 00	1 1 84 07 20 XX
L 15	PN 400	G 1/2 A		27	27	29	14	14	100	7.1	0 7 84 23 20 00	0 1 84 23 20 XX
L 15	PN 250	G 3/4 A		32	27	30	15	16	180	11.7	1 7 84 19 20 00	1 1 84 19 20 XX
L 18	PN 400	G 3/8 A		27	32	30.5	14	12	80	6.6	1 7 84 92 20 00	1 1 84 92 20 XX
L 18	PN 400	G 1/2 A		27	32	31	14.5	14	100	7.0	0 7 84 24 20 00	0 1 84 24 20 XX
L 18	PN 315	G 3/4 A		32	32	31	14.5	16	180	10.9	1 7 84 28 20 00	1 1 84 28 20 XX

Continuation on page 76

Special pressure stages apply in combination with the 2S cutting ring (refer to Page 48)

Supplementary to Order No. for complete fitting tube connection

Supplementary to Order No.

2S  
ES-4  
BV-10

07  
09  
Refer to the front page

\* Apply to complete fittings with 2S or ES-4 tube connection components.  
For BV-10 Refer to the front page.

\*\* With union nut and 2S, ES-4 or BV-10 tube connection components

\*\*\* Sample product code, see:  
GE06LREDOMD  
ISO 8434-1-SDS-L6xG1/8A, typeE-St