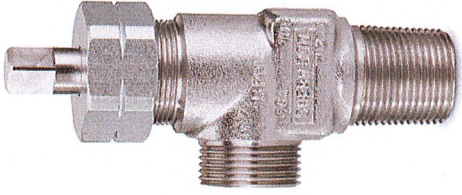


## 1206A Series

### Packed Wrench-Operated Valves for Anhydrous Ammonia Applications

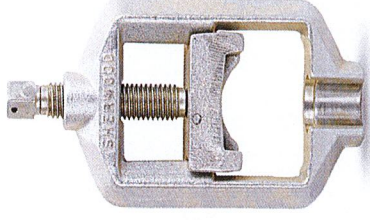
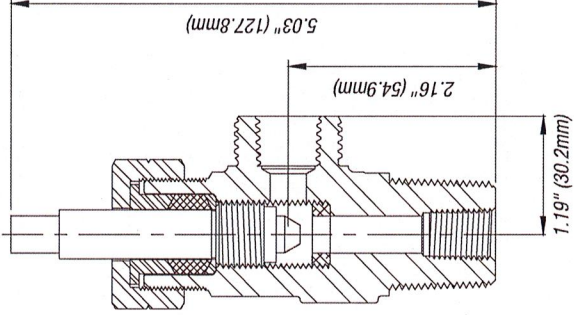


1206AX5

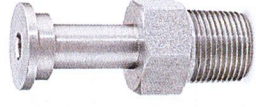
Designed for anhydrous ammonia applications, including commercial refrigeration, metal treating and chemical manufacturing

#### Key Features & Benefits

- One-piece lead carbon steel, case-hardened, nickel-plated stem provides positive shut-off in corrosive gas service with exceptional durability
- One-piece PTFE packing promotes easy operation while providing a durable leak-resistant stem seal
- Designed to ensure a safe, long, trouble-free life under all service conditions
- 1206AX5 compatible with both CGA 705 and 240 outlets
- 1206AX9 compatible with CGA 240 outlet only
- Inlet Tap ¼"–18 NPT



628X1



5877

#### Ordering Information

Sherwood Part Number	Description	CGA Outlet
1206AX5	Packed Ammonia Cylinder Valve	705, 240
1206AX9	Packed Ammonia Cylinder Valve with Lead Washer Recess	240
628X1	Ammonia Yoke Adapter	800
5877	Adapter	800

For Product Markings Reference, see **C** in the Appendix



**SUPERIOR**  
SPECIALTY GAS VALVES

SW000215 ©2023 Sherwood Valve, LLC



www.sherwoodvalve.com • 888.508.2583



**1206A Series****Packed Wrench-Operated Valves for Anhydrous Ammonia Applications**

Design Specifications		English	Metric
Maximum Working Pressure		3000 PSI	207 Bar
Burst Pressure		15,000 PSI	1034 Bar
Leak Rate		1x10 <sup>-5</sup> atm cc/s	1x10 <sup>-5</sup> Bar mL/sec
Operating Temperature		-50° F to +130° F	-45° C to +54° C
Operating Torque		5–6.5 ft.-lbs.	6.8–8.8 N-m
Closing Torque		15 ft.-lbs.	20.3 N-m
Cv Flow Factor		0.733	0.733
Cycle Life		1000 Minimum	1000 Minimum

Standards Conformance	
C6A V-9	Standards for Gas Cylinder Valves
C6A S1.1	Standards for Pressure Relief Devices
C6A V-1	Compressed Gas Cylinder Valve Outlet
A-A-59860	US General Services Administration Standards for Gas Cylinder Valves

Materials of Construction	
Part Description	Materials of Construction
Stem	12L14 Carbon Steel with Nickel Plating
Packing Nut	12L14 Carbon Steel with Zinc Plating
Packing Gland	12L14 Carbon Steel with Zinc Plating
Packing	PTFE
Packing Washer	12L14 Carbon Steel with Zinc Plating
Seat	Tin (Sn)
Body	303 Stainless Steel