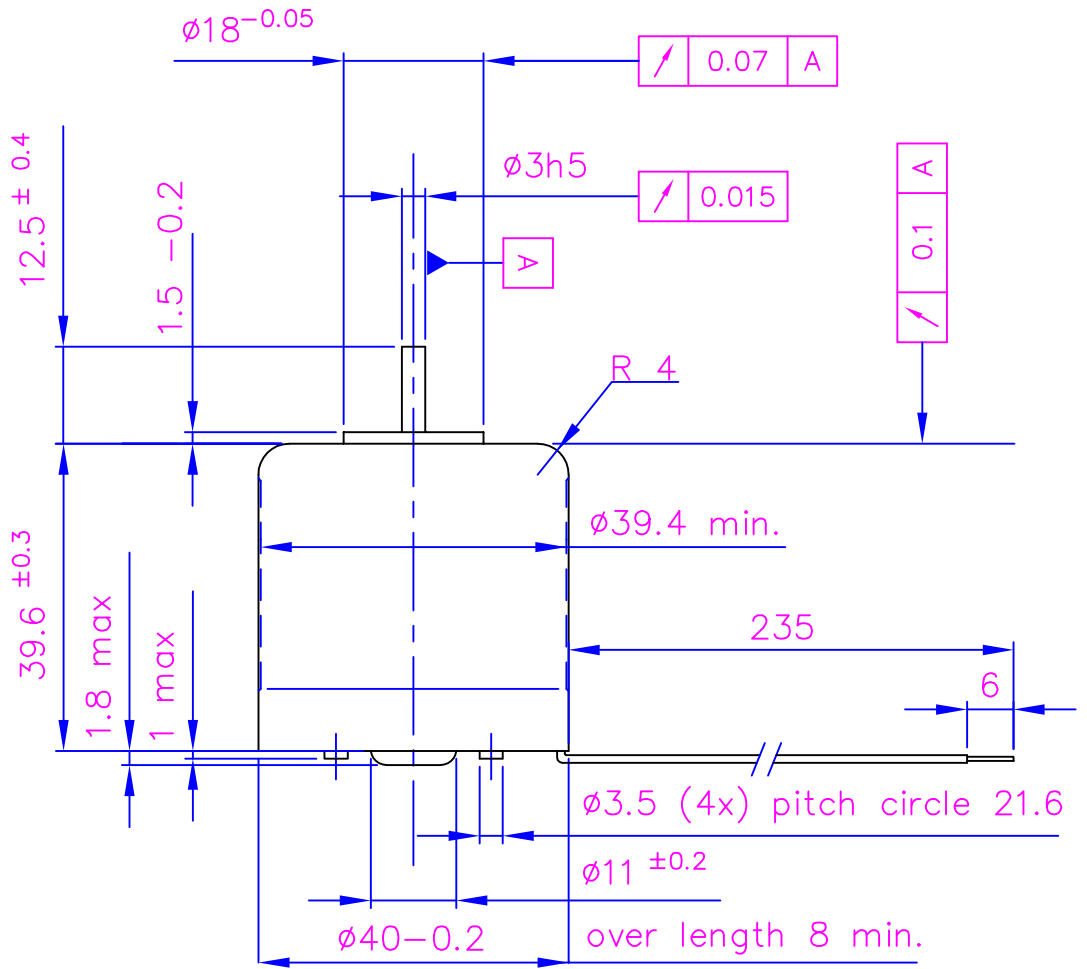
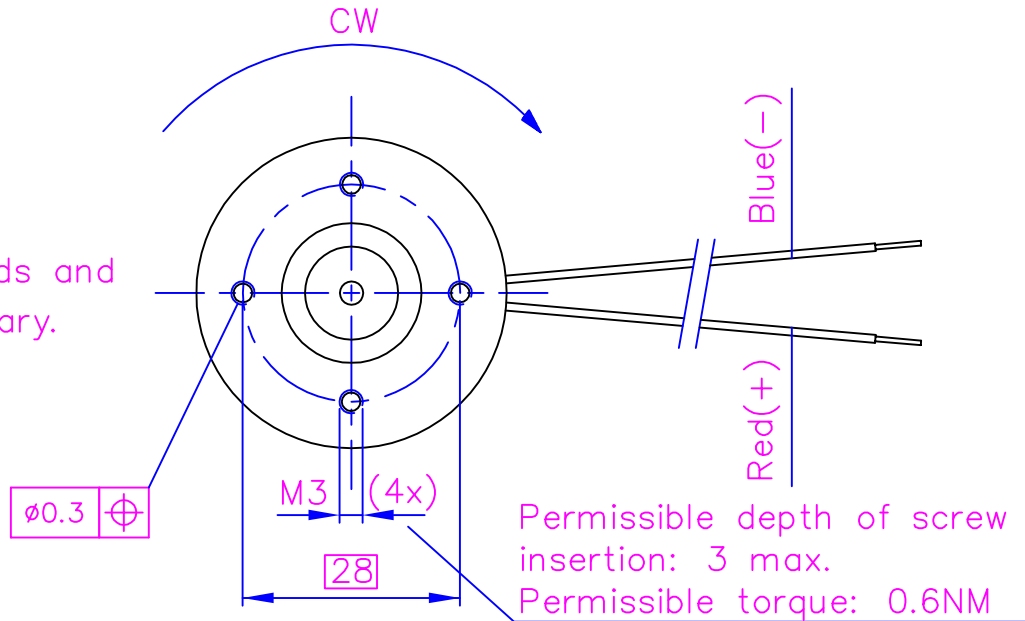


pulling force of rotor $0.5^{+0.4}_{-0.2}$ N



Positioning of leads and fixing holes arbitrary.



The direction of rotating is given in connection with the polarity.
Rotordisplacement $0.2+0.4$

SCALE 1:1	EUROP. PROJ. 	MATERIAL	PATTERN NO. $\phi 40$			
CLASS NO.	Motor assy		9904 120 16803			
SUPERS. -		2	112	-	1	10 A4
NAME Wilco Rook	DATE 06-11-27	PROPERTY OF PRECISION MOTOR TECHNOLOGY BV DORDRECHT - THE NETHERLANDS				
W .DWG	CHECK					