

# V15 SERIES

004945

Issue 13

## MICRO SWITCH Standard Miniature Basic Switches

### DESCRIPTION

Honeywell's MICRO SWITCH V-Basic Standard Switch, V15 Series is an electromechanical switch designed to provide outstanding value in a reliable global package. This switch is often ideal for "low-cost-of-failure" applications, where the cost is minimal to replace or service any failure related to the switch. With a wide variety of operating forces, and amperage ratings, the V15 is designed for numerous types of applications.

Available in both pin plunger and levered styles, the V15 Series also offers a multitude of termination styles to fit almost any application.

### DIFFERENTIATION

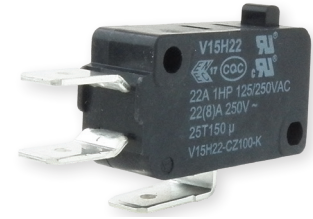
- Choice of actuation, termination, and operating characteristics that can allow for flexibility in numerous types of applications
- With a broad current capacity, one switch package can control a wide range of electrical loads

### VALUE TO CUSTOMERS

- Wide choice of electrical ratings: 0.1 A, 5 A, 10 A, 16 A, 22 A, 26 A
- Certified for global use: UL/cUL, ENEC, CQC
- Available with pin plungers or integral levers to meet multiple application and equipment requirements

### FEATURES

- Broad range of electrical loads: 0.1 A, 5 A, 10 A, 16 A, 22 A, 26 A
- Long service life: over one million mechanical operations
- Gold contacts are also available for controlling logic level/low energy circuits
- World-wide package size acceptance
- UL/CSA, cUL, ENEC, and CQC approvals
- Variants with cadmium-free and optimized contacts available



### APPLICATIONS

- Appliances
- Furnaces
- Gaming machines
- Ice makers
- Power washers
- Vending machines

### PORTFOLIO



Honeywell offers a wide range of MICRO SWITCH basic switches. These include the large basic switches, V Series basic switches, miniature basic switches, watertight switches and special duty basic switches.

To view the entire product portfolio, [click here](#).

**Honeywell**

# MICRO SWITCH STANDARD BASIC SWITCHES, V15 SERIES

**TABLE 1. SPECIFICATIONS**

CHARACTERISTIC	PARAMETER
Circuitry	SPDT, SPNO, SPNC
Operating force	0,15 N to 3,92 N [15g to 400 g]
Termination	quick connect; 6,35 mm x 0,80 mm [0.250 in x 0.032 in] quick connect 4,80 mm x 0,80 mm [ 0.187 in x 0.032 in] quick connect 4,80 mm x 0,50 mm [0.187 in x 0.020 in] push-in terminals; RAST-5 250#; RAST-7 250#; short solder; slot-hole solder; solder; right side PCB; left side PCB; straight PCB; screw; oblique screw
Actuators	pin plunger, integral lever options
Agency certification	ENEC, CQC, UL, cUL
Operating temperature (manufacturer specified)	code S: -25 °C to 85 °C [-13 °F to 185 °F] code T: -25 °C to 125 °C [-13 °F to 257 °F] code H: -25 °C to 150 °C [-13 °F to 302 °F]
Humidity	Validated to 240 hours at 40°C [40°F], 95 %RH
Mechanical life (cycles)	1 million cycles (except for 200 g versions of V15S05 and V15T10 which are 500,000 cycles)
Contact material	silver (≤5 A), silver cadmium oxide (>5 A); gold-plated and cadmium-free options available
Housing material	PBT thermoplastic polyester (standard) PET thermoplastic polyester (V15H high temperature, 150 °C [302 °F])




**TABLE 2. ELECTRICAL RATINGS**

RATING/ NOMENCLATURE CODE	UL/CUL (CUL 61058-1, FILE 12252) AMERICAS	ENEC (IEC 61058-1) EUROPE CQC (GB15092-1) ASIA-PACIFIC
05	5 GPA 125/250 Vac; 0.1 GPA 125/250 Vac 1/10 HP 125/250 Vac 0.1 RA 48 Vdc 10,000 cycles	0.1 A 125/250 Vac; 0.1 A 48 Vdc 5 (2.5) A 125/250 Vac 50,000 cycles (Contacts "A" & "F") 25,000 cycles (Contact "M")
H10	10 GPA 125/250 Vac 1/2 HP 125/250 Vac 1.0 RA 30 Vdc 100,000 cycles	0.5 A 125 Vdc, 0.25 A 250 Vdc 10(3) A 125/250 Vac 50,000 cycles (Contacts "A" & "F") Contact "M" option not available
T10	11 GPA 125/250 Vac 1/3 HP 125/250 Vac 0.5 RA 125 Vdc 0.25 RA 250 Vdc 10,000 cycles	0.5 A 125 Vdc; 0.25 A 250 Vdc 10 (3) A 125/250 Vac 50,000 cycles (Contacts "A" & "F") Contact "M" option not available
S11	11 (3) 125/250 Vac 50,000 cycles	11 (3) 125/250 Vac 50,000 cycles (Contacts "A" & "F") Contact "M" option not available (ENEC only)
16	16 GPA 125/250 Vac 1/2 HP 125/250 Vac 10,000 cycles	16 (4) A 250 Vac 50,000 cycles (Contacts "A" & "F") 25,000 cycles (Contact "M")
22	22 GPA 125/250 Vac 1 HP 125/250 Vac 10,000 cycles	22 (8) A 250 Vac 50,000 cycles (Contacts "A" & "F") 25,000 cycles (Contact "M")
26	26 GPA 125/250 Vac 2 HP 250 Vac	0.02 A 250 Vac 26 (10) A 250 Vac 50,000 cycles (Contacts "A" & "F") 25,000 cycles (Contact "M")

- RA = Resistive Amps (Resistive Load)
- GPA = General Purpose Amps (Inductive Load, 75 % to 80 % power factor)
- VL = Lamp Load
- XX (Y) = XX max. resistive value (Amps) and (Y) max. inductive value (Amps)



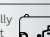
# MICRO SWITCH STANDARD BASIC SWITCHES, V15 SERIES

## V15S05 PRODUCT NOMENCLATURE

Switch Type	Temperature Grade	Electrical Rating	Terminal Type	Housing Type	Circuit Code	Operating Force (at pin plunger max)	Lever Position	Lever Type	Mounting Holes	Special Designator						
<b>V15</b> Series Standard Basic Switch	<b>S</b> 85 °C [185 °F] (for "05" and "11" ratings only)	<b>05</b> 0.1 A 48 Vdc / 125 Vac / 250 Vac 5 A 125 Vac / 250 Vac	<b>C</b> Quick connect 6.30 mm x 0.80 mm [0.250 in x 0.032 in]	Basic (blank) 	<b>Z</b> SPDT	<b>015</b> 15 gf; 0.15 N	<b>A</b> Pin plunger, no lever (blank)	<b>06</b> No Lever (blank)	<b>K</b> Metric Ø 3.1 mm (blank)	A special designator letter is used only when there is a special modification to the switch. Review Product Specification to determine the exact differences. Below is an example. <b>A</b> Gold-plated contacts <b>M</b> Optimized contacts***						
			<b>D</b> Quick connect 4.70 mm x 0.80 mm [0.187 in x 0.032 in]								<b>1</b> Flat 	<b>P</b> SPST-NO	<b>025</b> 25 gf; 0.25 N	<b>A</b> Far from pin plunger	<b>01</b> Short straight lever	<b>K</b> USA Ø 2.9 mm
			<b>E</b> Quick connect 4.70 mm x 0.50 mm [0.187 in x 0.020 in]								<b>2</b> Fully flat 	<b>C</b> SPST-NC	<b>050</b> 50 gf; 0.49 N	<b>B</b> Near pin plunger	<b>02</b> Standard straight lever	
			<b>F</b> Screw terminal w/ pressure plate									<b>100</b> 100 gf; 0.96 N	<b>03</b> Long straight lever			
			<b>U</b> Push-in terminal (used only in combination with "S11")									<b>200</b> 200 gf; 1.96 N	<b>04</b> Simulated roller lever			
							<b>05</b> Roller lever									
								<b>06</b> Long roller lever								
								<b>**</b> Special								

\* Type "11" rating only available with U terminal type and 200 gf operating force.  
\*\* Additional code assigned for specials  
\*\*\* "M" contact designation not allowed with "11" electrical rating



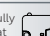
## V15T10 PRODUCT NOMENCLATURE

Switch Type	Temperature Grade	Electrical Rating	Terminal Type	Housing Type	Circuit Code	Operating Force (at pin plunger max)	Lever Position	Lever Type	Mounting Holes	Special Designator					
<b>V15</b> Series Standard Basic Switch	<b>T</b> 125 °C [257 °F]	<b>10</b> 0.5 A 125 Vdc, 0.25 A 250 Vdc 4 A 125 Vac (lamp load)* 10 A/11 A 125 Vac/250 Vac 1/3 HP 125 Vac/250 Vac	<b>C</b> Quick connect 6.30 mm x 0.80 mm [0.250 in x 0.032 in]	Basic 	<b>Z</b> SPDT	<b>050</b> 50 gf; 0.49 N	<b>A</b> Pin plunger, no lever (blank)	<b>06</b> No Lever (blank)	<b>K</b> Metric Ø 3.1 mm (blank)	A special designator letter is used only when there is a special modification to the switch. Review Product Specification to determine the exact differences. Below is an example. <b>A</b> Gold-plated contacts <b>F</b> Cadmium-free contacts					
			<b>D</b> Quick connect 4.70 mm x 0.80 mm [0.187 in x 0.032 in]								<b>1</b> Flat 	<b>P</b> SPST-NO	<b>100</b> 100 gf; 0.96 N	<b>A</b> Far from pin plunger	<b>01</b> Short straight lever
			<b>E</b> Quick connect 4.70 mm x 0.50 mm [0.187 in x 0.020 in]								<b>2</b> Fully flat 	<b>C</b> SPST-NC	<b>200</b> 200 gf; 1.96 N	<b>B</b> Near pin plunger	<b>02</b> Standard straight lever
			<b>F</b> Screw terminal w/ pressure plate									<b>03</b> Long straight lever			
												<b>04</b> Simulated roller lever			
					<b>05</b> Roller lever										
								<b>06</b> Long roller lever							
								<b>**</b> Special							

\* Lamp load 4 A 125 VL is not allowed with V15T10 50 gfs

\*\* Additional code assigned for specials

## V15H16/T16/T22/H22/T26 PRODUCT NOMENCLATURE

Switch Type	Temperature Grade	Electrical Rating	Terminal Type	Housing Type	Circuit Code	Operating Force (at pin plunger max)	Lever Position	Lever Type	Mounting Holes	Special Designator								
<b>V15</b> Series Standard Basic Switch	<b>T</b> 125 °C [257 °F] <b>H</b> 150 °C [302 °F]	<b>10</b> 0.5 A 125 Vdc, 0.25 A 250 Vdc 1 A 30 Vdc 10 A 1/2 HP 125 Vac/250 Vac (H temperature grade only) <b>16</b> 16 A 125 Vac/250 Vac 1/2 HP 125 Vac/250 Vac <b>22</b> 22 A 125 Vac/250 Vac 1 HP 125 Vac/250 Vac <b>26</b> 0.02 A 250 Vac 26 A 250 Vac 2 HP 250 Vac	<b>C</b> Quick connect 6.30 mm x 0.80 mm [0.250 in x 0.032 in]	Basic 	<b>Z</b> SPDT	<b>100</b> 100 gf; 0.96 N	<b>A</b> Pin plunger, no lever (blank)	<b>06</b> No Lever (blank)	<b>K</b> Metric Ø 3.1 mm (blank)	A special designator letter is used only when there is a special modification to the switch. Review Product Specification to determine the exact differences. Below is an example. <b>A</b> Gold-plated contacts <b>F</b> Cadmium-free contacts <b>M</b> Optimized <sup>2</sup> contacts								
			<b>D</b> Quick connect 4.70 mm x 0.80 mm [0.187 in x 0.032 in]								<b>1</b> Flat 	<b>P</b> SPST-NO	<b>200</b> 200 gf; 1.96 N	<b>A</b> Far from pin plunger	<b>01</b> Short straight lever			
			<b>E</b> Quick connect 4.70 mm x 0.50 mm [0.187 in x 0.020 in]								<b>2</b> Fully flat 	<b>C</b> SPST-NC	<b>300</b> 300 gf; 2.84 N	<b>B</b> Near pin plunger	<b>02</b> Standard straight lever			
			<b>F</b> Screw terminal w/ pressure plate									<b>400</b> 400 gf; 3.92 N	<b>03</b> Long straight lever					
			<b>H</b> RAST-5 250# connector									<b>04</b> Simulated roller lever						
			<b>K</b> Slot hole, solder terminal												<b>05</b> Roller lever			
			<b>L</b> Left side, PCB terminal													<b>06</b> Long roller lever		
			<b>M</b> Short solder terminal													<b>**</b> Special		
			<b>N</b> RAST-7 250# connector															
			<b>P</b> Straight PCB terminal															
<b>R</b> Right side, PCB terminal																		
<b>S</b> Solder terminal																		
<b>T</b> Screw terminal																		
<b>**</b> Special terminal																		

<sup>1</sup> "H" temperature grade not allowed with "26" electrical rating  
<sup>2</sup> "M" contact designation not allowed with "10" electrical rating  
\*\* Additional code assigned for specials

# MICRO SWITCH STANDARD BASIC SWITCHES, V15 SERIES

## PRODUCT SPECIFICATIONS AND LISTINGS

Contact your Honeywell rep or distributor for additional listings

O.F. • Operating force    O.T. • Overtravel  
 R.F. • Release force    D.T. • Differential travel  
 P.T. • Pretravel        O.P. • Operating position

	Catalog Listing	Elec. Rating UL/eUL (ENEC)	Electrical Rating (see page 5)	Temperature Rating	Circuitry	Available w/ cadmium free contacts	O.F. max. g [oz]	R. F. max. g [oz]	O.P. nominal mm [in]	P.T. max. mm [in]	D.T. min. mm [in]	O.T. max. mm [in]	Mounting holes
	<b>V15S05-CP100</b>	5 A (5 A)	05	85 °C	SPNO	No	100 [3.53]	25 [0.88]	14,7 [0.58]	1,6 [0.06]	0,4 [0.02]	0,8 [0.03]	Metric
	<b>V15S05-CZ015</b>	5 A (5 A)	05	85 °C	SPDT	No	15 [0.53]	3 [0.11]	14,7 [0.58]	1,6 [0.06]	0,4 [0.02]	0,8 [0.03]	Metric
	<b>V15S05-CZ100</b>	5 A (5 A)	05	85 °C	SPDT	No	100 [3.53]	25 [0.88]	14,7 [0.58]	1,6 [0.06]	0,4 [0.02]	0,8 [0.03]	Metric
	<b>V15S05-EZ100-K</b>	5 A (5 A)	05	85 °C	SPDT	No	100 [3.53]	25 [0.88]	14,7 [0.58]	1,6 [0.06]	0,4 [0.02]	0,8 [0.03]	USA
	<b>V15H10-CP100</b>	10 A (---)	H10	150 °C	SPNO	No	100 [3.53]	25 [0.88]	14,7 [0.58]	1,6 [0.06]	0,4 [0.02]	0,8 [0.03]	Metric
	<b>V15H10-CZ100</b>	10 A (---)	H10	150 °C	SPDT	No	100 [3.53]	25 [0.88]	14,7 [0.58]	1,6 [0.06]	0,4 [0.02]	0,8 [0.03]	Metric
	<b>V15H10-EZ100</b>	10 A (---)	H10	150 °C	SPDT	No	100 [3.53]	25 [0.88]	14,7 [0.58]	1,6 [0.06]	0,4 [0.02]	0,8 [0.03]	Metric
	<b>V15T10-CZ100</b>	11 A (10 A)	T10	125 °C	SPDT	Yes	100 [3.53]	25 [0.88]	14,7 [0.58]	1,6 [0.06]	0,4 [0.02]	0,8 [0.03]	Metric
	<b>V15T16-CP100</b>	16 A (16 A)	16	125 °C	SPNO	Yes	100 [3.53]	25 [0.88]	14,7 [0.58]	1,6 [0.06]	0,4 [0.02]	0,8 [0.03]	Metric
	<b>V15T16-CZ100-K</b>	16 A (16 A)	16	125 °C	SPDT	Yes	100 [3.53]	25 [0.88]	14,7 [0.58]	1,6 [0.06]	0,4 [0.02]	0,8 [0.03]	USA
	<b>V15T16-EZ100-K</b>	16 A (16 A)	16	125 °C	SPDT	Yes	100 [3.53]	25 [0.88]	14,7 [0.58]	1,6 [0.06]	0,4 [0.02]	0,8 [0.03]	USA
	<b>V15H16-CZ100</b>	16 A (16 A)	16	150 °C	SPDT	Yes	100 [3.53]	25 [0.88]	14,7 [0.58]	1,6 [0.06]	0,4 [0.02]	0,8 [0.03]	Metric
	<b>V15H16-EZ100</b>	16 A (16 A)	16	150 °C	SPDT	Yes	100 [3.53]	25 [0.88]	14,7 [0.58]	1,6 [0.06]	0,4 [0.02]	0,8 [0.03]	Metric
	<b>V15T22-CP100-K</b>	22 A (22 A)	22	125 °C	SPNO	Yes	100 [3.53]	25 [0.88]	14,7 [0.58]	1,6 [0.06]	0,4 [0.02]	0,8 [0.03]	USA
	<b>V15T22-CZ100-K</b>	22 A (22 A)	22	125 °C	SPDT	Yes	100 [3.53]	25 [0.88]	14,7 [0.58]	1,6 [0.06]	0,4 [0.02]	0,8 [0.03]	USA
	<b>V15H22-CP100</b>	22 A (22 A)	22	150 °C	SPNO	Yes	100 [3.53]	25 [0.88]	14,7 [0.58]	1,6 [0.06]	0,4 [0.02]	0,8 [0.03]	Metric
	<b>V15H22-CZ100</b>	22 A (22 A)	22	150 °C	SPDT	Yes	100 [3.53]	25 [0.88]	14,7 [0.58]	1,6 [0.06]	0,4 [0.02]	0,8 [0.03]	Metric
	<b>V15T26-CP200-K</b>	--- (26 A)	26	125 °C	SPNO	Yes	200 [7.05]	50 [1.76]	14,7 [0.58]	1,6 [0.06]	0,4 [0.02]	0,8 [0.03]	USA
	<b>V15T26-CZ200</b>	--- (26 A)	26	125 °C	SPDT	Yes	200 [7.05]	50 [1.76]	14,7 [0.58]	1,6 [0.06]	0,4 [0.02]	0,8 [0.03]	Metric





Pin  
Plunger

# MICRO SWITCH STANDARD BASIC SWITCHES, V15 SERIES

## PRODUCT SPECIFICATIONS AND LISTINGS

Contact your Honeywell rep or distributor for additional listings

O.F. • Operating force    O.T. • Overtravel  
 R.F. • Release force    D.T. • Differential travel  
 P.T. • Pretravel        O.P. • Operating position



	Catalog Listing	Elec. Rating UL/eUL (ENEC)	Electrical Rating (see page 5)	Temperature Rating	Circuitry	Available w/ cadmium free contacts	O.F. max. g [oz]	R. F. max. g [oz]	O.P. nominal mm [in]	P.T. max. mm [in]	D.T. min. mm [in]	O.T. max. mm [in]	Mounting holes
 <b>Short Straight Lever</b>	<b>V15H10-EZ200B01</b>	10 A (---)	H10	150 °C	SPDT	No	140 [4.94]	20 [0.71]	15,3 [0.60]	2,4 [0.09]	0,6 [0.023]	1,2 [0.05]	Metric
	<b>V15T10-CZ100A01</b>	11 A (10 A)	T10	125 °C	SPDT	Yes	100 [3.53]	25 [0.88]	15,3 [0.60]	1,6 [0.06]	0,4 [0.02]	0,8 [0.03]	Metric
	<b>V15H16-EZ100A01</b>	16 A (16 A)	16	150 °C	SPDT	Yes	100 [3.53]	25 [0.88]	15,3 [0.60]	1,6 [0.06]	0,4 [0.02]	0,8 [0.03]	Metric
	<b>V15H16-EZ400A01</b>	16 A (16 A)	16	150 °C	SPDT	Yes	400 [14.11]	100 [3.53]	15,3 [0.60]	1,6 [0.06]	0,4 [0.02]	0,8 [0.03]	Metric
	<b>V15T16-CC100A01</b>	16 A (16 A)	16	125 °C	SPNC	Yes	100 [3.53]	25 [0.88]	15,3 [0.60]	1,6 [0.06]	0,4 [0.02]	0,8 [0.03]	Metric
	<b>V15T16-CP300A01</b>	16 A (16 A)	16	125 °C	SPNO	Yes	300 [10.58]	75 [2.65]	15,3 [0.60]	1,6 [0.06]	0,4 [0.02]	0,8 [0.03]	Metric
	<b>V15T16-E1Z100A01-K</b>	16 A (16 A)	16	125 °C	SPDT	Yes	100 [3.53]	25 [0.88]	15,3 [0.60]	1,6 [0.06]	0,4 [0.02]	0,8 [0.03]	USA
	<b>V15T16-EP200A01</b>	16 A (16 A)	16	125 °C	SPNO	Yes	200 [7.05]	50 [1.76]	15,3 [0.60]	1,6 [0.06]	0,4 [0.02]	0,8 [0.03]	Metric
	<b>V15T16-EZ200A01-K</b>	16 A (16 A)	16	125 °C	SPDT	Yes	200 [7.05]	50 [1.76]	15,3 [0.60]	1,6 [0.06]	0,4 [0.02]	0,8 [0.03]	USA
 <b>Standard Straight Lever</b>	<b>V15S05-CZ025B02</b>	5 A (5 A)	05	85 °C	SPDT	No	10 [0.35]	2 [0.07]	15,3 [0.60]	6,0 [0.24]	1,65 [0.064]	2,2 [0.086]	Metric
	<b>V15S05-EZ025A02</b>	5 A (5 A)	05	85 °C	SPDT	No	15 [0.53]	2 [0.07]	15,3 [0.60]	3,2 [0.126]	1,2 [0.047]	1,3 [0.051]	Metric
	<b>V15H10-CC200A02</b>	10 A (---)	H10	150 °C	SPNC	No	120 [4.23]	20 [0.71]	15,3 [0.60]	3,2 [0.126]	1,2 [0.047]	1,3 [0.051]	Metric
	<b>V15T10-CZ050A02</b>	11 A (10 A)	T10	125 °C	SPDT	Yes	30 [1.06]	5 [0.18]	15,3 [0.60]	3,2 [0.126]	1,2 [0.047]	1,3 [0.051]	Metric
	<b>V15H16-CP100A02</b>	16 A (16 A)	16	150 °C	SPNO	Yes	60 [2.12]	10 [0.35]	15,3 [0.60]	3,2 [0.126]	1,2 [0.047]	1,3 [0.051]	Metric
	<b>V15H16-CZ100A02</b>	16 A (16 A)	16	150 °C	SPDT	Yes	60 [2.12]	10 [0.35]	15,3 [0.60]	3,2 [0.126]	1,2 [0.047]	1,3 [0.051]	Metric
	<b>V15H16-CZ200A02</b>	16 A (16 A)	16	150 °C	SPDT	Yes	120 [4.23]	20 [0.71]	15,3 [0.60]	3,2 [0.126]	1,2 [0.047]	1,3 [0.051]	Metric
	<b>V15H16-EP400A02-K</b>	16 A (16 A)	16	150 °C	SPNO	Yes	240 [8.47]	40 [1.41]	15,3 [0.60]	3,2 [0.126]	1,2 [0.047]	1,3 [0.051]	USA
	<b>V15H16-EZ200B02</b>	16 A (16 A)	16	150 °C	SPDT	Yes	80 [2.82]	16 [0.56]	15,3 [0.60]	6,0 [0.24]	1,65 [0.064]	2,2 [0.09]	Metric
	<b>V15T16-CP300A02</b>	16 A (16 A)	16	125 °C	SPNO	Yes	180 [6.35]	30 [1.06]	15,3 [0.60]	3,2 [0.126]	1,2 [0.047]	1,3 [0.051]	Metric
	<b>V15T16-CZ100A02</b>	16 A (16 A)	16	125 °C	SPDT	Yes	60 [2.12]	10 [0.35]	15,3 [0.60]	3,2 [0.126]	1,2 [0.047]	1,3 [0.051]	Metric
	<b>V15T16-DZ100A02</b>	16 A (16 A)	16	125 °C	SPDT	Yes	60 [2.12]	10 [0.35]	15,3 [0.60]	3,2 [0.126]	1,2 [0.047]	1,3 [0.051]	Metric
	<b>V15T16-MZ200A02</b>	16 A (16 A)	16	125 °C	SPDT	Yes	120 [4.23]	20 [0.71]	15,3 [0.60]	3,2 [0.126]	1,2 [0.047]	1,3 [0.051]	Metric
	<b>V15T22-CZ300A02</b>	22 A (22 A)	22	125 °C	SPDT	Yes	180 [6.35]	30 [1.06]	15,3 [0.60]	3,2 [0.126]	1,2 [0.047]	1,3 [0.051]	Metric
	<b>V15H22-CP100A02</b>	22 A (22 A)	22	150 °C	SPNO	Yes	60 [2.12]	10 [0.35]	15,3 [0.60]	3,2 [0.126]	1,2 [0.047]	1,3 [0.051]	Metric
<b>V15H22-CZ100A02</b>	22 A (22 A)	22	150 °C	SPDT	Yes	60 [2.12]	10 [0.35]	15,3 [0.60]	3,2 [0.126]	1,2 [0.047]	1,3 [0.051]	Metric	
<b>V15T22-KC200A02</b>	22 A (22 A)	22	125 °C	SPNC	Yes	120 [4.23]	20 [0.71]	15,3 [0.60]	3,2 [0.126]	1,2 [0.047]	1,3 [0.051]	Metric	

# MICRO SWITCH STANDARD BASIC SWITCHES, V15 SERIES

## PRODUCT SPECIFICATIONS AND LISTINGS

Contact your Honeywell rep or distributor for additional listings

O.F. • Operating force O.T. • Overtravel  
R.F. • Release force D.T. • Differential travel  
P.T. • Pretravel O.P. • Operating position

	Catalog Listing	Elec. Rating UL/cUL (ENEC)	Electrical Rating (see page 5)	Temperature Rating	Circuitry	Available w/ cadmium free contacts	O.F. max. g [oz]	R.F. max. g [oz]	O.P. nominal mm [in]	P.T. max. mm [in]	D.T. min. mm [in]	O.T. max. mm [in]	Mounting holes
 <p><b>Long Straight Lever</b></p>	<b>V15H10-FP200A03</b>	10 A (---)	H10	150 °C	SPNO	No	60 [2.12]	10 [0.35]	15,3 [0.60]	6,4 [0.25]	2,4 [0.09]	2,6 [0.10]	Metric
	<b>V15T10-CZ200A03</b>	11 A (10 A)	T10	125 °C	SPDT	Yes	60 [2.12]	10 [0.35]	15,3 [0.60]	6,4 [0.25]	2,4 [0.09]	2,6 [0.10]	Metric
	<b>V15H16-CZ100A03-K</b>	16 A (16 A)	16	150 °C	SPDT	Yes	30 [1.06]	5 [0.18]	15,3 [0.60]	6,4 [0.25]	2,4 [0.09]	2,6 [0.10]	USA
	<b>V15H16-CZ300A03-K</b>	16 A (16 A)	16	150 °C	SPDT	Yes	90 [3.17]	15 [0.53]	15,3 [0.60]	6,4 [0.25]	2,4 [0.09]	2,6 [0.10]	USA
	<b>V15T16-CZ100A03</b>	16 A (16 A)	16	125 °C	SPDT	Yes	30 [1.06]	5 [0.18]	15,3 [0.60]	6,4 [0.25]	2,4 [0.09]	2,6 [0.10]	Metric
	<b>V15T16-DZ100A03</b>	16 A (16 A)	16	125 °C	SPDT	Yes	30 [1.06]	5 [0.18]	15,3 [0.60]	6,4 [0.25]	2,4 [0.09]	2,6 [0.10]	Metric
	<b>V15T16-EZ200A03-K</b>	16 A (16 A)	16	125 °C	SPDT	Yes	60 [2.12]	10 [0.35]	15,3 [0.60]	6,4 [0.25]	2,4 [0.09]	2,6 [0.10]	USA
	<b>V15H22-CP200B03</b>	22 A (22 A)	22	150 °C	SPNO	Yes	32 [1.13]	8 [0.28]	15,3 [0.60]	12 [0.47]	3,5 [0.14]	5,3 [0.21]	Metric
	<b>V15H22-CZ300A03-K</b>	22 A (22 A)	22	150 °C	SPDT	Yes	90 [3.17]	15 [0.53]	15,3 [0.60]	6,4 [0.25]	2,4 [0.09]	2,6 [0.10]	USA
	<b>V15T22-CZ100A03</b>	22 A (22 A)	22	125 °C	SPDT	Yes	30 [1.06]	5 [0.18]	15,3 [0.60]	6,4 [0.25]	2,4 [0.09]	2,6 [0.10]	Metric
 <p><b>Simulated Roller</b></p>	<b>V15T26-CZ200A03</b>	--- (26 A)	26	125 °C	SPDT	Yes	60 [2.12]	10 [0.35]	15,3 [0.60]	6,4 [0.25]	2,4 [0.09]	2,6 [0.10]	Metric
	<b>V15H16-CZ200B04</b>	16A (16A)	16	150 °C	SPDT	Yes	80 [2.82]	15 [0.53]	18,5 [0.73]	6,0 [0.24]	1,65 [0.064]	2,2 [0.09]	Metric
	<b>V15H16-CZ300A04</b>	16A (16A)	16	150 °C	SPDT	Yes	180 [6.35]	30 [1.06]	18,5 [0.73]	3,2 [0.13]	1,2 [0.05]	1,3 [0.05]	Metric
	<b>V15T16-CZ100A04</b>	16A (16A)	16	125 °C	SPDT	Yes	60 [2.12]	10 [0.35]	18,5 [0.73]	3,2 [0.13]	1,2 [0.05]	1,3 [0.05]	Metric
	<b>V15T16-DZ100A04</b>	16A (16A)	16	125 °C	SPDT	Yes	60 [2.12]	10 [0.35]	18,5 [0.73]	3,2 [0.13]	1,2 [0.05]	1,3 [0.05]	Metric
	<b>V15T16-EZ200A04-K</b>	16A (16A)	16	125 °C	SPDT	Yes	120 [4.23]	20 [0.71]	18,5 [0.73]	3,2 [0.13]	1,2 [0.05]	1,3 [0.05]	USA
	<b>V15H22-CZ200B04-K</b>	22 A (22 A)	22	150 °C	SPDT	Yes	80 [2.82]	15 [0.53]	18,5 [0.73]	6,0 [0.24]	1,65 [0.064]	2,2 [0.09]	USA
	<b>V15T22-CP200A04</b>	22 A (22 A)	22	125 °C	SPNO	Yes	120 [4.23]	20 [0.71]	18,5 [0.73]	3,2 [0.13]	1,2 [0.05]	1,3 [0.05]	Metric
	<b>V15T22-CZ300A04</b>	22 A (22 A)	22	125 °C	SPDT	Yes	180 [6.35]	30 [1.06]	18,5 [0.73]	3,2 [0.13]	1,2 [0.05]	1,3 [0.05]	Metric
	<b>V15T22-DC200A04</b>	22 A (22 A)	22	125 °C	SPNC	Yes	120 [4.23]	20 [0.71]	18,5 [0.73]	3,2 [0.13]	1,2 [0.05]	1,3 [0.05]	Metric
<b>V15T22-TP200A04</b>	22 A (22 A)	22	125 °C	SPNO	Yes	120 [4.23]	20 [0.71]	18,5 [0.73]	3,2 [0.13]	1,2 [0.05]	1,3 [0.05]	Metric	
<b>V15T26-CZ300A04</b>	--- (26 A)	26	125 °C	SPDT	Yes	180 [6.35]	30 [1.06]	18,5 [0.73]	3,2 [0.13]	1,2 [0.05]	1,3 [0.05]	Metric	

# MICRO SWITCH STANDARD BASIC SWITCHES, V15 SERIES

## PRODUCT SPECIFICATIONS AND LISTINGS

Contact your Honeywell rep or distributor for additional listings

O.F. • Operating force O.T. • Overtravel  
 R.F. • Release force D.T. • Differential travel  
 P.T. • Pretravel O.P. • Operating position

	Catalog Listing	Elec. Rating UL/cUL (ENEC)	Electrical Rating (see page 5)	Temperature Rating	Circuitry	Available w/ cadmium free contacts	O.F. max. g [oz]	R. F. max. g [oz]	O.P. nominal mm [in]	P.T. max. mm [in]	D.T. min. mm [in]	O.T. max. mm [in]	Mounting holes
	<b>V15S05-EZ050A05</b>	5 A (5 A)	05	85 °C	SPDT	Default	60 [2.12]	10 [0.35]	20,6 [0.81]	1,6 [0.06]	0,4 [0.02]	0,8 [0.03]	Metric
	<b>V15S05-EZ100A05</b>	5 A (5 A)	05	85 °C	SPDT	Default	120 [4.23]	20 [0.71]	20,6 [0.81]	1,6 [0.06]	0,4 [0.02]	0,8 [0.03]	Metric
	<b>V15T10-EZ200A05</b>	11 A (10 A)	T10	125 °C	SPDT	Yes	240 [8.47]	40 [1.41]	20,6 [0.81]	1,6 [0.06]	0,4 [0.02]	0,8 [0.03]	Metric
	<b>V15H16-CZ100A05</b>	16 A (16 A)	16	150 °C	SPDT	Yes	120 [4.23]	20 [0.71]	20,6 [0.81]	1,6 [0.06]	0,4 [0.02]	0,8 [0.03]	Metric
	<b>V15H16-EP100A05</b>	16 A (16 A)	16	150 °C	SPNO	Yes	120 [4.23]	20 [0.71]	20,6 [0.81]	1,6 [0.06]	0,4 [0.02]	0,8 [0.03]	Metric
	<b>V15H16-EZ200A05</b>	16 A (16 A)	16	150 °C	SPDT	Yes	240 [8.47]	40 [1.41]	20,6 [0.81]	1,6 [0.06]	0,4 [0.02]	0,8 [0.03]	Metric
	<b>V15T16-CC100A05</b>	16 A (16 A)	16	125 °C	SPNC	Yes	120 [4.23]	20 [0.71]	20,6 [0.81]	1,6 [0.06]	0,4 [0.02]	0,8 [0.03]	Metric
	<b>V15T16-CZ100A05</b>	16 A (16 A)	16	125 °C	SPDT	Yes	120 [4.23]	20 [0.71]	20,6 [0.81]	1,6 [0.06]	0,4 [0.02]	0,8 [0.03]	Metric
	<b>V15T16-DZ100A05</b>	16 A (16 A)	16	125 °C	SPDT	Yes	120 [4.23]	20 [0.71]	20,6 [0.81]	1,6 [0.06]	0,4 [0.02]	0,8 [0.03]	Metric
	<b>V15T16-EZ220A05</b>	16 A (16 A)	16	125 °C	SPDT	Yes	240 [8.47]	40 [1.41]	20,6 [0.81]	1,6 [0.06]	0,4 [0.02]	0,8 [0.03]	Metric
	<b>V15T16-EP200A05</b>	16 A (16 A)	16	125 °C	SPNO	Yes	240 [8.47]	40 [1.41]	20,6 [0.81]	1,6 [0.06]	0,4 [0.02]	0,8 [0.03]	Metric
	<b>V15T16-EZ100A05</b>	16 A (16 A)	16	125 °C	SPDT	Yes	120 [4.23]	20 [0.71]	20,6 [0.81]	1,6 [0.06]	0,4 [0.02]	0,8 [0.03]	Metric
	<b>V15T16-MZ200A05</b>	16 A (16 A)	16	125 °C	SPDT	Yes	240 [8.47]	40 [1.41]	20,6 [0.81]	1,6 [0.06]	0,4 [0.02]	0,8 [0.03]	Metric
	<b>V15H22-CZ100A05</b>	22 A (22 A)	22	150 °C	SPDT	Yes	120 [4.23]	20 [0.71]	20,6 [0.81]	1,6 [0.06]	0,4 [0.02]	0,8 [0.03]	Metric
	<b>V15T22-CZ200A05</b>	22 A (22 A)	22	125 °C	SPDT	Yes	240 [8.47]	40 [1.41]	20,6 [0.81]	1,6 [0.06]	0,4 [0.02]	0,8 [0.03]	Metric



**Short  
Roller  
Lever**

# MICRO SWITCH STANDARD BASIC SWITCHES, V15 SERIES

## PRODUCT SPECIFICATIONS AND LISTINGS

Contact your Honeywell rep or distributor for additional listings

O.F. • Operating force O.T. • Overtravel  
 R.F. • Release force D.T. • Differential travel  
 P.T. • Pretravel O.P. • Operating position

	Catalog Listing	Elec. Rating UL/cUL (ENEC)	Electrical Rating (see page 5)	Temperature Rating	Circuitry	Available w/ cadmium free contacts	O.F. max. g [oz]	R. F. max. g [oz]	O.P. nominal mm [in]	P.T. max. mm [in]	D.T. min. mm [in]	O.T. max. mm [in]	Mounting holes
	<b>V15S05-CP200A06</b>	5 A (5 A)	05	85 °C	SPNO	Default	120 [4.23]	20 [0.71]	20,6 [0.81]	3,2 [0.13]	1,2 [0.05]	1,3 [0.05]	Metric
	<b>V15S05-EZ050A06</b>	5 A (5 A)	05	85 °C	SPDT	Default	35 [1.23]	5 [0.18]	20,6 [0.81]	3,2 [0.13]	1,2 [0.05]	1,3 [0.05]	Metric
	<b>V15T10-EZ200A06</b>	11 A (10 A)	T10	125 °C	SPDT	Yes	120 [4.23]	20 [0.71]	20,6 [0.81]	3,2 [0.13]	1,2 [0.05]	1,3 [0.05]	Metric
	<b>V15H16-CZ100A06-K</b>	16 A (16 A)	16	150 °C	SPDT	Yes	60 [2.12]	10 [0.35]	20,6 [0.81]	3,2 [0.13]	1,2 [0.05]	1,3 [0.05]	USA
	<b>V15H16-EP200B06</b>	16 A (16 A)	16	150 °C	SPNO	Yes	80 [2.82]	10 [0.35]	20,6 [0.81]	6,0 [0.24]	1,6 [0.06]	2,2 [0.09]	Metric
	<b>V15T16-CP200A06</b>	16 A (16 A)	16	125 °C	SPNO	Yes	120 [4.23]	20 [0.71]	20,6 [0.81]	3,2 [0.13]	1,2 [0.05]	1,3 [0.05]	Metric
	<b>V15T16-CZ100A06</b>	16 A (16 A)	16	125 °C	SPDT	Yes	60 [2.12]	10 [0.35]	20,6 [0.81]	3,2 [0.13]	1,2 [0.05]	1,3 [0.05]	Metric
	<b>V15T16-DZ100A06</b>	16 A (16 A)	16	125 °C	SPDT	Yes	60 [2.12]	10 [0.35]	20,6 [0.81]	3,2 [0.13]	1,2 [0.05]	1,3 [0.05]	Metric
	<b>V15T16-EZ100A06</b>	16 A (16 A)	16	125 °C	SPDT	Yes	60 [2.12]	10 [0.35]	20,6 [0.81]	3,2 [0.13]	1,2 [0.05]	1,3 [0.05]	Metric
	<b>V15T16-MZ200A06</b>	16 A (16 A)	16	125 °C	SPDT	Yes	120 [4.23]	20 [0.71]	20,6 [0.81]	3,2 [0.13]	1,2 [0.05]	1,3 [0.05]	Metric
	<b>V15H22-CZ100A06</b>	22 A (22 A)	22	150 °C	SPDT	Yes	60 [2.12]	10 [0.35]	20,6 [0.81]	3,2 [0.13]	1,2 [0.05]	1,3 [0.05]	Metric
	<b>V15T22-CZ200A06</b>	22 A (22 A)	22	125 °C	SPDT	Yes	120 [4.23]	20 [0.71]	20,6 [0.81]	3,2 [0.13]	1,2 [0.05]	1,3 [0.05]	Metric



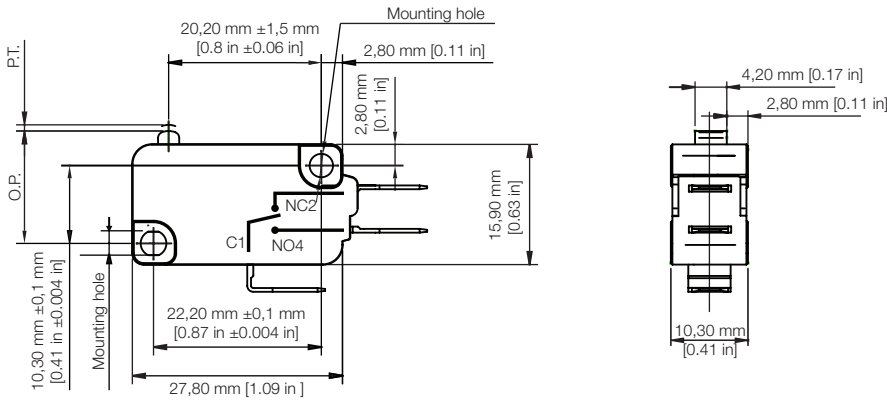
Roller Lever



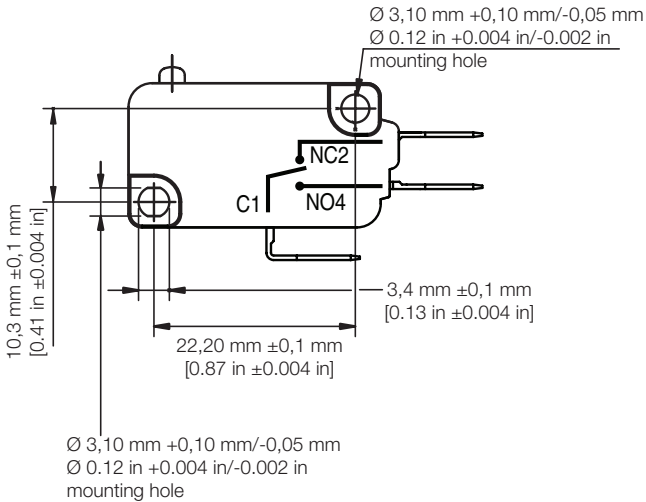
# MICRO SWITCH STANDARD BASIC SWITCHES, V15 SERIES

## MOUNTING DIMENSIONS

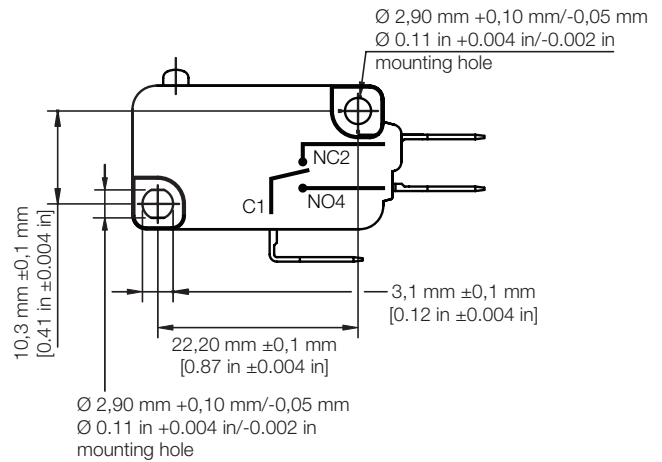
**FIGURE 1. V15 SERIES STANDARD SWITCH DIMENSIONS**



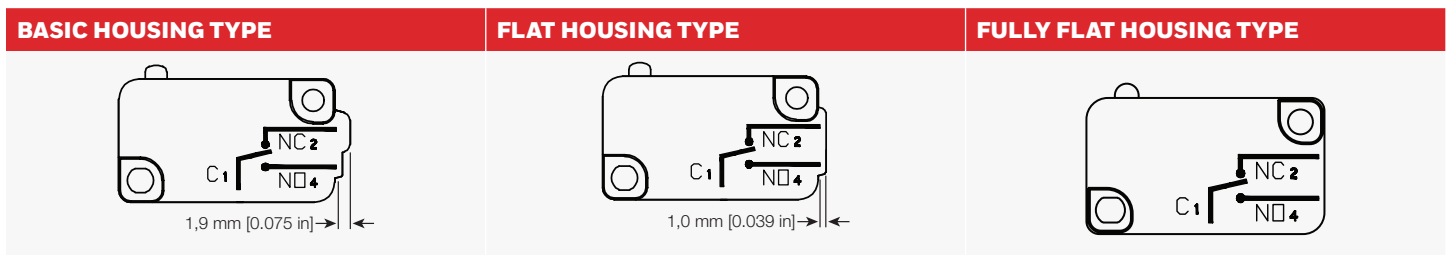
**FIGURE 2. V15 SERIES METRIC MOUNTING HOLE DIMENSIONS FOR Ø 3 MM PINS OR SCREWS**



**FIGURE 3. V15 SERIES USA MOUNTING HOLE DIMENSIONS FOR #4 SCREWS**



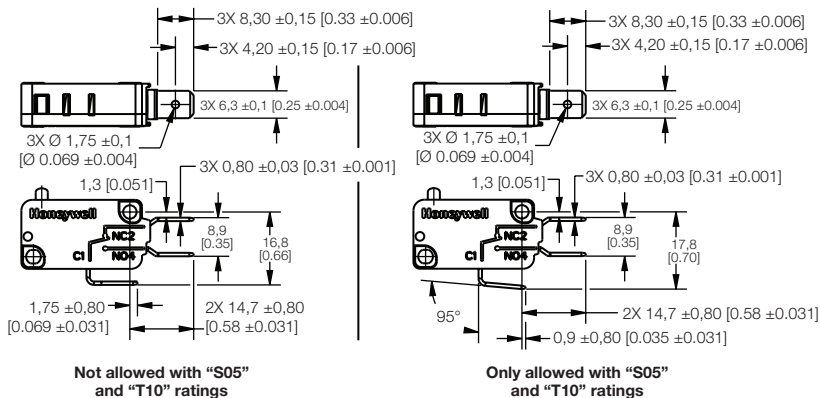
**FIGURE 4. V15 SERIES HOUSING DIMENSIONS**



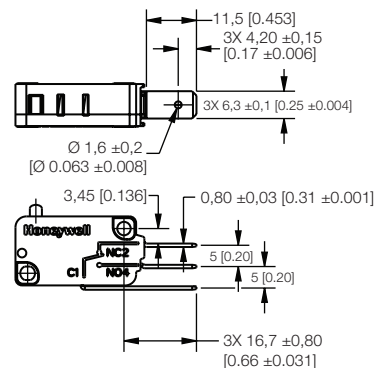
# MICRO SWITCH STANDARD BASIC SWITCHES, V15 SERIES

## CONNECTION DIMENSIONS

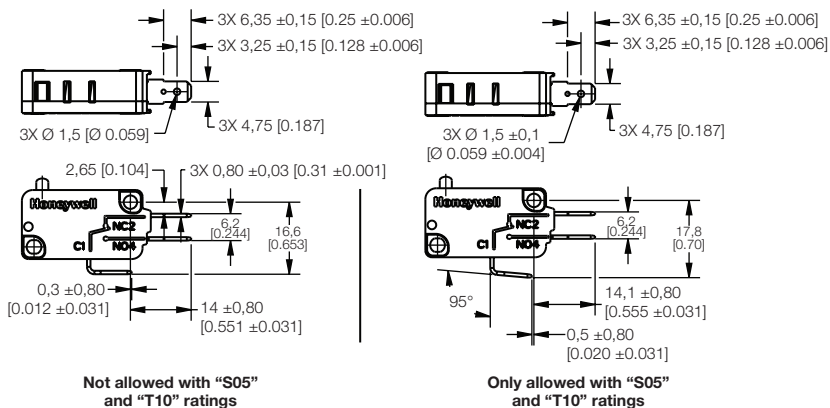
**FIGURE 5. V15 SERIES C-STYLE QUICK CONNECT • 6,35 MM WIDE X 0,8 MM THICK [0.25 IN WIDE X 0.031 IN THICK]**



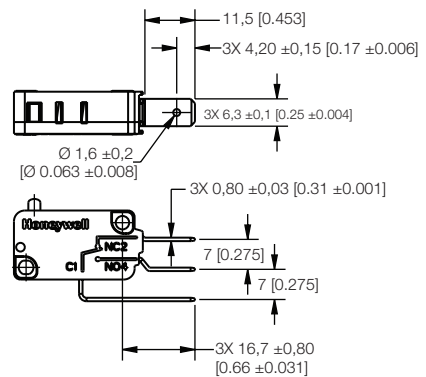
**FIGURE 6. V15 SERIES H-STYLE RAST-5 250# CONNECTOR**



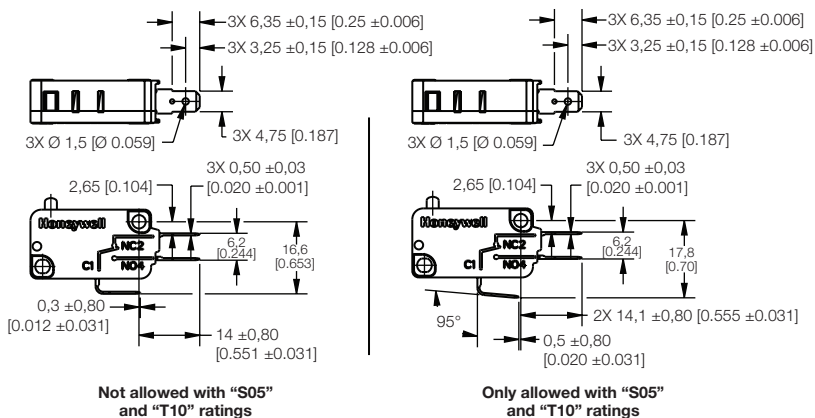
**FIGURE 7. V15 SERIES D-STYLE QUICK CONNECT • 4,80 MM WIDE X 0,8 MM THICK [0.189 IN WIDE X 0.031 IN THICK]**



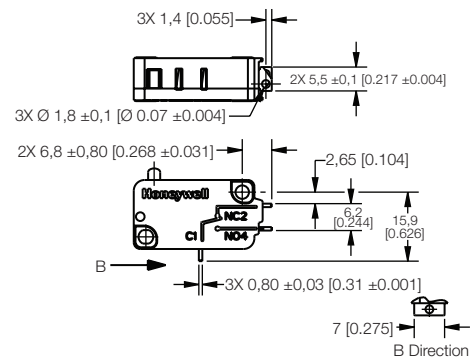
**FIGURE 8. V15 SERIES N-STYLE RAST-7 250# CONNECTOR**



**FIGURE 9. V15 SERIES E-STYLE QUICK CONNECT • 4,80 MM WIDE X 0,5 MM THICK [0.189 IN WIDE X 0.020 IN THICK]**



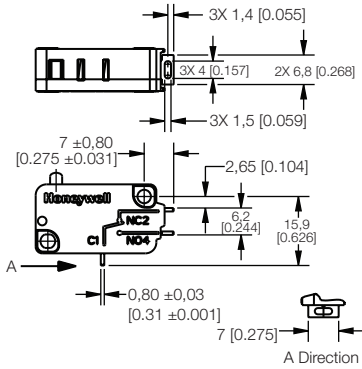
**FIGURE 10. V15 SERIES M-STYLE SHORT SOLDER TERMINAL**



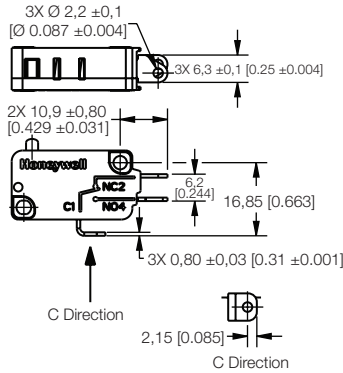
# MICRO SWITCH STANDARD BASIC SWITCHES, V15 SERIES

## CONNECTION DIMENSIONS

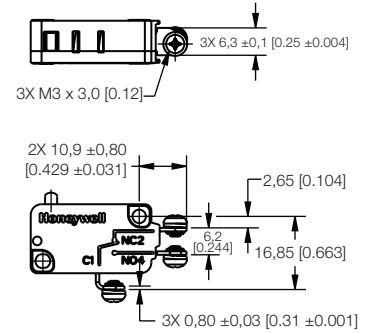
**FIGURE 11. V15 SERIES K-STYLE SLOT-HOLE SOLDER TERMINAL**



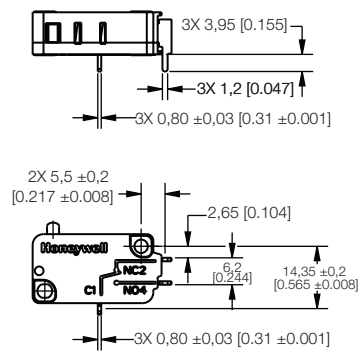
**FIGURE 12. V15 SERIES S-STYLE SOLDER TERMINAL**



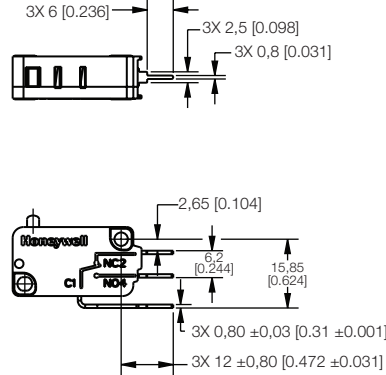
**FIGURE 13. V15 SERIES T-STYLE SCREW TERMINAL**



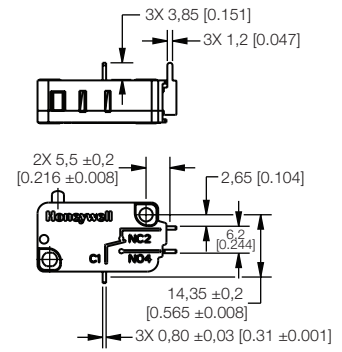
**FIGURE 14. V15 SERIES L-STYLE LEFT-SIDE PCB TERMINAL**



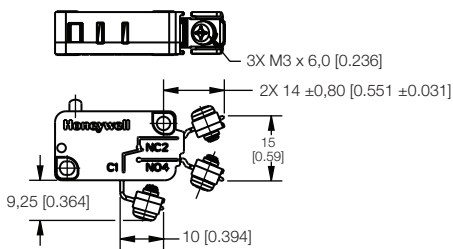
**FIGURE 15. V15 SERIES P-STYLE STRAIGHT PCB TERMINAL**



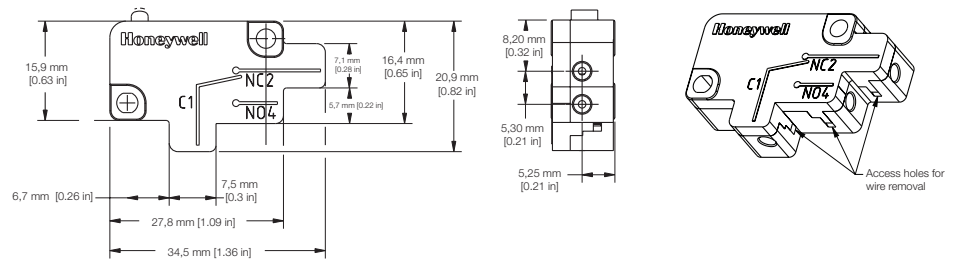
**FIGURE 16. V15 SERIES R-STYLE RIGHT-SIDE PCB TERMINAL**



**FIGURE 17. V15 SERIES F-STYLE SCREW TERMINAL WITH PRESSURE PLATE**



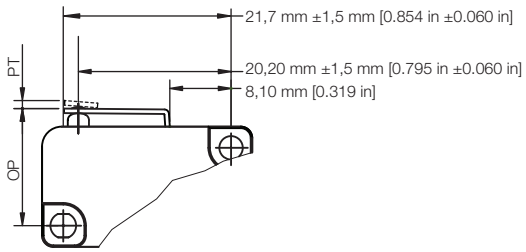
**FIGURE 18. V15 SERIES U-STYLE PUSH-IN TERMINAL (ONLY ALLOWED WITH V15S11)**



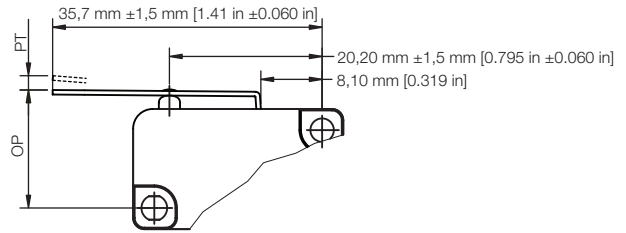
# MICRO SWITCH STANDARD BASIC SWITCHES, V15 SERIES

## STANDARD LEVER OPTIONS • DIMENSIONS

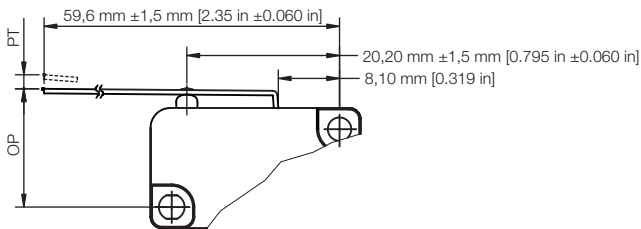
**FIGURE 19. V15 SERIES A01/STRAIGHT SHORT LEVER**



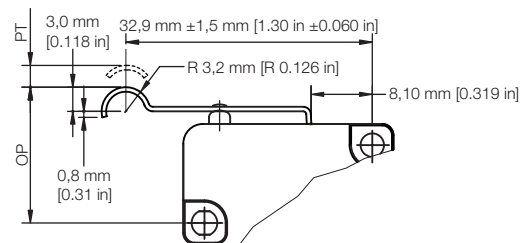
**FIGURE 20. V15 SERIES A02/STANDARD STRAIGHT LEVER**



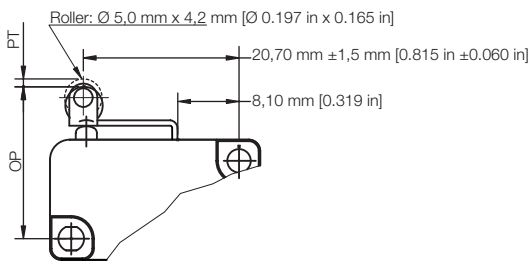
**FIGURE 21. V15 SERIES A03/LONG STRAIGHT LEVER**



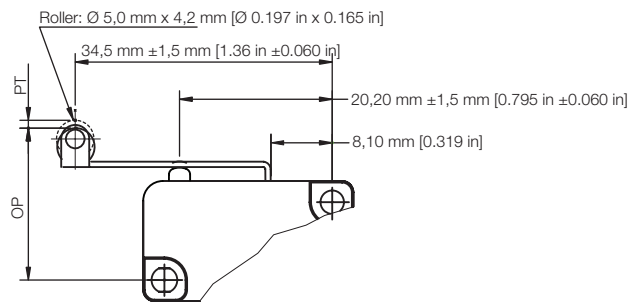
**FIGURE 22. V15 SERIES A04/SIMULATED ROLLER LEVER**



**FIGURE 23. V15 SERIES A05/SHORT ROLLER LEVER**

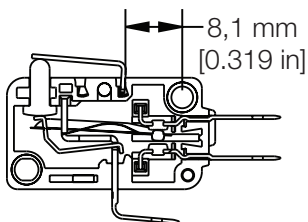


**FIGURE 24. V15 SERIES A06/ROLLER LEVER**

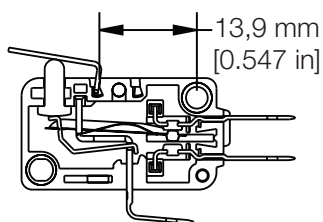


NOTE: These dimensions apply for the "A" lever position. For the "B" lever position, please add 5,7 mm [0.224 in].

**Position A**



**Position B**



## RELATED DOCUMENTATION

The following associated literature is available on the Honeywell web site at [sensing.honeywell.com](http://sensing.honeywell.com):

- Installation instructions
- Product part listing/nomenclature tree
- Product application-specific information
  - Application note: Electronic sensors and electromechanical switches in valves and flow meters
  - Application note: Electronic sensors and MICRO SWITCH switches in industrial air compressors
  - Application note: Sensors and switches for potential HVAC/R applications
  - Application note: Sensors and switches for valve monitors and valve indicators
  - Application note: Sensors and switches in sanitary valves
  - Case study: Switching it up
  - Technical bulletin: Applying precision switches

## FOR MORE INFORMATION

Honeywell Sensing and Internet of Things services its customers through a worldwide network of sales offices and distributors. For application assistance, current specifications, pricing, or the nearest Authorized Distributor, visit [sensing.honeywell.com](http://sensing.honeywell.com) or call:

USA/Canada	+302 613 4491
Latin America	+1 305 805 8188
Europe	+44 1344 238258
Japan	+81 (0) 3-6730-7152
Singapore	+65 6355 2828
Greater China	+86 4006396841

### Honeywell

#### Sensing and Internet of Things

830 East Arapaho Road  
Richardson, TX 75081  
[sensing.honeywell.com](http://sensing.honeywell.com)

## WARRANTY/REMEDY

Honeywell warrants goods of its manufacture as being free of defective materials and faulty workmanship during the applicable warranty period. Honeywell's standard product warranty applies unless agreed to otherwise by Honeywell in writing; please refer to your order acknowledgment or consult your local sales office for specific warranty details. If warranted goods are returned to Honeywell during the period of coverage, Honeywell will repair or replace, at its option, without charge those items that Honeywell, in its sole discretion, finds defective. **The foregoing is buyer's sole remedy and is in lieu of all other warranties, expressed or implied, including those of merchantability and fitness for a particular purpose. In no event shall Honeywell be liable for consequential, special, or indirect damages.**

While Honeywell may provide application assistance personally, through our literature and the Honeywell web site, it is buyer's sole responsibility to determine the suitability of the product in the application.

Specifications may change without notice. The information we supply is believed to be accurate and reliable as of this writing. However, Honeywell assumes no responsibility for its use.

## WARNING IMPROPER INSTALLATION

- Consult with local safety agencies and their requirements when designing a machine-control link, interface and all control elements that affect safety.
- Strictly adhere to all installation instructions.

**Failure to comply with these instructions could result in death or serious injury.**

## WARNING MISUSE OF DOCUMENTATION

- The information presented in this product sheet is for reference only. Do not use this document as a product installation guide.
- Complete installation, operation, and maintenance information is provided in the instructions supplied with each product.

**Failure to comply with these instructions could result in death or serious injury.**

# Mouser Electronics

Authorized Distributor

Click to View Pricing, Inventory, Delivery & Lifecycle Information:

## Honeywell:

[V15T16-EC200](#) [V15T22-EC200](#) [V15T16-EC400-K](#) [V15T22-CZ200](#) [V15T16-EZ200](#) [V15T16-CZ100](#) [V15T16-CP100](#)  
[V15T16-CC100](#) [V15T16-EZ100](#) [V15T16-CZ200A02](#) [V15T16-CZ200A05](#) [V15T16-EZ100A05](#) [V15S05-CZ015-K01](#)  
[V15S05-E1C050-01](#) [V15T16-CZ400](#) [V15T16-CZ300](#) [V15T22-CZ100-K](#) [V15H16-CP400-K](#) [V15T16-CC200-K](#)  
[V15T16-EZ200A03-K](#) [V15H22-CZ400B06-K](#) [V15T22-CP200-K](#) [V15H22-CP200B03-K](#) [V15T22-CZ200-K](#) [V15H22-](#)  
[CP400-K](#) [V15H16-CP400B04-K](#) [V15H22-CP100A02-K](#) [V15T22-CP100-K](#) [V15T26-CC200-K](#) [V15T16-EZ200A06-K](#)  
[V15H22-CP400B03-K](#) [V15H22-CZ400-K](#) [V15T16-EZ200A01-K](#) [V15T16-EZ200A05-K](#) [V15T26-CP200-K](#) [V15T16-](#)  
[EZ200A02-K](#) [V15H22-CZ200B04-K](#) [V15T16-CZ300A06](#) [V15T16-CZ300A03](#) [V15T22-EP200](#) [V15T16-EZ300](#)  
[V15S05-CZ100-01](#) [V15T16-EZ100A06](#) [V15T16-MZ200](#) [V15S05-EZ015-K03](#) [V15S05-EZ025-K](#) [V15H10-CC200A02](#)  
[V15T10-CZ050](#) [V15T22-CP300](#) [V15T26-CP300-01](#) [V15S05-EZ025](#) [V15S05-EZ050-01](#) [V15T16-MP200](#) [V15T16-](#)  
[MZ200A05-01](#) [V15T22-CZ300B05](#) [V15T22-MZ300A06-D](#) [V15S05-EZ200-02](#) [V15T16-CZ300A04](#) [V15T16-DZ400A47](#)  
[V15T16-SP300](#) [V15T22-CZ300B06](#) [V15S05-CZ025](#) [V15T16-CP300A02](#) [V15T16-EZ300A24](#) [V15T16-PZ200-01](#)  
[V15T10-EZ050A03-01](#) [V15T16-LZ100](#) [V15T10-CZ100](#) [V15T16-EZ300A02](#) [V15T16-EZ300A06](#) [V15T22-CP100](#)  
[V15T22-CP200](#) [V15T16-EZ200A01](#) [V15T16-SZ300A05](#) [V15T16-CZ200-09](#) [V15T16-DZ100B02](#) [V15T22-MZ300A05-](#)  
[D](#) [V15S05-EZ025-K01](#) [V15T26-CP200](#) [V15S05-C1Z015B02](#) [V15T16-E1P200](#) [V15T16-CZ200A03](#) [V15S11-](#)  
[HZ200B02](#) [V15T16-SZ100](#) [V15T16-SZ400](#) [V15T16-CZ200A06](#) [V15T16-EZ300B05](#) [V15T22-CC100](#) [V15T16-](#)  
[EZ300A05](#) [V15S05-CP200A06](#) [V15T16-EZ200A05](#) [V15T22-C1P100-01](#) [V15T22-CP300A04](#) [V15T22-CZ100A02](#)  
[V15T26-CP300](#) [V15T16-EZ100A02](#) [V15T22-CZ100](#) [V15T22-CZ300A04](#) [V15S05-E1Z050-01](#) [V15S05-CZ200A05-01](#)