

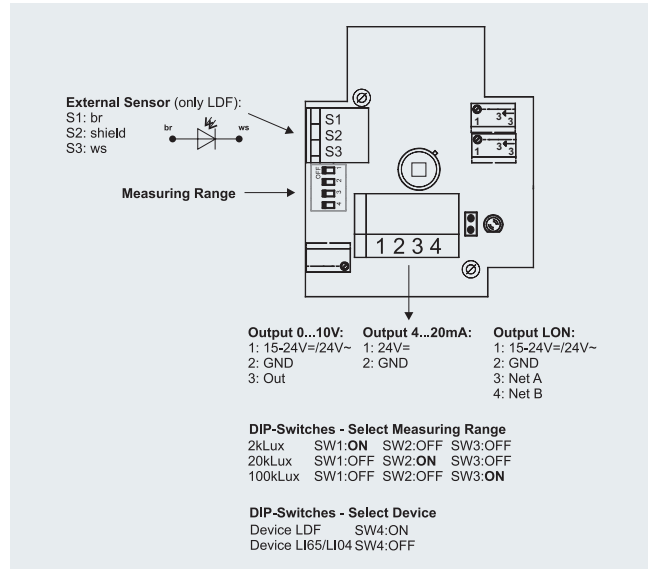
# Outdoor Light Sensor active / LON – Li65 «

## Application

For light detection in room and office spaces etc. Designed to be used with control and monitoring systems. The sensors have an integrated colour filter (green filter) which is adapted to the sensitivity of human eyes.



## Connection



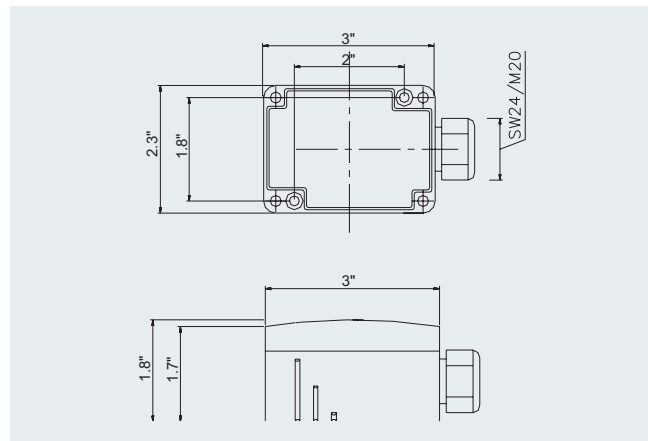
TYPES AVAILABLE	
Type	Model
Li65	A
Li65	V
Li65	LON

TECHNICAL DATA	
Sensor	BPW21
Measuring range	185 fc, 1858 fc, 9290 fc (adjustable via internal DIP-switch)
Accuracy	Typ. ±5% of measuring range
Ambient temperature	-4°F...+158°F
Power supply	A: 15-24V= (±10%) V/LON: 15-24V= (±10%) or 24V~ (±10%)
Power consumption	A: max. 20mA/24V= V: max. 15mA/24V= LON: max. 30mA/24V=
Terminal clamp	Terminal strip, max. 0.05in <sup>2</sup>
Enclosure	Bottom: Material PA6, colour pure white (similar to RAL9010) Cover: Material PC, transparent, with quick release and fastener screws
Cable entry	M20
Protection	NEMA 4
Notice	Other measuring ranges on request



## Dimensional Drawing ("inch)



A / V / LON			
Type	Out	Art. No.	PG1
Li65 A	4-20mA	185783	
Li65 V	0-10V	185776	
Li65 LON	FTX	185745	

ACCESSORY	
Description	Art. No.
Rawlplugs and screws (2 pcs. each)	102209