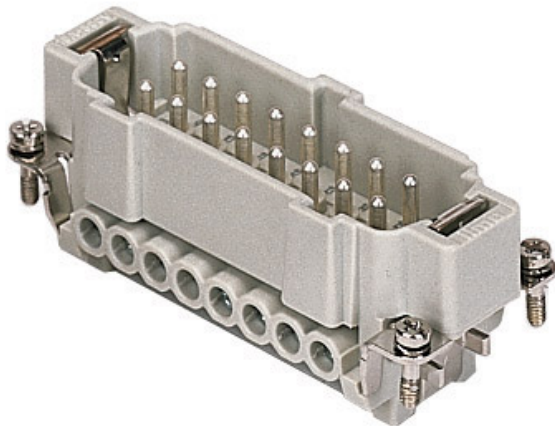




Part number

CNEM 16 T



Brief description:

male insert, 16 poles + PE, screw terminal connections, 16A, 500V, 6kV, 3, silver plated, size "77.27", CLASS insert series

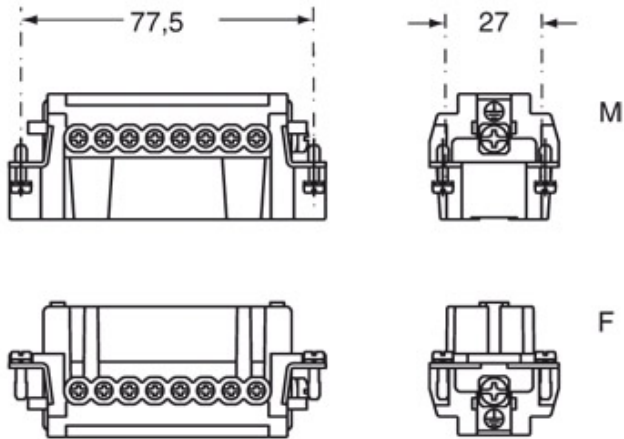
Product description		Approvals / Standards	
Model	male insert	Reference standard	EN 61984:2009-06
Version	screw terminal connections	Quality mark	 DNV-GL, EAC
Series	CNE	Conformity	CQC, CE
Product type	with male contacts	General ordering information	
Variant	with plate	EAN13 code	8015747033060
Family	CLASS inserts	Tariff number	85369095
Size	size "77.27"	Country of origin	Made in EU (IT)
N. of poles	16 poles + 	ETIM classification	EC000438
Technical data		Packaging Information	
Current	16 A	Packaging length	230,00 mm
Voltage	500 V	Packaging height	110,00 mm
Rated impulse withstand voltage	6 kV	Packaging width	180,00 mm
Pollution degree	3	Packaging weight	2,79 kg
Wire cross-section	0,50 mm ² - 4,00 mm ²	Packaging volume	4,55 dm ³
AWG size	20 - 12	Packaging description	Carton box
Operating temperature range (min, max)	-40°C ... +125°C	Packaging quantity	30 Pcs
Contact material	silver plated	Packaging EAN code	8015747033077
Mating cycles	≥ 500	Sub-packaging length	87,00 mm
IP degree of protection	IP20 without enclosure, IP65/IP66/IP68/IP69 with enclosure	Sub-packaging height	36,00 mm
PE terminal stripping length	7 mm	Sub-packaging width	180,00 mm
PE wire cross-section	0,14 - 4 mm ² ; AWG 20 - 12	Sub-packaging weight	0,47 kg
Further technical details		Sub-packaging volume	0,56 dm ³
Characteristics according to EN 61984	16A 500V 6kV 3; 16A 400/690V 6kV 2	Sub-packaging description	Carton tray
Insulation resistance	≥ 10 GΩ	Sub-packaging quantity	5 Pcs
Rated voltage according to UL/CSA	600V	Sub-packaging EAN barcode	8015747033084
UL 94 flammability rating	V-0		
Conductors stripping length	7 mm		
Weight	82,00 g		

Part number

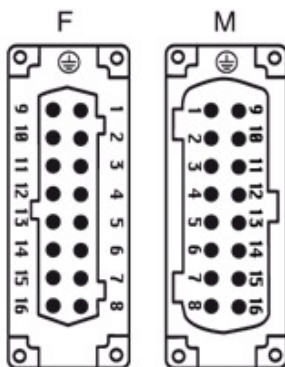
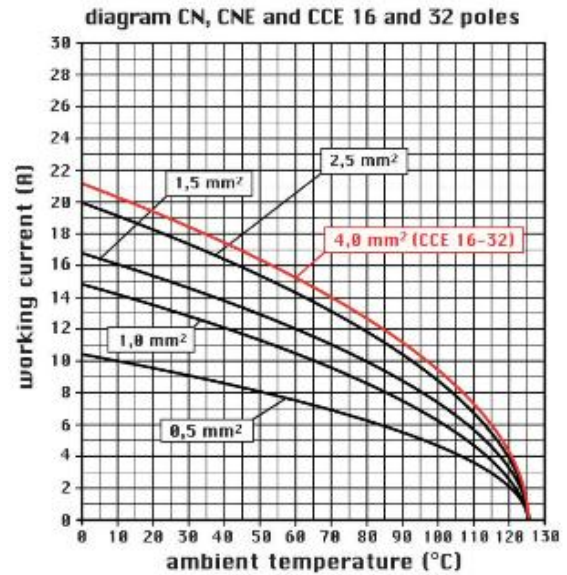
CNEM 16 T



Catalogue drawings



Catalogue drawings



Notes

CNEF/M 16 T inserts:

- characteristics according to EN 61984:
(16A 500V 6kV 3)
(16A 400/690V 6kV 2)
- rated voltage according to UL/CSA: 600V
- insulation resistance: > 10 GOhm
- ambient temperature limit: -40 °C ... +125 °C
- are made of self-extinguishing thermoplastic resin UL 94 V0
- mechanical life: > 500 cycles
- contact resistance: < 1 mOhm
- enclosures: size "77.27":
C-TYPE IP65/IP66
C7 IP67 stainless steel lever

- V-TYPE IP65/IP66
stainless steel lever
- T-TYPE IP65 insulating
- JEI zinc-plated steel lever
- BIG hoods
- W-YPE aggressive environments
- EMC
- central lever
- IP68
- panel supports:
COB

CNE ... : for non-prepared conductors



CNE ... X : for conductors with bush terminal
