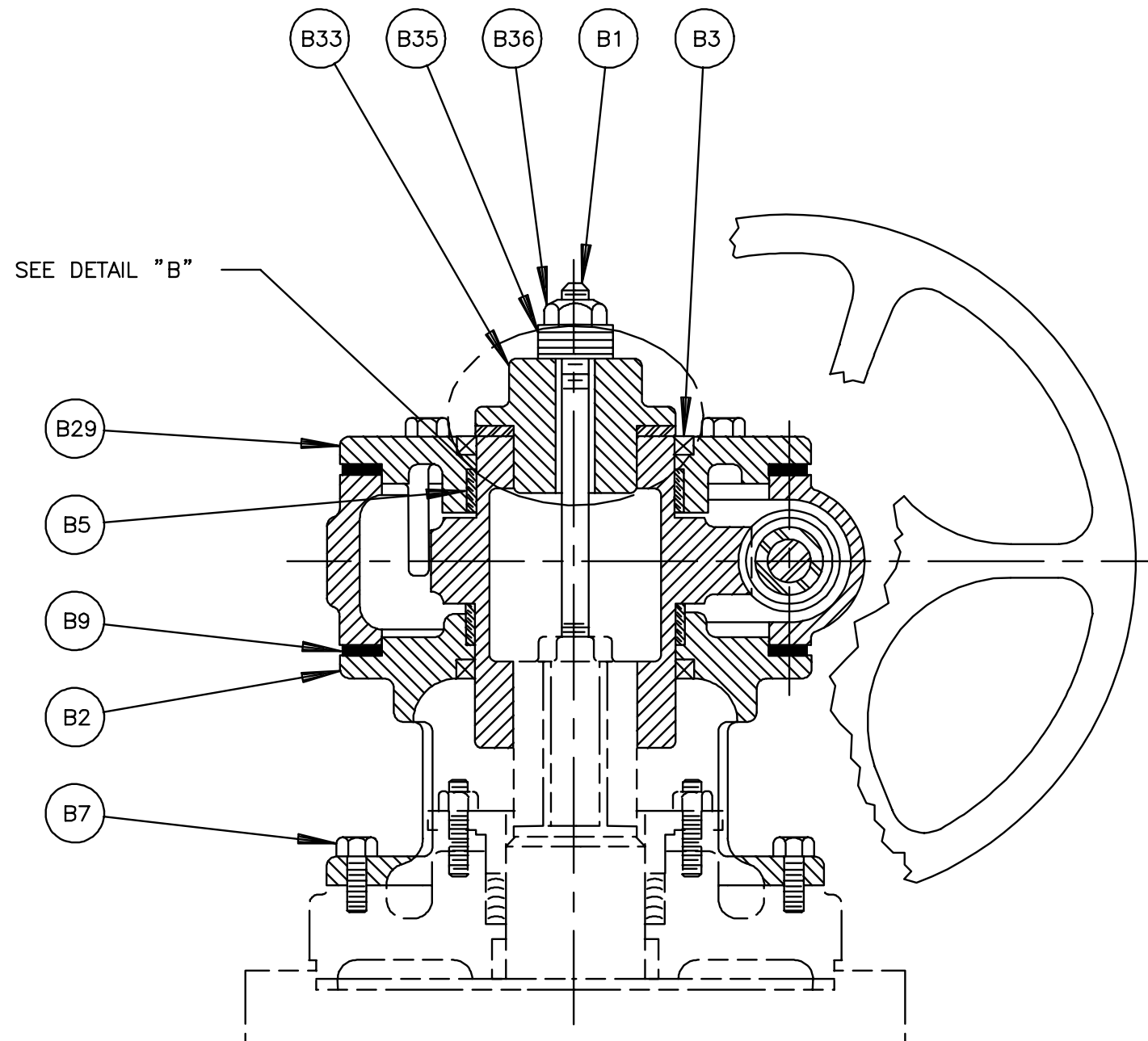
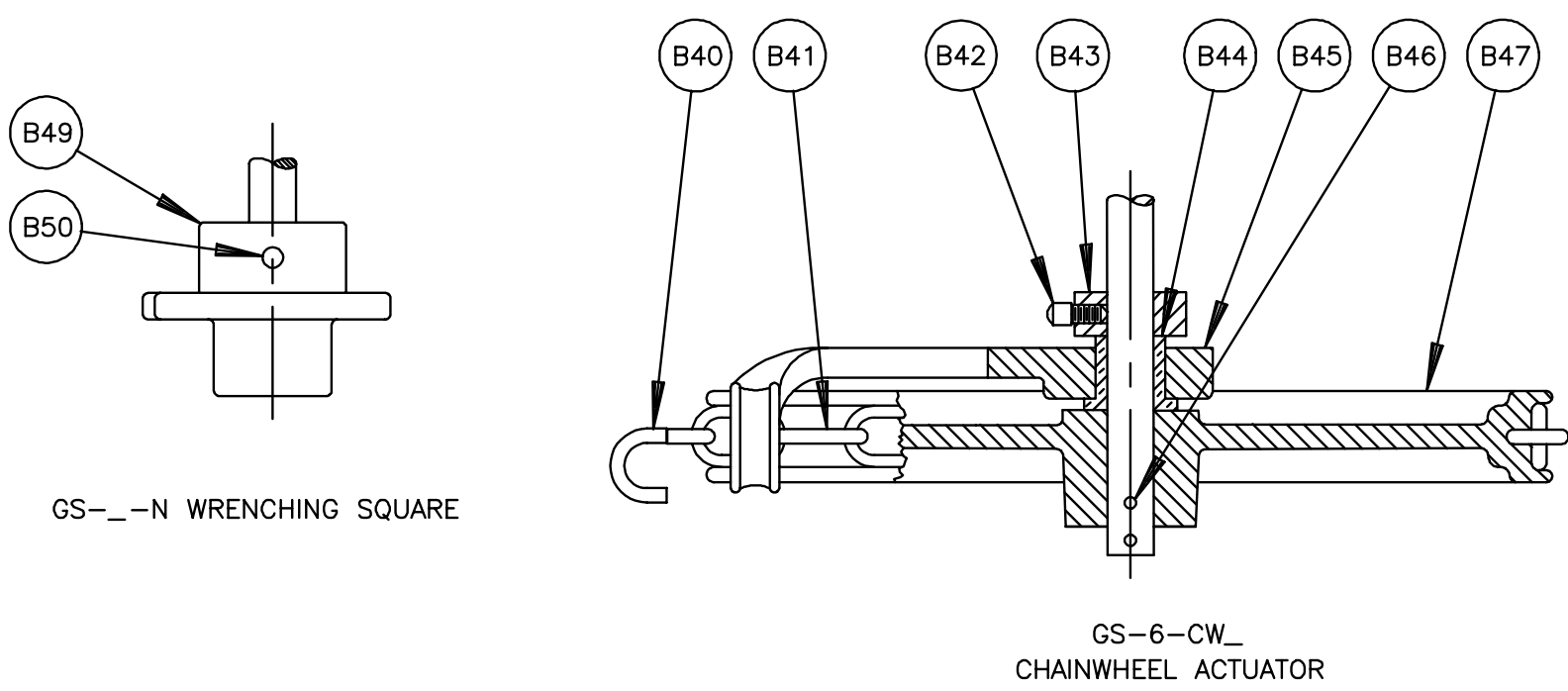
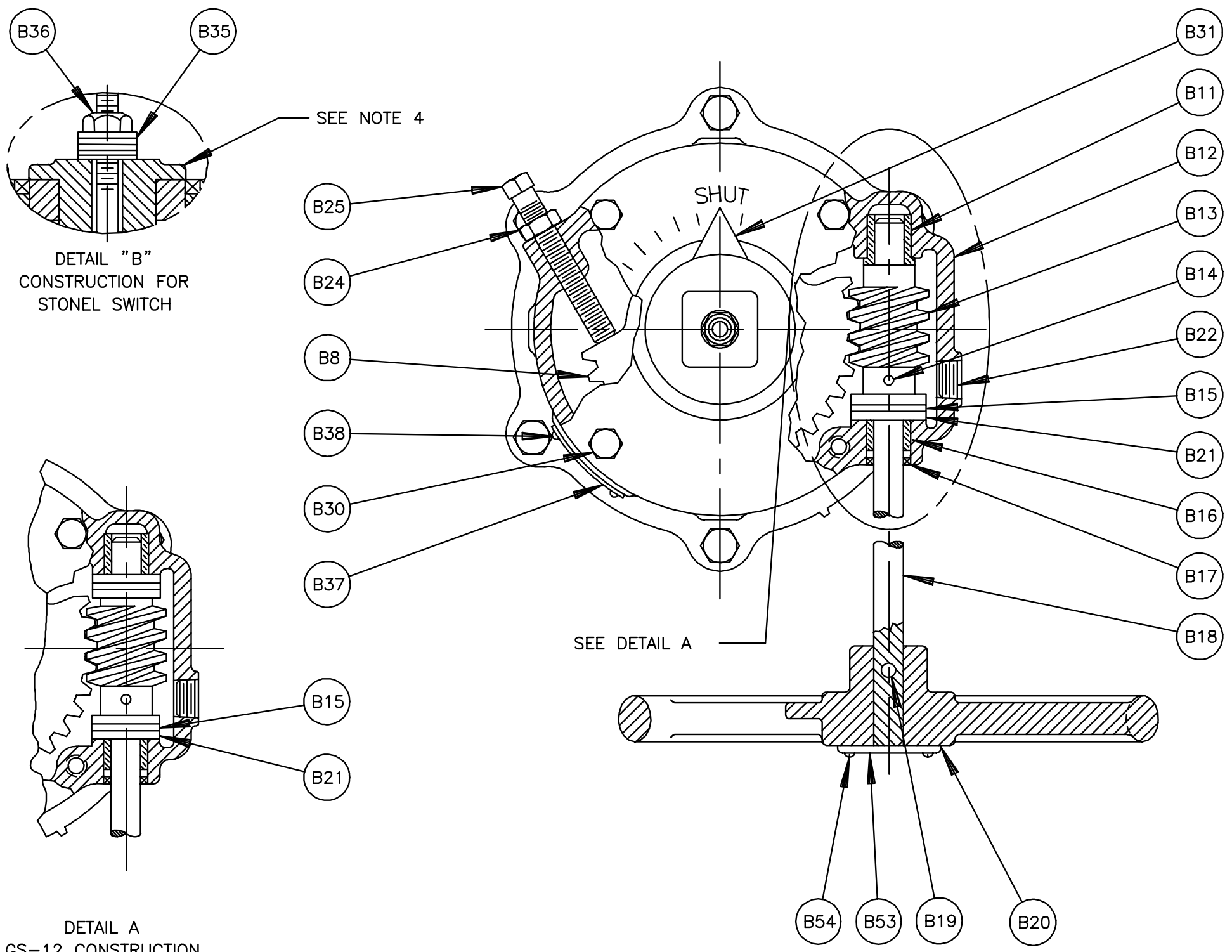


NO	PART NAME	QTY	
B1	STUD	1	
B2	ADAPTOR	1	
B3	SEAL (GEAR SECTOR)	2	
B4			
B5	BEARING	2	
B6			
B7	SCREW	3.5, 4, 4.5, 5, 6, 8.5 & 10 VALVES SEE NOTE 3	NOT REQD
B7	SCREW	6.5, 8, 10.5, 12, 12.5, 14, 14.5, 16, 16.5, 18, 18.5 & 20 VALVES	6
B8	GEAR SECTOR		1
B9	GASKET (HOUSING)		2
B10			
B11	BEARING		1
B12	HOUSING		1
B13	WORM		1
B14	PIN		1
B15	THRUST BEARING (GS-6)		1
B15	THRUST BEARING (GS-12)		2
B16	BEARING		1
B17	SEAL (HOUSING)		1
B18	DRIVE SHAFT		1
B19	PIN		1
B20	HANDWHEEL		1
B21	BEARING RACE (GS-6)		2
B21	BEARING RACE (GS-12)		4
B22	PIPE PLUG		1
B23			
B24	JAM NUT		1
B25	SET SCREW		1
B26			
B27			
B28			
B29	COVER		1
B30	SCREW		8
B31	POINTER		1
B32			
B33	WRENCHING SQUARE (SEE NOTE 4)		1
B34			
B35	SPRING WASHER		5
B36	LOCK NUT		1
B37	DATA PLATE		1
B38	DRIVE SCREW		2
B39			
B40	CLOSING LINK		1
B41	CHAIN		-
B42	SET SCREW (SB16 OPTION ONLY)		1
B43	COLLAR & SET SCREW (CHAINWHEEL)		1
B44	BEARING		1
B45	CHAIN GUIDE		1
B46	PIN		2
B47	CHAINWHEEL (GS-6)		1
B48			
B49	WRENCHING SQUARE		1
B50	PIN		1
B51			
B52			
B53	OPEN TAG (24" HANDWHEELS ONLY)		1
B54	DRIVE SCREW (24" HANDWHEELS ONLY)		2

- NOTE:
1. RECOMMENDED SPARE PARTS ARE ITEMS NUMBER B3, B9 & B17.
 2. WHEN ORDERING PARTS, SPECIFY VALVE SIZE AND MODEL NUMBER FROM DATA PLATE, ALSO GIVE DRAWING NUMBER WITH PART NAME ITEM NUMBER AND QUANTITY.
 3. ITEM NUMBER B7 IS NOT REQUIRED ON THE 3.5, 4, 4.5, 5, 6, 8.5 & 10 VALVES USE BONNET SCREWS ON BODY ASSEMBLY TO MOUNT ACTUATOR TO VALVE.
 4. WHEN STONEL SWITCH IS USED, ITEM B33, WRENCHING SQUARE IS REPLACED BY A STUD SUPPORT.



L	61668	10/13/08	K	61398	03/24/06	J	60075	02/22/01	H	54620	04/28/99	G	54230	04/09/98	F	53449	12/23/96	E	53132	06/23/95	D	52951	12/01/94	C	52699	02/25/94	B	51744	06/15/92	A	51112	03/04/81
---	-------	----------	---	-------	----------	---	-------	----------	---	-------	----------	---	-------	----------	---	-------	----------	---	-------	----------	---	-------	----------	---	-------	----------	---	-------	----------	---	-------	----------

DeZURIK
Sartell, MN USA 56377
www.dezurik.com

GS-6 WITH HANDWHEEL, CHAINWHEEL AND NUT ACTUATORS OR GS-12 WITH HANDWHEEL AND NUT FOR USE WITH ECCENTRIC VALVES

DOCT. CODE	DRAWN	APPROVED	A22553
C1	CHECKED RJP	BOOS DATE 10-30-81	