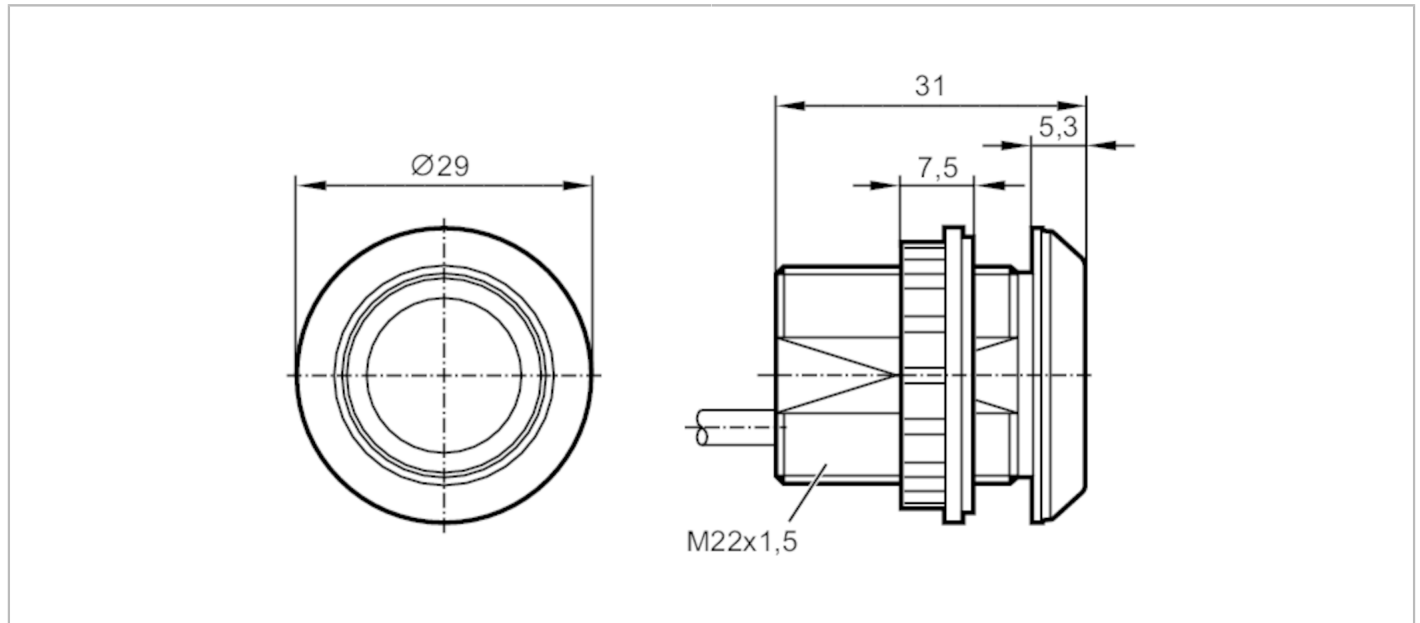


KT5111



Capacitive illuminated pushbutton

KTMDF-KGRBPKG/2M



Product characteristics	
Electrical design	PNP
Output function	normally open
Dimensions [mm]	Ø 29 / L = 31
Application	
Principle of operation	dynamic
Electrical data	
Operating voltage [V]	12...30 DC
Current consumption [mA]	30
Protection class	III
Reverse polarity protection	yes
Max. power-on delay time [ms]	500
Outputs	
Electrical design	PNP
Output function	normally open
Permanent current rating of switching output DC [mA]	200
Short-circuit protection	yes
Overload protection	yes
Length of output signal [ms]	300
Reaction times	
Response time [ms]	35
Operating conditions	
Ambient temperature [°C]	-40...85
Protection	IP 65; IP 67; IP 69K; (on the front)

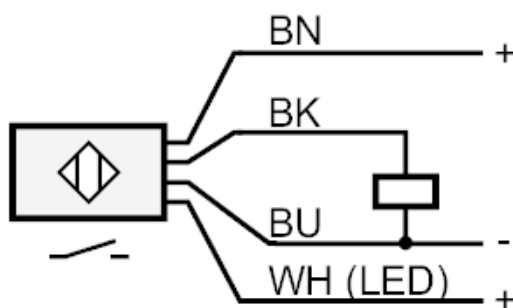
KT5111



Capacitive illuminated pushbutton

KTMDF-KGRBPKG/2M

Tests / approvals		
EMC	IEC 61000-4	
MTTF [years]		531
Mechanical data		
Weight [g]		98.5
Dimensions [mm]		Ø 29 / L = 31
Material	PA 6.6-GF30 black; actuating surface: PA Grilamid TR 90UV	
Displays / operating elements		
Display	Switching status	1 x LED, red
	Function	1 x LED, green can be triggered
Accessories		
Items supplied		lock nuts: 1
		Gasket: 1
Accessories (optional)		Symbol disc
Remarks		
Pack quantity		1 pcs.
Electrical connection		
Cable: 2 m, PUR		
Connection		



Core colors :

BK =	black
BN =	brown
BU =	blue
WH =	white