

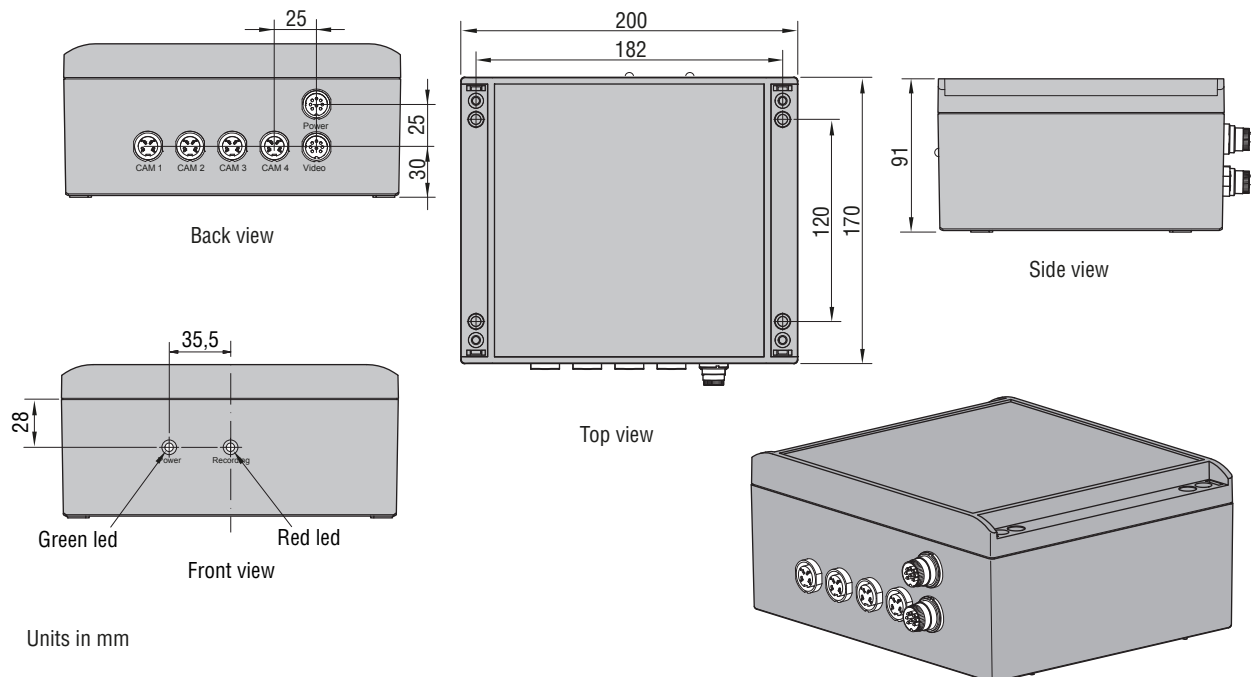
Vision is  
our mission®

DVR-Multiview  
Article no. 0000250  
2019 • DS0963120 EN A 05

# Product Data



## Dimensions



# TECHNICAL DATA

## DVR-multiview

### Article number

### Description

**0000250**

### Description

Digital video recorder with 4 camera inputs and 1 camera output. The DVR-Multiview records the 4 camera inputs individually on the enclosed memory card. The recorded video files can be watched on a PC.

### Video input

PAL/NTSC.

### File format

MP4 (H264), Video will play cross platform on most players but for optimal playback results we recommend VLC player.

### Power input

9...30V/DC, automatic start up by power up.

### Power consumption

Max 12W (0 cameras), max 36W (4 cameras).

### Transient protection

Protected against reverse voltage, output short circuit and overvoltage.

### Connectors

Video in: 4 female 4-pin connector, video out: male 7-pin connector, Power: male 8-pin connector.

### Power cable

3,85m with 8p female connector is included (Art. no. 8975850).

### Inrush current

Max 7A.

### Electrical

### Mechanical

### Operating Temperature

-40°C. to +85°C.

### Storage Temperature

-50°C. to +85°C.

### Temperature Classification

Class I (Automotive Industry General Temperature Classifications).

### Thermal shock

Rapid changes in temperature (5 thermal shock cycles).

### Included

Connector covers; 3x video.

### Recording media

Included: memory SD card, Extreme plus, 80MB/s, 128 GB.

### Housing

Aluminium, powder coated, color grey.

### Protection

IP67 according IEC60529.

### Weight

2,1kg.

### Approvals

EMC certified, ROHS and REACH compliant

### Installation

See System Manual: **SM0974160**

### Use

See User Manual: **UM0972210**

### Electrical connections

Connector 4p female to camera

1 = Video in

2 = Video GND

3 = Power out = 9...32V/DC

4 = Power GND



Front view

**Video (video out)**

Connector 7p male to monitor

1 = Coax core = Video out

2 = Coax shielding = Video GND

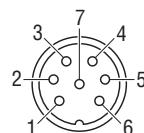
3 = Red = Power (switched) in

4 = Black = GND

5 = Orange = RS232 Tx Out

6 = Yellow = RS232 Rx In

7 = Gray = N.C.



Camera connector  
7p male  
Front view

Connector 8p male

1 = Red = Power (continue) in

2 = White = GND

3 = Blue = Power (switched) in

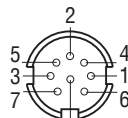
4 = Brown = Channel 2

5 = White/Yellow = Channel 3

6 = Grey = Channel 4

7 = Yellow = Channel 5 (Quad)

8 = N.C.



Front view

All data subject to change without notice. All dimensions are for commercial purpose only.

The camera/display systems from Orlaco comply with the latest CE, ADR, EMC and mirror-directive regulations, where applicable.

All products are manufactured in accordance with the ISO 9001 quality management system, IATF 16949 quality automotive, ISO 14001 environmental management systems and all Ex products with the IECEx scheme and ATEX directives, where applicable.



# ORLACO

Specialised Camera Solutions

[www.orlaco.com](http://www.orlaco.com)