

## Heavy-Duty Float Level Switch

for Start/Stop Pump Control



measuring  
•  
monitoring  
•  
analyzing

NEC



- Polypropylene or Hypalon®-Coated Floats w/PEC Clad Cables
- Unique, Isolated-Chamber Float Design
- SPDT Mechanical Switch (Mercury-Free)
- Max. Temperature: 185 °F / 194 °F
- Max. Pressure: 50 PSIG / 58 PSIG



KOBOLD companies worldwide:

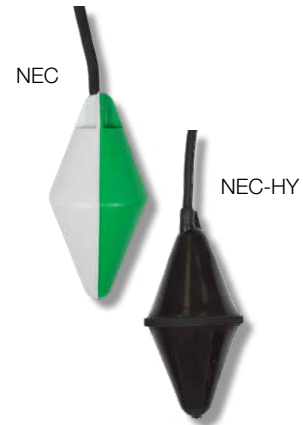
ARGENTINA, AUSTRALIA, AUSTRIA, BELGIUM, BULGARIA, CANADA, CHILE, CHINA, COLOMBIA, CZECH REPUBLIC, EGYPT, FRANCE, GERMANY, HUNGARY, INDIA, INDONESIA, ITALY, MALAYSIA, MEXICO, NETHERLANDS, PERU, POLAND, REPUBLIC OF KOREA, ROMANIA, SINGAPORE, SPAIN, SWITZERLAND, TAIWAN, THAILAND, TUNISIA, TURKEY, UNITED KINGDOM, USA, VIETNAM

KOBOLD Instruments, Inc.  
1801 Parkway View Drive  
Pittsburgh, PA 15205  
☎ Main Office:  
1.800.998.1020  
1.412.788.4890  
✉ info@koboldusa.com  
www.koboldusa.com



**Description**

The KOBOLD NEC Series float level switch for liquids provides mercury-free level switching for tank applications requiring high current capability. With such capacities, pumps may be directly controlled in many applications. The body of this float-type, heavy-duty, tilt level switch is constructed of industrial-quality polypropylene, and can be supplied with optional Hypalon® coating for superior chemical resistance. Additionally, a five-isolated-chamber design makes this float level switch almost impossible to sink. It is supplied with an adjustable ballast weight for easy installation into open tanks and a 16' or 30' cable. Extended cable lengths are available on request.



**Specifications**

**Float Material**

**NEC:** Polypropylene, Multi-Chamber Design  
**NEC-HY:** Polypropylene with Vulcanized Hypalon® (Polyethylene Chloride) Elastomer Coating

**Cable:** 16' or 30' PEC Cladding (3-conductor)  
 (Longer Cables Available on Request)

**Ballast (Weight):** Included, Adjustable on Cable,  
 Loaded Resin Material

**Max. Pressure**

**NEC:** 50 PSIG (3.5 bar)  
**NEC-HY:** 58 PSIG (4 bar)

**Max. Temperature**

**NEC:** 185 °F (85 °C)  
**NEC-HY:** 194 °F (90 °C)

**Media Density**

**NEC:** 0.7...1.15 SG (kg/dm³)  
**NEC-HY:** 0.8...1.10 SG (kg/dm³)

**Contact:** SPDT Mechanical Switch Changeover,  
 Connectable as N/O or N/C,  
 Mercury Free

**Switch Capacity:** Max. 250 VAC 50/60 Hz,  
 16A Resistive Load, 6A Inductive Load

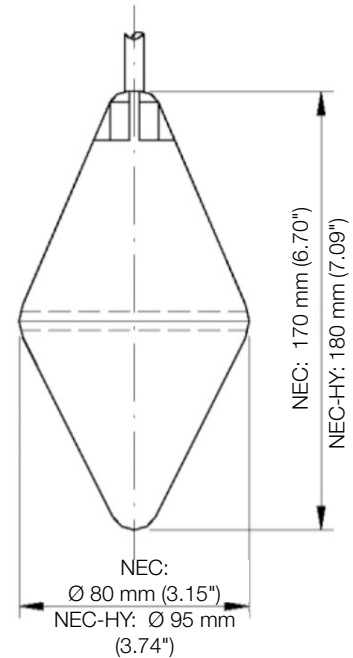
**Weight**

**NEC:** Approx. 1.8 lb (0.82 kg) with 16' Cable,  
 Plus Ballast Weight of 0.55 lb (0.25 kg)  
**NEC-HY:** Approx. 1.9 lb (0.85 kg) with 16' Cable,  
 Plus Ballast Weight of 0.55 lb (0.25 kg)

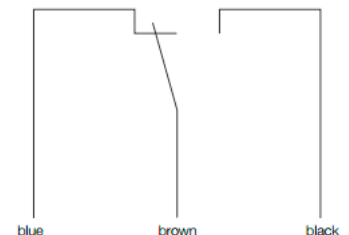
**Switching Angle:** Approx. +25° to Activate, -25° to Deactivate  
 (Angles vary per installation, comparison use only)

**Protection Class:** IP 68

**Dimensions**



**Electrical Connection**



**Order Details**

Model	Description
NEC-930	Double Cone Float, 16' PEC Cable
NEC-930N10	Double Cone Float, 30' PEC Cable
NEC-HY930	Hypalon® Coated Double Cone Float, 16' PEC Cable
NEC-HY930N10	Hypalon® Coated Double Cone Float, 30' PEC Cable

\*Hypalon is a registered TM of E.I. Dupont de Nemours  
 \*\*Longer cable lengths are available upon request, consult factory