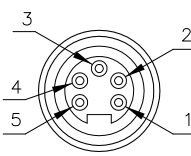
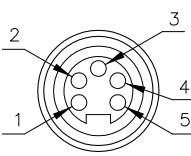
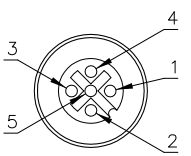
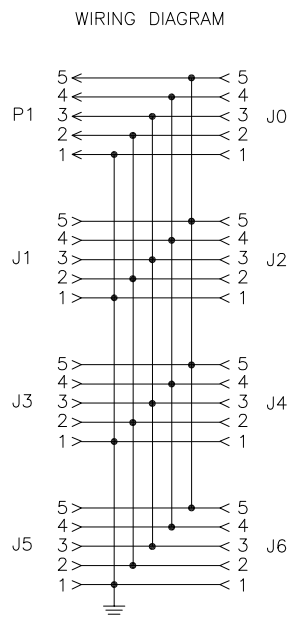
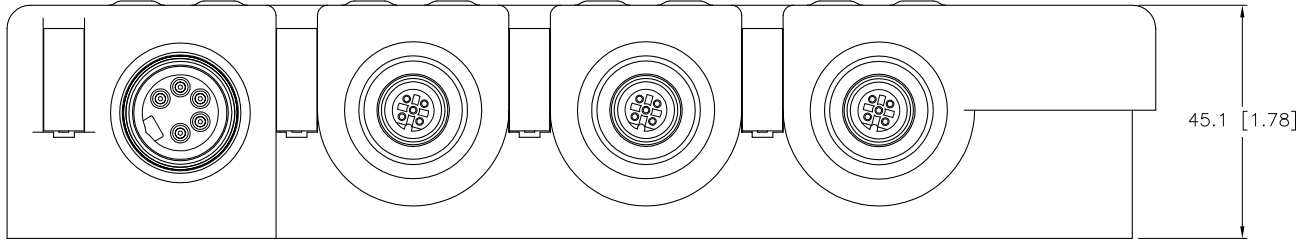
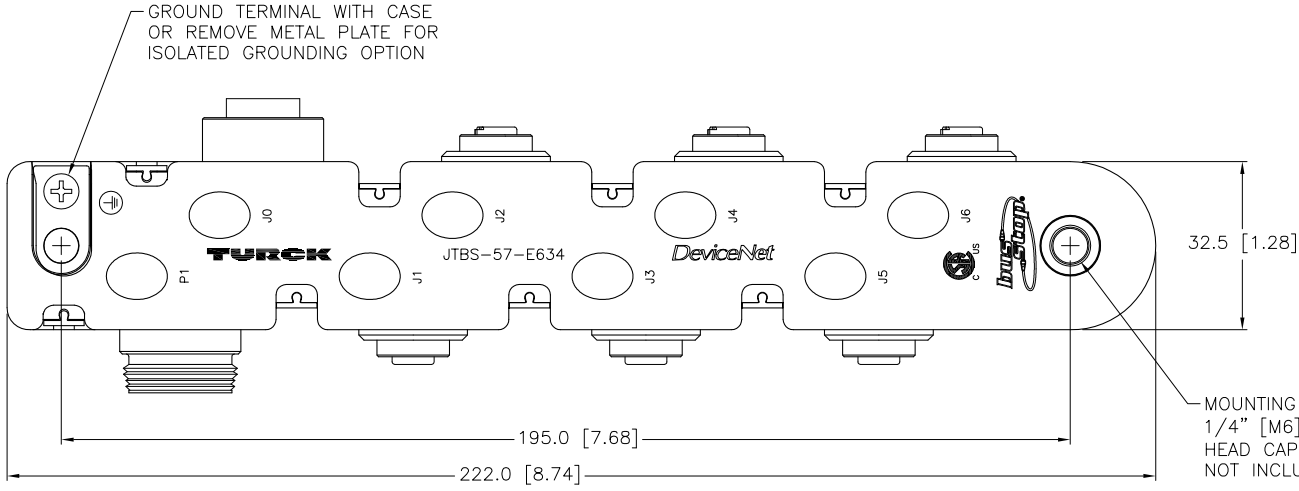
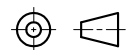


MALE (P1) CONNECTOR	FEMALE (J0) CONNECTOR	FEMALE (J1-J6) CONNECTORS	SPECIFICATIONS																
 <p>1 = (SHIELD) 2 = (+ VOLTAGE) 3 = (- VOLTAGE) 4 = (CAN_H) 5 = (CAN_L)</p>	 <p>1 = (SHIELD) 2 = (+ VOLTAGE) 3 = (- VOLTAGE) 4 = (CAN_H) 5 = (CAN_L)</p>	 <p>1 = (SHIELD) 2 = (+ VOLTAGE) 3 = (- VOLTAGE) 4 = (CAN_H) 5 = (CAN_L)</p>	<table border="1"> <tr><td>HOUSING MATERIAL/COLOR</td><td>TPU/BLACK</td></tr> <tr><td>RECEPTACLE HOUSING/PLATING</td><td>BRASS/NICKEL</td></tr> <tr><td>CONTACT CARRIERS</td><td>TPU (P1,P0), NYLON (J1-J6)</td></tr> <tr><td>CONTACT MATERIAL/PLATING</td><td>BRASS/GOLD</td></tr> <tr><td>OPERATING VOLTAGE</td><td>300V</td></tr> <tr><td>OPERATING CURRENT</td><td>4.0 A PER CONNECTOR</td></tr> <tr><td>PROTECTION CLASS</td><td>NEMA 1,3,4,6,13 AND IEC IP67</td></tr> <tr><td>OPERATING TEMPERATURE</td><td>-30°C to 80°C (-22°F to 176°F)</td></tr> </table>	HOUSING MATERIAL/COLOR	TPU/BLACK	RECEPTACLE HOUSING/PLATING	BRASS/NICKEL	CONTACT CARRIERS	TPU (P1,P0), NYLON (J1-J6)	CONTACT MATERIAL/PLATING	BRASS/GOLD	OPERATING VOLTAGE	300V	OPERATING CURRENT	4.0 A PER CONNECTOR	PROTECTION CLASS	NEMA 1,3,4,6,13 AND IEC IP67	OPERATING TEMPERATURE	-30°C to 80°C (-22°F to 176°F)
HOUSING MATERIAL/COLOR	TPU/BLACK																		
RECEPTACLE HOUSING/PLATING	BRASS/NICKEL																		
CONTACT CARRIERS	TPU (P1,P0), NYLON (J1-J6)																		
CONTACT MATERIAL/PLATING	BRASS/GOLD																		
OPERATING VOLTAGE	300V																		
OPERATING CURRENT	4.0 A PER CONNECTOR																		
PROTECTION CLASS	NEMA 1,3,4,6,13 AND IEC IP67																		
OPERATING TEMPERATURE	-30°C to 80°C (-22°F to 176°F)																		



RELATED DOCUMENTS		3RD ANGLE PROJECTION		THIS DRAWING IS CONFIDENTIAL AND THE PROPERTY OF TURCK INC. USE OF THIS DOCUMENT WITHOUT WRITTEN PERMISSION IS PROHIBITED.		<b>TURCK INC</b> <i>High Technology Sensors and Automation Controls</i> 3000 CAMPUS DRIVE MINNEAPOLIS, MN 55441 1-800-544-7769 (763) 553-7300 (763) 553-0708 fax turck.com	
1.			DRFT	RDS	DATE	02/15/02	DESCRIPTION JTBS-57-E634
2.			APVD	GC	SCALE	1=1.5	
3.		ALL DIMENSIONS DISPLAYED ON THIS DRAWING ARE FOR REFERENCE ONLY  CONTACT TURCK FOR MORE INFORMATION	UNIT OF MEASUREMENT		IDENTIFICATION NO.		REV
4.			MILLIMETER [ INCH ]		U7864-64		E
E	UPDATE GROUND TERMINAL	KMY	10/26/11	36879	DO NOT SCALE THIS DRAWING		FILE: U7864-64
REV	DESCRIPTION	BY	DATE	ECO NO.	SHEET 1 OF 1		