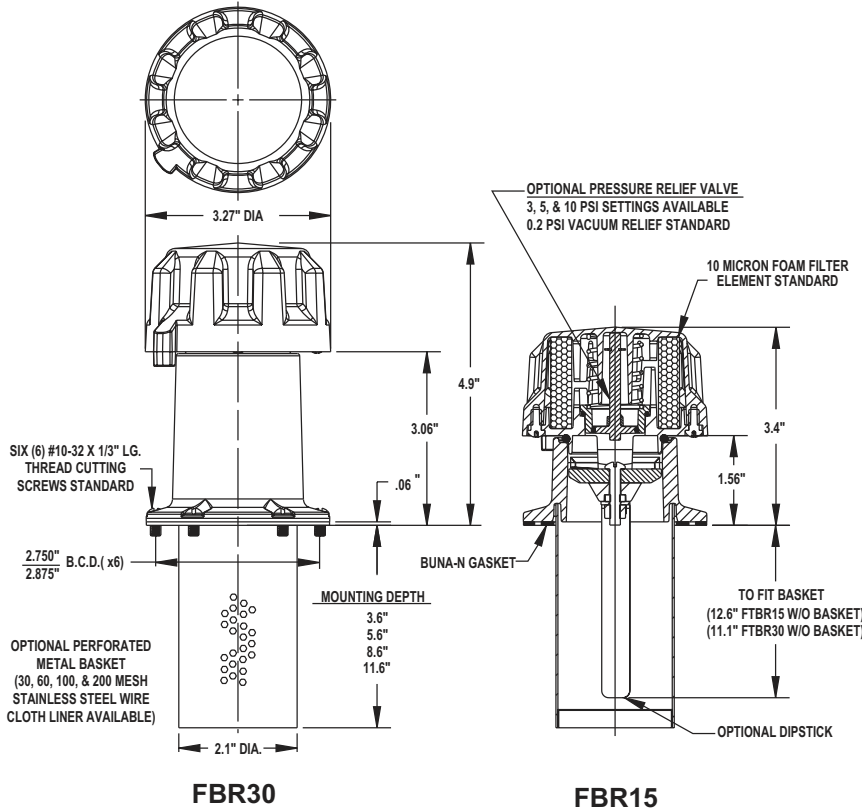


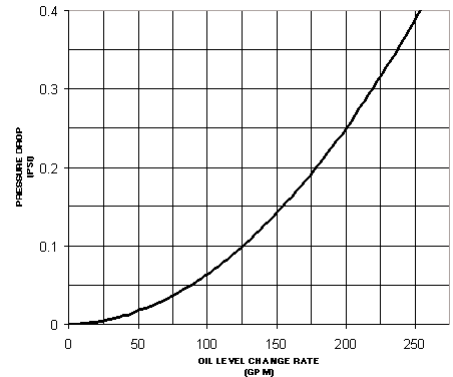
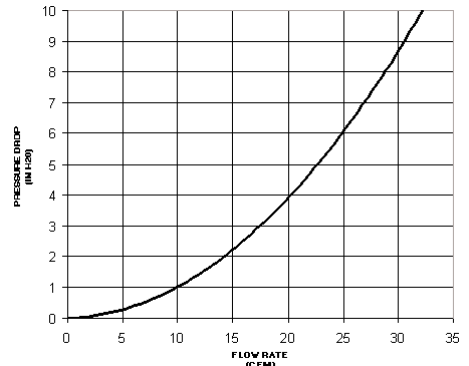
FBR SERIES RAISED FILLER BREATHERS



- 1 1/2" and 3" Risers
- 10 Micron Foam Filter Element
- Cap To Base Chain Connection
- Aluminum and Nylon Cover Options
- Wire Mesh Lined Basket Available



Average Pressure Drop Through Assembly Without Relief Valve



ACCESSORIES

HOW TO ORDER: FBRXX - 10 - XX - X - XX - X - X

Code	Riser Height
15	1 1/2"
30	3"

10 Micron Foam Filter Element Standard

Code	Mounting Depth
00	No Basket
04	3.61 Inches
06	5.61 Inches
09	8.61 Inches
12	11.61 Inches

Code	Liner Mesh
0	No Mesh
1	100 Mesh
2	200 Mesh
3	30 Mesh
6	60 Mesh

Code	Cover Options
0	Aluminum Cover (Std.)
N	Nylon Plastic Cover (Black)

Code	Dipstick Options
0	No Dipstick
D	To Fit Basket (see above)

Code	Pressure Relief Valve Settings
00	No Valve
03	3 PSI
05	5 PSI
10	10 PSI

