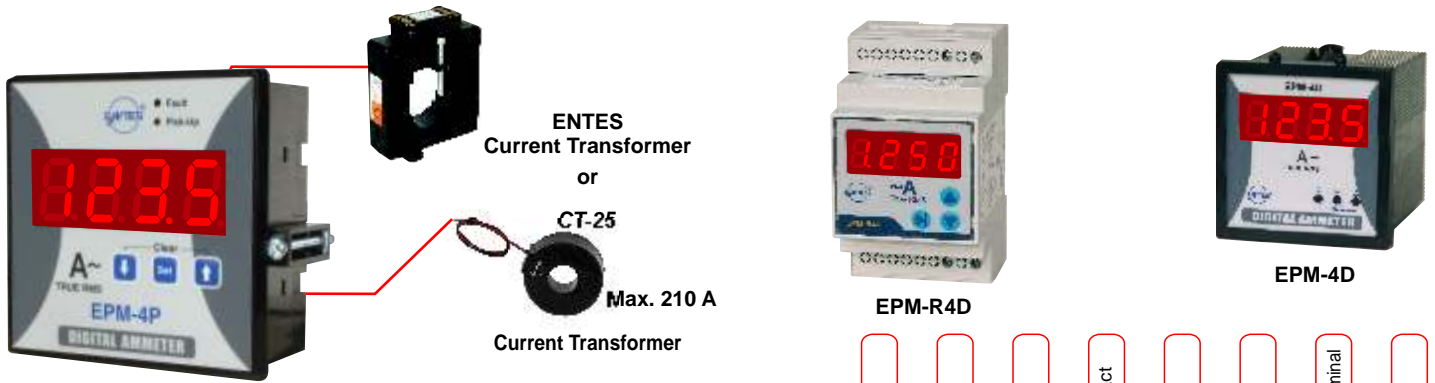


DIGITAL AMMETERS EPM / EPM-R Series



KEMA CE EPM-4P-96 (SLIM)

Product Code


Product Code	Description	CT-25	.../5A	Demand	Output Contact	Flush Mount	Rail Mount	Fixed Cur. Terminal	pcs / carton
EPM-4A -72	Direct Ammeter with CT-25 (210A) (CT-25 included)	●	●	●		●			16
EPM-4A -96	Direct Ammeter with CT-25 (210A) (CT-25 included)	●	●	●		●			12
EPM-4C -48	Ammeter (with Output Contact)	●	●	●	●	●			20
EPM-4C -72	Ammeter (with Output Contact)	●	●	●	●	●			16
EPM-4C -96	Ammeter (with Output Contact)	●	●	●	●	●			12
EPM-4C-OG -96	Ammeter with Output Contact (for MV applications)		●	●	●	●		●	12
EPM-4D -48	Ammeter		●	●		●			20
EPM-4D -72	Ammeter		●	●		●			16
EPM-4D -96	Ammeter		●	●		●			12
EPM-4P -96	Ammeter	●	●	●	●	●			12
EPM-R4C	Ammeter with Output Contact (Rail Mount)		●	●	●		●		16
EPM-R4D	Ammeter (Rail Mount)		●	●			●		16

Current TRANSFORMER (For ENTES panelmeters)

CT-25

Primary : 210A / Secondary : 40mA, Inner Diameter : 17.8 mm, Outer Diameter: 47 mm

72

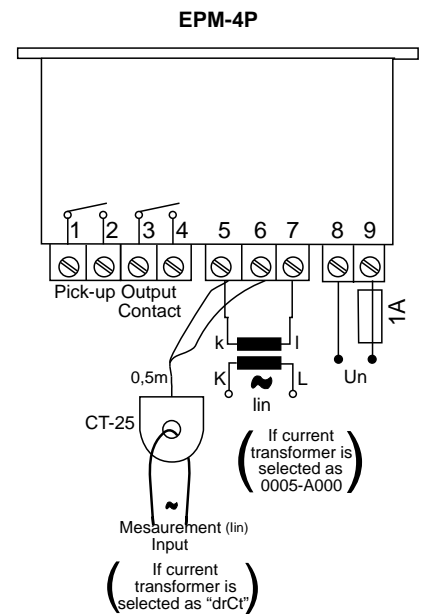
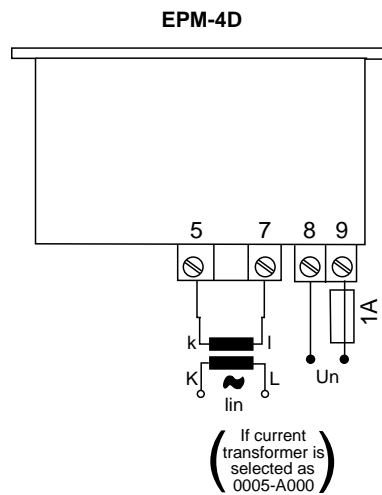
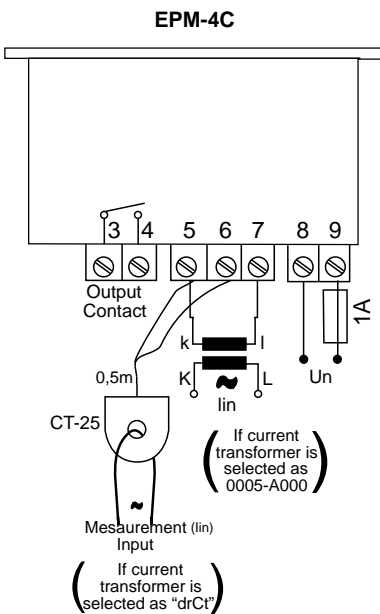
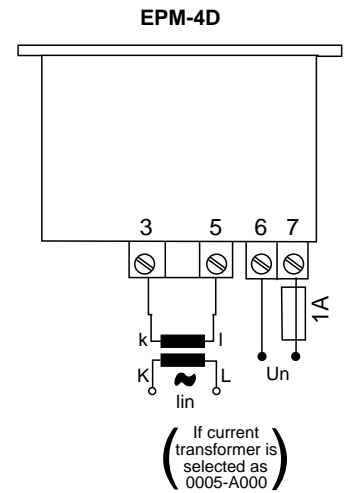
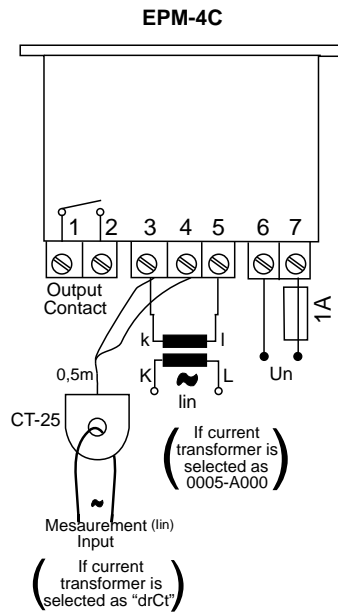
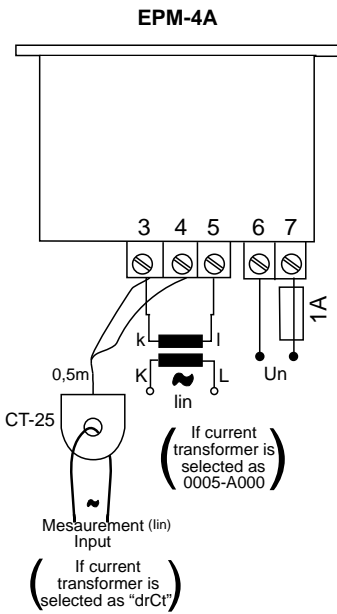
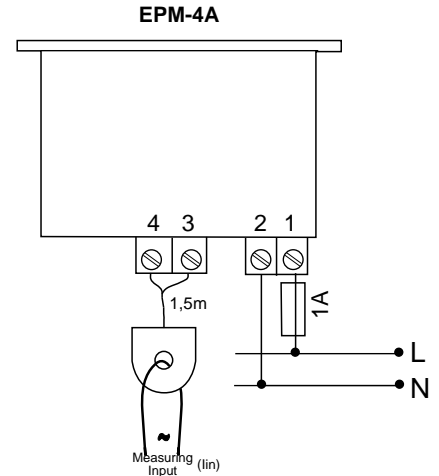
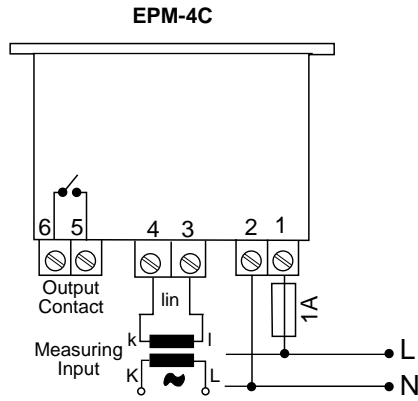
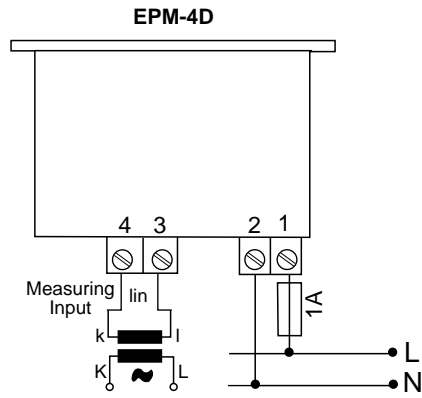
- True RMS Measurement.
- Programmable Current Transformer Ratio (5...10.000/5A).
- Non-flammable enclosure.
- Double Insulation (), Measurement Category III.
- Terminal Connection.
- Flush mounting with rear terminals.
- Ambient Operating Temperature: -5°C,+50°C.
- IEC 61000-6-2, IEC 61000-6-4, IEC 61010-1.

MODELS	Panel-Mounted			Rail-Mounted		
	EPM-4D	EPM-4C	EPM-4P	EPM-4A	EPM-R4D	EPM-R4C
Electrical Parameters						
Operating Voltage (U _n)	230 V AC* ±10%, 50/60 Hz					
Network Type	Single-phase / 2 wires					
Accuracy	1% ±1 digit					
Current Transformer Ratio	5...10000 / 5 A					
Measurement Input	0,05 - 5,5 A (with terminals); 0,07 - 200 A (with CT-25)			50 mA - 5,5 A		
Measurement Ranges	0,05 - 10000 A (with X5 CT); 0,07 - 200 A (with CT-25)			50 mA - 10 000 A		
Power Consumption	< 4 VA					
Burden	< 1 VA					
Output Contact	-		1 NO, 5 A 1250 VA	1 C/O, 5 A 1250 VA	-	1 NO,5A 1250 VA
Pick-up Contact		1 NO, 5 A 1250 VA			-	
Instant Tripping	-	0,5 x spL*** 1,5 x spH****		1,5xSet Point	-	1,5xSet Point
Hysteresis	-	0-0,5 x Full scale		4%xSet Point	-	4%xSet Point
Delay Time	-	0 - 999,9 sec.			-	0 - 999,9 sec.
Demand Time (Average)	1- 60 min.					
Display	Red LED, 14 mm Height			Red LED, 10 mm Height		
Mechanical Parameters						
Dimensions	72x72 mm (PR18) Slim 96x96 mm (PR19)	72x72 mm (PR18) Slim 96x96 mm (PR19)	Slim 96x96 mm (PR19)	72x72 mm (PR18) 96x96 mm (PR19)	DIN III Type Rail Mount (PK20)	
Weight / each	0,35 kg (PR25), 0,3 kg (PR18), 0,35 kg (PR19)			0,3 kg		
Quantity in 1 package	16 pcs (PR18), 12 pcs (PR19)			16 pcs		

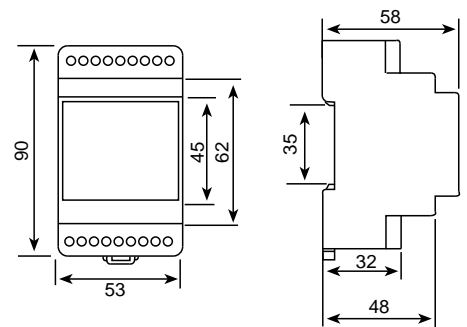
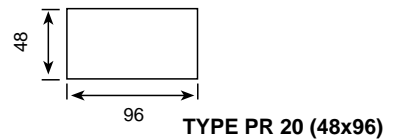
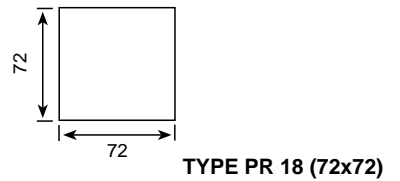
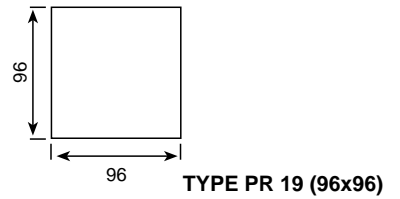
DIGITAL AMMETERS

EPM / EPM-R Series

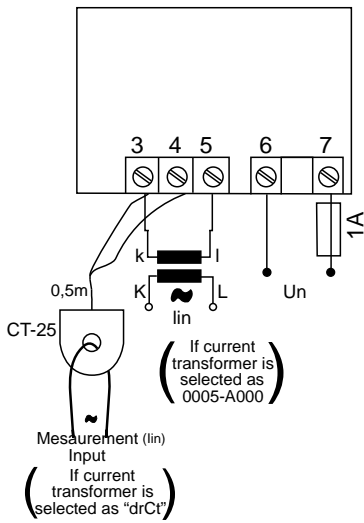
Connection Diagram



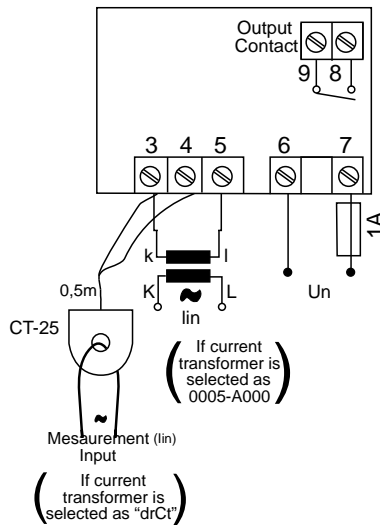
Dimensions



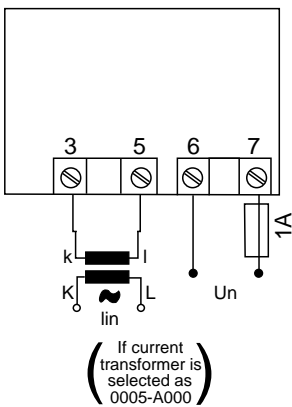
EPM-4A



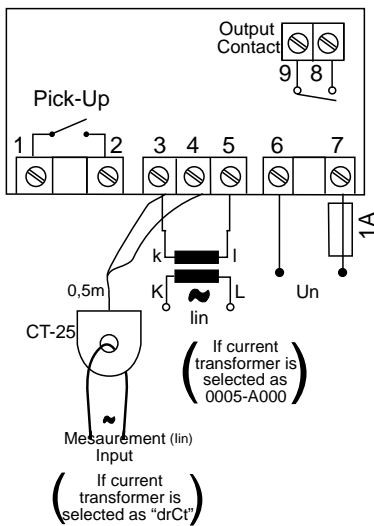
EPM-4C



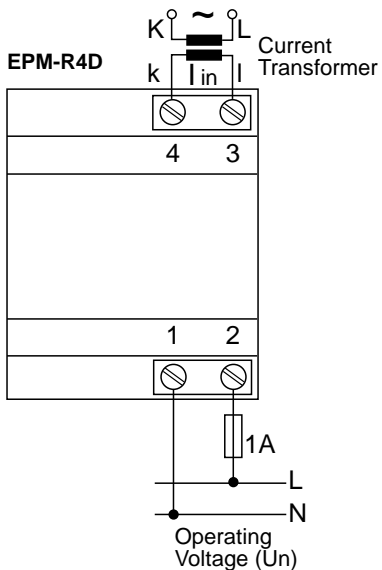
EPM-4D



EPM-4P



Measuring Input



Measuring Input

