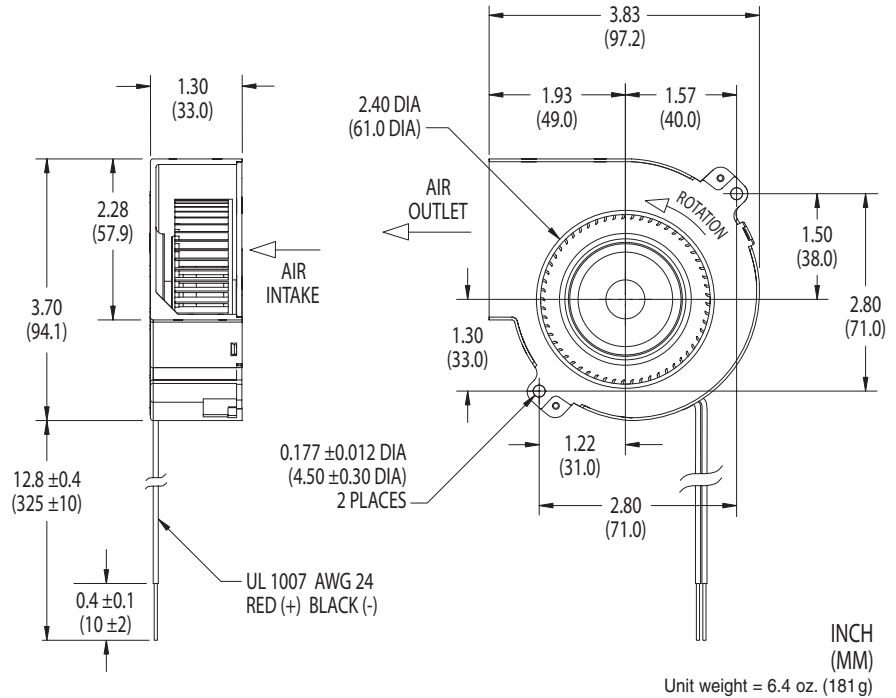


# 97×33mm



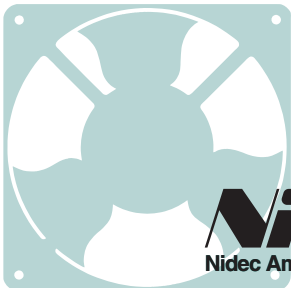
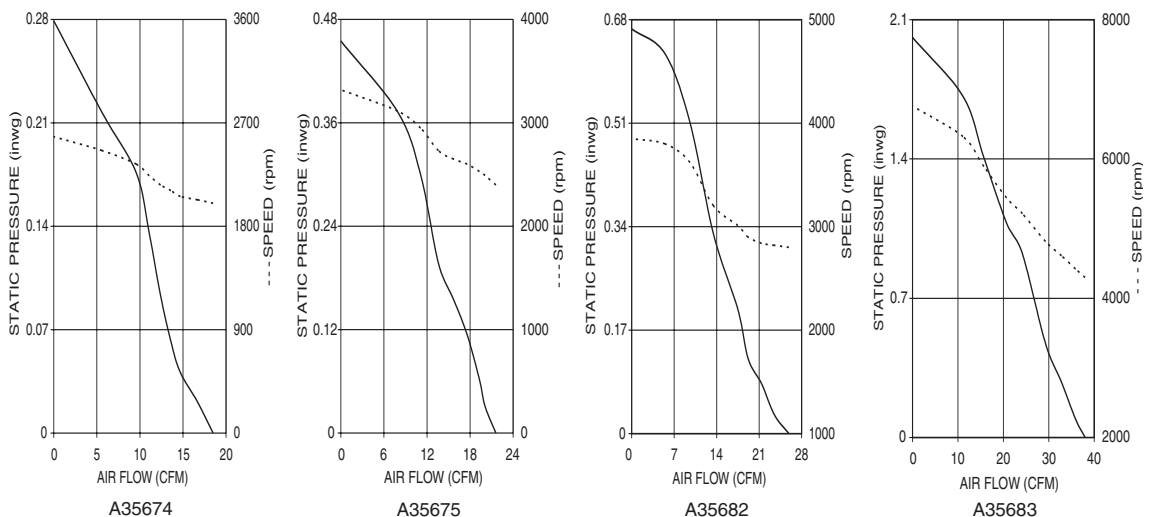
- ▶ Air Flow Ratings to 38 CFM
- ▶ Static Pressure to 1.85 inwg
- ▶ Polarity Protected
- ▶ Frame and Impeller Rated V-0
- ▶ Permanently Lubricated Ball Bearings
- ▶ Alarm/Tachometer/Thermal & PWM Speed Control Options Available
- ▶ Color-Coded 12.8 in. (325mm) Leads



## GAMMA 30 Series—Electrical and Mechanical Characteristics

Model	Operating Voltage			Current (mA)	Power (W)	Sound Level			Fan Speed (rpm)	Bearing	Operating Temp.	
	Air Flow (CFM)	Nom. (V)	Range (V)			Pressure (dBA)	NPEL (Bels)	Min. (°C)			Max. (°C)	
A35674	18	12	10.2-13.8	170	2.0	40	4.9	2,000	Ball	-10	+70	
A35675	21	12	10.2-13.8	300	3.6	45	5.5	2,400	Ball	-10	+70	
A35682	25	12	10.2-13.8	400	4.8	49	5.9	2,800	Ball	-10	+70	
A35683	38	12	10.2-13.8	1600	19.2	58	6.9	4,300	Ball	-10	+70	

Note: Air flow, current, power, speed and sound level ratings are at nominal voltage against zero static pressure. NPEL = Noise Power Emission Level. Power termination and signal options are designated by two-digit suffixes added to the model names: For color-coded 325mm power leads with stripped ends, add "-16" to the model numbers.



**Nidec**  
Nidec America Corporation

phone 781-848-0970 · email fans@nidecamerica.com · www.nidecamerica.com