



CABLE ENTRY SEALS

FOR CABINETS AND ENCLOSURES

We Seal Your World™



ABOUT ROXTEC

- World leader in seals for multiple cables and pipes
- Founded in Sweden in 1990
- Inventor of Multidiameter™
- Local support in more than 70 markets
- Certified according to ISO 9001/14001 and EN 13980
- More than 250 product certifications and safety listings

| | |
|---|----|
| A truly flexible sealing system | 4 |
| No more cutting off connectors | 5 |
| More cable, less cabinet | 6 |
| Certified protection | 7 |
| Roxtec cable sealing solutions for every industry | 8 |
| Roxtec solutions for bonding, grounding and EMC | 12 |
| Roxtec Transit Designer™ | 14 |
| We create customized solutions | 15 |
| Roxtec cabinet seal selection guide | 16 |

ROXTEC CABINET SEALING SOLUTIONS

| | |
|-----------------------------------|----|
| ComSeal LW | 18 |
| CRL | 20 |
| ComSeal | 22 |
| ComShelt | 25 |
| C ComShelt | 27 |
| EzEntry | 29 |
| CF 24 | 32 |
| RG M63 | 34 |
| C RS T | 36 |
| CF 8/CF 32 | 38 |
| CF 16 | 40 |
| HD 32 | 42 |
| C KFO | 44 |
| Modules and wedge for C KFO | 46 |
| KFO | 47 |
| GHM | 49 |
| Modules and wedge for KFO and GHM | 51 |
| Installation tools | 52 |

A truly flexible sealing system

Multidiameter™ by Roxtec

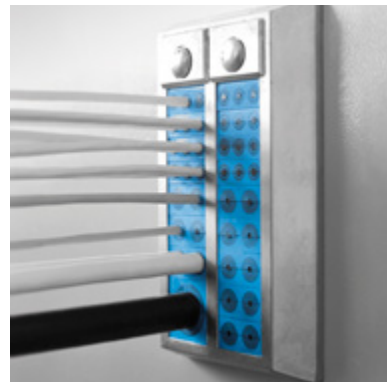
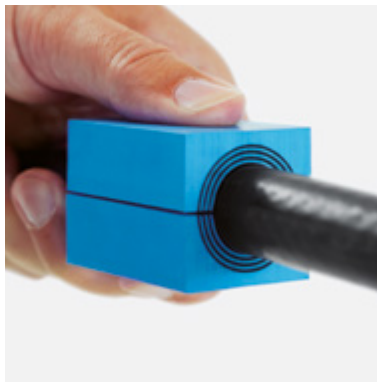
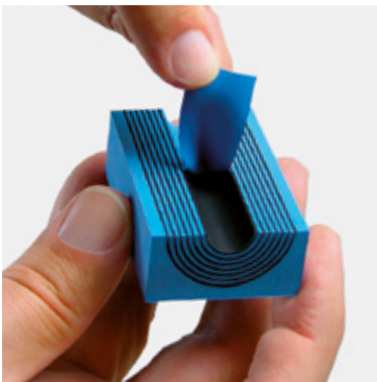
Our innovative solution for adaptability simplifies design, installation and maintenance. Our sealing modules have removable layers enabling a perfect fit to cables and pipes of different sizes. Just peel off layers until the module fits.

Install today, expand tomorrow

One area efficient Roxtec seal can replace up to 32 traditional cable glands. The built-in spare capacity makes it easy to open up the seal and change or add cables, without punching new holes or adding material, whenever there is a need.

BENEFITS

- Plan for extra capacity
- Save design and installation time
- Avoid costly surprises onsite
- Add cables without adding cost



No more cutting off connectors



Roxel sealing solutions allow you to route and seal pre-terminated cables without cutting connectors.

Roxel seals have large openings making them ideal for use with pre-terminated cables. You can adjust and trim your system at the factory and eliminate the time-consuming and insecure cutting and re-attaching of connectors onsite. The result is better connectivity and less risk for EMI and signal loss.

BENEFITS

- Maintain the integrity of the connection
- Long-term operational reliability
- Shorter installation times
- Reduction of installation costs

More cable, less cabinet



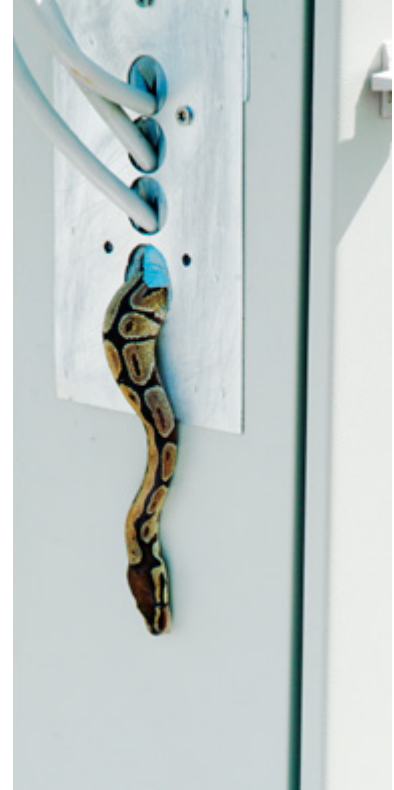
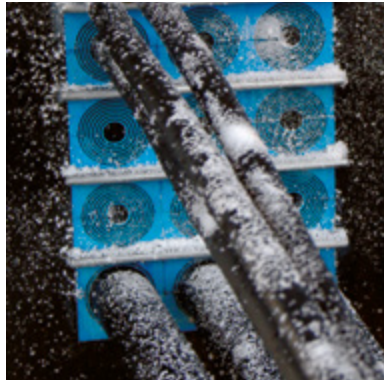
Maximize space in your cabinets. Avoid drilling – and the risk of new leak paths.

Roxtec seals allow multiple cables or pipes through one opening. You eliminate the need for punching holes for cable glands and make it possible to reduce the size and cost of cabinets. The seals can be pre-packed for quick field installation.

FEATURES AND BENEFITS

- Multiple cables and pipes per opening
- Enables smaller cabinets
- Allows work-bench assembly
- Adapter plates for cabinets

Certified protection



Roxtec cable and pipe entry seals provide protection against a wide range of hazards. Typical examples are gas, smoke, dust, fire, vibration and electromagnetic interference. Roxtec offers sealing solutions that are certified by industry recognized certifying authorities and have been tested and found compliant by recognized testing laboratories worldwide.

TESTED AND APPROVED

- IP 54, IP 66/67, IP69K
- Fire protection
- Water-tightness
- Vibration damping
- IECEx/ATEX
- UL/NEMA 3, 3R, 4, 4X, 12, 12K and 13
- EMC
- Pull-out resistance

Fewer warranty claims

By standardizing with Roxtec, our customers have been able to achieve safer and more reliable installations of cables with connectors. This reduces their costs for repairs after delivery due to component failure and improper routing.

Roxtec cable sealing solutions for every industry

Thanks to their reliability and extreme flexibility, our sealing solutions are used in a wide range of industries and applications. You find Roxtec seals for cabinets and enclosures in demanding environments on land and at sea all over the world.



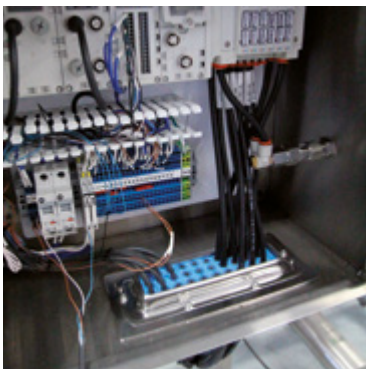
MACHINE BUILDERS/ PANEL SHOPS



Power supply cabinet: The Roxtec CF 32 can accommodate several cables in a small space.



Robotic routing machine control cabinet: The compact design of the Roxtec CF 16 maximizes free space.



High pressure wash down environments: The Roxtec CF 16 AISI 304 maintains high sanitary requirements.

ROLLING STOCK



Driver cab and engine room: Customized sealing solution installed to keep tight between the driver cab and engine room.



Light railway vehicle: The fire rated Roxtec CF 24 F1 helps ensure passenger safety by preventing the spread of fire into the passenger compartment.

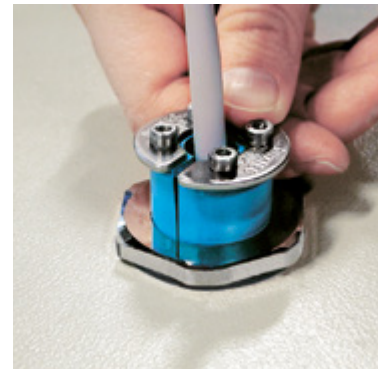


Fire-proof and pressure resistant cable seal.

MILITARY VEHICLES



V-hull vehicles: The Roxtec CF 16 cable seal is used in the walls and on the roof/ceiling of vehicles to prevent the ingress of water and dust.



Ambulances: The Roxtec C RS T seal for roof-top cable entries.



Radar control cabinet: The Roxtec CF 32 is used for sealing cables to radar systems.

CONSTRUCTION



Transformers and switchgear: The Roxtec GHM solution provides protection to ensure operational reliability.



Converter system: The Roxtec EzEntry™ cable entry seal protects against dust and water.



Junction boxes and control cabinets: The Roxtec CF 32/32 provides IP 67 and NEMA 4 protection, sealing up to 32 cables in a single small cut-out.

POWER (WIND, NUCLEAR, SOLAR)



I/C cabinets: Neat and area efficient cable entry seals suitable for safety and non-safety applications.



Control cabinets: The Roxtec CF 32 PE for potential equalization is used for generator and turbine cubicle marshalling.



Wind turbine: Roxtec transits for potential equalization as well as the Roxtec standard system for control cabinets in the nacelle.

PROCESSING AND HEAVY INDUSTRIES



Ex e terminal box: The Roxtec CF 32 Ex frame can accommodate 32 SWA or MC cables.



DCS/PLC and I/O marshalling cabinets: Roxtec solutions reduce required cabinet space, ensure functionality and provide capacity for additional cables.

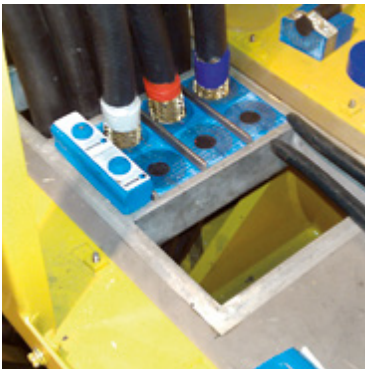


Instrumentation and communication: The Roxtec CF 32 provides protection against coal dust.

OFFSHORE OIL AND GAS



Generators, thrusters and motor terminal boxes: IP and vibration protection. The seals allow routing of cables with terminations. Available in EMC versions.

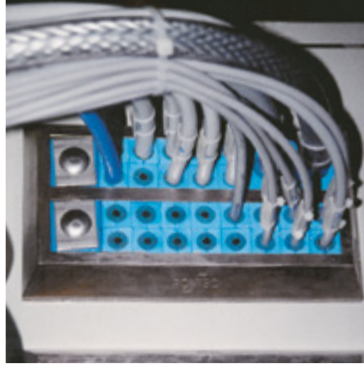


Bonding and grounding: Roxtec BG™ provides solutions for termination of conduits, armored and metal clad cables in control cabinets and junction boxes.

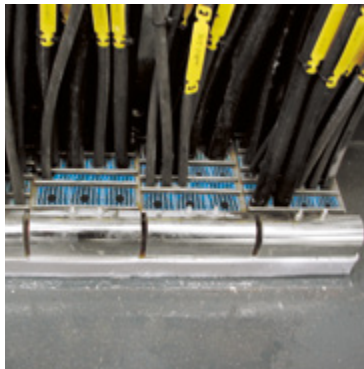


The Roxtec HD 32 is our lighter frame, a bolted alternative that is suitable for both indoor and outdoor applications. EMC versions also available.

MARINE



Captain's bridge: Route wiring through Roxtec cabinet seals and into enclosures without compromising IP ratings.



Radio room: RFI shielded EMC and firestop solutions for radar and navigation equipment in bulkheads.



Generators and propulsion system: Roxtec seals are adaptable to fit cables and pipes of different sizes.

TELECOM



Base station shelter: The Roxtec CRL provides increased line capacity to maxed-out entry port panels without modification of the existing shelter or entry port.

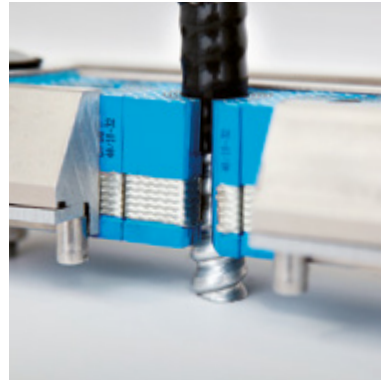


Communication centers: The Roxtec GHM solution seals fiber optics and cables in floors and outer walls.



Telecom cabinet: The Roxtec RG M63 cable glands are weather, water, pest and dust tight.

Roxtec BG™ B for bonding and grounding



The Roxtec BG B and BG (bonding and grounding) product family is our cable entry system for sealing large quantities of metal clad or armored cables in the least amount of space. Use it in building structures, cabinets and enclosures to save design and installation time – and to reduce weight and costs!

Save space and money

Roxtec BG B and BG solutions are lighter and up to 70 percent more area efficient than cable glands and a direct replacement to glands for terminating metal clad and armored cable types. With a single cable entry from Roxtec, you can seal varying outside diameters of single or multiple cables while ensuring a certified bonding or grounding termination.

More cables, less cabinet

For cabinets and electrical enclosures, Roxtec BG B and BG solutions allow for the size and weight of cabinets to be greatly

reduced. A single cut-out for a standard Roxtec CF 32 BG B kit can accommodate up to 32 cables, which drastically reduces the amount of space required when compared to 32 individual cable glands.

Replacing “pig-tails”

Flattened braids, combining large copper masses in a flat form, are often used to ensure earth paths for higher frequencies. The Roxtec BG B and BG solution has such a braid embedded and surrounded by the solid metal frame. This solution can easily replace weak solutions such

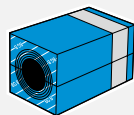
as “pig-tails” – individual earthing conductors connecting the cable armor to the earthing bar.

FEATURES AND BENEFITS

- Bond and ground metal clad and armored cables
- Ensure electrical safety and protect life and assets
- Reduce the area required by 70% compared to cable glands
- Perfect for walls, floors, cabinets and enclosures
- Fire rated and available for hazardous locations (Ex)

ROXTEC BG™ B PRODUCT LINE

Roxtec BG B provides electrical safety and protection against lightning strikes.



Roxtec BG B/BG (bonding and grounding) handles high currents and bonds and grounds armored or shielded cables. It has high current withstand capability for short-circuit and surge currents.

Roxtec EMC solutions



Ensuring EMC, electromagnetic compatibility, is a two way challenge. You must limit the effects of EMI, electromagnetic interference, entering the enclosure, while minimizing the potential for EMI generated within the enclosure from escaping and causing interference with nearby electronics.

Multiple risk prevention

Roxtec EMC solutions can perform multiple risk prevention functions at the same time. They can combine protection against disturbances from technical systems with protection against risk factors such as fire, smoke, water, gas, explosion and vibration. So why use many components, labor time and space when one Roxtec system is enough?

Increased EMI exposure

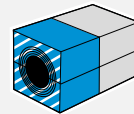
Electromagnetic disturbances travel either conducted along a metallic object or propagate through air. The conductive armor in a cable can carry unwanted signals and cause interference in a system far away from the original source. It is crucial for designers, engineers and owners to consider the risk of EMI exposure and to include EMC into the initial electrical design for cabinets, enclosures, and terminal and junction termination boxes. Roxtec seals support best practice EMI protection principles by providing a single entry and by integrating the earth path.

Electromagnetic shielding

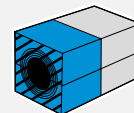
Roxtec also provides solutions for cables going in or out of electromagnetically sealed enclosures. The seals are tested to a minimum of 18GHz to prove the shielding effectiveness. Transfer impedance from cable shield to frame is also measured up to 30MHz.

ROXTEC EMC PRODUCT LINES

Roxtec EMC solutions provide protection against EMI.



Roxtec ES provides electromagnetic shielding. It blocks and diverts high frequency radiated and conducted EMI and electromagnetic pulses, EMP.



Roxtec PE provides protection against conducted EMI carried by cable screens or metal pipes.

Roxtec Transit Designer™

The Roxtec Transit Designer is a free, web-based engineering tool. It reduces project risks and simplifies product selection as well as the entire process of designing, purchasing and installing cable and pipe transits.

Its batch import with auto validation feature helps designers create and update thousands of transits automatically and take full control of their largest project designs. They can also validate their complete project by using the Roxtec CAD symbols and the Roxtec Transit Designer for easy incorporation of the transits into the design.

Always available, everywhere

The Roxtec Transit Designer is accessible online. Share your work with project teams anywhere in the world, and our experts are available through the chat function. To start using it, sign-up on www.roxtec.com.



FEATURES

- Free web-based application
- Simple product selection
- Manufacturer-approved outputs
- Improves project efficiency
- Batch import with auto validation
- Import multiple transits to speed up design work

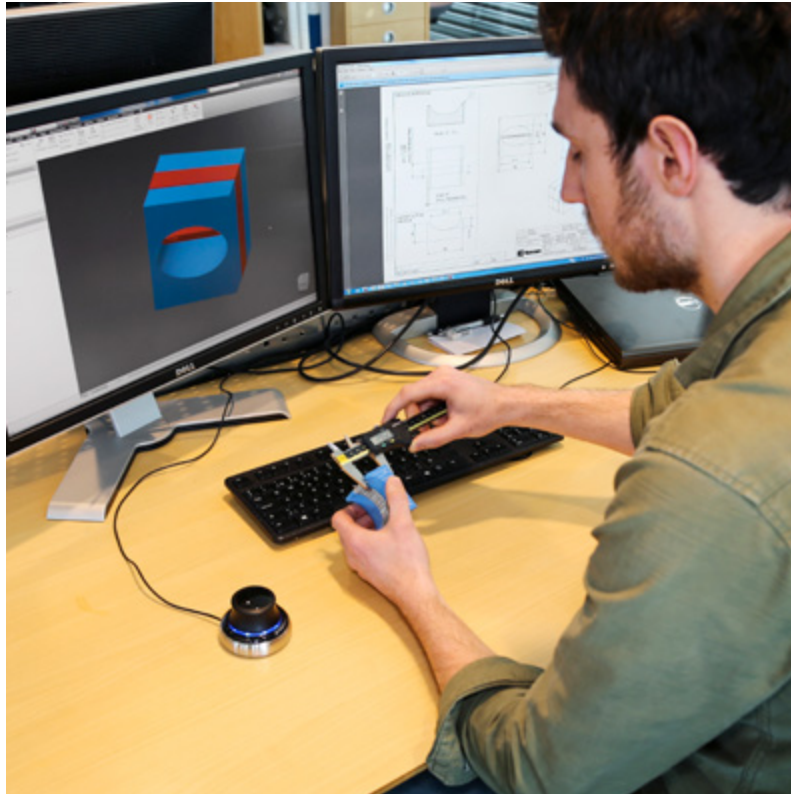
SIMPLE USER INPUT

Cable/pipe schedule or estimates
Sealing/certification requirements
Installation preferences
Material quality selection

APPROVED OUTPUT

2D drawings in DXF and PDF
3D STEP
Bill of material in Excel
Installation instructions

We create customized solutions



We are here to solve your sealing problem – even when it requires the creation of a new customized solution. We have an entire Customer Service team with designers and engineers ready to develop tailored seals according to your needs.

Experience in innovation

If you need a special solution, just inform your local Roxtec representative about the specific requirements. In many cases, we have already supplied a similar sealing solution, somewhere in the world, allowing us to respond very quickly to your request.

ROXTEC CABINET SEAL SELECTION GUIDE



ComSeal LW



CF 8/32



CF 16



EzEntry



RG M63



ComSeal

| RATINGS | | | | | | |
|--------------------------|---|---|---|---|---|---|
| IP 44 | ✓ | | | | | |
| IP 54 | | | | | | |
| IP 55 | | | | | | ✓ |
| IP 66/67 | | ✓ | ✓ | ✓ | ✓ | |
| IP 69K | | | | | | |
| UL/NEMA 3R | ✓ | | | | | |
| UL/NEMA 3, 12, 12K | | | | | | ✓ |
| UL/NEMA 4, 4X, 12, 13 | | ✓ | ✓ | ✓ | ✓ | |
| TRANSIT | | | | | | |
| Single cable | | | | | ✓ | |
| Multiple cables | ✓ | ✓ | ✓ | ✓ | ✓ | ✓ |
| MATERIAL | | | | | | |
| Composite frame | | | | ✓ | | |
| Aluminum | ✓ | ✓ | | | | ✓ |
| Powder coated mild steel | | | ✓ | | | |
| Nickel-plated brass | | | | | ✓ | |
| Stainless steel | | | ✓ | | ✓ | ✓ |
| | | | | | | |

UL FILE NUMBERS

| COMPANY NAME | CATEGORY NAME | FILE NUMBER |
|-------------------------|--|---------------|
| Roxtec Inc | Firestop Devices | XHJI.R16085 |
| Roxtec Inc | Firestop Devices Certified for Canada | XHJI7.R16085 |
| Roxtec Inc | Industrial Control Panels – Component | NITW2.E197106 |
| Roxtec Inc | Industrial Control Panels Certified for Canada – Component | NITW8.E197106 |
| Roxtec Inc | Plastics – Component | QMFZ2.E179133 |
| Roxtec International AB | Firestop Devices | XHJI.R15556 |
| Roxtec International AB | Firestop Devices Certified for Canada | XHJI7.R15556 |
| Roxtec International AB | Industrial Control Panels – Component | NITW2.E209828 |
| Roxtec International AB | Industrial Control Panels Certified for Canada – Component | NITW8.E209828 |
| Roxtec International AB | Plastics – Component | QMFZ2.E185619 |

For more information, go to www.roxtec.com



C RS T



HD 32



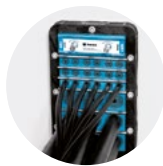
GHM



KFO



CF 24



C KFO



C ComShelt



CRL

| | | | | | | | |
|---|---|---|---|---|---|---|---|
| | | | | | | | |
| | | | | | | | ✓ |
| ✓ | ✓ | ✓ | ✓ | ✓ | ✓ | ✓ | |
| ✓ | | | | | | | |
| ✓ | ✓ | ✓ | | ✓ | | | |
| ✓ | | | | | | | ✓ |
| | ✓ | ✓ | ✓ | ✓ | ✓ | ✓ | ✓ |
| | | | ✓ | | ✓ | ✓ | ✓ |
| | | | | ✓ | | | |
| ✓ | | | | | | | |
| ✓ | ✓ | ✓ | | | | | |
| ⚡ | | ⚡ | | | | | |

⚡ Available in Ex version
 ⚡ Available in EMC version



Roxtec ComSeal™ LW

The Roxtec ComSeal LW is a light-weight and area efficient cable and pipe sealing solution for cabinets. The frames are made out of cast aluminum and used with adaptable sealing modules. The product is supplied as ready-made kits which include all necessary components.

- Available in six different sizes
- Attached on inside or outside of cabinet
- Version available for the FL 21 cut-out



ComSeal™ LW kits, integrated compression unit, aluminum



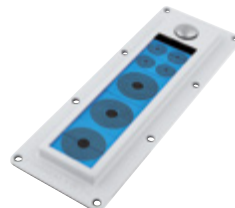
ComSeal LW 6



ComSeal LW 12



ComSeal LW 12 FL 21



ComSeal LW 16

RATINGS IP: 44 UL/NEMA: 3R

| Kit | Diameter range and number of cables/pipes | | | Weight | | Art. No |
|-----------------------|---|---|--|--------|-------|---------|
| | 0+3.5-10.5 mm 0+0.138-0.413 in (EM 15w40) | 0+3.5-16.5 mm 0+0.138-0.650 in (EM 20w40) | 0+9.5-32.5 mm 0+0.374-1.280 in (EM 40 10-32) | (kg) | (lb) | |
| ComSeal LW 6/3 | | 2 cables/pipes | 1 cable/pipe | 0.322 | 0.710 | 107788 |
| ComSeal LW 6/6 | | 6 cables/pipes | | 0.322 | 0.710 | 107789 |
| ComSeal LW 6/12 | 12 cables/pipes | | | 0.322 | 0.710 | 107790 |
| ComSeal LW 12/3 | | | 3 cables/pipes | 0.445 | 0.981 | 107791 |
| ComSeal LW 12/6 | | 4 cables/pipes | 2 cables/pipes | 0.445 | 0.981 | 107792 |
| ComSeal LW 12/9 | | 8 cables/pipes | 1 cable/pipe | 0.445 | 0.981 | 107793 |
| ComSeal LW 12/12 | | 12 cables/pipes | | 0.445 | 0.981 | 108020 |
| ComSeal LW 12/3 FL 21 | | | 3 cables/pipes | 0.488 | 1.076 | 107799 |
| ComSeal LW 12/6 FL 21 | | 4 cables/pipes | 2 cables/pipes | 0.488 | 1.076 | 107800 |
| ComSeal LW 12/9 FL 21 | | 8 cables/pipes | 1 cable/pipe | 0.488 | 1.076 | 107802 |

ComSeal™ LW kits, integrated compression unit, aluminum

| Kit | Diameter range and number of cables/pipes | | | Weight | | Art. No |
|------------------------|---|---|--|--------|-------|---------|
| | (kg) | (lb) | | | | |
| | 0+3.5-10.5 mm 0+0.138-0.413 in (EM 15w40) | 0+3.5-16.5 mm 0+0.138-0.650 in (EM 20w40) | 0+9.5-32.5 mm 0+0.374-1.280 in (EM 40 10-32) | | | |
| ComSeal LW 12/12 FL 21 | | 12 cables/pipes | | 0.488 | 1.076 | 108018 |
| ComSeal LW 16/4 | | | 4 cables/pipes | 0.536 | 1.180 | 107794 |
| ComSeal LW 16/7 | | 4 cables/pipes | 3 cables/pipes | 0.536 | 1.180 | 107795 |
| ComSeal LW 16/10 | | 8 cables/pipes | 2 cables/pipes | 0.536 | 1.180 | 107796 |
| ComSeal LW 16/16 | | 16 cables/pipes | | 0.536 | 1.180 | 107797 |

Modules and frames can be ordered separately.

ComSeal™ LW frame, technical information

ComSeal LW 6

ComSeal LW 12

ComSeal LW 12 FL 21

ComSeal LW 16

| | ComSeal LW 6 | | ComSeal LW 12 | | ComSeal LW 12 FL 21 | | ComSeal LW 16 | |
|----------------|--------------|-------|---------------|-------|---------------------|-------|---------------|-------|
| Pos | (mm) | (in) | (mm) | (in) | (mm) | (in) | (mm) | (in) |
| c | 68.5 | 2.697 | 68.5 | 2.697 | 62 | 2.441 | 68.5 | 2.697 |
| D | 55 | 2.165 | 55 | 2.165 | 55 | 2.165 | 55 | 2.165 |
| H | 133 | 5.236 | 193 | 7.598 | 216 | 8.504 | 233 | 9.173 |
| h ₁ | 60 | 2.362 | 120 | 4.724 | 120 | 4.724 | 160 | 6.299 |
| l | 121 | 4.764 | 90.5 | 3.583 | 193 | 7.598 | 73.5 | 2.913 |
| w ₁ | 40 | 1.575 | 40 | 1.575 | 40 | 1.575 | 40 | 1.575 |
| W | 80.5 | 3.169 | 80.5 | 3.169 | 88 | 3.465 | 80.5 | 3.169 |
| ø | 5.5 | 0.217 | 5.5 | 0.217 | 8.5 | 0.335 | 5.5 | 0.217 |

For ComSeal LW 12 FL 21: If the wall is thinner than 2 mm, a Roxtec ComSeal 12 counter flange 2CV0001020219 is recommended (not supplied in the kit)

Max wall thickness:
 ComSeal LW 6, 12, 16: 10 mm (0.394")
 ComSeal LW 12 FL 21: 7 mm (0.275")

Note: All dimensions are nominal values



Roxtec CRL seal

Roxtec CRL is a round expansion frame for 4" and 5" holes. Its square packing space houses modules and services, such as cables, pipes and fiber optics. Compression is integrated in the frame.

- Attachment by expansion
- Designed to be installed on a shelter port hatch plate (not manufactured by Roxtec)

CRL kit, CRL 4": Polyamide, PA 6.6 25% GF, **CRL 5"**: Primed mild steel



CRL 4"/1



CRL 4"/4



CRL 4"/5



CRL 4"/9



CRL 5"/1



CRL 5"/4



CRL 5"/5



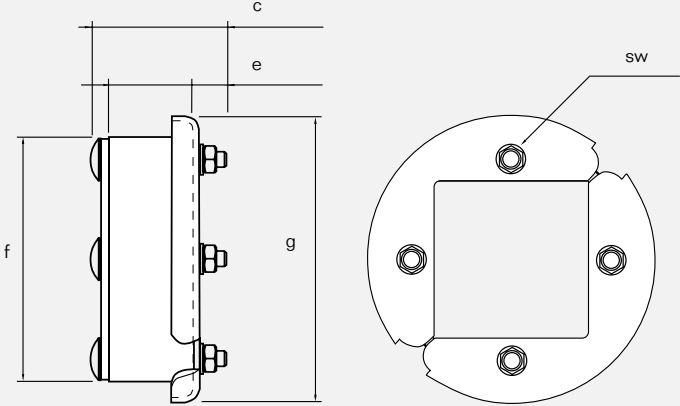
CRL 5"/9

RATINGS IP: 54

| Kit | Number of cables/pipes | Diameter range and number of cables/pipes | | | Weight | | Art. No |
|----------|------------------------|--|---|--|--------|-------|---------------|
| | | 0+4-16.5 mm 0+0.157-0.650 in (CM22w66) | 0+10-29 mm 0+0.394-1.142 in (CM33w66) | 0+24-54 mm 0+0.945-2.126 in (CM66) | (kg) | (lb) | |
| CRL 4"/1 | 1 | | | 1 cable/pipe | 0.6 | 1.323 | 102997 |
| CRL 4"/4 | 4 | | 4 cables/pipes | | 0.6 | 1.323 | 102993 |
| CRL 4"/5 | 5 | 3 cables/pipes | 2 cables/pipes | | 0.6 | 1.323 | 102994 |
| CRL 4"/9 | 9 | 9 cables/pipes | | | 0.6 | 1.323 | 102995 |
| CRL 5"/1 | 1 | | | 1 cable/pipe | 0.95 | 2.094 | CRL0005010012 |
| CRL 5"/4 | 4 | | 4 cables/pipes | | 0.95 | 2.094 | CRL0005040012 |
| CRL 5"/5 | 5 | 3 cables/pipes | 2 cables/pipes | | 0.95 | 2.094 | CRL0005050012 |
| CRL 5"/9 | 9 | 9 cables/pipes | | | 0.95 | 2.094 | CRL0005090012 |

Modules and frames can be ordered separately.

CRL seal, technical information



| Pos | CRL 4" | | CRL 5" | |
|-----|--------|-------|--------|-------|
| | (mm) | (in) | (mm) | (in) |
| c | 74.0 | 2.913 | 74.0 | 2.913 |
| e | 59.0 | 2.323 | 33.0 | 1.299 |
| f | 98.0 | 3.858 | 123.0 | 4.843 |
| g | 115.0 | 4.528 | 140.0 | 5.514 |
| sw | 10 | 0.394 | 9.525 | 0.375 |

Note: All dimensions are nominal values



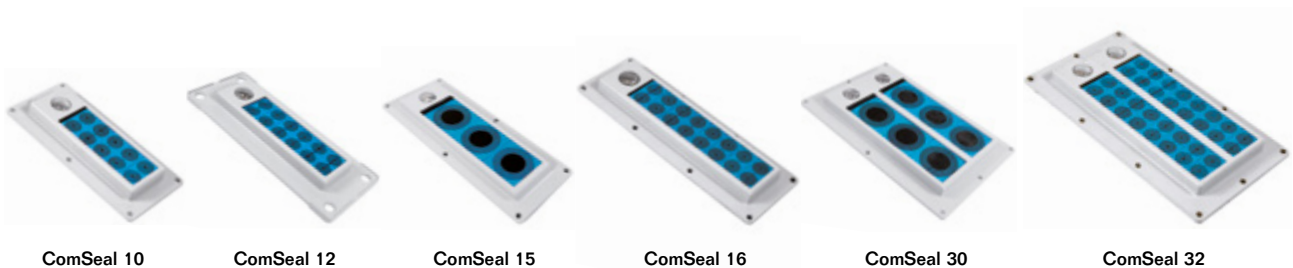
Roxtec ComSeal™

The Roxtec ComSeal is a light-weight and area efficient cable sealing solution for cabinets. The frames are available in cast aluminum and cast acid-proof stainless steel, AISI 316, and used with adaptable sealing modules. The product is supplied as ready-made kits which include all necessary components.

- Available in six different sizes
- Attached on inside or outside of cabinet



ComSeal™ kits, integrated compression unit, aluminum



ComSeal 10

ComSeal 12

ComSeal 15

ComSeal 16

ComSeal 30

ComSeal 32

RATINGS IP: 55 UL/NEMA: 3, 12, 12K

| Kit | Diameter range and number of cables/pipes | | | Weight | | Art. No |
|---------------|---|--|---|--------|------|---------|
| | | | | (kg) | (lb) | |
| | 0+3.5-16.5 mm 0+0.138-0.650 in (CM 20W40) | 0+9.5-32.5 mm 0+0.374-1.280 in (CM 40 10-32) | 0+28-43 mm 0+1.102-1.693 in (CM 50) | | | |
| ComSeal 10/4 | 2 cables/pipes | 2 cables/pipes | | 0.515 | 1.13 | 105299 |
| ComSeal 10/7 | 6 cables/pipes | 1 cable/pipe | | 0.515 | 1.13 | 105301 |
| ComSeal 10/10 | 10 cables/pipes | | | 0.515 | 1.13 | 105302 |
| ComSeal 12/3 | | 3 cables/pipes | | 0.61 | 1.34 | 105303 |
| ComSeal 12/6 | 4 cables/pipes | 2 cables/pipes | | 0.61 | 1.34 | 105305 |
| ComSeal 12/9 | 8 cables/pipes | 1 cable/pipe | | 0.61 | 1.34 | 105306 |
| ComSeal 12/12 | 12 cables/pipes | | | 0.61 | 1.34 | 105307 |
| ComSeal 15/3 | | | 3 cables/pipes | 0.91 | 2.0 | 105308 |
| ComSeal 16/4 | | 4 cables/pipes | | 0.666 | 1.47 | 105310 |
| ComSeal 16/7 | 4 cables/pipes | 3 cables/pipes | | 0.666 | 1.47 | 105312 |

ComSeal™ kits, integrated compression unit, aluminum

| Kit | Diameter range and number of cables/pipes | | | Weight | | Art. No |
|---------------|---|--|---|--------|------|---------|
| | | | | (kg) | (lb) | |
| | 0+3.5-16.5 mm 0+0.138-0.650 in (CM 20W40) | 0+9.5-32.5 mm 0+0.374-1.280 in (CM 40 10-32) | 0+28-43 mm 0+1.102-1.693 in (CM 50) | | | |
| ComSeal 16/10 | 8 cables/pipes | 2 cables/pipes | | 0.666 | 1.47 | 105313 |
| ComSeal 16/16 | 16 cables/pipes | | | 0.666 | 1.47 | 105314 |
| ComSeal 30/6 | | | 6 cables/pipes | 1.40 | 3.09 | 105315 |
| ComSeal 32/8 | | 8 cables/pipes | | 1.259 | 2.78 | 105316 |
| ComSeal 32/14 | 8 cables/pipes | 6 cables/pipes | | 1.259 | 2.78 | 105320 |
| ComSeal 32/20 | 16 cables/pipes | 4 cables/pipes | | 1.259 | 2.78 | 105321 |
| ComSeal 32/32 | 32 cables/pipes | | | 1.259 | 2.78 | 105322 |

Modules and frames can be ordered separately.

ComSeal™ kits, integrated compression unit, acid-proof stainless steel



ComSeal 10 AISI 316

ComSeal 16 AISI 316

ComSeal 32 AISI 316

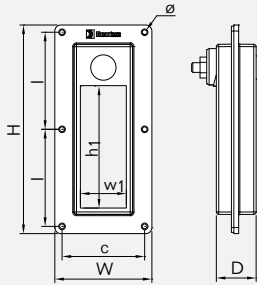
RATINGS IP: 55 UL/NEMA: 3, 12, 12K

| Kit | Diameter range and number of cables/pipes | | Weight | | Art. No |
|------------------------|---|--|--------|------|---------|
| | | | (kg) | (lb) | |
| | 0+3.5-16.5 mm 0+0.138-0.650 in (CM 20W40) | 0+9.5-32.5 mm 0+0.374-1.280 in (CM 40 10-32) | | | |
| ComSeal 10/4 AISI 316 | 2 cables/pipes | 2 cables/pipes | 1.096 | 2.42 | 105676 |
| ComSeal 10/7 AISI 316 | 6 cables/pipes | 1 cable/pipe | 1.096 | 2.42 | 105677 |
| ComSeal 10/10 AISI 316 | 10 cables/pipes | | 1.096 | 2.42 | 105678 |
| ComSeal 16/4 AISI 316 | | 4 cables/pipes | 1.407 | 3.11 | 105679 |
| ComSeal 16/7 AISI 316 | 4 cables/pipes | 3 cables/pipes | 1.407 | 3.11 | 105680 |
| ComSeal 16/10 AISI 316 | 8 cables/pipes | 2 cables/pipes | 1.407 | 3.11 | 105681 |
| ComSeal 16/16 AISI 316 | 16 cables/pipes | | 1.407 | 3.11 | 105682 |
| ComSeal 32/8 AISI 316 | | 8 cables/pipes | 2.395 | 5.28 | 105683 |
| ComSeal 32/14 AISI 316 | 8 cables/pipes | 6 cables/pipes | 2.395 | 5.28 | 105684 |
| ComSeal 32/20 AISI 316 | 16 cables/pipes | 4 cables/pipes | 2.395 | 5.28 | 105685 |
| ComSeal 32/32 AISI 316 | | 32 cables/pipes | 2.395 | 5.28 | 105686 |

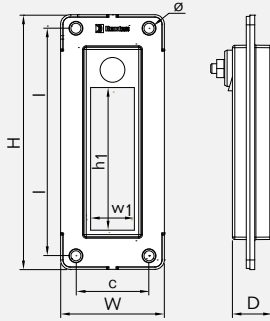
Modules and frames can be ordered separately.

ComSeal™ frame, technical information

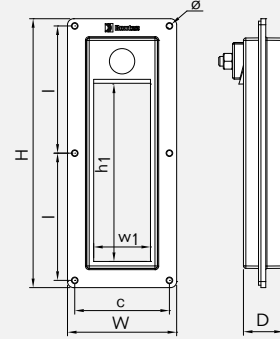
ComSeal 10



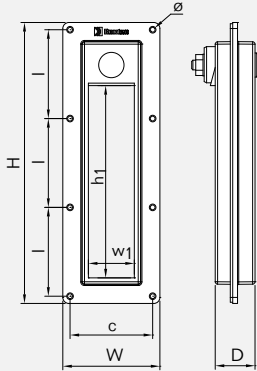
ComSeal 12



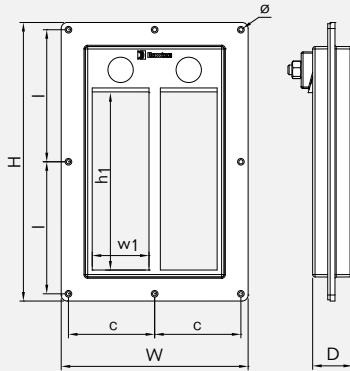
ComSeal 15



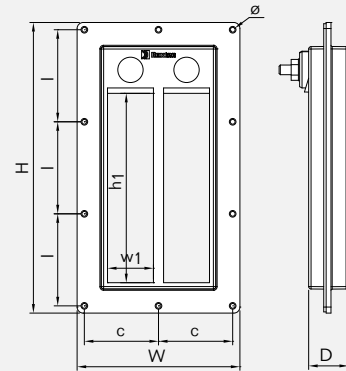
ComSeal 16



ComSeal 30



ComSeal 32

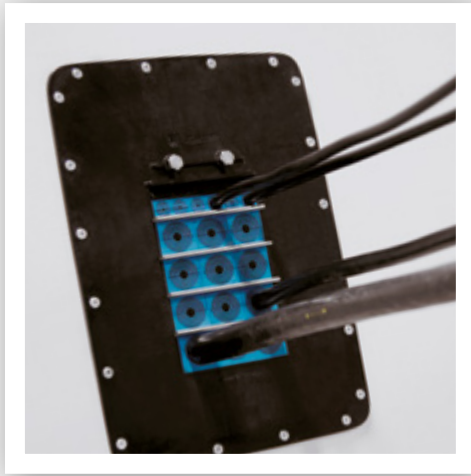


| Pos | ComSeal 10 | | ComSeal 12 | | ComSeal 15 | | ComSeal 16 | | ComSeal 30 | | ComSeal 32 | |
|----------------|------------|-------|------------|-------|------------|-------|------------|-------|------------|-------|------------|-------|
| | (mm) | (in) | (mm) | (in) | (mm) | (in) | (mm) | (in) | (mm) | (in) | (mm) | (in) |
| c | 68.5 | 2.697 | 62 | 2.441 | 78.5 | 3.091 | 68.5 | 2.697 | 71.5 | 2.815 | 61.5 | 2.421 |
| D | 33 | 1.299 | 33 | 1.299 | 33 | 1.299 | 33 | 1.299 | 33 | 1.299 | 33 | 1.299 |
| H | 173 | 6.811 | 216 | 8.504 | 223 | 8.780 | 233 | 9.173 | 231 | 9.094 | 241 | 9.488 |
| h1 | 100 | 3.937 | 120 | 4.724 | 150 | 5.906 | 160 | 6.299 | 150 | 5.906 | 160 | 6.299 |
| l | 80.5 | 3.169 | 193 | 7.598 | 105.5 | 4.154 | 73.7 | 2.902 | 109.5 | 4.311 | 76.33 | 3.005 |
| w ₁ | 40 | 1.575 | 40 | 1.575 | 50 | 1.969 | 40 | 1.575 | 50 | 1.969 | 40 | 1.575 |
| W | 80.5 | 3.169 | 88 | 3.465 | 90.5 | 3.563 | 80.5 | 3.169 | 155 | 6.102 | 135 | 5.315 |
| ø | 5.5 | 0.217 | 8.5 | 0.335 | 5.5 | 0.217 | 5.5 | 0.217 | 5.5 | 0.217 | 5.5 | 0.217 |

Max wall thickness:
 ComSeal 10, 15, 16, 30, 32: 10 mm (0.394")
 ComSeal 12: 7 mm (0.275")

Roxtec ComSeal 12 fits the FL 21 knock-out

Note: All dimensions are nominal values

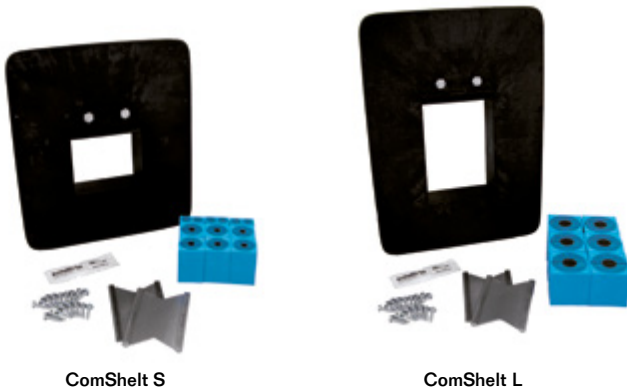


Roxtec ComShelt™

The Roxtec ComShelt is a sealing solution for cables and pipes of different sizes. The light-weight composite frame with integrated compression unit is designed for use in telecom shelters and cabinets. The product is supplied as ready-made kits which include all necessary components.

- Available in two different sizes
- Attached by bolting or riveting

ComShelt™ kits, integrated compression unit, composite PA 6.6 33% GF

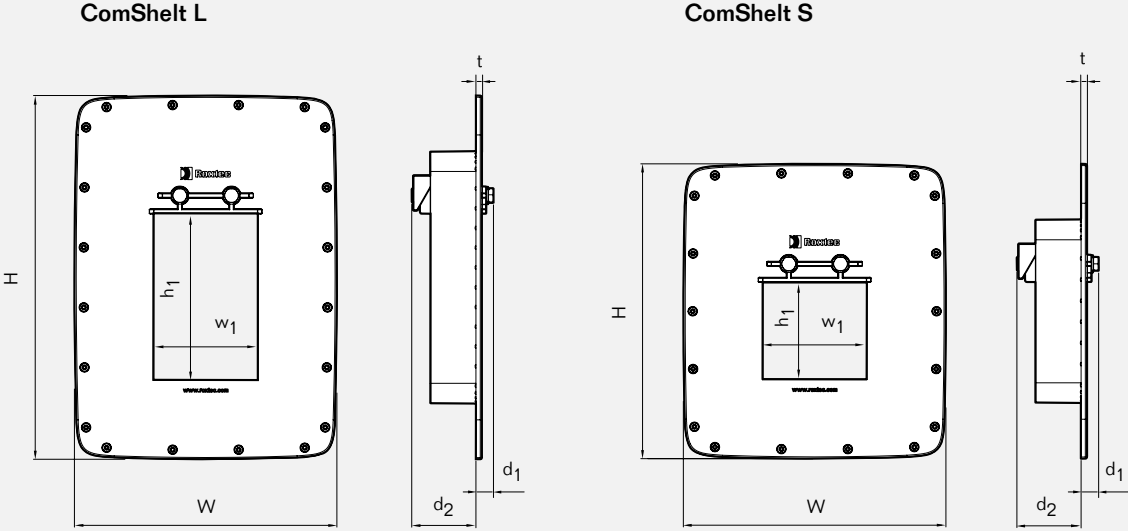


RATINGS IP: 55

| Kit | Diameter range and number of cables/pipes | | | Weight | | Art. No |
|----------------------|---|--------------------------------|-----------------------------|--------|------|---------------|
| | 0+3.5-16.5 mm (RM 20w40) | 0+9.5-32.5 mm (RM 40 10-32) | 0+24-54 mm (RM 60 24-54) | (kg) | (lb) | |
| ComShelt L/6 | | | 6 cables/pipes | 3.9 | 8.59 | CSL0000000006 |
| ComShelt L/18 | 6 cables/pipes | 12 cables/pipes | | 3.9 | 8.59 | CSL0000000018 |
| ComShelt S/12 | 6 cables/pipes | 6 cables/pipes | | 2.8 | 6.17 | CSS0000000012 |
| ComShelt S/30 | 30 cables/pipes | | | 2.8 | 6.17 | CSS0000000030 |

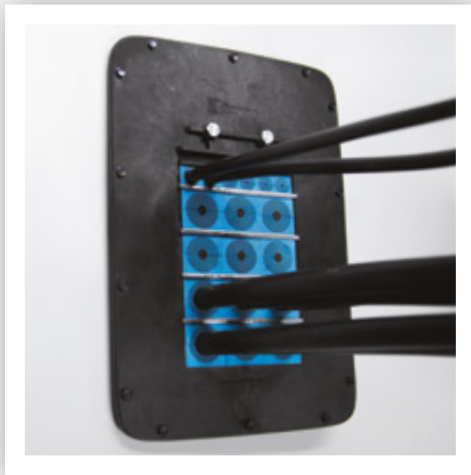
Modules and frames can be ordered separately.

ComShelt™, technical information



| Pos | ComShelt L | | ComShelt S | |
|----------------|------------|--------|------------|--------|
| | (mm) | (in) | (mm) | (in) |
| H | 422 | 16.614 | 342 | 13.465 |
| W | 305 | 12.008 | 305 | 12.008 |
| h ₁ | 180 | 7.087 | 100 | 3.937 |
| w ₁ | 120 | 4.724 | 120 | 4.724 |
| t | 7 | 0.276 | 7 | 0.276 |
| d ₁ | 20 | 0.787 | 20 | 0.787 |
| d ₂ | 70 | 2.756 | 70 | 2.756 |

Note: All dimensions are nominal values



Roxtec C ComShelt™

The Roxtec C ComShelt is a sealing solution for cables and pipes of different sizes. The light-weight composite frame with integrated compression unit is designed for use in telecom shelters and cabinets. The product is supplied as ready-made kits which include all necessary components. It is available with an additional cover plate for closing a part of the opening until further installation is required.

- Attached by bolting or riveting

C ComShelt™ kits, integrated compression unit, composite PA 6.6 33% GF



C ComShelt



C ComShelt with cover plate



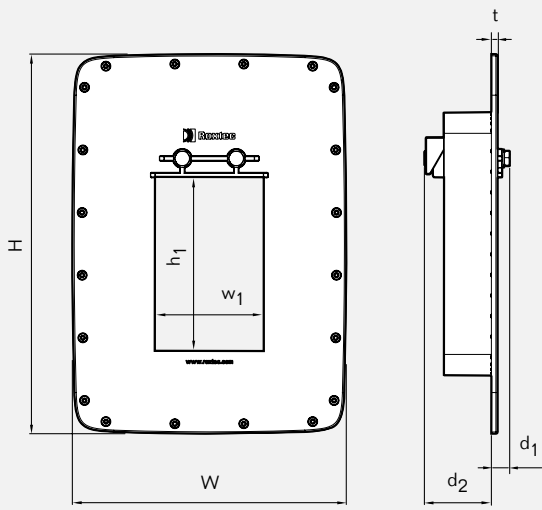
C ComShelt expansion module kit

RATINGS IP: 55

| Kit | Diameter range and number of cables/pipes | | Weight | | Art. No |
|---------------------------------|---|--------------------------------|--------|------|---------|
| | 0+3.5-16.5 mm (CM 20w40) | 0+9.5-32.5 mm (CM 40 10-32) | (kg) | (lb) | |
| C ComShelt/18 | 6 cables/pipes | 12 cables/pipes | 2.1 | 4.63 | 102716 |
| C ComShelt/12 with cover plate | 6 cables/pipes | 6 cables/pipes | 2.1 | 4.63 | 104660 |
| C ComShelt expansion module kit | | 6 cables/pipes | 0.5 | 1.10 | 109078 |

Modules and frames can be ordered separately.

C ComShelt™, technical information



| Pos | (mm) | (in) |
|----------------|------|--------|
| H | 358 | 14.173 |
| W | 255 | 10.039 |
| t | 8 | 0.315 |
| h ₁ | 190 | 7.480 |
| w ₁ | 120 | 4.724 |
| d ₁ | 13 | 0.512 |
| d ₂ | 22 | 0.866 |

Note: All dimensions are nominal values



Roxel EzEntry™

The Roxel EzEntry simplifies cable sealing in cabinets and enclosures. The single-side seal consists of a composite frame and adaptable modules. The product is supplied as ready-made kits which include all necessary components.

- Available in sizes from 4 to 32 cables
- Integrated compression unit
- Allows pre-terminated cables
- Versions available for the FL 21 knock-out and multipin 24 connector knock-out
- Available with stainless steel fasteners upon request to meet requirements in aggressive corrosive environments



EzEntry™ kit, integrated compression unit, PA 66 25% GF



RATINGS EzEntry 4 mini: IP 55, UL/NEMA 12, 13 EzEntry 4, 10, 16, 24, 32: IP 66/67, UL/NEMA 4, 4x, 12, 13

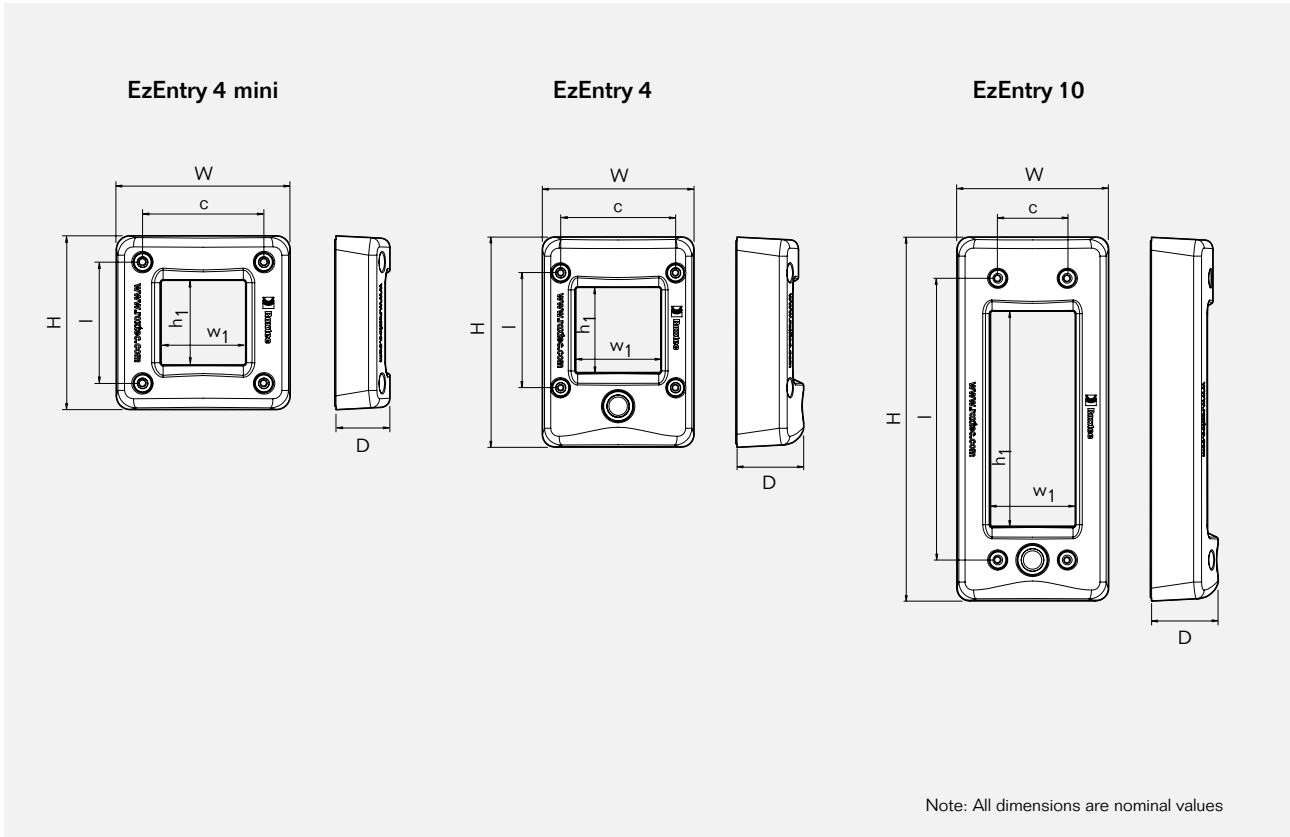
| Kit | Diameter range and number of cables/pipes | | | | | | Weight | | Art. No |
|------------------|---|---|---|--|---|--|--------|------|---------------|
| | 0+3.5-10.5 mm 0+0.138-0.413 in (GM 13.3w40) | 0+3.5-16.5 mm 0+0.138-0.650 in (GM 20w40) | 0+3.5-16.5 mm 0+0.138-0.650 in (EM 20w40) | 0+9.5-32.5 mm 0+0.374-1.280 in (EM 40 10-32) | 0+3.5-16.5 mm 0+0.138-0.650 in (CM 20w40) | 0+9.5-32.5 mm 0+0.374-1.280 in (CM 40 10-32) | (kg) | (lb) | |
| EzEntry 4 mini/4 | | 4 cables/pipes | | | | | 0.10 | 0.22 | EZ00000000440 |
| EzEntry 4 mini/9 | 9 cables/pipes | | | | | | 0.10 | 0.22 | EZ00000000490 |
| EzEntry 4/4 | | | 4 cables/pipes | | | | 0.13 | 0.29 | EZ00000000044 |
| EzEntry 10/4 | | | 2 cables/pipes | 2 cables/pipes | | | 0.30 | 0.65 | EZ00000001004 |
| EzEntry 10/7 | | | 6 cables/pipes | 1 cable/pipe | | | 0.30 | 0.65 | EZ00000001007 |
| EzEntry 10/10 | | | 10 cables/pipes | | | | 0.30 | 0.65 | EZ00000001010 |

EzEntry™ kit, integrated compression unit, PA 66 25% GF

| Kit | Diameter range and number of cables/pipes | | | | | | Weight | | Art. No |
|---------------|---|---|---|--|---|--|--------|------|---------------|
| | 0+3.5-10.5 mm 0+0.138-0.413 in (GM 13.3w40) | 0+3.5-16.5 mm 0+0.138-0.650 in (GM 20w40) | 0+3.5-16.5 mm 0+0.138-0.650 in (EM 20w40) | 0+9.5-32.5 mm 0+0.374-1.280 in (EM 40 10-32) | 0+3.5-16.5 mm 0+0.138-0.650 in (CM 20w40) | 0+9.5-32.5 mm 0+0.374-1.280 in (CM 40 10-32) | (kg) | (lb) | |
| EzEntry 16/4 | | | | 4 cables/pipes | | | 0.39 | 0.86 | EZ00000001604 |
| EzEntry 16/10 | | | 8 cables/pipes | 2 cables/pipes | | | 0.39 | 0.86 | EZ00000001610 |
| EzEntry 16/16 | | | 16 cables/pipes | | | | 0.39 | 0.86 | EZ00000001616 |
| EzEntry 24/6 | | | | | | 6 cables/pipes | 0.80 | 1.77 | EZ00000002406 |
| EzEntry 24/15 | | | | | 12 cables/pipes | 3 cables/pipes | 0.80 | 1.77 | EZ00000002415 |
| EzEntry 24/24 | | | | | 24 cables/pipes | | 0.80 | 1.77 | EZ00000002424 |
| EzEntry 32/8 | | | | | | 8 cables/pipes | 1.03 | 2.27 | EZ00000003208 |
| EzEntry 32/20 | | | | | 16 cables/pipes | 4 cables/pipes | 1.03 | 2.27 | EZ00000003220 |
| EzEntry 32/32 | | | | | 32 cables/pipes | | 1.03 | 2.27 | EZ00000003232 |

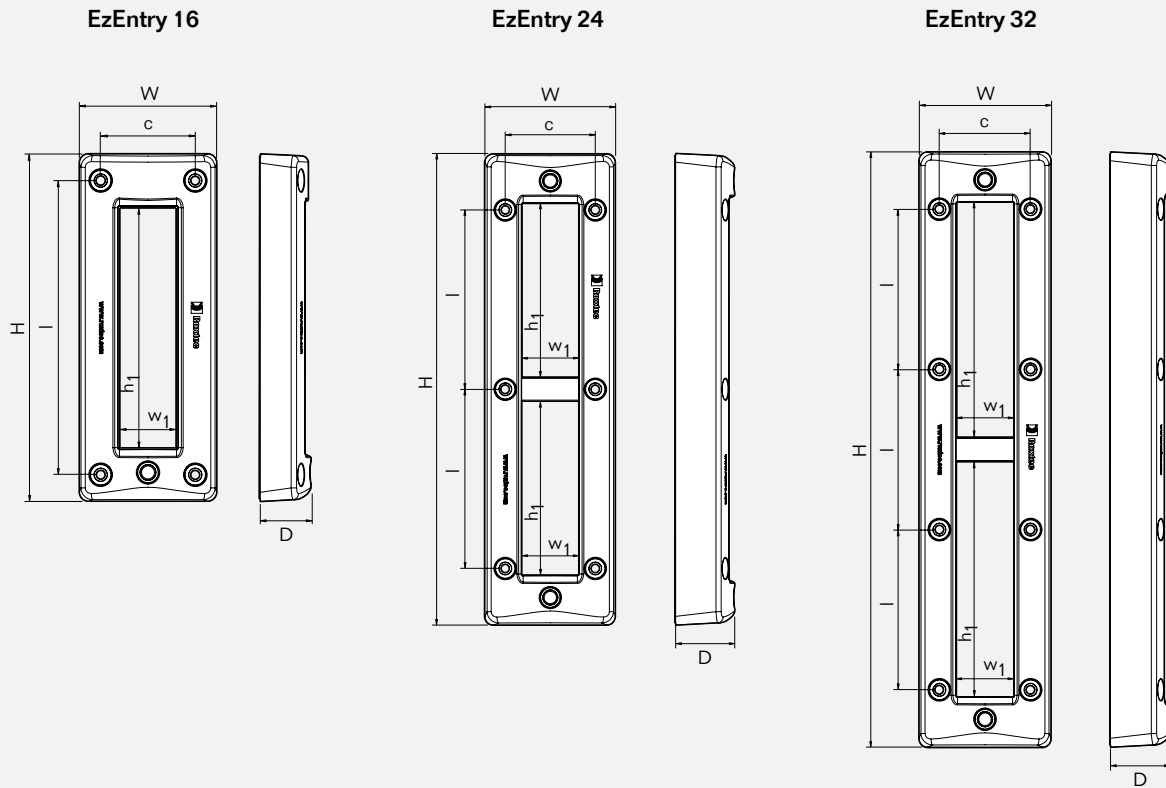
Modules and frames can be ordered separately.

EzEntry™, technical information



Note: All dimensions are nominal values

EzEntry™, technical information



| Pos | EzEntry 4 mini | | EzEntry 4 | | EzEntry 10 | | EzEntry 16 | | EzEntry 24 | | EzEntry 32 | |
|----------------|----------------|-------|-----------|-------|------------|-------|------------|-------|------------|--------|------------|--------|
| | (mm) | (in) | (mm) | (in) | (mm) | (in) | (mm) | (in) | (mm) | (in) | (mm) | (in) |
| c | 53 | 2.087 | 53 | 2.087 | 32 | 1.260 | 62 | 2.441 | 62 | 2.441 | 62 | 2.441 |
| D | 24 | 0.945 | 31 | 1.220 | 31 | 1.220 | 34 | 1.339 | 41 | 1.614 | 41 | 1.614 |
| H | 76 | 2.992 | 97 | 3.819 | 168 | 6.614 | 228 | 8.976 | 325 | 12.795 | 405 | 15.945 |
| h ₁ | 40 | 1.575 | 40 | 1.575 | 100 | 3.937 | 160 | 6.299 | 120 | 4.724 | 160 | 6.299 |
| l | 53 | 2.087 | 53 | 2.087 | 130 | 5.118 | 193 | 7.598 | 123.5 | 4.862 | 109 | 4.291 |
| w ₁ | 40 | 1.575 | 40 | 1.575 | 40 | 1.575 | 40 | 1.575 | 40 | 1.575 | 40 | 1.575 |
| W | 76 | 2.992 | 70 | 2.756 | 70 | 2.756 | 90 | 3.543 | 90 | 3.543 | 90 | 3.543 |

Max wall thickness (with nuts*):

EzEntry 4 mini: 3 mm (0.118")

EzEntry 16: 3.5 mm (0.138")

EzEntry 4, 10, 24, 32: 8 mm (0.315")

*The fasteners in the kit: self-tapping screws, washers and nuts

Note: All dimensions are nominal values



Roxtec CF 24 frame

The Roxtec CF 24 is a bolted together frame made from aluminum. Compression is integrated in the frame. The frame is easily installed around existing cables. The product is supplied as ready-made kits which include all necessary components.

- Attachment by bolting
- Openable to simplify retrofit



CF 24 kit, anodized aluminum



CF 24/8



CF 24/12



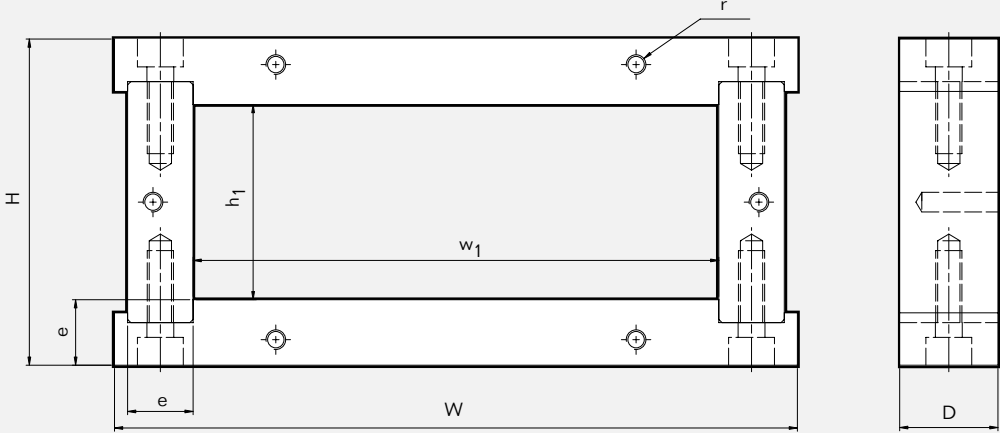
CF 24/28

RATINGS IP: 66/67 UL/NEMA: 4, 4X, 12, 13

| Kit | Number of cables/pipes | Diameter range and number of cables/pipes | | | | Weight | | Art. No |
|----------|------------------------|---|---|--|--|--------|-------|---------------|
| | | | | | | (kg) | (lb) | |
| | | 0+3.5-10.5 0+0.138-0.413 (CM 15w40) | 0+3.5-16.5 0+0.138-0.650 (CM 20W40) | 0+10.0-25.0 0+0.394-0.984 (CM 30w40) | 0+9.5-32.5 0+0.374-1.280 (CM 40 10-32) | | | |
| CF 24/8 | 8 | | | 8 cables/pipes | | 1.5 | 3.307 | CF00000240035 |
| CF 24/12 | 12 | | 8 cables/pipes | | 4 cables/pipes | 1.5 | 3.307 | CF00000241235 |
| CF 24/28 | 28 | 12 cables/pipes | 16 cables/pipes | | | 1.5 | 3.307 | CF00000242835 |

Modules and frames can be ordered separately.

CF 24, technical information



| Pos | (mm) | (in) |
|----------------|------|-------|
| e | 20 | 0.787 |
| H | 100 | 3.397 |
| h ₁ | 60 | 2.362 |
| W | 209 | 8.228 |
| w ₁ | 160 | 6.299 |
| r | M6 | M6 |
| D | 30 | 1.181 |

Max wall thickness: 10 mm (0.394")

If the wall is thinner than 2 mm, a Roxtec CF 24 counter frame 2EPB001024012 is recommended (not supplied in the kit)

Note: All dimensions are nominal values



Roctec RG M63 seal

The Roctec RG M63 entry seal is a cable gland type of seal with adaptable sealing modules at the center. The product is supplied as ready-made kits which include all necessary components.

- Attachment by counter ring nut
- For one to nine cables/pipes
- Allows use of pre-terminated cables
- Recommended knockout punch: Greenlee hole punch (size 2.52" /ISO 63)



RG M63 kit, nickel-plated brass

Also available in stainless steel



RG M63/1

RG M63/4

RG M63/9

Installation tools



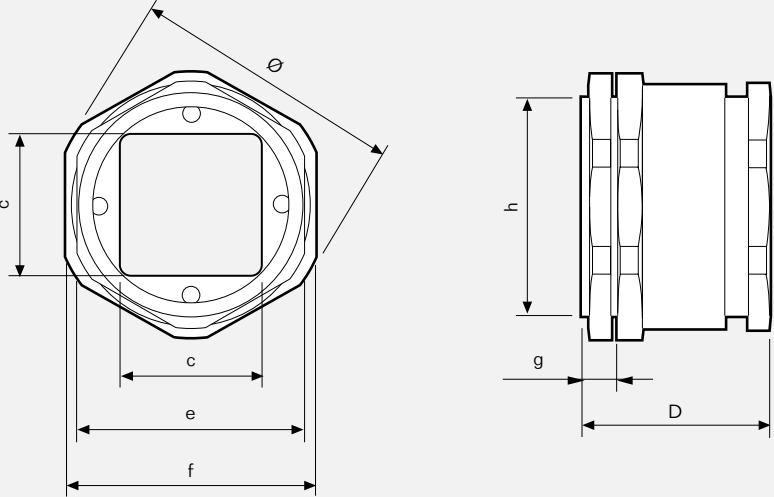
page 52

RATINGS IP: 67 UL/NEMA: 4, 4X, 12, 13

| Kit | Number of cables/pipes | Diameter range and number of cables/pipes | | | External dimensions | | Weight | | Art. No |
|----------|------------------------|---|---|--|---------------------|---------------|--------|-------|---------------|
| | | ØxH (mm) | ØxH (in) | Number of cables/pipes | ØxD (mm) | ØxD (in) | (kg) | (lb) | |
| RG M63/1 | 1 | 0+3.5-10.5 mm 0+0.138-0.413 in (GM 13,3w40) | 0+3.5-16.5 mm 0+0.138-0.650 in (GM 20w40) | 0+9.5-32.5 mm 0+0.374-1.280 in (GM 40 10-32) | 74 x 51 | 2.913 x 2.008 | 0.5 | 1.213 | RG00063010046 |
| RG M63/4 | 4 | | 4 cables/pipes | | 74 x 51 | 2.913 x 2.008 | 0.5 | 1.213 | RG00063040046 |
| RG M63/9 | 9 | 9 cables/pipes | | | 74 x 51 | 2.913 x 2.008 | 0.5 | 1.213 | RG00063090046 |

Modules and seals can be ordered separately.

RG M63 kit, technical information



| Pos | (mm) | (in) |
|-----|---------|----------|
| c | 40 | 1.575 |
| e | SW 64 | SW 2.520 |
| f | SW 68 | SW 2.677 |
| g | 10 | 0.394 |
| h | M63x1.5 | M63x1.5 |
| D | 51 | 2.008 |
| Ø | 74 | 2.913 |

Max wall thickness: 4 mm (0.157")

Note: All dimensions are nominal values



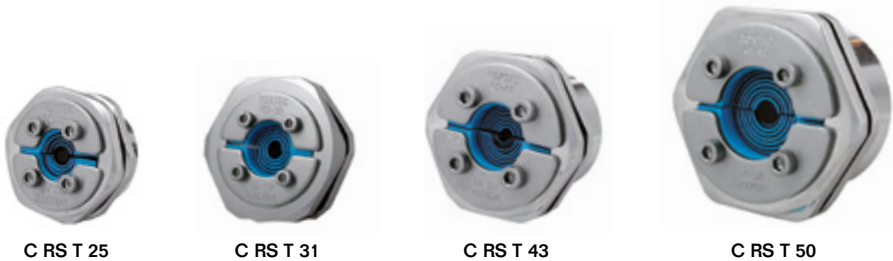
Roxtec C RS T seal

The Roxtec C RS T entry seal is a small-sized solution for cabinets and equipment. The product is supplied as ready-made kits which include all necessary components.

- Attachment by counter ring nut
- For one cable or pipe
- Allows use of pre-terminated cables



C RS T kit, nickel-plated brass and acid-proof stainless steel fittings

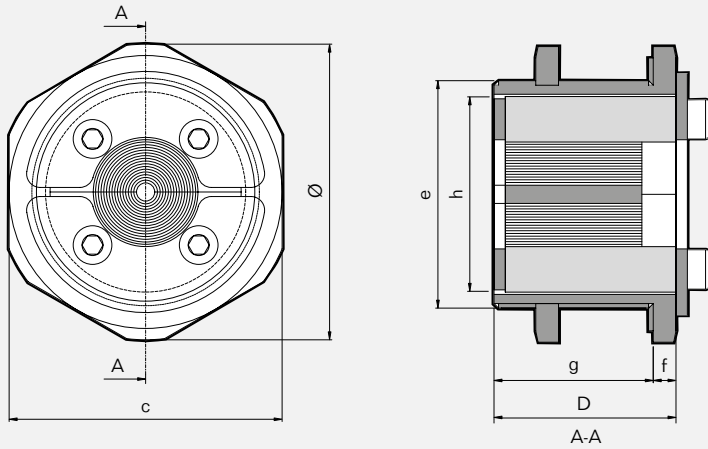


Also available in stainless steel

RATINGS IP: 66/67, 69K UL /NEMA: 4, 4X, 12, 13

| Kit | Aperture dim. +1/-0 mm (+0.0394"/-0") | | For cable/pipe | | External dimensions sleeve | | Weight sleeve | | Art. No |
|-----------|--|--------|----------------|---------------|----------------------------|---------------|---------------|-------|---------------|
| | Ø (mm) | Ø (in) | Ø (mm) | Ø (in) | ØxD (mm) | ØxD (in) | (kg) | (lb) | |
| C RS T 25 | 32 | 1.260 | 0+3.6-12.0 | 0+0.142-0.472 | 39 x 20 | 1.535 x 0.787 | 0.1 | 0.220 | CRST010025046 |
| C RS T 31 | 40 | 1.575 | 0+4.0-17.0 | 0+0.157-0.669 | 50 x 20 | 1.969 x 0.787 | 0.2 | 0.331 | CRST010031046 |
| C RS T 43 | 50 | 1.969 | 0+4.0-23.0 | 0+0.157-0.906 | 65 x 40 | 2.559 x 1.575 | 0.4 | 0.882 | CRST010043046 |
| C RS T 50 | 63 | 2.480 | 0+8.0-30.0 | 0+0.315-1.181 | 78 x 40 | 3.071 x 1.575 | 0.7 | 1.433 | CRST010050046 |

C R S T kit, technical information



| Pos | C R S T 25 | | C R S T 31 | | C R S T 43 | | C R S T 50 | |
|----------------|------------|-------------|------------|-------------|------------|-------------|------------|-------------|
| | (mm) | (in) | (mm) | (in) | (mm) | (in) | (mm) | (in) |
| c | 36 | 1.417 | 46 | 1.811 | 60 | 2.362 | 70 | 2.756 |
| e | M 32 x 1.5 | M 32 x 1.5 | M40x1.5 | M40x1.5 | M50x1.5 | M50x1.5 | M63x1.5 | M63x1.5 |
| f | 4 | 0.157 | 5 | 0.197 | 5 | 0.197 | 6 | 0.236 |
| g | 16 | 0.630 | 15 | 0.591 | 35 | 1.378 | 34 | 1.339 |
| h | 25 | 0.984 | 31 | 1.220 | 43 | 1.693 | 50 | 1.969 |
| D | 20 | 0.787 | 20 | 0.787 | 40 | 1.575 | 40 | 1.575 |
| Ø | 39 | 1.535 | 50 | 1.969 | 65 | 2.559 | 78 | 3.071 |
| Wall thickness | 1-10 | 0.039-0.394 | 1-8 | 0.039-0.315 | 1-28 | 0.039-1.102 | 1-26 | 0.039-1.024 |

Note: All dimensions are nominal values



Roxel CF 8/ CF 32 frames

The Roxel CF 8 and CF 32 entry seals are made from cast aluminum. The compression unit is integrated in the frame. The product is supplied as ready-made kits which include all necessary components.

■ Attachment by bolting



CF 8/CF 32 kits, integrated compression unit, aluminum



CF 8/5



CF 8/8



CF 8/9



CF 32/20



CF 32/32



CF 32/41

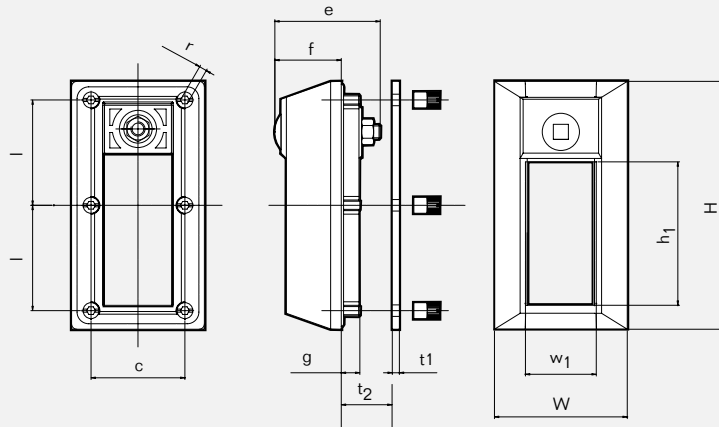
RATINGS IP: 66/67 UL/NEMA: 4, 4X, 12, 13

| Kit | Diameter range and number of cables/pipes | | | | External dimensions | | Weight | | Art. No |
|----------|---|---|--|--|---------------------|---------------|--------|-------|---------------|
| | HxW (mm) | HxW (in) | (kg) | (lb) | | | | | |
| | 0+3.5-10.5 0+0.138-0.413 (CM 15W40) | 0+3.5-16.5 0+0.138-0.650 (CM 20w40) | 0+10.0-25.0 0+0.394-0.984 (CM 30w40) | 0+9.5-32.5 0+0.374-1.280 (CM 40 10-32) | | | | | |
| CF 8/5 | | 4 cables/pipes | | 1 cable/pipe | 140 x 75 | 5.512 x 2.952 | 0.7 | 1.543 | CKT8000000005 |
| CF 8/8 | | 8 cables/pipes | | | 140 x 75 | 5.512 x 2.952 | 0.7 | 1.543 | CKT8000000008 |
| CF 8/9 | 6 cables/pipes | 2 cables/pipes | 1 cable/pipe | | 140 x 75 | 5.512 x 2.952 | 0.7 | 1.543 | CKT0000000009 |
| CF 32/20 | | 16 cables/pipes | | 4 cables/pipes | 230 x 130 | 9.055 x 5.118 | 2.0 | 4.409 | CKT3200000020 |
| CF 32/32 | | 32 cables/pipes | | | 230 x 130 | 9.055 x 5.118 | 2.0 | 4.409 | CKT3200000032 |
| CF 32/41 | 24 cables/pipes | 16 cables/pipes | | 1 cable/pipe | 230 x 130 | 9.055 x 5.118 | 2.0 | 4.409 | CKT3200000041 |

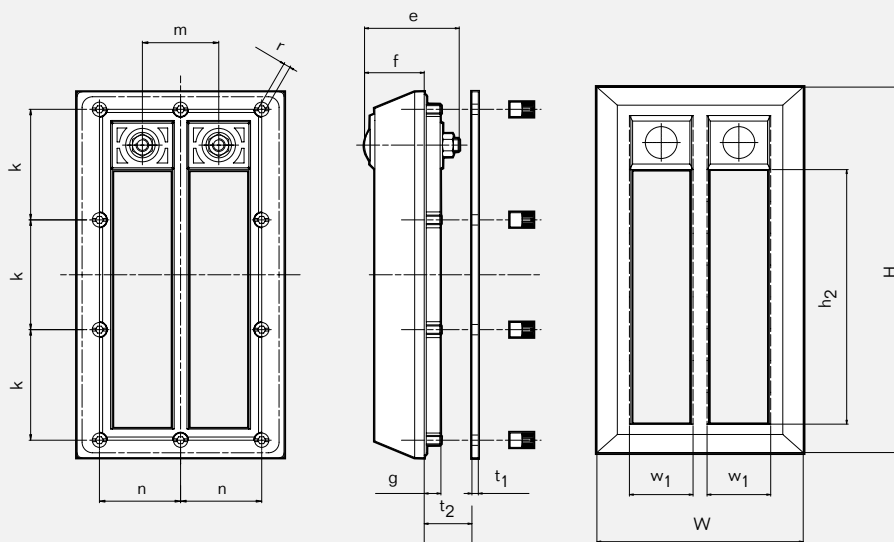
Modules and frames can be ordered separately.

CF 8/CF 32 frames, technical information

CF 8



CF 32



| Pos | (mm) | (in) |
|-----|------|-------|
| c | 53 | 2.087 |
| e | 59 | 2.323 |
| f | 38 | 1.496 |
| g | 12 | 0.472 |
| l | 60 | 2.362 |

| Pos | (mm) | (in) |
|----------------|------|----------|
| k | 70 | 2.756 |
| m | 48 | 1.890 |
| n | 51 | 2.008 |
| r | SW 4 | SW 0.157 |
| t ₁ | 4 | 0.157 |

| Pos | (mm) | (in) |
|----------------|-------------------------|-----------|
| t ₂ | Wall thickness Max 4 | Max 0.157 |
| h ₁ | 80 | 3.150 |
| h ₂ | 160 | 6.299 |
| w ₁ | 40 | 1.575 |

Note: All dimensions are nominal values



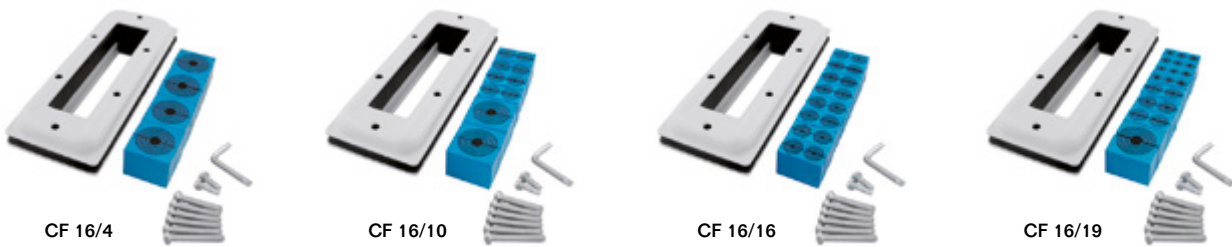
Roxtec CF 16 frame

The Roxtec CF 16 is a low-profile metal frame. Compression is integrated in the frame. Adapter plates are available for standardized openings in cabinets. The product is supplied as ready-made kits which include all necessary components.

- Attachment by bolting
- Available in openable version for easy retrofit and installation around existing cables and pipes



CF 16 kit, powder coated mild steel



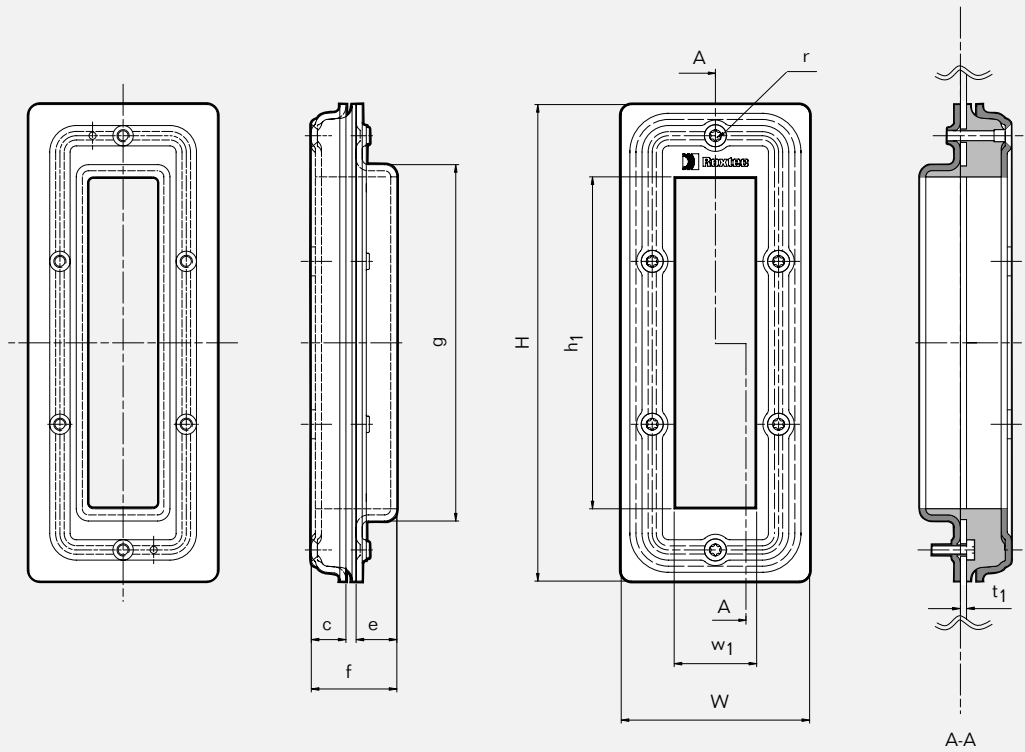
Also available in stainless steel

RATINGS IP: 66/67 UL/NEMA: 4, 4X, 12, 13

| Kit | Number of cables/pipes | Diameter range and number of cables/pipes | | | External dimensions | | Weight | | Art. No |
|----------|------------------------|---|---|--|---------------------|---------------|--------|-------|---------------|
| | | 0+3.5-10.5 0+0.138-0.413 (CM 15W40) | 0+3.5-16.5 0+0.138-0.650 (CM 20w40) | 0+9.5-32.5 0+0.374-1.280 (CM 40 10-32) | HxW (mm) | HxW (in) | (kg) | (lb) | |
| CF 16/4 | 4 | | | 4 cables/pipes | 234 x 93 | 9.213 x 3.661 | 1.7 | 3.748 | CKT0008020004 |
| CF 16/10 | 10 | | 8 cables/pipes | 2 cables/pipes | 234 x 93 | 9.213 x 3.661 | 1.7 | 3.748 | CKT0008020010 |
| CF 16/16 | 16 | | 16 cables/pipes | | 234 x 93 | 9.213 x 3.661 | 1.7 | 3.748 | CKT0008020016 |
| CF 16/19 | 19 | 12 cables/pipes | 6 cables/pipes | 1 cable/pipe | 234 x 93 | 9.213 x 3.661 | 1.7 | 3.748 | CKT0008020119 |

Modules and frames can be ordered separately.

CF 16 frame, technical information



| Pos | (mm) | (in) |
|----------------------|---------|-----------|
| c | 17 | 0.669 |
| e | 20 | 0.787 |
| f | 42 | 1.654 |
| g | 175 | 6.890 |
| h_1 | 160 | 6.299 |
| w_1 | 40 | 1.575 |
| t_1 Wall thickness | Max 4 | Max 0.157 |
| r | SW TX25 | SW TX 25 |

Note: All dimensions are nominal values



Roxtec HD 32

The Roxtec HD 32 (High Density) is a corrosion resistant cable entry seal for sealing and terminating up to 32 cables in one single cut-out in junction and terminal boxes. The seal is designed to withstand the harshest of environments and it is approved for use in hazardous and industrial applications as a direct replacement to cable glands. The product is supplied as ready-made kits which include all necessary components.

- 316L stainless steel material
- Extremely area efficient
- Adapts to cables of different sizes



HD 32 kit, integrated compression unit, acid-proof stainless steel



HD 32/8



HD 32/20



HD 32/32



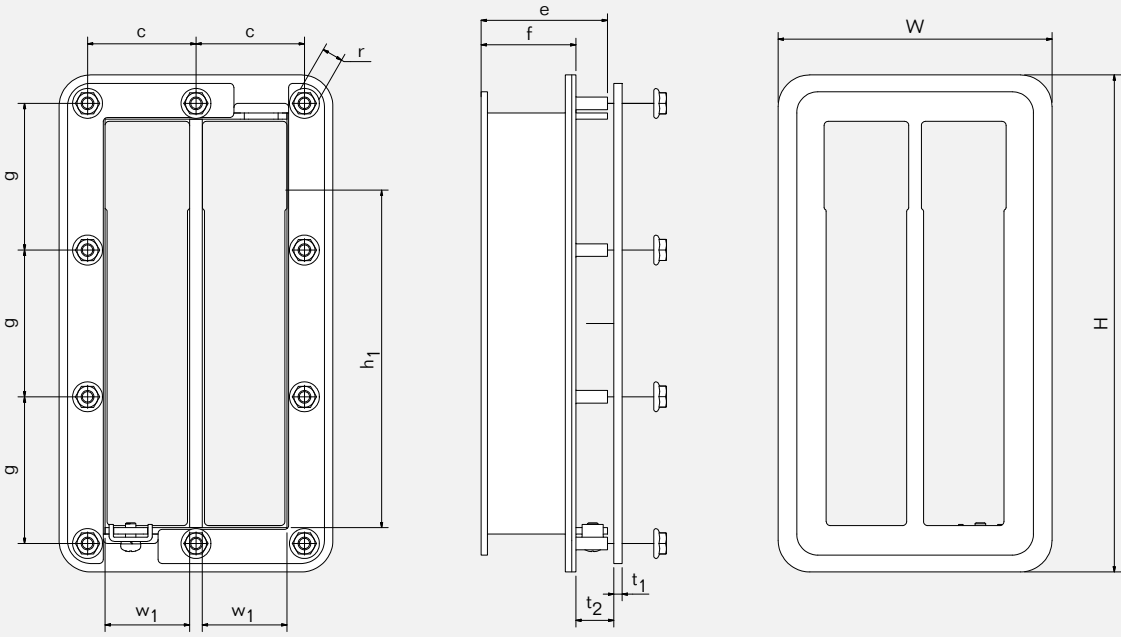
HD 32/41

RATINGS IP: 66/67 UL /NEMA: 4, 4X, 12, 13

| Kit | Number of cables/pipes | Diameter range and number of cables/pipes | | | External dimensions | | Weight | | Art. No |
|----------|------------------------|---|---|--|---------------------|-----------|--------|------|---------|
| | | 0+9.5-31.5 mm 0+0.37-1.24" (HD 40) | 0+3.5-15.5 mm 0+0.0.14-0.61" (HD 20w40) | 0+3.5-9.5 mm 0+0.0.14-0.37" (HD 15w40) | HxW (mm) | HxW (in) | (kg) | (lb) | |
| HD 32/8 | 8 | 8 cables/pipes | | | 236 x 130 | 9.3 x 5.1 | 3 | 6.8 | 112276 |
| HD 32/20 | 20 | 4 cables/pipes | 16 cables/pipes | | 236 x 130 | 9.3 x 5.1 | 3 | 6.8 | 112278 |
| HD 32/32 | 32 | | 32 cables/pipes | | 236 x 130 | 9.3 x 5.1 | 3 | 6.8 | 112279 |
| HD 32/41 | 41 | 1 cable/pipe | 16 cables/pipes | 24 cables/pipes | 236 x 130 | 9.3 x 5.1 | 3 | 6.8 | 112280 |

Modules and frames can be ordered separately.
Available in Ex version.

HD 32 frame, technical information



| Pos | (mm) | (in) |
|----------------------|-------|-----------|
| c | 51.5 | 2.02 |
| e | 60 | 1.36 |
| f | 45 | 1.77 |
| g | 69.7 | 2.75 |
| h_1 | 160 | 6.3 |
| w_1 | 40 | 1.57 |
| t_1 | 4 | 0.15 |
| t_2 Wall thickness | Max 4 | Max 0.157 |
| r | SW10 | 0.4 |

Note: All dimensions are nominal values



Roxtec C KFO frame

The Roxtec C KFO is a light-weight composite frame in size 6x1. The frame is openable for easy installation around existing cables. The product is supplied as ready-made kits which include all necessary components.

- Attachment by bolting
- Available with or without flange
- Available with stainless steel fasteners upon request

C KFO frame, PA 6.6, 30% GF - flange, PP



C KFO 6x1



C KFO 6x1 with flange



C KFO Counter frame

Parts needed for a complete solution



page 46

RATINGS

IP: 55

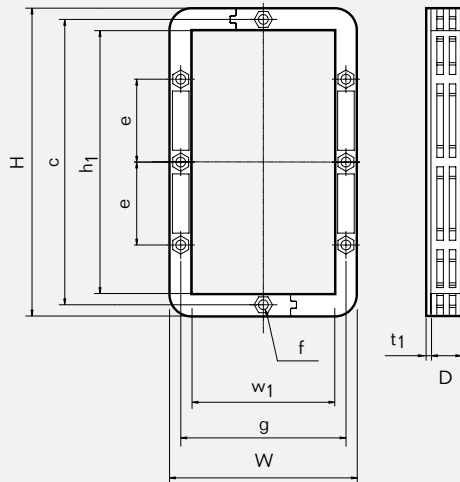
| Frame | For No. openings | Packing space (mm) | External dimensions | | Weight | | Art. No |
|-----------------------|------------------|--------------------|---------------------|-----------------|--------|-------|---------------|
| | | | HxW (mm) | HxW (in) | (kg) | (lb) | |
| C KFO 6x1 | 1 | 180 x 120 | 260 x 159 | 10.236 x 6.260 | 0.6 | 1.323 | CKF0000060059 |
| C KFO 6x1 with flange | 1 | 180 x 120 | 420 x 319 | 16.535 x 12.559 | 1.2 | 2.646 | CKF1000060059 |
| C KFO Counter frame* | 1 | 180 x 120 | 262 x 161 | 10.315 x 6.338 | 0.4 | 0.882 | KFC0000100011 |

* The C KFO Counter frame is recommended if the wall is 1.5 mm (0.059") or thinner.

Modules and frames can be ordered separately.

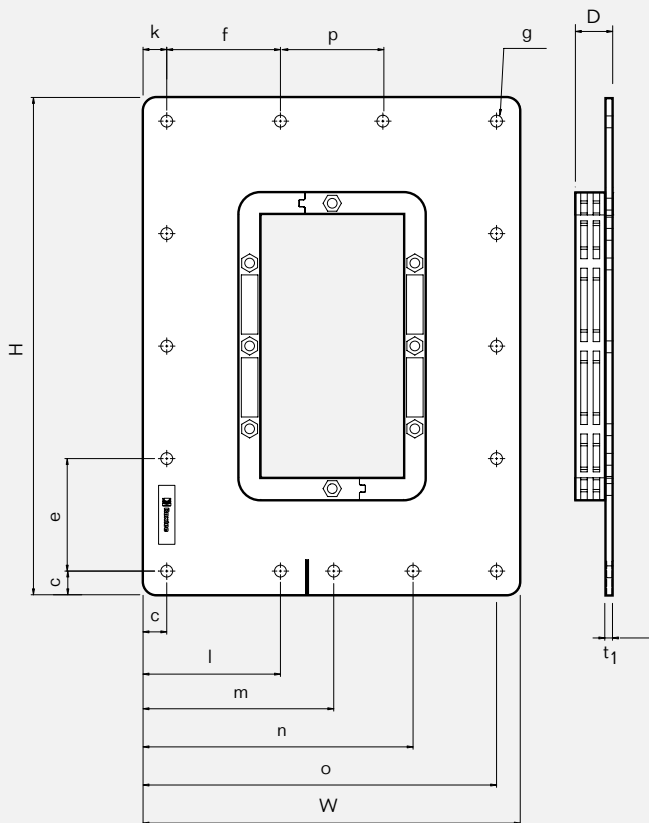
C KFO frame, technical information

C KFO 6x1



| Pos | (mm) | (in) |
|----------------|------------|--------------|
| c | 241 | 9.488 |
| e | 70 | 2.756 |
| f | Ø 8.2 (8x) | Ø 0.323 (8x) |
| g | 140 | 5.512 |
| h ₁ | 222 | 8.740 |
| w ₁ | 120 | 4.724 |
| t ₁ | gasket 2 | 0.079 |
| D | 26 | 1.024 |

C KFO 6x1 with flange

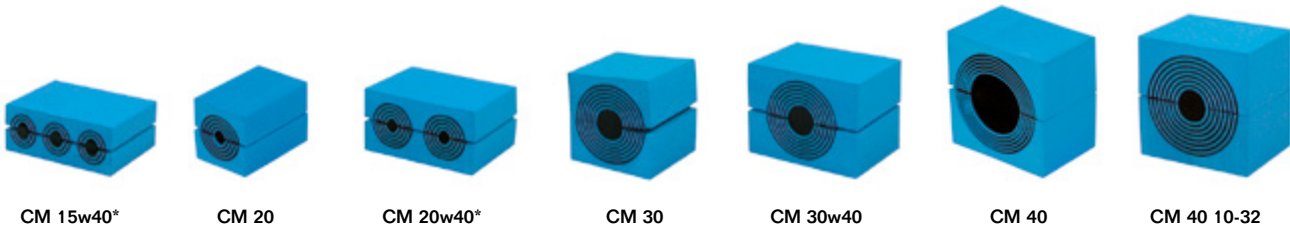


| Pos | (mm) | (in) |
|----------------|------------|---------------|
| c | 20 | 0.787 |
| e | 95 (4x) | 3.740 (4x) |
| f | 96 (2x) | 3.780 (2x) |
| g | Ø 10 (23x) | Ø 0.394 (23x) |
| l | 116 | 4.567 |
| m | 161 | 6.339 |
| n | 228 | 8.976 |
| o | 299 | 11.772 |
| t ₁ | 8 | 0.315 |
| p | 87 | 3.425 |
| D | 34 | 1.339 |

Max wall thickness: 6 mm (0.236")

Note: All dimensions are nominal values

Roxtec CM modules



* Whenever possible we recommend choosing twin or triplet modules like CM20w40 or CM15w40. Benefits are higher area efficiency per frame opening, quicker installation and improved cost-effectiveness.

| Module | Number of cables/pipes | For cable/pipe diameter | | External dim. (mm) HxW (D=30 mm) | Weight (max) | | Art. No |
|-------------|------------------------|--|--|-------------------------------------|--------------|-------|---------------|
| | | \varnothing_a - \varnothing_b (mm) | \varnothing_a - \varnothing_b (in) | | (kg) | (lb) | |
| CM 15w40* | 3 | 0+ 3.5-10.5 | 0+ 0.138-0.413 | 15 x 40 | 0.03 | 0.055 | C000115401000 |
| CM 20 | 1 | 0+ 4.0-14.5 | 0+ 0.157-0.571 | 20 x 20 | 0.02 | 0.044 | C000100201000 |
| CM 20w40* | 2 | 0+ 3.5-16.5 | 0+ 0.138-0.650 | 20 x 40 | 0.04 | 0.077 | C000120401000 |
| CM 30 | 1 | 0+ 10.0-25.0 | 0+ 0.394-0.984 | 30 x 30 | 0.04 | 0.088 | C000100301000 |
| CM 30w40 | 1 | 0+ 10.0-25.0 | 0+ 0.394-0.984 | 30 x 40 | 0.06 | 0.121 | C000130401000 |
| CM 40 | 1 | 0+ 21.5-34.5 | 0+ 0.846-1.358 | 40 x 40 | 0.07 | 0.135 | 5CM0000008983 |
| CM 40 10-32 | 1 | 0+ 9.5-32.5 | 0+ 0.374-1.280 | 40 x 40 | 0.07 | 0.135 | C000140101000 |

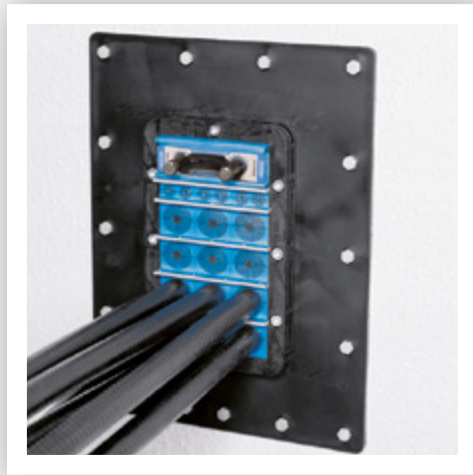
C Wedge kit/parts, galvanized



C Wedge kit galv

The wedge kit includes one Roxtec Wedge 120, five stayplates, one lubricant and installation instructions.

| Wedge | External dimensions | | Weight | | Art. No |
|------------------|---------------------|--------|--------|-------|---------------|
| | W (mm) | W (in) | (kg) | (lb) | |
| C Wedge kit galv | 120 | 4.724 | 0.65 | 1.443 | AWK2001201018 |



Roxtec KFO frame

The Roxtec KFO is a light-weight composite frame in size 6x1. The frame is openable for easy installation around existing cables and pipes. Upon request, the product can be supplied as ready-made kits including all necessary components.

- Attachment by bolting
- Available with or without flange
- Available with stainless steel fasteners upon request to meet requirements in aggressive corrosive environments

KFO frame, PA 6.6, 30% GF - flange, PP



KFO 6x1

KFO 6x1 with flange

Parts needed for a complete solution



page 51

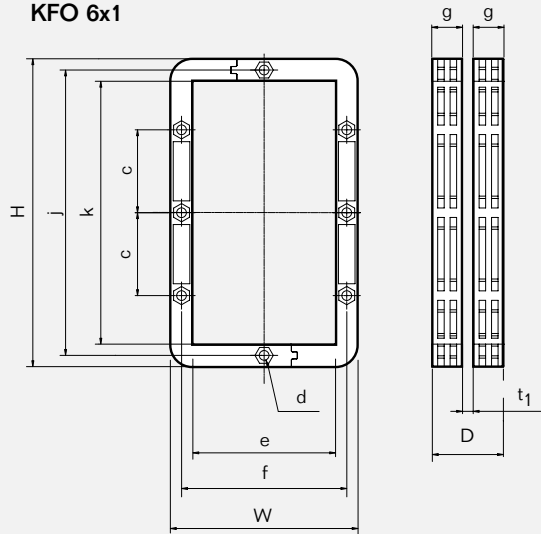
RATINGS

IP: 66/67

| Frame | For No. openings | Packing space (mm) | External dimensions | | Weight | | Art. No |
|---------------------|------------------|--------------------|---------------------|-----------------|--------|-------|---------------|
| | | | HxW (mm) | HxW (in) | (kg) | (lb) | |
| KFO 6x1 | 1 | 180 x 120 | 260 x 159 | 10.236 x 6.260 | 1.0 | 2.094 | KFO0000060059 |
| KFO 6x1 with flange | 1 | 180 x 120 | 420 x 319 | 16.535 x 12.559 | 1.6 | 3.417 | KFO1000060059 |

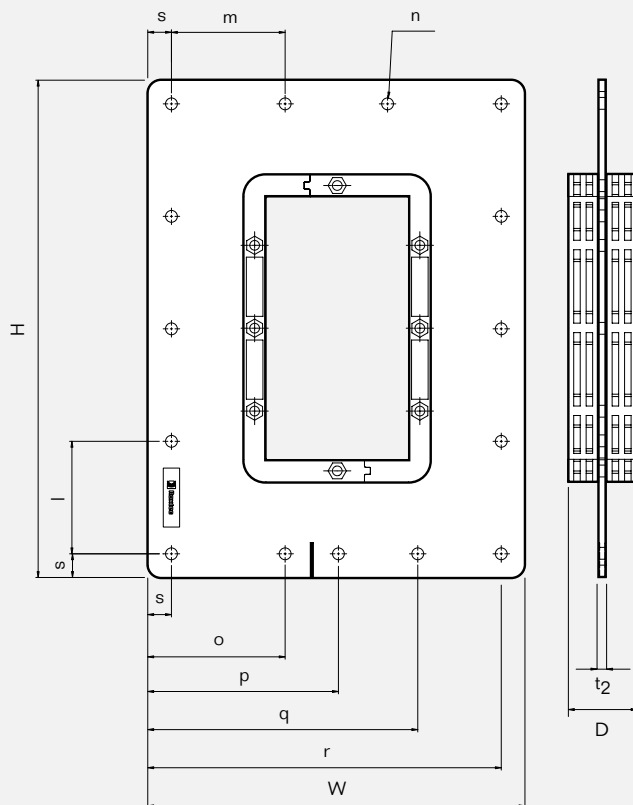
KFO frame, technical information

KFO 6x1



| Pos | (mm) | (in) |
|----------------|--------------------|--------------|
| c | 70 | 2.756 |
| d | Ø 8.2 (8x) | Ø 0.323 (8x) |
| e | 120 | 4.724 |
| f | 140 | 5.512 |
| g | 26 | 1.024 |
| j | 241 | 9.488 |
| k | 222 | 8.740 |
| t ₁ | Wall thickness 5-8 | 0.197-0.315 |
| D | 57-60 | 2.244-2.362 |

KFO 6x1 with flange



| Pos | (mm) | (in) |
|----------------|------------|---------------|
| l | 95 (4x) | 3.740 (4x) |
| m | 96 (3x) | 3.780 (3x) |
| n | Ø 10 (23x) | Ø 0.394 (23x) |
| o | 116 | 4.567 |
| p | 160 | 6.299 |
| q | 220 | 8.661 |
| r | 299 | 11.772 |
| s | 20 | 0.787 |
| t ₂ | 8 | 0.315 |
| D | 60 | 2.362 |

Note: All dimensions are nominal values



Roxel GHM frame

The Roxel GHM frame is a flanged metal frame designed for installation through bolting. The frame is sealed onto the structure by use of TSL sealing strip and used with adaptable sealing modules. Upon request, the product can be supplied as ready-made kits including all necessary components.

- Attachment by bolting
- Drilled according to standardized hole pattern



GHM frame, acid-proof stainless steel



GHM 6x1 AISI 316

Parts needed for a complete solution



page 51

Also available in galvanized mild steel.

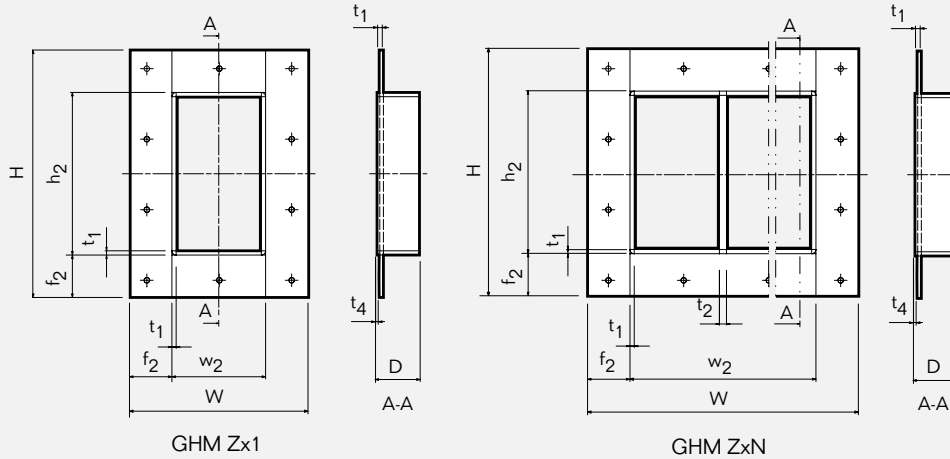
For shielded EMC applications a conductive gasket is required.

For information about other frame combinations, please contact your local Roxel supplier or e-mail: info@roxtec.com

RATINGS IP: 66/67 UL/NEMA: 4, 4X, 12, 13

| Frame | Frame openings | Packing space (mm) | External dimensions (D=60mm) | | Weight | | Art. No |
|-------------------------------|----------------|--------------------|------------------------------|-----------------|--------|--------|---------------|
| | | | HxW (mm) | HxW (in) | (kg) | (lb) | |
| GHM 2x1 AISI316 INCL TSL 15x6 | 1 | 60 x 120 | 233 x 253 | 9.173 x 9.961 | 3.4 | 7.562 | 5GHM000003379 |
| GHM 2x2 AISI316 INCL TSL 15x6 | 2 | 60 x 120 | 233 x 383 | 9.173 x 15.079 | 5.4 | 11.905 | 151674 |
| GHM 2x3 AISI316 INCL TSL 15x6 | 3 | 60 x 120 | 233 x 514 | 9.173 x 20.236 | 7.4 | 16.218 | 109390 |
| GHM 4x1 AISI316 INCL TSL 15x6 | 1 | 120 x 120 | 292 x 253 | 11.496 x 9.961 | 4.1 | 9.039 | 5GHM000003380 |
| GHM 4x2 AISI316 INCL TSL 15x6 | 2 | 120 x 120 | 292 x 383 | 11.496 x 15.079 | 6.3 | 13.977 | 110624 |
| GHM 4x3 AISI316 INCL TSL 15x6 | 3 | 120 x 120 | 292 x 514 | 11.496 x 20.236 | 8.6 | 18.938 | GHM400000321 |
| GHM 6x1 AISI316 INCL TSL 15x6 | 1 | 180 x 120 | 350 x 253 | 13.780 x 13.961 | 4.8 | 10.516 | 150388 |
| GHM 6x2 AISI316 INCL TSL 15x6 | 2 | 180 x 120 | 350 x 383 | 13.780 x 15.079 | 7.3 | 16.072 | 107786 |
| GHM 6x3 AISI316 INCL TSL 15x6 | 3 | 180 x 120 | 350 x 514 | 13.780 x 20.236 | 9.8 | 21.627 | 110623 |

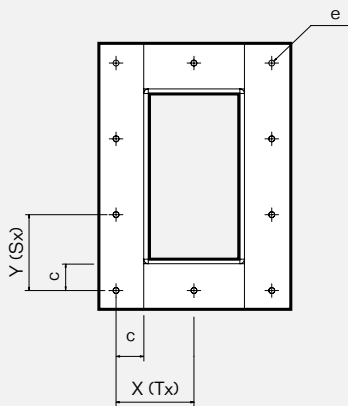
GHM frames, technical information



| Pos | (mm) | (in) |
|----------------|---------|-----------|
| h ₂ | H - 120 | H - 4.724 |
| w ₂ | W - 120 | W - 4.724 |
| D | 60 | 2.362 |
| f ₂ | 60 | 2.362 |
| t ₁ | 6 | 0.263 |
| t ₂ | 10 | 0.394 |
| t ₃ | 12 | 0.394 |
| t ₄ | 3 | 0.118 |
| e | 10 | 0.394 |
| c | 35 | 1.378 |

Z = Frame size
N = Number of horizontal openings

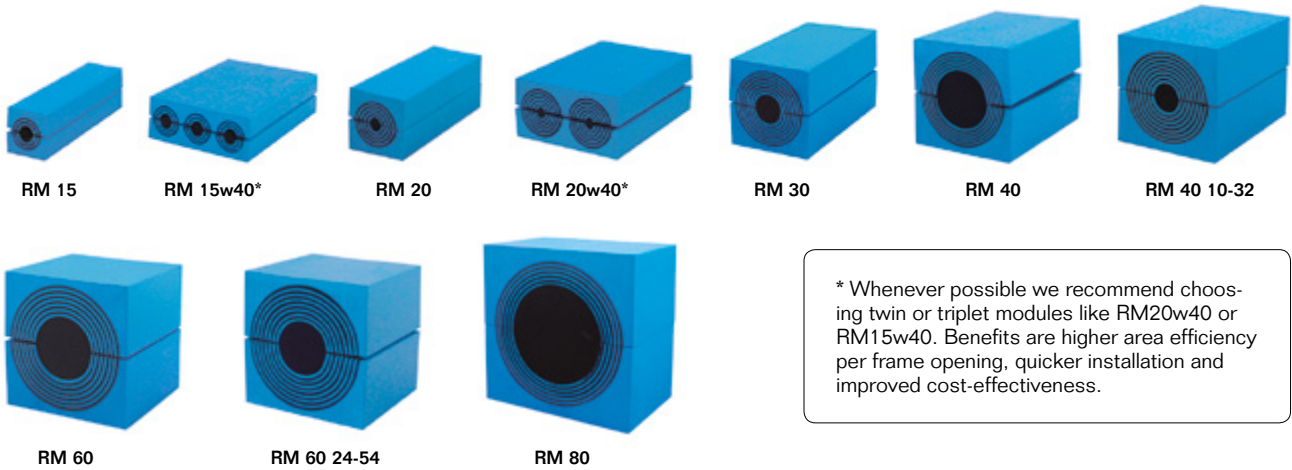
Hole pattern



| | X (Tx) | | | Y (Sx) | | |
|---------|--------|--------|---|--------|--------|---|
| | X (mm) | X (in) | T | Y (mm) | Y (in) | S |
| GHM 2x1 | 101.3 | 3.988 | 2 | 91.5 | 3.602 | 2 |
| GHM 2x2 | 111 | 4.370 | 3 | 91.5 | 3.602 | 2 |
| GHM 2x3 | 92.7 | 3.650 | 5 | 91.5 | 3.602 | 2 |
| GHM 4x1 | 101.3 | 3.988 | 2 | 80.5 | 3.169 | 3 |
| GHM 4x2 | 111 | 4.370 | 3 | 80.5 | 3.169 | 3 |
| GHM 4x3 | 92.7 | 3.650 | 5 | 80.5 | 3.169 | 3 |
| GHM 6x1 | 101.3 | 3.988 | 2 | 75 | 2.953 | 4 |
| GHM 6x2 | 111 | 4.370 | 3 | 75 | 2.953 | 4 |
| GHM 6x3 | 92.7 | 3.650 | 5 | 75 | 2.953 | 4 |

Note: All dimensions are nominal values

Roxtec RM modules



* Whenever possible we recommend choosing twin or triplet modules like RM20w40 or RM15w40. Benefits are higher area efficiency per frame opening, quicker installation and improved cost-effectiveness.

| Module | Number of cables/pipes | For cable/pipe diameter | | External dim. (mm) HxW (D=60 mm) | Weight (max) | | Art. No |
|-------------|------------------------|-------------------------------------|-------------------------------------|-------------------------------------|--------------|-------|---------------|
| | | Ø _a -Ø _b (mm) | Ø _a -Ø _b (in) | | (kg) | (lb) | |
| RM 15 | 1 | 0+ 3.0-11.0 | 0+ 0.118-0.433 | 15x15 | 0.02 | 0.044 | RM00100151000 |
| RM 15w40* | 3 | 0+ 3.5-10.5 | 0+ 0.138-0.413 | 15x40 | 0.05 | 0.110 | RM00115401000 |
| RM 20 | 1 | 0+ 4.0-14.5 | 0+ 0.157-0.571 | 20x20 | 0.04 | 0.088 | RM00100201000 |
| RM 20w40* | 2 | 0+ 3.5-16.5 | 0+ 0.138-0.650 | 20x40 | 0.07 | 0.154 | RM00120401000 |
| RM 30 | 1 | 0+ 10.0-25.0 | 0+ 0.394-0.984 | 30x30 | 0.08 | 0.176 | RM00100301000 |
| RM 40 | 1 | 0+ 21.5-34.5 | 0+ 0.846-1.358 | 40x40 | 0.14 | 0.309 | RM00100401000 |
| RM 40 10-32 | 1 | 0+ 9.5-32.5 | 0+ 0.374-1.280 | 40x40 | 0.14 | 0.309 | RM00140101000 |
| RM 60 | 1 | 0+ 28.0-54.0 | 0+ 1.102-2.126 | 60x60 | 0.33 | 0.728 | RM00100601000 |
| RM 60 24-54 | 1 | 0+ 24.0-54.0 | 0+ 0.945-2.126 | 60x60 | 0.33 | 0.728 | RM00160201000 |
| RM 80 | 1 | 0+ 48.0-71.0 | 0+ 1.890-2.795 | 80x80 | 0.59 | 1.301 | 5RM0000003350 |

Wedge kits, galvanized/acid-proof stainless steel



Wedge kit 120 galv

The wedge kit includes one Roxtec Wedge 120, five stayplates, one wedge clip, one lubricant and installation instructions.

| Wedge | External dimensions | | Weight | | Art. No |
|-----------------------------------|---------------------|---------------|--------|-------|---------------|
| | W (mm) | W (in) | (kg) | (lb) | |
| GALVANIZED | | | | | |
| Wedge kit galv | (wedge) 120 | (wedge) 4.724 | 1.5 | 3.307 | AWK0001201018 |
| ACID PROOF STAINLESS STEEL | | | | | |
| Wedge kit AISI 316 | (wedge) 120 | (wedge) 4.724 | 1.5 | 3.307 | AWK0001201021 |

Installation/disassembly tools



Pre-compression tool, small



Pre-compression tool, large



Pre-compression eccentric tool, small



Pre-compression eccentric tool, large



Pre-compression eccentric tool, compact



Handgrip pre-compression tool



Pre-compression wedge 60/40



Pre-compression wedge 120



Stayplate clamps horizontal inst



Stayplate clip



RG M63 tools



RG M63 tool 3/8 grip



Module Adaption Indicator

| Tool | For use with | Art. No |
|---|--|---------------|
| Pre-compression tool, small | KFO, GHM | 5ICT000001269 |
| Pre-compression tool, large | KFO, GHM | ICT0001000000 |
| Pre-compression eccentric tool, small | KFO, GHM | ICT0001000302 |
| Pre-compression eccentric tool, large | KFO, GHM | ICT0001000301 |
| Pre-compression eccentric tool, compact | ComSeal LW, ComSeal, EzEntry, CF 8/32, CF 16, HD 32, C KFO | ICT0001000316 |
| Handgrip pre-compression tool | KFO, GHM | ICT0001000401 |
| Pre-compression wedge 60/40 | ComSeal LW, ComSeal, EzEntry, CF 8/32, CF 16, HD 32 | 5ICT000003691 |
| Pre-compression wedge 120 | KFO, GHM | ICT0001000500 |
| Stayplate clamps horizontal inst, 2 pcs | KFO, GHM | ICT0001000100 |
| Stayplate clip | KFO, GHM | ICT0001000200 |
| RG M63 tools | RG M63 | 5IRG000001545 |
| RG M63 tool 3/8 grip | RG M63 | ICT2010000001 |
| Module Adaption Indicator | Measuring tool for easier selection of sealing module | IQR2009000101 |