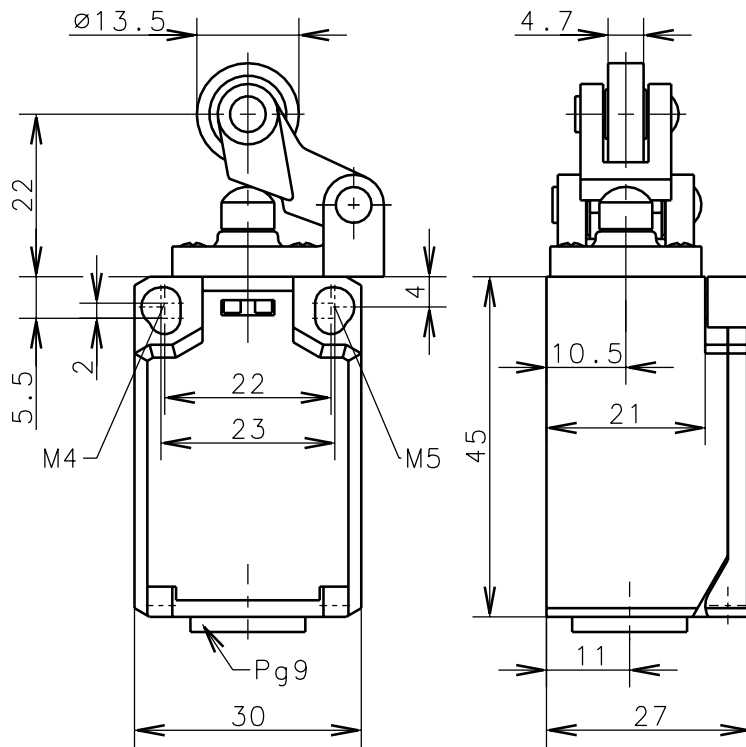


**Bernstein**Bernstein AG
Postfach 1164
D-32437 Porto Westfalica

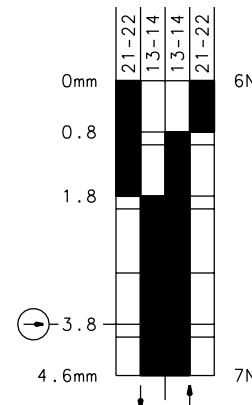
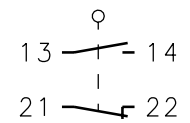
Technical data sheet

Ti2-SU1Z Hw Ro13.5

608.8171.016

Positive opening
operation according
to DIN EN 60947-5-1
IEC 947-5-1

■	□
On	Off

Switching
diagramSwitching
symbolTolerance: operating point $\pm 0.25\text{mm}$; actuating force $\pm 10\%$ **Mechanical features**

Enclosure: PBT, glass fibre reinforced
Cover: PA6.6, black
Actuator: Lever with roller (thermoplast)

Ambient air temperature: -30°C up to $+80^\circ\text{C}$
Contact type: 1 NC-contact, 1 NO-contact (Zb)

Mechanical life: 3×10^6 switch operations
Switch frequency: max. 100/min
Mounting: 2xM4 or 2xM5 fixed positioning for safety applications
Connection type: 4 screw connections (M3.5)
Conductor cross-section: single core $0.5\text{-}1.5\text{mm}^2$ / litz wire with connector sleeve $0.5\text{-}1.5\text{mm}^2$
Cable entry size: 1 x Pg9
Weight: approx. 0,05kg

Electrical features

Max. voltage: 250 V AC
Max. enduring current: 1 th 10A
Max. inrush current: according to IEC 947-5-1
Utilization categorie: AC 15, A300 240V/3A, 120V/6A / DC 13, Q300 250V/0.27A, 125V/0.55A
Standards: according to EN 60947-1; EN 60947-5-1
Protection class (IP-Code): IP65 according to EN 60529; DIN VDE 0470 T1
CSA/UL: 10A 300V AC, A300
Short circuit protection: Fuse 6A gL

Approach possibilitiesBy loosening 4 screws it is possible to turn the actuator through 90° so that 4 approach possibilities can be achieved.**Remarks**

The moving parts should be oiled periodically.
The planned protection class (IP-Code) is valid only at closed cover and when using an at least equivalent cable gland.

Copies are not retreated in case of alternations

Schutzvermerk nach DIN 34 beachten
Copyright reserved

07.04.2000