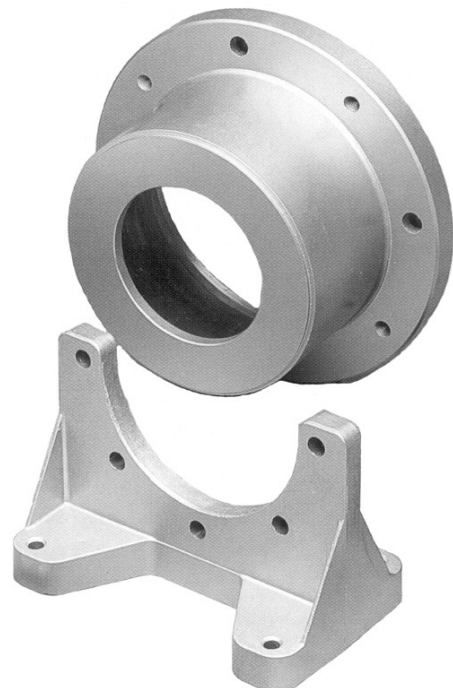


SECTION 14

Bell Housings & Drive Couplings

<i>Make</i>	<i>Model</i>	<i>Page</i>
OMT	Electric Motor Bell Housings	14.01~14.05
OMT	Bell Housing & Pump Gaskets	14.06
OMT	Damping Rings	14.07
OMT	P Series Foot Flanges	14.07
Delta	Foot Mount Brackets	14.08
Continental	Foot Mount Brackets	14.08
OMT	Petrol Engine Bell Housings	14.09
Hydra-Mount	Petrol Engine Bell Housings	14.10~12
OMT	Electric Motor Drive Couplings	14.13
OMT	Petrol Engine Drive Couplings	14.14
OMT	Pump Drive Couplings	14.15~14.17
OMT	ND Series Rubber Spiders	14.18
OMT	Steel Drive Couplings	14.19~14.20
Lovejoy	LOV Series Steel Drive Couplings	14.21

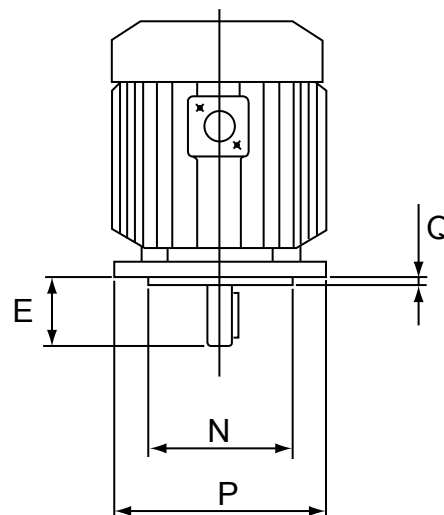
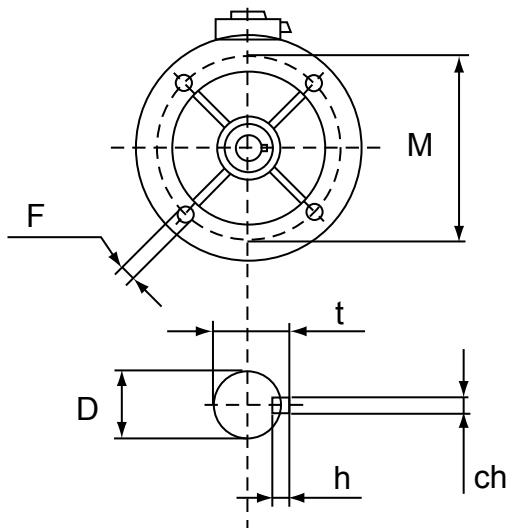


Dimensions

Metric Frame Electric Motors

Electric Motor Dimension Table

Frame Size	2 Pole 2900 RPM		4 Pole 1450 RPM		6 Pole 960 RPM		8 Pole 720 RPM		Flange Dimensions					Shaft Dimensions				
	kW	HP	kW	HP	kW	HP	kW	HP	P	M	N	Q	F	D	E	ch	h	t
63	0.18 ÷ 0.25	0.25 ÷ 0.35	0.12 ÷ 0.18	0.16 ÷ 0.25	-	-	-	-	140	115	95	3	9.5	11	23	4	4	12.8
71	0.37 ÷ 0.55	0.5 ÷ 0.37	0.25 ÷ 0.37	0.35 ÷ 0.5	-	-	-	-	160	130	110	3.5	9.5	14	30	5	5	16.3
80	0.75 ÷ 1.1	1 ÷ 1.5	0.55 ÷ 0.75	0.75 ÷ 1	0.37 ÷ 0.55	0.5 ÷ 0.75	0.18 ÷ 0.25	0.25 ÷ 0.35	200	165	130	3.5	11.5	19	40	6	6	21.5
90	1.5 ÷ 2.2	2 ÷ 3	1.1 ÷ 1.5	1.5 ÷ 2	0.75 ÷ 1.1	1 ÷ 1.5	0.37 ÷ 0.55	0.5 ÷ 0.75	200	165	130	3.5	11.5	24	50	8	7	27
100	3	4	2.2 ÷ 3	3 ÷ 4	1.5	2	0.75 ÷ 1.1	1 ÷ 1.5	250	215	180	4	14	28	60	8	7	31
112	4	5.5	4	5.5	2.2	3	1.5	2	250	215	180	4	14	28	60	8	7	31
132	7.5 ÷ 9	10 ÷ 12.5	5.5 ÷ 9	7.5 ÷ 12.5	3 ÷ 5.5	4 ÷ 7.5	2.2 ÷ 3	3 ÷ 4	300	265	230	4	14	38	80	10	8	41
160	11 ÷ 18.5	15 ÷ 25	11 ÷ 15	15 ÷ 20	7.5 ÷ 11	10 ÷ 15	4 ÷ 7.5	5.5 ÷ 10	350	300	250	5	18	42	110	12	8	45
180	22	30	18.5 ÷ 22	25 ÷ 30	15	20	11	15	350	300	250	5	18	48	110	14	9	51.5
200	30 ÷ 37	40 ÷ 50	30	40	18.5 ÷ 22	25 ÷ 30	15	20	400	350	300	5	18	55	110	16	10	59
225	45	60	37 ÷ 45	50 ÷ 60	30	40	22	30	450	400	350	5	18	60	140	18	11	64



14



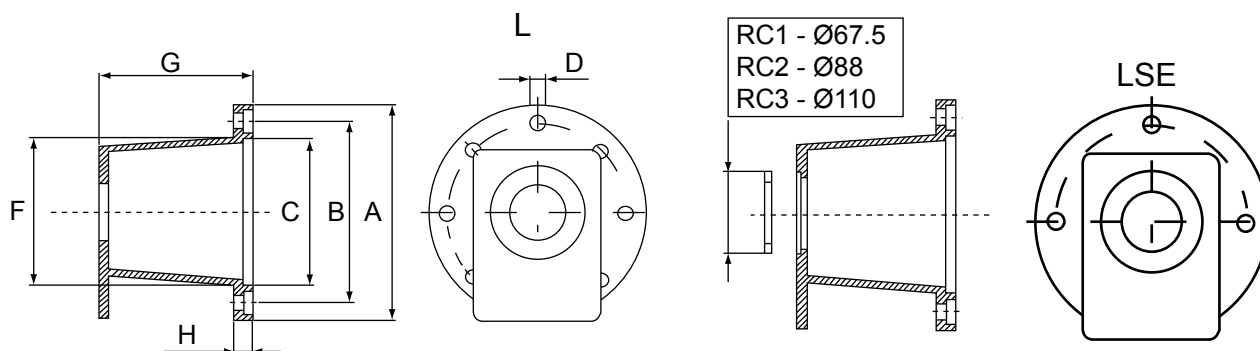
Standard DIN Pump Bell Housings To Fit Metric Frame Electric Motors

Electric Motor Bell Housings to fit Standard Group 05 DIN Pumps

Stock No.	Description	Frame	Pump	A	B	C	D	F	G	H	List Price
L1401	Bell Housing	D63	Group 05	140	115	95	10	100	60	11	
L1601	Bell Housing	D71	Group 05	160	130	110	10	110	70	14	
L2101	Bell Housing	D80/90	Group 05	200	165	130	12	135	88	15	

Electric Motor Bell Housings to fit Standard Group 1 DIN Pumps

Stock No.	Description	Frame	Pump	A	B	C	D	F	G	H	List Price
L1402	Bell Housing	D63	Group 1	140	115	95	10	100	60	11	
L1602	Bell Housing	D71	Group 1	160	130	110	10	110	70	14	
LSE20BDF1	Bell Housing	D80/90	Group 1	200	165	130	12	135	95	15	
LSE25ADF1	Bell Housing	D100/112	Group 1	250	215	180	14	185	102	21	



Electric Motor Bell Housings to fit Standard Group 2 DIN Pumps

Stock No.	Description	Frame	Pump	A	B	C	D	F	G	H	List Price
LSE20BDF1	Bell Housing	D80/90	Group 2	200	165	130	12	135	95	15	
LSE25ADF1	Bell Housing	D100/112	Group 2	250	215	180	14	185	105	21	
LSE25BDF1	Bell Housing	D100/112	Group 2	250	215	180	14	185	115	21	
LSE30ADF4	Bell Housing	D132	Group 2	300	265	230	14	238	143	21	
LS35CDF4	Bell Housing	D160/180	Group 2	350	300	250	18	253	178	25	

Electric Motor Bell Housings to fit Standard Group 3 DIN Pumps

Stock No.	Description	Frame	Pump	A	B	C	D	F	G	H	List Price
LSE25BDF1	Bell Housing	D100/112	Group 3	250	215	180	14	185	105	21	
LSE30ADF4	Bell Housing	D132	Group 3	300	265	230	14	238	143	21	
LS35CDF4	Bell Housing	D160/180	Group 3	350	300	250	18	253	178	25	



SAE Pump Bell Housings

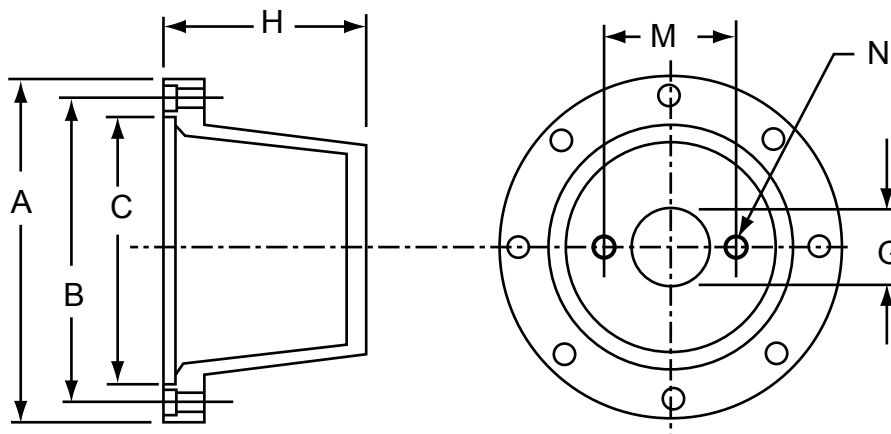
To Fit Metric Frame Electric Motors

Electric Motor Bell Housings to fit SAE 'AA' 2B Mount Pumps

Stock No.	Description	Frame	Pump	A	B	C	H	G	M	N	List Price
TH20A508A	Bell Housing	D80/90	SAE AA	200	165	130	95	50.8	82.5	M8	
THB25508A	Bell Housing	D100/112	SAE AA	250	215	180	112	50.8	82.5	M8	

Electric Motor Bell Housings to fit SAE 'A' 2B Mount Pumps

Stock No.	Description	Frame	Pump	A	B	C	H	G	M	N	List Price
TH1825A	Bell Housing	D80/90	SAE A	200	165	130	126	82.5	106	M10	
TH2825A	Bell Housing	D100/112	SAE A	250	215	180	136	82.5	106	M10	
TH3825A	Bell Housing	D132	SAE A	300	265	230	170	82.5	106	M10	
TH4825A	Bell Housing	D160/180	SAE A	350	300	250	195	82.5	106	M10	



Electric Motor Bell Housings to fit SAE 'B' 2B Mount Pumps

Stock No.	Description	Frame	Pump	A	B	C	H	G	M	N	List Price
B20Q1A101A	Bell Housing	D80/90	SAE B	200	165	130	130	102	146	M12	
TH2101A	Bell Housing	D100/112	SAE B	250	215	180	136	102	146	M12	
TH3101A	Bell Housing	D132	SAE B	300	265	230	170	102	146	M12	
TH4101A	Bell Housing	D160/180	SAE B	350	300	250	195	102	146	M12	
B40T1D101A	Bell Housing	D200	SAE B	400	350	300	206	102	146	M12	
B45T1D101A	Bell Housing	D225	SAE B	450	400	350	235	102	146	M12	

Electric Motor Bell Housings to fit SAE 'C' 2B Mount Pumps

Stock No.	Description	Frame	Pump	A	B	C	H	G	M	N	List Price
TH4127A	Bell Housing	D168/180	CAE C	350	300	250	195	127	181	M16	
B40T1D127A	Bell Housing	D200	SAE C	400	350	300	206	127	181	M16	
B45T1D127A	Bell Housing	D225	SAE C	450	400	350	235	127	181	M16	
B55D50T1A127A	Bell Housing	D250	SAE C	550	500	450	290	127	181	M16	

Bosch Pump Bell Housings

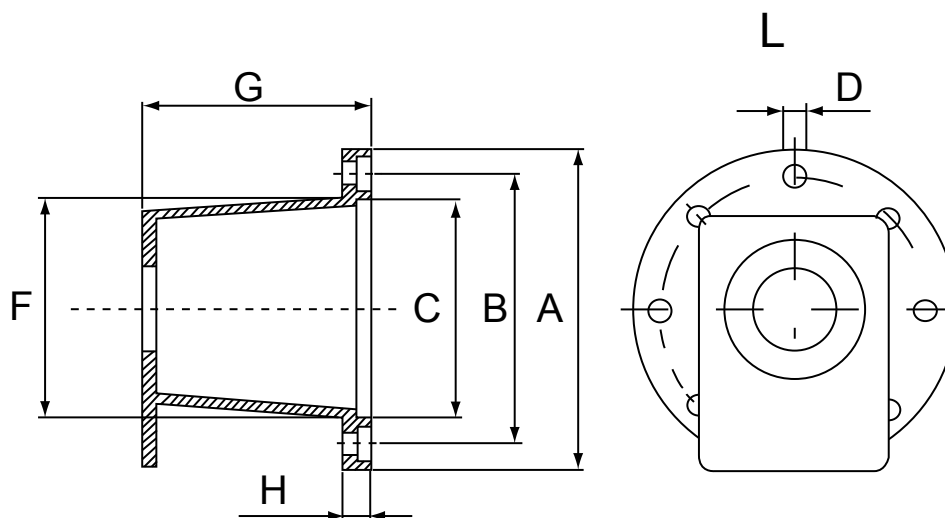
To Fit Metric Frame Electric Motors

Electric Motor Bell Housings to fit Bosch ZB Series Pumps (32mm Spigot)

Stock No.	Description	Frame	Pump	A	B	C	D	F	G	H	List Price
LB18	Bell Housing	D63	Type ZBR	140	115	95	10	100	60	11	
LB19	Bell Housing	D71	Type ZBR	160	130	110	10	110	70	14	
LB20	Bell Housing	D80/90	Type ZBR	200	165	130	12	135	95	15	
LB22	Bell Housing	D100/112	Type ZBR	250	215	180	14	185	105	21	

Electric Motor Bell Housings to fit Bosch ZF Series Pumps (80mm Spigot)

Stock No.	Description	Frame	Pump	A	B	C	D	F	G	H	List Price
LB21	Bell Housing	D80/90	Type ZFR-S	200	165	130	12	135	95	15	
LB24	Bell Housing	D100/112	Type ZFR-S	250	215	180	14	185	115	21	
LB26	Bell Housing	D132	Type ZFR-S	300	265	230	14	238	143	21	
LB31	Bell Housing	D160/180	Type ZFR-S	350	300	250	18	253	178	25	



Electric Motor Bell Housings to fit Bosch ZG Series Pumps (105mm Spigot)

Stock No.	Description	Frame	Pump	A	B	C	D	F	G	H	List Price
LB2011	Bell Housing	D80/90	Type ZGR-S	200	165	130	12	135	126	16	
LB25	Bell Housing	D100/112	Type ZGR-S	250	215	180	14	185	115	21	
LB27	Bell Housing	D132	Type ZGR-S	300	265	230	14	238	143	21	
LB32	Bell Housing	D160/180	Type ZGR-S	350	300	250	18	253	178	25	
LB30	Bell Housing	D200	Type ZGR-S	400	350	300	18	299	188	25	

ISO Pump Bell Housings

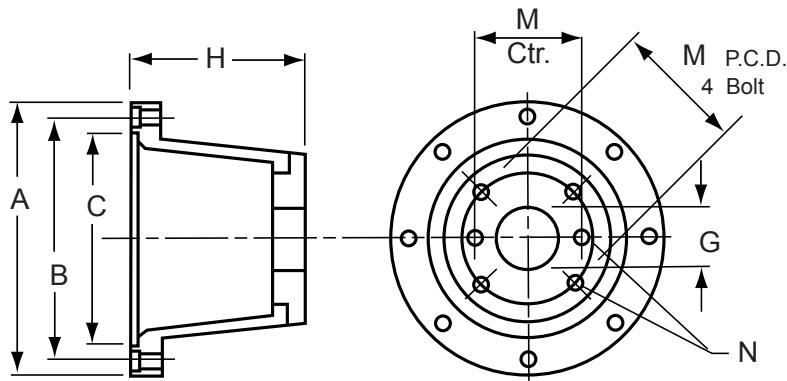
To Fit Metric Frame Electric Motors

Electric Motor Bell Housings to fit ISO 80-4 4B Pumps (80mm Spigot)

Stock No.	Description	Frame	Pump	A	B	C	H	G	M	N	List Price
TH180M	Bell Housing	D80/90	ISO80-4	200	165	130	126	80	103	M8	
TH280M	Bell Housing	D100/112	ISO80-4	250	215	180	136	80	103	M8	
TH380M	Bell Housing	D132	ISO80-4	300	265	230	195	80	103	M8	
TH480M	Bell Housing	D160/180	ISO80-4	350	300	250	195	80	103	M8	

Electric Motor Bell Housings to fit ISO 100-4 4B Pumps (100mm Spigot)

Stock No.	Description	Frame	Pump	A	B	C	H	G	M	N	List Price
B20Q1A100B	Bell Housing	D80/90	ISO100-4	200	165	130	130	100	125	M10	
TH2100B	Bell Housing	D100/112	ISO100-4	250	215	180	136	100	125	M10	
TH3100B	Bell Housing	D132	ISO100-4	300	265	230	195	100	126	M10	
TH4100B	Bell Housing	D160/180	ISO100-4	350	300	250	195	100	125	M10	
B40T1F100B	Bell Housing	D200	ISO100-4	400	350	300	195	100	125	M10	



Electric Motor Bell Housings to fit ISO 125-4 4B Pumps (125mm Spigot)

Stock No.	Description	Frame	Pump	A	B	C	H	G	M	N	List Price
TH3Q2B125A	Bell Housing	D132	ISO125-4	300	265	230	219	125	160	M12	
TH4Q2A125A	Bell Housing	D160/180	ISO125-4	350	300	250	219	125	160	M12	
B40T1D125A	Bell Housing	D200	ISO125-4	400	350	300	215	125	160	M12	
B45T1D125A	Bell Housing	D225	ISO125-4	450	400	350	235	125	160	M12	

Electric Motor Bell Housings to fit ISO 160-4 4B Pumps (160mm Spigot)

Stock No.	Description	Frame	Pump	A	B	C	H	G	M	N	List Price
B35T1D160A	Bell Housing	D160/180	ISO160-4	350	300	250	215	160	200	M16	
B40T1D160A	Bell Housing	D200	ISO160-4	400	350	300	215	160	200	M16	
B45T1D160A	Bell Housing	D225	ISO160-4	450	400	350	250	160	200	M16	

Electric Motor Bell Housings to fit ISO 200-4 4B Pumps (200mm Spigot)

Stock No.	Description	Frame	Pump	A	B	C	H	G	M	N	List Price
B45Q4F200B	Bell Housing	D225	ISO200-4	450	400	350	265	200	250	M20	

14

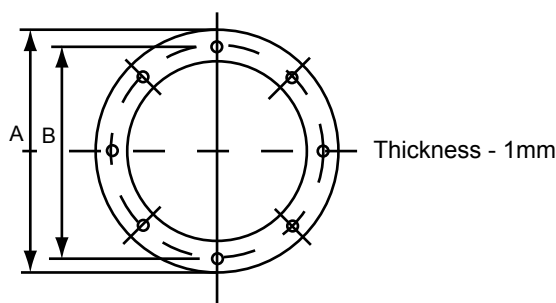


Bell Housing Gaskets

To Fit Metric Frame Electric Motors

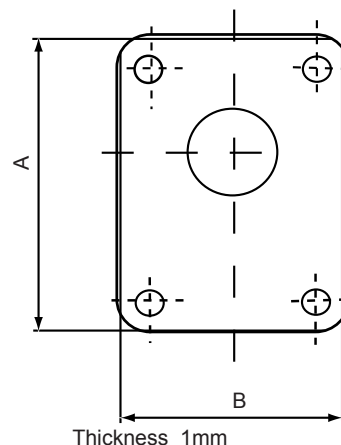
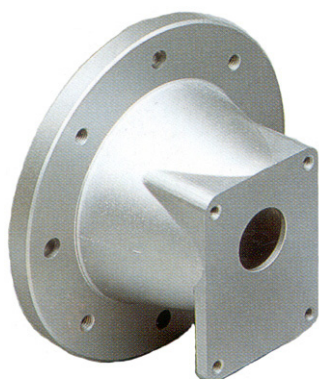
Bell Housing Gaskets

Stock No.	Description	Motor Frame	A	D	List Price
GL140	Bell Housing Gasket	D63	140	115	
GL160	Bell Housing Gasket	D71	160	130	
GL200	Bell Housing Gasket	D80/90	200	165	
GL250	Bell Housing Gasket	D100/112	250	215	
GL300	Bell Housing Gasket	D132	300	265	
GL350	Bell Housing Gasket	D160/180	350	300	
GL400	Bell Housing Gasket	D200	400	350	



Pump Mounting Gaskets

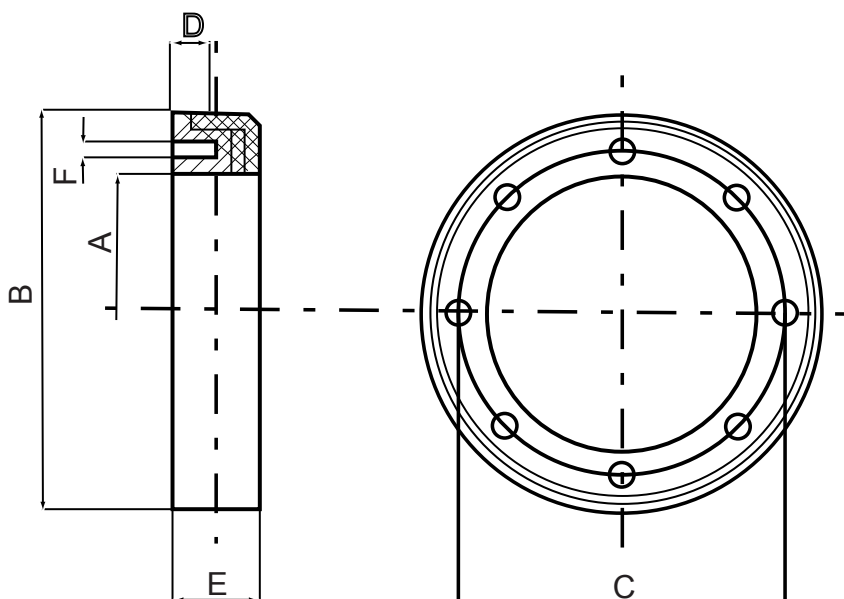
Stock No.	Description	Suits Pump	A	B	List Price
GP05	Pump Mounting Gasket	Standard DIN Group 05	82	50	
GP1P	Pump Mounting Gasket	Standard DIN Group 1	90	69	
GP2	Pump Mounting Gasket	Standard DIN Group 2	118	86	
GPZF	Pump Mounting Gasket	Bosch ZF Series	121	91	
GP3	Pump Mounting Gasket	Standard DIN Group 3	170	120	
GP3.5	Pump Mounting Gasket	Standard DIN Group 3.5	180	158	
GP4	Pump Mounting Gasket	Standard DIN Group 4	230	175	



Damping Rings

Damping Rings - A Series

Stock No.	Description	Dimensions (mm)						List Price
		A	B	C	D	E	F	
A200	Damping Ring	145	200	165	15	43	M10	
A250	Damping Ring	190	250	215	18	49	M12	
A300	Damping Ring	235	300	265	18	56	M12	
A350	Damping Ring	260	350	300	24	63	M16	
A400	Damping Ring	311	400	350	24	70	M16	



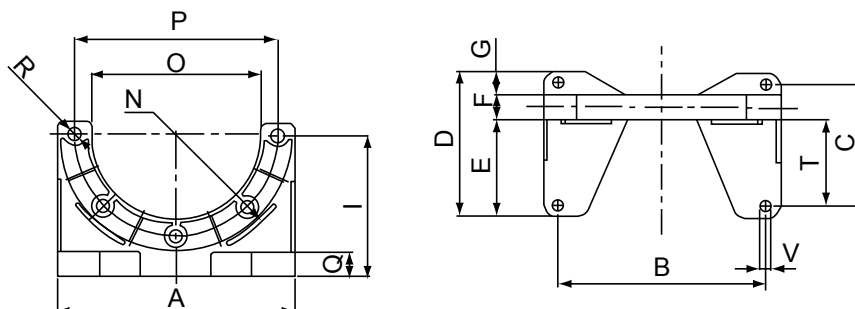
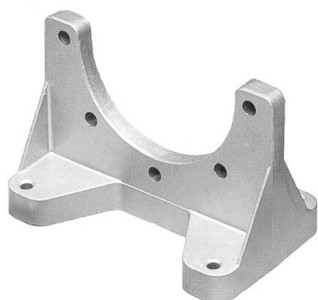
These articles are made of two rings moulded into vulcanized rubber. Interposed between the bell housing and the tank cover, they diminish the vibrations created by the power transmission by approx. 3-5 dB. The employed rubber is mineral oil resistant, maximum working temperature is 80°C.

P Series Foot Flanges

P Series Foot Flanges

Manufactured from high resistance aluminium alloy, these flanges are used to support our bell housings with standard B5 flange up to an external motor diameter of 350mm.

Stock No.	Description	Dimensions (mm)															List Price
		A	B	C	D	E	F	G	I	N	O	P	Q	R	T	V	
P160	Foot Flange	165	135	80	100	45	10	45	98	80	111	130	10	9	35	9	
P200	Foot Flange	202	168	103	125	54	19	54	123	100	140	165	22	11.5	42.5	9	
P250	Foot Flange	252	220	130	155	105	25	25	150	125	180	215	25	13	92.5	11	
P300	Foot Flange	302	265	160	190	115	25	50	175	150	240	265	25	13	100	13	
P350	Foot Flange	362	310	250	286	183	30	73	205	175	256	300	30	18	165	15	

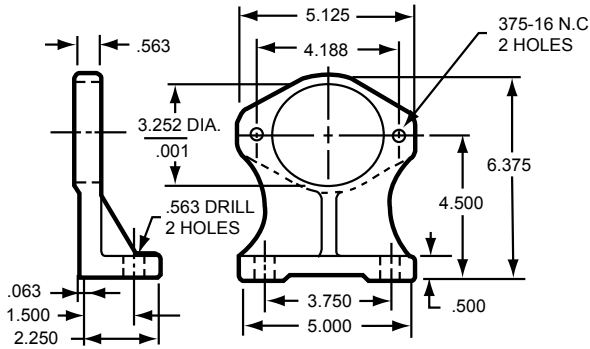




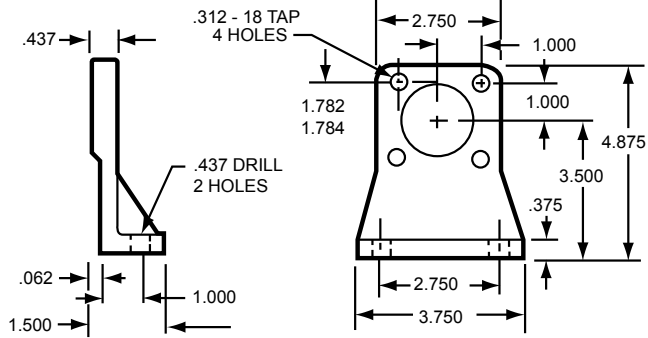
Foot Mount Brackets

Delta Foot Mount Brackets

Stock No.	Description	Mount	Fits Pump Type	List Price
K2	Foot Mount Bracket	SAE 'A' 2B	Cross 40 Series etc.	
K4	Foot Mount Bracket	4 Bolt	Delta Log Splitter etc.	



K2 Mounting Bracket



K4 Mounting Bracket

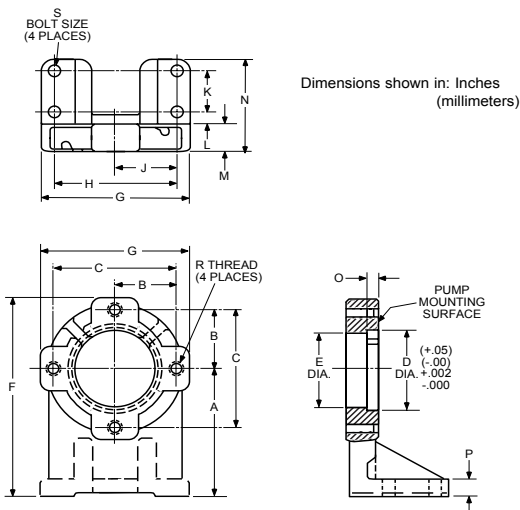
(Dimensions shown in inches)



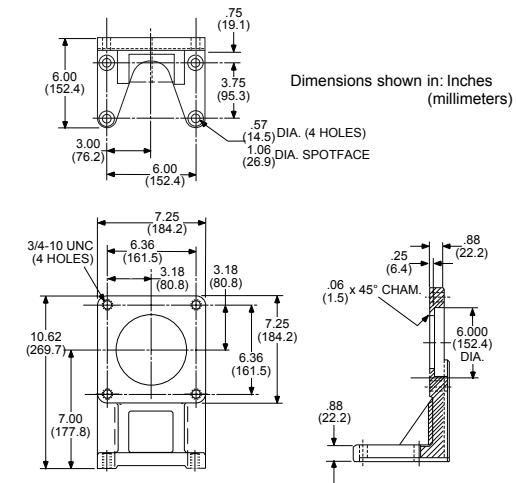
Continental Foot Mount Brackets

Stock No.	Description	Mount	Fits Pump Type	List Price
FPVR6	Foot Mount Bracket	SAE A	40 Series, HC02	
FPVR15	Foot Mount Bracket	SAE B	40 Series, HC03	
FPVR30	Foot Mount Bracket	SAE C	60 Series, ALP4	
FPVR50D	Foot Mount Bracket	SAE D		

FPVR FOOT MOUNTING BRACKETS DIMENSIONS



FPVR50D FOOT MOUNTING BRACKET DIMENSIONS SAE D Mounting



Foot Bracket Series	SAE Flange	Dimensions Inches (millimeters)																R THREAD	S BOLT SIZE
		A	B	C	D	E	F	G	H	J	K	L	M	N	O	P			
FPVR6	A	5.25 (133.4)	2.09 (53.1)	4.19 (106.4)	3.252 (82.6)	3.00 (76.2)	7.81 (198.4)	5.12 (130.0)	3.50 (88.9)	1.75 (44.4)	2.00 (50.8)	.48 (12.2)	1.00 (25.4)	3.98 (101.1)	.31 (7.9)	.81 (20.6)	3/8-16 UNC	3/8 In.	
FPVR15	B	6.25 (158.8)	2.87 (73.0)	5.75 (146.1)	4.00 (101.6)	4.25 (108.0)	9.69 (246.1)	6.85 (174.0)	5.75 (146.1)	2.87 (73.0)	2.01 (51.1)	.59 (15.0)	1.26 (32.0)	4.45 (113.0)	.47 (11.9)	.79 (20.1)	1/2-13 UNC	1/2 In.	
FPVR30	C	8.00 (203)	3.56 (90.4)	7.12 (181.0)	5.001 (127.0)	4.75 (120.7)	12.19 (309.6)	8.39 (213.1)	6.00 (152.4)	3.00 (76.2)	3.75 (95.3)	.75 (19.1)	1.18 (30.0)	6.18 (157)	.55 (14.0)	.79 (20.1)	5/8-11 UNC	1/2 In.	



Petrol Engine Bell Housings

Petrol Engine Bell Housings to fit Standard DIN 4B Pumps - Male Spigot

Stock No.	Description	Pump Type	kW	HP	Engine Spigot	List Price
LMH151	Bell Housing	Group 1 4B Mount	2.2 ÷ 4	3 ÷ 5.5	Male	41.3 mm
LMH401	Bell Housing	Group 1 4B Mount	5 ÷ 13.5	7 ÷ 18	Male	110 mm
LMH403	Bell Housing	Group 2 4B Mount	5 ÷ 13.5	7 ÷ 18	Male	110 mm

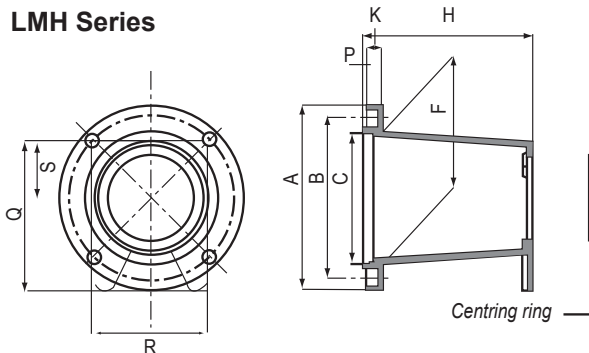
Petrol Engine Bell Housings to fit Standard DIN 4B Pumps - Female Spigot

Stock No.	Description	Pump Type	kW	HP	Engine Spigot	List Price
LB152U1P	Bell Housing	Group 1 4B Mount	5 ÷ 13.5	7 ÷ 18	Female	146 mm
LB1522	Bell Housing	Group 2 4B Mount	5 ÷ 13.5	7 ÷ 18	Female	146 mm
LB170U1P	Bell Housing	Group 1 4B Mount	13.5	18	Female	163.5 mm
LB1702	Bell Housing	Group 2 4B Mount	13.5	18	Female	163.5 mm
LB1703U	Bell Housing	Group 3 4B Mount	13.5	18	Female	163.5 mm

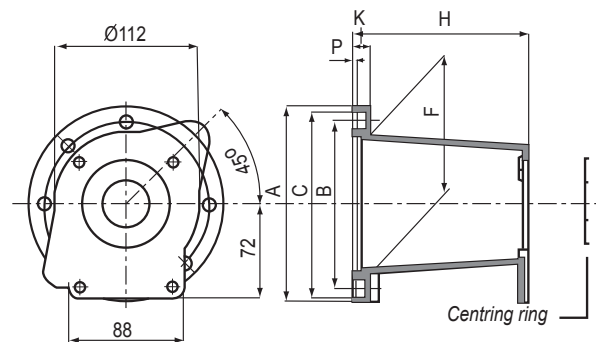
Notes:

- Bell housing prefix 'LMH' has a male engine alignment.
- Bell housing prefix 'LB' has a female engine alignment.

LMH Series



LB Series

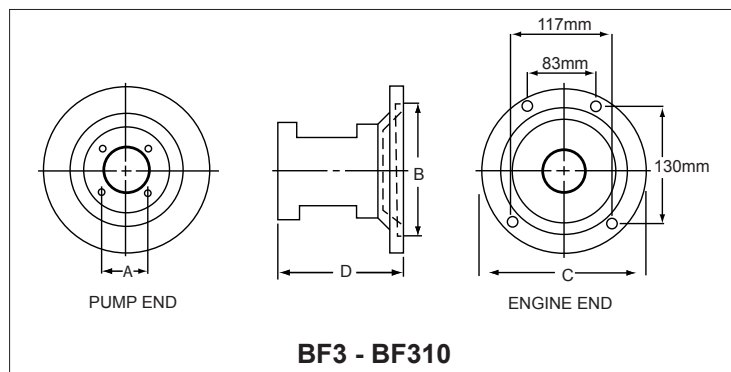
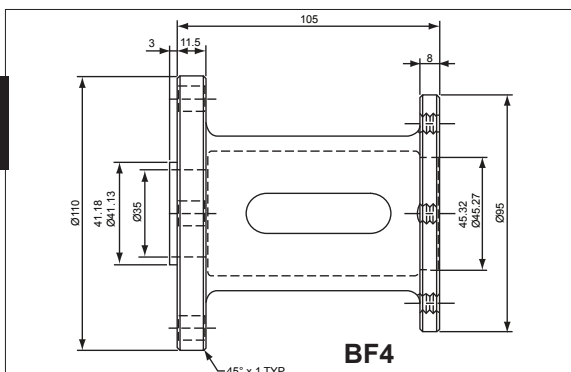


Petrol Engine Bell Housings to fit SAE 2B Pumps - Female Spigot

Stock No.	Description	Pump Type	kW	HP	Engine Spigot	List Price
LB152825A	Bell Housing	SAE 'A' 2 Bolt	5 ÷ 13.5	7 ÷ 18	Female	146 mm
LB152101A	Bell Housing	SAE 'A' 2 Bolt	5 ÷ 13.5	7 ÷ 18	Female	146 mm
LB170825A	Bell Housing	SAE 'A' 2 Bolt	13.5	18	Female	163.5 mm
LB170101A	Bell Housing	SAE 'A' 2 Bolt	13.5	18	Female	163.5 mm

Petrol Engine Bell Housings to fit SAE4F17 (Hi-Low) 4B Pumps

Stock No.	Description	Pump Type	kW	HP	Engine Spigot	List Price
BF4	Bell Housing	4081 Log Splitter	2.2 ÷ 4	3 ÷ 5.5	Male	41.3 mm
BF3	Bell Housing	4081 Log Splitter	5 ÷ 13.5	7 ÷ 18	Female	146 mm
BF310	Bell Housing	4171 Log Splitter	5 ÷ 13.5	7 ÷ 18	Female	146 mm



14





Petrol Engine Bell Housings

Petrol Engine Bell Housings

Stock No.	Description	Pump Type	HP	Engine Spigot	Bolt Circle	List Price
G10102444	Bell Housing	F17 4 Bolt	3 - 6.5	Male 41.3 mm	92 mm	
G11108469	Bell Housing	SAE A 2 Bolt	3 - 6.5	Male 41.3 mm	92 mm	
GM33238	Bell Housing	Group 1 4B	3 - 6.5	Male 41.3 mm	92 mm	
GM33240	Bell Housing	Group 1.5	3 - 6.5	Male 41.3 mm	92 mm	
GM33242	Bell Housing	Group 2	3 - 6.5	Male 41.3 mm	92 mm	
GM33246	Bell Housing	Group 2 Bosch	3 - 6.5	Male 41.3 mm	92 mm	

ENGINE MOUNT SELECTION CHART "G" SERIES

Frame Number	Pump Flange	Engine Data		
		Bolt Circle 3-5/8" Pilot Diameter (none) 1.780 Clearance Diameter	Bolt Circle 3-5/8" Pilot Diameter 1.625	Bolt Circle 6-1/2" Pilot Diameter 5.750
<p>Mount Basic Data Access Cover AC10 (1 Required) Maximum Coupling Diameter 2-1/2" Approximate Weight 1 lb. 3 oz.</p>				
10	4F17	-101	-102	
<p>Mount Basic Data Access Cover AC11 (1 Required) Maximum Coupling Diameter 2-1/2" Approximate Weight 1 lb. 6 oz. Standard Lengths 4.44 SAE AA 2 Bolt 4.69 SAE A 2 Bolt</p>				
11	SAE AA 2 Bolt	-105	-106	
	SAE A 2 Bolt	-107	-108	

DASH NUMBER FOR: ENGINE MOUNTS FOR METRIC PUMPS "GM" SERIES

Frame 33		Pump Flange Dimensions				
Mount Basic Data Access Cover A33 (1 Required) Maximum Coupling Diameter 2-3/4" Approximate Weight 1 lb. 5 oz.						
1	-237 -238					
2	-239 -240					
3	-241 -242					
4	-243 -244					
5	-245 -246					
6	-247 -248					
Order Code	A	B	C	D	E	
1	26.5 1.04"	72 2.83"	52.4 2.08"	25.4 1.0"	M6	
2	24.5 0.96"	73 2.87"	56 2.20"	30 1.18"	M6	
3	32.2 1.27"	96.2 3.78"	71.5 2.81"	36.5 1.43"	M8	
4	14.3 0.56"	60.4 2.38"	60 2.36"	50 1.97"	M8	
5	34.5 1.36"	100 3.94"	72 2.83"	80 3.15"	M8	
6	32.2 1.27"	46.2 3.78"	71.5 2.81"	36.5 1.43"	M8	



Petrol Engine Bell Housings

Petrol Engine Bell Housings

Stock No.	Description	Pump Type	HP	Engine Spigot	Bolt Circle	List Price
G15118562	Bell Housing	SAE A 2	9 - 18	Female 146 mm	165.1 mm	
G16135600	Bell Housing	SAE A 2	9 - 18	Female 177.8 mm	196.8 mm	
G16136600	Bell Housing	SAE A 2	9 - 18	Female 177.8 mm	196.8 mm	
G16137600	Bell Housing	SAE A 2	9 - 18	Female 177.8 mm	196.8 mm	
G16138600	Bell Housing	SAE A 2	9 - 18	Female 163.5 mm	196.8 mm	
G16139600	Bell Housing	SAE A 2	9 - 18	Female 163.5 mm	196.8 mm	
G16140600	Bell Housing	SAE A 2	9 - 18	Female 163.5 mm	196.8 mm	

Mount Basic Data
Access Cover AC15
(2 Required)
Maximum Coupling
Diameter 3"
Approximate Weight
3 lb. 1 oz.

Mount Basic Data
Access Cover AC16
(2 Required)
Maximum Coupling
Diameter 3-1/4"
Approximate Weight
4 lb. 5 oz.
Available with no
cover openings

15	4F17*	-117				
	SAE AA 2 Bolt	-118				
16	4F17*	-122	-123	-124	-125	-126
	SAE AA 2 Bolt	-129	-130	-131	-132	-133
	SAE A 2 Bolt	-136	-137	-138	-139	-140

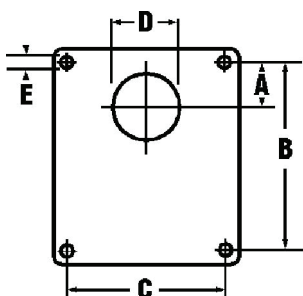
Stock No.	Description	Pump Type	HP	Engine Spigot	Bolt Circle	List Price
GM35279	Bell Housing	Group 1	9 - 25	Female 146 mm	165.1 mm	
GM35289	Bell Housing	Group 2	9 - 25	Female 146 mm	165.1 mm	
GM35293	Bell Housing	Group 2	9 - 25	Female 177.8 mm	196.8 mm	

Pump Flange Dimensions					
Order Code	A	B	C	D	E
1	26.5 1.04"	72 2.83"	52.4 2.08"	25.4 1.0"	M6
2	24.5 0.96"	73 2.87"	56 2.20"	30 1.18"	M6
3	32.2 1.27"	96.2 3.78"	71.5 2.81"	36.5 1.43"	M8
4	14.3 0.56"	60.4 2.38"	60 2.36"	50 1.97"	M8
5	34.5 1.36"	100 3.94"	72 2.83"	80 3.15"	M8
6	32.2 1.27"	46.2 3.78"	71.5 2.81"	36.5 1.43"	M8

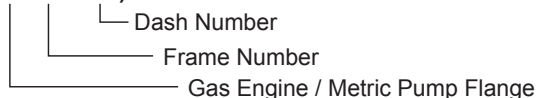
Frame 35

Mount Basic Data
Access Cover AC35
(2 Required)
Maximum Coupling
Diameter 3-1/8"
Approximate Weight
3 lb. 10 oz.
*Available in 5.43
Length

1	-279	-280	-281	-282	-283
2	-284	-285	-286	-287	-288
3	-289	-290	-291	-292	-293
4	-294	-295	-296	-297	-298
5	-299	-300	-301	-302	-303
6	-304	-305	-306	-307	-308



Metric Pump Mount Part Number Order Code:
(Example: GM 34 - 250)



Length code at end of part number is deleted since length is not an option for frame number 33-35.

14



Petrol Engine Bell Housings

Petrol Engine Bell Housings

Stock No.	Description	Pump Type	HP	Engine Spigot	Bolt Circle	List Price
G18149675	Bell Housing	SAE A 2	9 - 18	Female 177.8 mm	196.8 mm	
G18156675	Bell Housing	SAE B 2	9 - 18	Female 177.8 mm	196.8 mm	
G19170725	Bell Housing	SAE A 2	9 - 25	Female 177.8 mm	196.8 mm	
G22211675	Bell Housing	SAE A 2	9 - 25	Female 200 mm	219.07 mm	
G22212675	Bell Housing	SAE B 2	9 - 25	Female 200 mm	219.07 mm	
G24218925	Bell Housing	SAE A 2	9 - 25	Female 219.07 mm	234.95 mm	
G24219925	Bell Housing	SAE A 2	9 - 25	Female 209.55 mm	234.95 mm	
G24221925	Bell Housing	SAE B 2	9 - 25	Female 200.92 mm	234.95 mm	
G24222925	Bell Housing	SAE B 2	9 - 25	Female 209.55 mm	234.95 mm	

Mount Basic Data
 Access Cover AC18 (2 Required)
 Maximum Coupling Diameter 3-7/8"
 Approximate Weight 7 lb. 8 oz.
 SAE A 4 Bolt Available

18	SAE A 2 Bolt	-148	-149	-150	-151	-152	-153	-154
	SAE B 2 Bolt	-155	-156	-157	-158	-159	-160	-161
	SAE B 4 Bolt	-162	-163	-164	-165	-166	-167	-168

Mount Basic Data
 Access Cover AC19 (2 Required)
 Maximum Coupling Diameter 3-7/8"
 Approximate Weight 8 lb.
 SAE A 4 Bolt Available

19	SAE A 2 Bolt	-169	-170	-171	-172	-173	-174	-175
----	--------------	------	------	------	------	------	------	------

Mount Basic Data
 Access Cover AC22 (2 Required)
 Maximum Coupling Diameter 3-7/8"
 Approximate Weight 8 lb. 3 oz.
 SAE A 4 Bolt Available

22	SAE A 2 Bolt	-211
	SAE B 2 Bolt	-212

Mount Basic Data
 Access Cover AC24 (2 Required)
 Maximum Coupling Diameter 7"
 Approximate Weight 16 lb. 7 oz.
 SAE A 4 Bolt Available

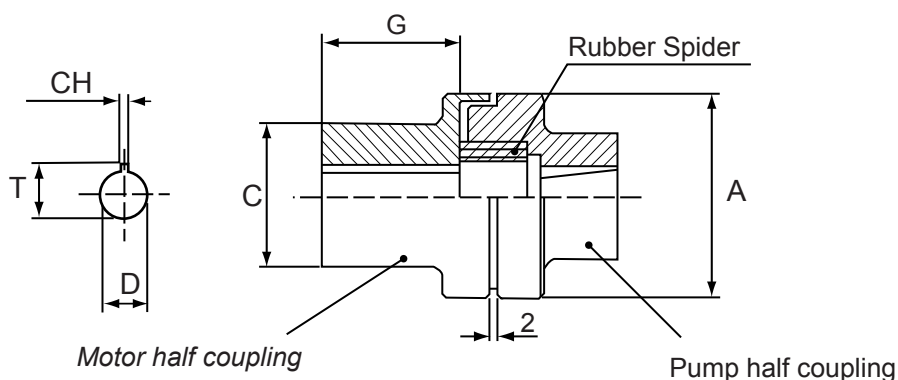
24	SAE A 2 Bolt	-217	-218	-219
	SAE B 2 Bolt	-220	-221	-222
	SAE B 4 Bolt	-223	-224	-25



ND Series Electric Motor Drive Couplings

Aluminium Drive Coupling Halves - Electric Motor

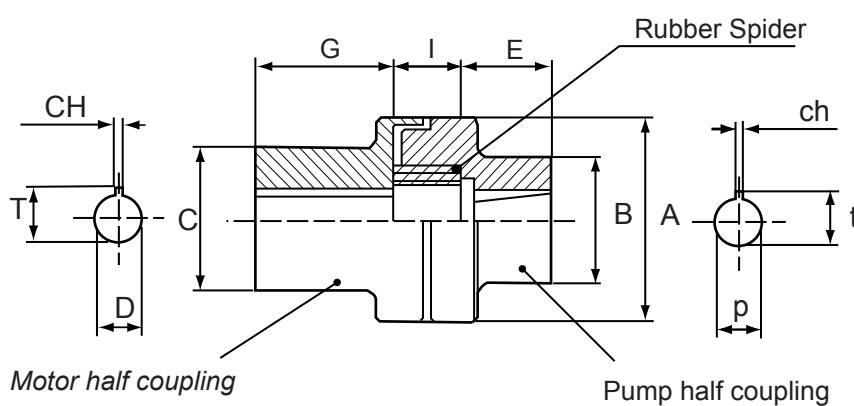
Stock No.	Description	Shaft Dia.	Motor Frame	kW	A	C	G	D	CH	T	List Price
ND48A	Coupling Half	11 mm	D63	0.12 ÷ 0.18	48	30	19	11	4	12.8	
ND48B	Coupling Half	14 mm	D71	0.25 ÷ 0.37	48	30	29	14	5	16.3	
ND48C	Coupling Half	19 mm	D80	0.55 ÷ 0.75	48	38	54	19	6	21.8	
ND48D	Coupling Half	24 mm	D90	1.10 ÷ 1.50	48	38	54	24	8	27.3	
ND65A	Coupling Half	19 mm	D80	0.55 ÷ 0.75	65	42	47.5	19	6	21.8	
ND65B	Coupling Half	24 mm	D90	1.10 ÷ 1.50	65	48	47.5	24	8	27.3	
ND65C	Coupling Half	28 mm	D100/112	2.20 ÷ 4.00	65	53	57.5	28	8	31.3	
ND86HD20	Coupling Half	19 mm	D80	0.55 ÷ 0.75	86	55	48	19	6	21.8	
ND86HD31	Coupling Half	24 mm	D90	1.10 ÷ 1.50	86	55	48	24	8	27.3	
ND86A	Coupling Half	28 mm	D100/112	2.20 ÷ 4.00	86	55	60	28	8	31.3	
ND86B	Coupling Half	38 mm	D132	5.50 ÷ 7.50	86	73	88	38	10	41.3	
NS86BD51	Coupling Half	42 mm	D160	11.0 ÷ 15.0	86	73	88	42	12	45.3	
ND108A	Coupling Half	38 mm	D132	5.50 ÷ 7.50	108	73	77	38	10	41.3	
ND108B	Coupling Half	42 mm	D160	11.0 ÷ 15.0	108	84	110	42	12.5	45.3	
ND108C	Coupling Half	48 mm	D180	18.5 ÷ 22.0	108	100	110	48	14	51.8	
ND108D	Coupling Half	55 mm	D200	30.0	108	100	110	55	16	59.3	
ND143B	Coupling Half	55 mm	D200	30.0	143	106	110	55	16	59.3	
ND143C	Coupling Half	60 mm	D225	37.0 ÷ 45.0	143	137	140	60	18	64.4	
ND143D	Coupling Half	65 mm	D250	55	143	137	140	65	18	69.4	



ND Series Petrol Engine Drive Couplings

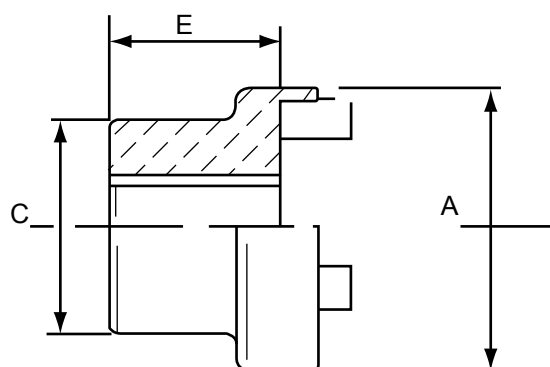
Aluminium Drive Coupling Halves - Petrol Engine Half

Stock No.	Description	Shaft Dia.	A	C	G	D	CH	T	List Price
NS48CC16	Petrol Engine Coupling Half	18 mm	48	33	54	18	5	26.3	
ND48CC22	Petrol Engine Coupling Half	3/4"	48	33	54	19.05	4.76	21.3	
ND65MC33	Petrol Engine Coupling Half	25 mm	65	53	66.5	25	7	28.3	
ND65MC35	Petrol Engine Coupling Half	1"	65	53	66.5	25.4	6.35	28.8	



Aluminium Drive Coupling Halves - Pump Half

Stock No.	Description	Shaft Dia.	A	B	E	I	p	ch	List Price
ND65H4D22	Pump Coupling Half	3/4"	65	42	40	18	19.05	4.76	
ND65H8D99	Pump Coupling Half	7/8"	65	42	40	18	22.22	6.35	



Blank Coupling Halves

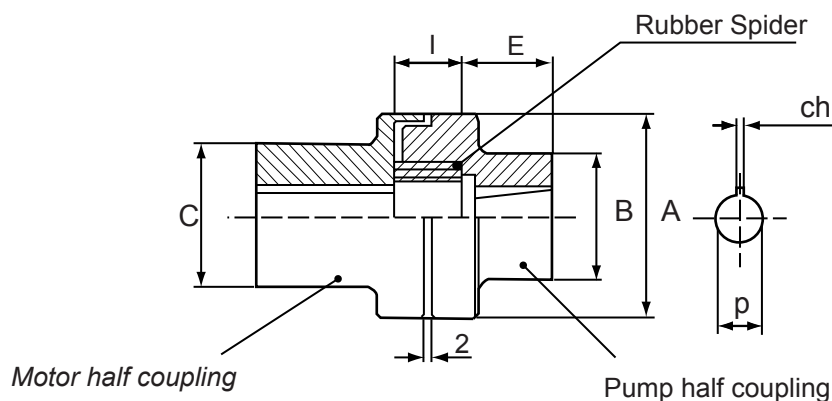
Stock No.	Description	Max. Shaft	A	C	E	Spider	List Price
NS48C	Blank Coupling Half	20 mm	48	38	54	R42	
NS65C	Blank Coupling Half	28 mm	65	53	57.5	R62	
NS86B	Blank Coupling Half	38 mm	86	73	88	R82	
NS108C	Blank Coupling Half	50 mm	108	100	110	R103	
NS143C	Blank Coupling Half	75 mm	143	137	140	R132	



ND Series Pump Drive Couplings

Aluminium Drive Coupling Halves - SAE Pumps

Stock No.	Description	Pump Type	Shaft Dia.	A	B	E	I	p	ch	List Price
ND48HD716	Coupling Half	SAE	7/16"	48	30	17	6	11.11	2.40	
NS48CD62	Coupling Half	SAE	1/2"	48	38	54	16	12.7	3.18	
NS48CD10	Coupling Half	SAE	5/8"	48	38	54	16	15.88	4.00	
ND48CC22	Coupling Half	SAE	3/4"	48	38	54	16	19.05	4.76	
ND65HD716	Coupling Half	SAE	7/16"	65	34	21.5	18	11.11	2.40	
NS65PD62	Coupling Half	SAE	1/2"	65	34	21.5	18	12.7	3.18	
ND65QD10	Coupling Half	SAE	5/8"	65	34	31.5	18	15.88	4.00	
ND65HD22	Coupling Half	SAE	3/4"	65	42	50	18	19.05	4.76	
ND65HD99	Coupling Half	SAE	7/8"	65	42	50	18	22.22	4.76 & 6.35	
NS65CD35	Coupling Half	SAE	1"	65	53	57.5	18	25.4	6.35	
ND86PD10	Coupling Half	SAE	5/8"	86	48	27	20	15.88	4.00	
ND86HD22	Coupling Half	SAE	3/4"	86	55	48	20	19.05	4.76	
ND86HD99	Coupling Half	SAE	7/8"	86	55	48	20	22.22	4.76 & 6.35	
ND86KD35	Coupling Half	SAE	1"	86	64	68	20	25.4	6.35	
NS108A3D10	Coupling Half	SAE	5/8"	108	64	70	24	15.88	4.00	
ND108HD22	Coupling Half	SAE	3/4"	108	64	48	24	19.05	4.76	
ND108HD99	Coupling Half	SAE	7/8"	108	64	48	24	22.22	4.76 & 6.35	
NS108A3D35	Coupling Half	SAE	1"	108	64	70	24	25.4	6.35	
ND108HD98	Coupling Half	SAE	1-1/4"	108	64	48	24	31.75	7.94	
ND108KD48	Coupling Half	SAE	1-1/2"	108	64	70	24	38.1	9.52	
NS143PD99	Coupling Half	SAE	7/8"	143	75	52	29	22.22	4.76 & 6.35	
NS143PD35	Coupling Half	SAE	1"	143	75	52	29	25.4	6.35	
NS143PD98	Coupling Half	SAE	1-1/4"	143	75	52	29	31.75	7.94	
NS143PD48	Coupling Half	SAE	1-1/2"	143	75	52	29	38.1	9.52	
NS143PD52	Coupling Half	SAE	1-3/4"	143	75	52	29	44.45	11.11	

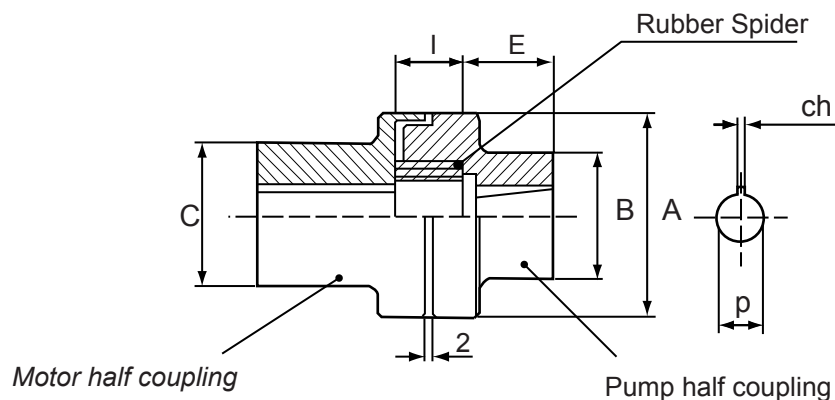


14

ND Series Pump Drive Couplings

Aluminium Drive Coupling Halves - Standard DIN Pumps (1:8 Taper)

Stock No.	Description	Pump Type	Shaft Dia.	A	B	E	I	p	ch	List Price
ND48P05M	Coupling Half	Group 05	6 mm	48	30	19	16	6	2	
ND48P05GT	Coupling Half	Group 05	7 mm	48	30	19	16	7	2	
ND48PU1P	Coupling Half	Group 1	1:8 Taper	48	30	17	16	9.7	2.4	
ND65PU1P	Coupling Half	Group 1	1:8 Taper	65	34	21.5	18	9.7	2.4	
ND65P2	Coupling Half	Group 2	1:8 Taper	65	34	21.5	18	17.2	3.2 & 4.0	
ND65Q3U	Coupling Half	Group 3	1:8 Taper	65	48	21.5	18	22.2	4	
ND86P2	Coupling Half	Group 2	1:8 Taper	86	48	27	20	17.2	3.2 & 4.0	
ND86H3U	Coupling Half	Group 3	1:8 Taper	86	55	48	20	22.2	4	
ND86P3U	Coupling Half	Group 3	1:8 Taper	86	48	27	20	22.2	4	
ND108P2	Coupling Half	Group 2	1:8 Taper	108	64	34	24	17.2	3.2 & 4.0	
ND108P3U	Coupling Half	Group 3	1:8 Taper	108	64	34	24	22.2	4	



Aluminium Drive Coupling Halves - ISO Pumps (Metric - Parallel)

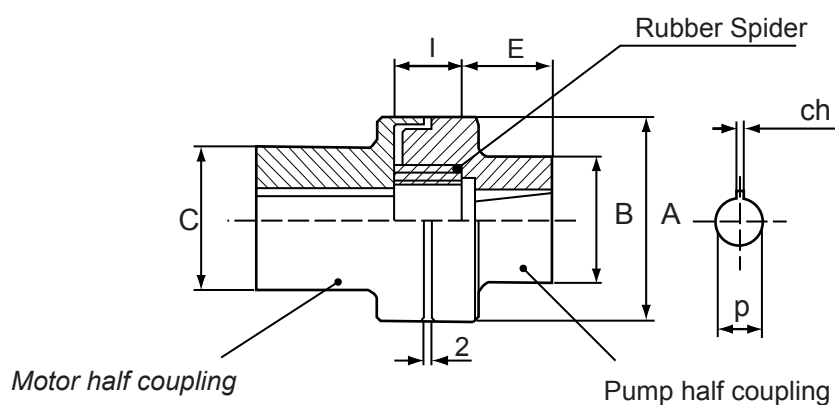
Stock No.	Description	Pump Type	Shaft Dia.	A	B	E	I	p	ch	List Price
ND65HD24	Coupling Half	ISO 80	20 mm	65	42	50	18	20	6	
ND65HD34	Coupling Half	ISO 100	25 mm	65	42	50	18	25	8	
ND86HD24	Coupling Half	ISO 80	20 mm	86	55	48	20	20	6	
ND86HD34	Coupling Half	ISO 100	25 mm	86	55	48	20	25	8	
ND86KD43	Coupling Half	ISO 125	32 mm	86	64	68	20	32	10	
ND108HD24	Coupling Half	ISO 80	20 mm	108	64	48	24	20	6	
ND108HD34	Coupling Half	ISO 100	25 mm	108	64	48	24	25	8	
ND108KD43	Coupling Half	ISO 125	32 mm	108	64	70	24	32	10	
ND108KD50	Coupling Half	ISO 160	40 mm	108	64	70	24	40	12	
ND143PD43	Coupling Half	ISO 125	32 mm	143	75	52	29	32	10	
ND143PD50	Coupling Half	ISO 160	40 mm	143	75	52	29	40	12	
ND143PD55	Coupling Half	ISO 200	50 mm	143	75	52	29	50	14	



ND Series Pump Drive Couplings

Aluminium Drive Coupling Halves - Standard Bosch Pumps (1:5 Taper)

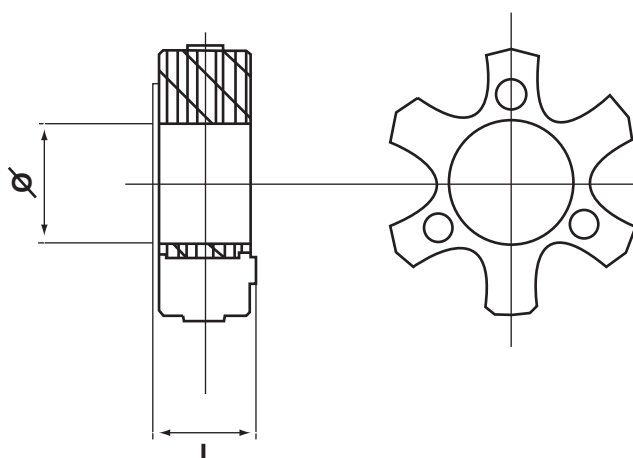
Stock No.	Description	Pump Type	Shaft Dia.	A	B	E	I	p	ch	List Price
ND48PZB	Coupling Half	Type ZB	1:5 Taper	48	30	17	10.2	9.8	2	
ND65PZB	Coupling Half	Type ZB	1:5 Taper	65	34	21.5	10.2	9.8	2	
ND65PZF	Coupling Half	Type ZF	1:5 Taper	65	34	21.5	17.7	16.9	3	
ND65QZF	Coupling Half	Type ZF	1:5 Taper	65	48	31.5	17.7	16.9	3	
ND65QZG	Coupling Half	Type ZG	1:5 Taper	65	48	31.5	26.3	25.2	5	
ND86HZG	Coupling Half	Type ZG	1:5 Taper	86	55	48	26.3	25.2	5	
ND86PZF	Coupling Half	Type ZF	1:5 Taper	86	48	27	17.7	16.9	3	
ND86PZG	Coupling Half	Type ZG	1:5 Taper	86	48	27	26.3	25.2	5	
ND108PZF	Coupling Half	Type ZF	1:5 Taper	108	64	34	17.7	16.9	3	
ND108PZG	Coupling Half	Type ZG	1:5 Taper	108	64	34	26.3	25.2	5	
ND108QZG	Coupling Half	Type ZG	1:5 Taper	108	64	42	26.3	25.2	5	



ND Series Rubber Spiders

Rubber Spiders

Stock No.	Description	Fits Coupling Series	l	Ø	List Price
R42	Rubber Spider	48 Series Coupling	16	19	
R62	Rubber Spider	65 Series Coupling	18	29	
R82	Rubber Spider	86 Series Coupling	20	31.5	
R103	Rubber Spider	108 Series Coupling	24	42	
R132	Rubber Spider	143 Series Coupling	29	64	



Technical Data

Maximum allowable torque in Nm of coupling halves and maximum misalignment.

Size	Max. Allowable Torque	Kw				Max. Misalignment		
		750	1000	1500	3000	Angle	Radial (mm)	Axial (mm)
ND48	6.86	0.54	0.72	1.1	2.1	2°	0.4	1
ND65	38.2	3	4	6	12		0.5	1.6
ND86	87.3	6.84	9.12	13.7	27.3			1.8
ND108	210	16.5	22	33	65.8			2
ND143	725	57	76	144	228		0.6	2
OMT1	19.62	1.55	2	3	6.1	2°	0.14	1
OMT2	42.2	3.3	4.41	6.6	13.3		0.5	
OMT3	112.8	9.1	12.2	17.7	35.4			
OMT4	186.4	14	19.5	29.2	58.5			
OMT5	269.8	21.2	28.2	42.3	84.5			
OMT6	412	32.8	43	64.7	130			



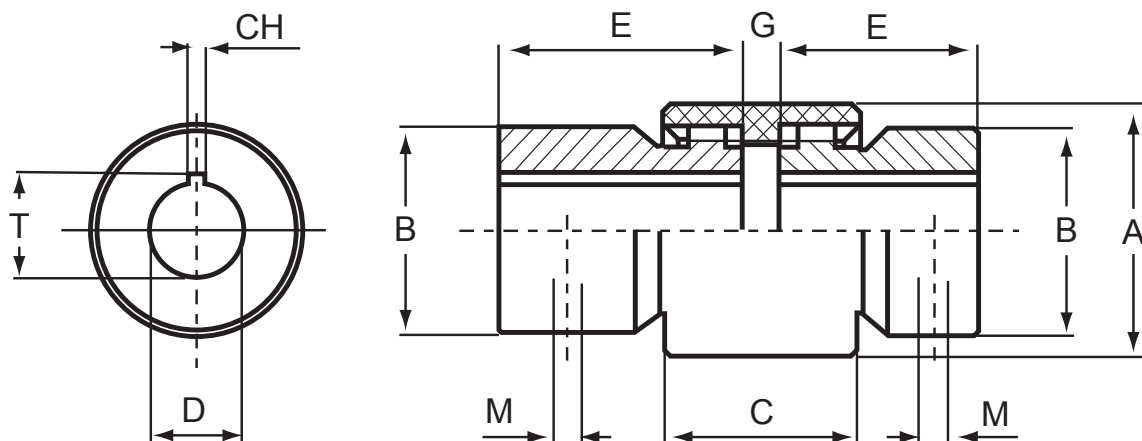
OMT Series Steel Drive Couplings

Steel Flexible Drive Coupling Halves - Electric Motor

Stock No.	Description	Shaft Dia.	Motor Frame	B	E	D	CH	T	G	List Price
OMT2040C20	Coupling Half	19 mm	D80	45	40	19	6	21.8	4	
OMT2050C31	Coupling Half	24 mm	D90	45	50	24	8	27.3	4	
OMT3060C36	Coupling Half	28 mm	D100/112	57	60	28	8	31.3	4	
OMT4080C36	Coupling Half	28 mm	D100/112	69	80	28	8	31.3	4	
OMT4080C47	Coupling Half	38 mm	D132	69	80	38	10	41.3	4	
OMT5110C51	Coupling Half	42 mm	D160	81	110	42	12	45.3	4	
OMT5110C54	Coupling Half	48 mm	D180	81	110	48	14	51.8	4	
OMT6110C56	Coupling Half	55 mm	D200	99	110	55	16	59.3	8	
OMT6140C57	Coupling Half	60 mm	D225	99	140	60	18	64.4	8	

Steel Flexible Drive Coupling Halves - SAE Pumps Parallel

Stock No.	Description	Shaft Dia.	Pump Type	B	E	D	CH	T	G	List Price
OMT2040D62	Coupling Half	1/2"	SAE	45	40	12.7	3.18	13.8	4	
OMT2040D10	Coupling Half	5/8"	SAE	45	40	15.88	4	17.7	4	
OMT2040D22	Coupling Half	3/4"	SAE	45	40	19.05	4.76	21.3	4	
OMT2040D28	Coupling Half	7/8"	SAE	45	40	22.22	6.35	25	4	
OMT3040D10	Coupling Half	5/8"	SAE	57	40	15.88	4	17.7	4	
OMT3040D22	Coupling Half	3/4"	SAE	57	40	19.05	4.76	21.3	4	
OMT3040D28	Coupling Half	7/8"	SAE	57	40	22.22	6.35	25	4	
OMT4040D10	Coupling Half	5/8"	SAE	69	40	15.88	4	17.7	4	
OMT4040D22	Coupling Half	3/4"	SAE	69	40	19.05	4.76	21.3	4	
OMT4040D28	Coupling Half	7/8"	SAE	69	40	22.22	6.35	25	4	
OMT4040D35	Coupling Half	1"	SAE	69	40	25.4	6.35	28.8	4	
OMT4040D40	Coupling Half	1-1/4"	SAE	69	40	31.75	7.94	35.5	4	
OMT5060D10	Coupling Half	5/8"	SAE	81	60	15.88	4	17.7	4	
OMT5060D28	Coupling Half	7/8"	SAE	81	60	22.22	6.35	25	4	
OMT5060D35	Coupling Half	1"	SAE	81	60	25.4	6.35	28.8	4	
OMT5060D40	Coupling Half	1-1/4"	SAE	81	60	31.75	7.94	35.5	4	
OMT6080D28	Coupling Half	7/8"	SAE	99	80	22.22	6.35	25	8	
OMT6080D35	Coupling Half	1"	SAE	99	80	25.4	6.35	28.8	8	
OMT6080D40	Coupling Half	1-1/4"	SAE	99	80	31.75	7.94	35.5	8	



14



OMT Series Steel Drive Couplings

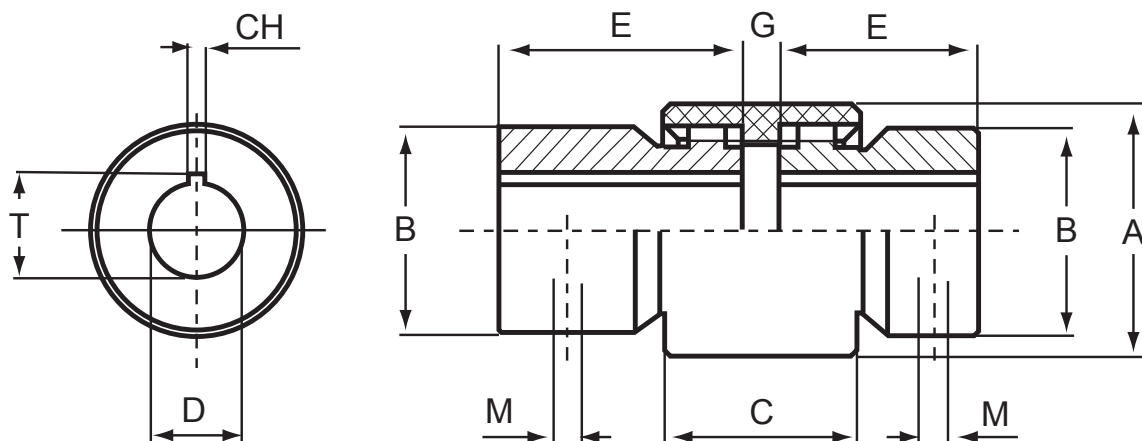
Steel Flexible Drive Coupling Halves - SAE Spline

Stock No.	Description	Shaft Dia.	Pump Type	B	E	D	Teeth	List Price
OMT2040SE07	Coupling Half	5/8" 9T	SAE	45	40	15.88	9	
OMT2040SE10	Coupling Half	7/8" 13T	SAE	45	40	22.22	13	
OMT3040SE07	Coupling Half	5/8" 9T	SAE	57	40	15.88	9	
OMT3040SE08	Coupling Half	3/4" 11T	SAE	57	40	19.05	11	
OMT3040SE10	Coupling Half	7/8" 13T	SAE	57	40	22.22	13	
OMT4040SE07	Coupling Half	5/8" 9T	SAE	69	40	15.88	9	
OMT4040SE08	Coupling Half	3/4" 11T	SAE	69	40	19.05	11	
OMT4040SE10	Coupling Half	7/8" 13T	SAE	69	40	22.22	13	
OMT4040SE11	Coupling Half	1" 15T	SAE	69	40	25.4	15	
OMT4040SE04	Coupling Half	1-1/4" 14T	SAE	69	40	31.75	14	
OMT5060SE07	Coupling Half	5/8" 9T	SAE	81	60	15.88	9	
OMT5060SE08	Coupling Half	3/4" 11T	SAE	81	60	19.05	11	
OMT5060SE10	Coupling Half	7/8" 13T	SAE	81	60	22.22	13	
OMT5060SE11	Coupling Half	1" 15T	SAE	81	60	25.4	15	
OMT5060SE04	Coupling Half	1-1/4" 14T	SAE	81	60	31.75	14	
OMT6080SE10	Coupling Half	7/8" 13T	SAE	99	80	22.22	13	
OMT6080SE11	Coupling Half	1" 15T	SAE	99	80	25.4	15	
OMT6080SE04	Coupling Half	1-1/4" 14T	SAE	99	80	31.75	14	

Plastic Driving Ring

Stock No.	Description	Suits	Max. Torque	C	A	G	List Price
POL1	Polymide 6.6 Ring	OMT1	19.62 Nm	40	40	4	
POL2	Polymide 6.6 Ring	OMT2	42.2 Nm	42	55	4	
POL3	Polymide 6.6 Ring	OMT3	112.8 Nm	45	70	4	
POL4	Polymide 6.6 Ring	OMT4	186.4 Nm	48	86	4	
POL5	Polymide 6.6 Ring	OMT5	269.8 Nm	50	102	4	
POL6	Polymide 6.6 Ring	OMT6	412 Nm	72	150	8	

Note: These rings do not interchange with UCC UCDCS sleeves.





LOV Series Steel Flexible Drive Couplings

Steel Flexible Drive Couplings - LOV Series

Stock No.	Description	Shaft Dia.	Rated Torque In-Lbs	HP @ RPM				Max. Speed RPM	List Price
				300	1200	1800	3600		
LOV075500	Engine Shaft Coupling Half	1/2"	75.6	0.36	1.44	2.16	4.32	11000	
LOV075750	Engine Shaft Coupling Half	3/4"	75.6	0.36	1.44	2.16	4.32	11000	
LOV075875	Engine Shaft Coupling Half	7/8"	75.6	0.36	1.44	2.16	4.32	11000	
LOV075M16	Engine Shaft Coupling Half	16 mm	75.6	0.36	1.44	2.16	4.32	11000	
LOV075M20	Engine Shaft Coupling Half	20 mm	75.6	0.36	1.44	2.16	4.32	11000	
LOV075437	Pump Shaft Coupling Half	7/16"	75.6	0.36	1.44	2.16	4.32	11000	

LOV09525	Engine Shaft Coupling Half	25 mm	176.0	0.84	3.36	5.04	10.08	9000	
LOV095028	Engine Shaft Coupling Half	28 mm	176.0	0.84	3.36	5.04	10.08	9000	
LOV095500	Engine Shaft Coupling Half	1/2"	176.0	0.84	3.36	5.04	10.08	9000	
LOV0951000	Engine Shaft Coupling Half	1"	176.0	0.84	3.36	5.04	10.08	9000	
LOV0951125	Engine Shaft Coupling Half	1-1/8"	176.0	0.84	3.36	5.04	10.08	9000	
LOV095437	Pump Shaft Coupling Half	7/16"	176.0	0.84	3.36	5.04	10.08	9000	
LOV095625	Pump Shaft Coupling Half	5/8"	176.0	0.84	3.36	5.04	10.08	9000	

Rubber Spider

LOV075SOX	Rubber Spider	Fits all LOV075 Couplings		
LOV095SOX	Rubber Spider	Fits all LOV095 Couplings		

