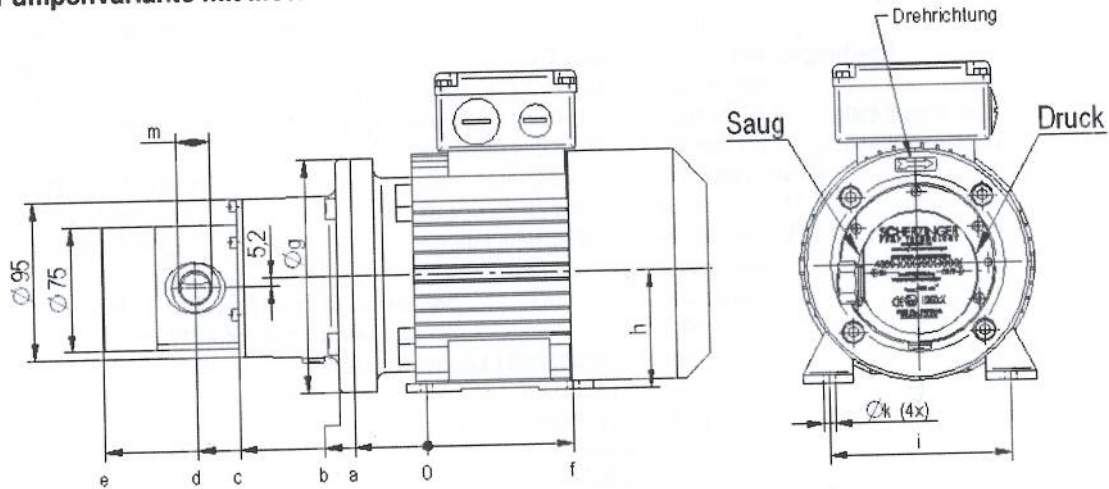


1.4. Pumpenabmessungen
Pumpenvariante mit Motor:



Pumpentyp	Abmaße (mm)										
	a	b	c	d	e	f	g	h	i	k	m
4030-280-DM-37-2	45,0	54,0	116,0	142,0	196,0	90,0	140,0	71,0	112,0	7,0	G1/2
4030-280-DM-25-4	45,0	54,0	116,0	142,0	196,0	90,0	140,0	71,0	112,0	7,0	G1/2
4030-450-DM-55-2	45,0	54,0	116,0	142,0	202,0	90,0	140,0	71,0	112,0	7,0	G1/2
4030-450-DM-37-4	45,0	54,0	116,0	142,0	202,0	90,0	140,0	71,0	112,0	7,0	G1/2
4030-710-DM-75-2	50,0	62,0	147,5	173,5	242,5	100,0	160,0	80,0	125,0	9,0	G3/4
4030-710-DM-55-4	50,0	62,0	147,5	173,5	242,5	100,0	160,0	80,0	125,0	9,0	G3/4
4030-280-B-DM-37-2	45,0	54,0	116,0	142,0	199,0	90,0	140,0	71,0	112,0	7,0	G1/2
4030-280-B-DM-25-4	45,0	54,0	116,0	142,0	199,0	90,0	140,0	71,0	112,0	7,0	G1/2
4030-450-B-DM-55-2	45,0	54,0	116,0	142,0	205,0	90,0	140,0	71,0	112,0	7,0	G1/2
4030-450-B-DM-37-4	45,0	54,0	116,0	142,0	205,0	90,0	140,0	71,0	112,0	7,0	G1/2
4030-710-B-DM-75-2	50,0	62,0	147,5	173,5	245,5	100,0	160,0	80,0	125,0	9,0	G3/4
4030-710-B-DM-55-4	50,0	62,0	147,5	173,5	245,5	100,0	160,0	80,0	125,0	9,0	G3/4

Abbildung 1 Abmaße mit Motor

1.5. Beschreibung des Typenschildes (Deckelbeschriftung)
Typenschild zu Pumpe mit Motor:

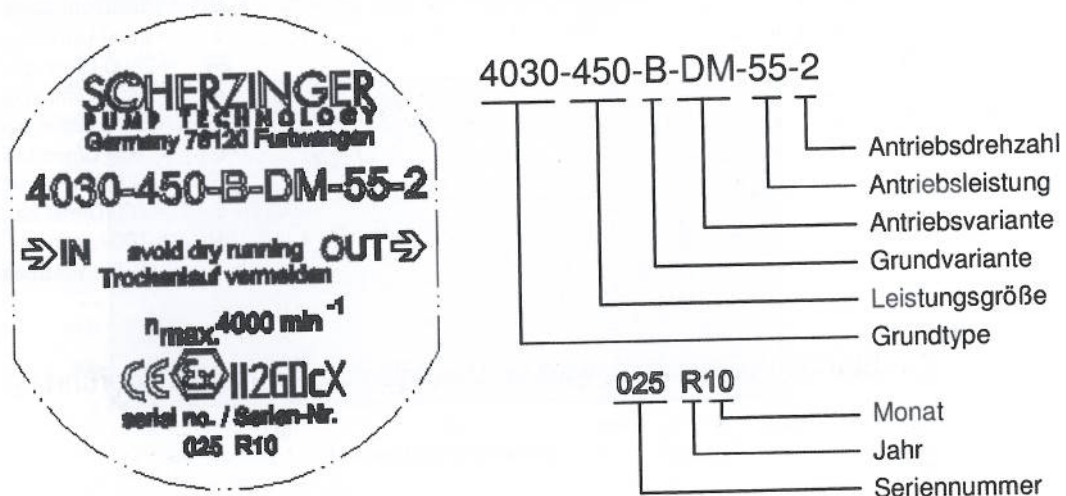


Abbildung 2 Typenschild zu Pumpe mit Motor