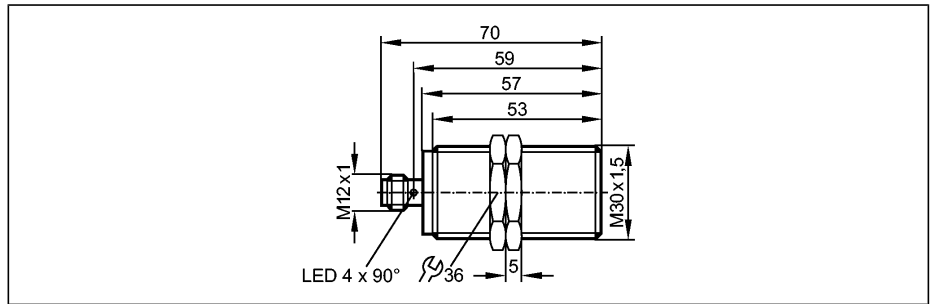


Inductive sensors

IIS206

IIC015BASKG/M/US
 Inductive sensor
 Metal thread M30 x 1.5
 Connector
 Operation as 3-wire or 2-wire possible
 Increased sensing range
 Optical setting aid (2 LED)
 gold-plated contacts

Sensing range 15 mm [f]
 flush mountable



Made in Germany

Electrical design	
Output	
Operating voltage	[V]
Current rating	[mA]
Minimum load current	[mA]
Short-circuit protection	
Reverse polarity protection	
Overload protection	
Voltage drop	[V]
Leakage current	[mA]
Current consumption	[mA]
Real sensing range (Sr)	[mm]
Operating distance	[mm]
Switch-point drift	[% of Sr]
Hysteresis	[% of Sr]
Switching frequency	[Hz]
Correction factors	
Ambient temperature	[°C]
Protection	
EMC	
MTTF	[Years]
Housing materials	
Function display	
Switching status	LED
Setting aid	LED
Connection	
Weight	[kg]
Remarks	
Accessories (included)	

3-wire DC PNP; 2-wire DC PNP/NPN normally open	
Operating voltage	10...36 DC
Current rating	100
Minimum load current	2 *)
Short-circuit protection	pulsed
Reverse polarity protection	yes
Overload protection	yes
Voltage drop	< 2.5
Leakage current	< 0.5 *)
Current consumption	< 10 (24 V)
Real sensing range (Sr)	15 ± 10 %
Operating distance	0...12.1
Switch-point drift	-10...10
Hysteresis	3...15
Switching frequency	100
Correction factors	mild steel = 1 / stainless steel approx. 0.7 / brass approx. 0.5 / Al approx. 0.4 / Cu approx. 0.3
Ambient temperature	-25...70
Protection	IP 67, II
EMC	EN 61000-4-2 ESD: 4 kV CD / 8 kV AD EN 61000-4-3 HF radiated: 10 V/m (80...1000 MHz) EN 61000-4-4 Burst: 2 kV EN 61000-4-6 HF conducted: 10 V (0.15...80 MHz) EN 55011: class B
MTTF	1475
Housing materials	brass white bronze coated; active face: PBT
Function display	
Switching status	yellow (4 x 90°)
Setting aid	red
Connection	M12 connector; gold-plated contacts
Weight	0.142
Remarks	suitable for PLC type 1 according to IEC 61131-2 *) only in 2-wire operation
Accessories (included)	2 lock nuts

IIS206

Wiring

