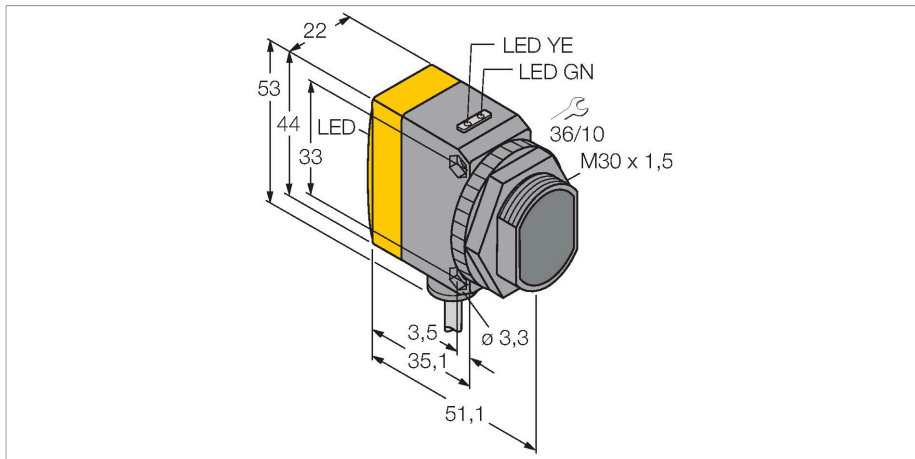


# QS30RRXSH20

## Photoelectric Sensor – Opposed Mode Sensor (Emitter/Receiver)

### For Water Detection



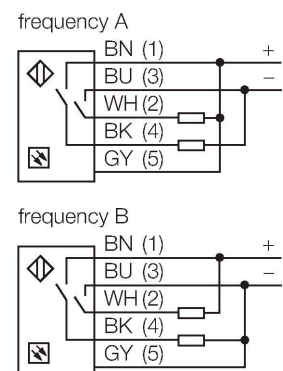
#### Technical data

Type	QS30RRXSH20
ID	3083304
<b>Optical data</b>	
Function	Opposed mode sensor
Operating mode	Receiver
Range	0...8000 mm
<b>Electrical data</b>	
Operating voltage	10...30 VDC
Residual ripple	< 10 % U <sub>ss</sub>
DC rated operational current	≤ 65 mA
Short-circuit protection	yes
Reverse polarity protection	yes
Output function	NO contact, dark operation, PNP/NPN
Readiness delay	≤ 100 ms
Response time typical	< 10 ms
<b>Mechanical data</b>	
Design	Rectangular with thread, QS30
Dimensions	Ø 30 x 54.3 x 22 x 53 mm
Housing material	Plastic, Thermoplastic material, Yellow
Lens	plastic, Acrylic
Electrical connection	Cable, 2 m, PVC
Number of cores	5
Core cross-section	0.5 mm <sup>2</sup>
Ambient temperature	-20...+60 °C

#### Features

- Cable, PVC, 2 m
- Protection class IP67
- Cable, 2 m
- Super high-power water detection sensor
- Operating voltage: 10...30 VDC
- Switching output, bipolar, dark operation

#### Wiring diagram



#### Functional principle

The opposed mode sensor incorporates an emitter and a receiver. The emitter emits light in the near IR range with a wavelength of 1450 nm, which approximates one of the absorption edges of water. The resulting high contrast ratio leads to a particularly high sensitivity with water or media containing water as opposed to transparent media.

## Technical data

Protection class	IP67
Special features	Encapsulated Water detection
Power-on indication	LED, Green
Switching state	LED, Yellow
Error indication	LED, green, Flashing
Excess gain indication	Bargraph, yellow, flashing
Tests/approvals	
Approvals	CE

## Accessories

<p><b>SMBQS30Y</b></p>	<p><b>3002811</b></p> <p>Protective housing, stainless steel, for QS30 series</p>	<p><b>SMBQS30YL</b></p>	<p><b>3072741</b></p> <p>Protective housing with safety glass panel, stainless steel, for QS30 series</p>
<p><b>SMB30A</b></p>	<p><b>3032723</b></p> <p>Mounting bracket, rectangular, stainless steel, for sensors with 30mm thread</p>	<p><b>SMBQS30L</b></p>	<p><b>3002809</b></p> <p>Mounting bracket, stainless steel, for QS30 series</p>
<p><b>SMB30MM</b></p>	<p><b>3027162</b></p> <p>Mounting bracket, rectangular, stainless steel, for sensors with 30 mm thread, wide holes for accurate alignment</p>	<p><b>SMB30SC</b></p>	<p><b>3052521</b></p> <p>Mounting bracket, PBT black, for sensors with 30 mm thread, rotatable</p>