

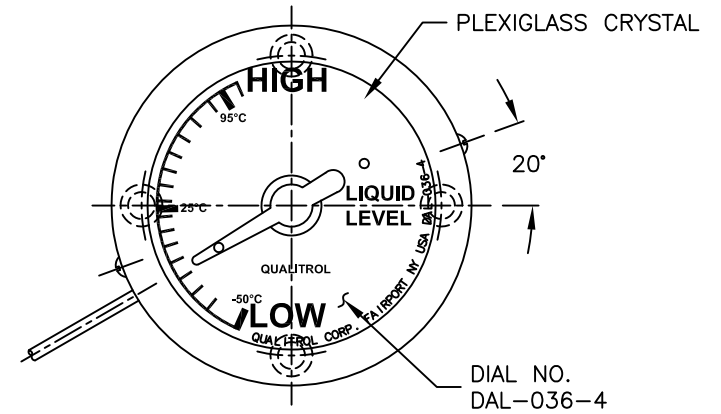
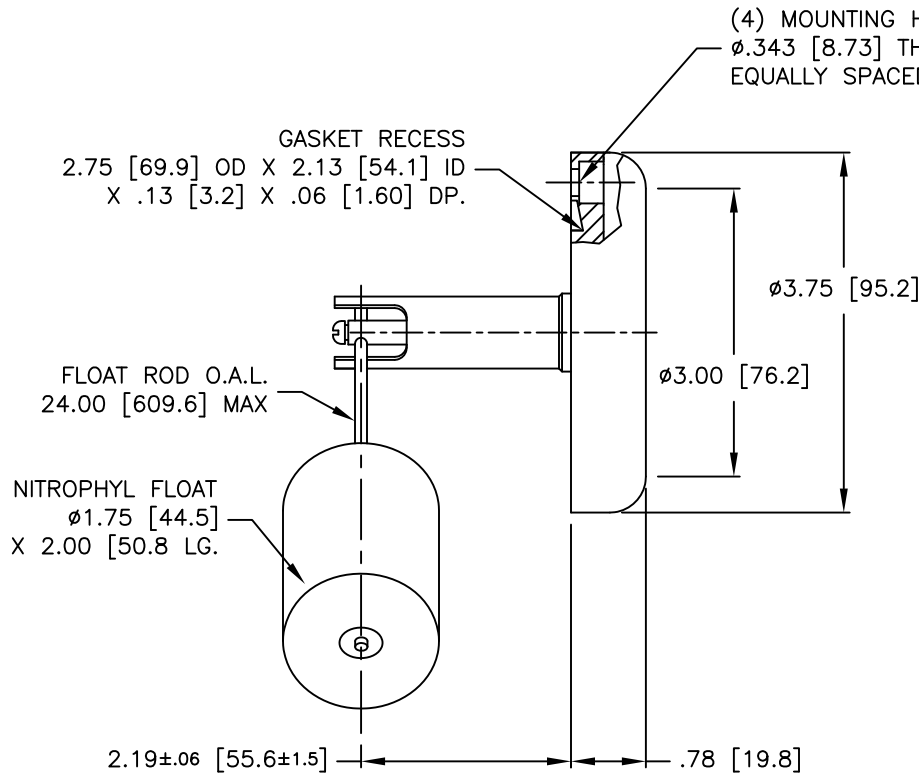
NOTICE
 THIS DRAWING IS THE PROPERTY OF QUALITROL COMPANY LLC AND IS LOANED ONLY ON THE CONDITION THAT IT WILL BE USED TO FACILITATE THE PURPOSE FOR WHICH INTENDED AND NOT BE REPRODUCED, COPIED OR OTHERWISE DISPOSED OF, AND IS NOT TO BE USED IN WHOLE OR PART FOR FURNISHING INFORMATION RELATIVE TO THE MAKING OF DRAWINGS, PARTS APPARATUS OR PARTS THEREOF, EXCEPT BY WRITTEN ORDER FROM QUALITROL COMPANY LLC.

MODEL NO. 030-005-01

NOTES: (UNLESS OTHERWISE SPECIFIED)

1. DIMENSIONS ARE IN INCHES [MILLIMETERS].
2. CASE ASSEMBLY IS SEALED AGAINST DUST & MOISTURE.
3. DIAL COLORS:
 DIAL BACKGROUND: BLACK
 CHARACTERS: WHITE
 POINTER: WHITE
4. FLOAT ROD MUST BE ASSEMBLED TO EXTEND FROM SAME SIDE OF SHAFT AS SPOTFACING.
5. SPLIT OVERTRAVEL EQUALLY, BOTH SIDES OF DIAL.

POINTER LEADS FLOAT ROD BY 0°±2°



-	10-11-10	REDRAWN IN CAD; ADDED (MM); CONVERTED FRACTIONS TO DECIMALS; WAS B-SIZE	28598
A	6-3-77	ADDED MAX & PART NO.	7990
-	12-6-74	RELEASED	7053
LET	DATE	ALTERATION	C.N.

QUALITROL

DIMENSIONS AND TOLERANCES IN
 ACCORDANCE WITH ASME Y14.5M-1994

PH. (585) 586-1515
 FAX (585) 377-0220

1385 FAIRPORT ROAD
 FAIRPORT, NY 14450

FORM 0-473 REV. F 04/06/06

TITLE: 3" LIQUID LEVEL GAGE

MODEL NO. 030-005-01