

# FRI series

Maximum pressure up to 20 bar - Flow rate up to 1500 l/min



The correct filter sizing have to be based on the variable pressure drop depending by the application. For example, for the return filter the pressure drop have to be in the range 0.4 - 0.6 bar.

The pressure drop calculation is performed by adding together the value of the housing with the value of the filter element. The pressure drop in the housing is proportional to the fluid density (kg/dm<sup>3</sup>); all the graphs in the catalogue are referred to mineral oil with density of 0.86 kg/dm<sup>3</sup>.

The filter element pressure drop is proportional to its viscosity (mm<sup>2</sup>/s), the corrective factor Y is related to an oil viscosity different than 30 mm<sup>2</sup>/s.

### Sizing data for single cartridge, head at top

$\Delta p_c$  = Filter housing pressure drop [bar]

$\Delta p_e$  = Filter element pressure drop [bar]

Y = Multiplication factor Y (see correspondent table), depending on the filter element size, on the filter element lenght and on the filter media

Q = flow rate (l/min)

V1 reference viscosity = 30 mm<sup>2</sup>/s (cSt)

V2 = operating viscosity in mm<sup>2</sup>/s (cSt)

$\Delta p_e = Y : 1000 \times Q \times (V2/V1)$

$\Delta p_{Tot.} = \Delta p_c + \Delta p_e$

### Calculation examples with HLP Mineral oil Variation in viscosity

Application data:

Top tank return filter

Filter with in-line connections

Pressure Pmax = 10 bar

Flow rate Q = 120 l/min

Viscosity V2 = 46 mm<sup>2</sup>/s (cSt)

Oil viscosity = 0.86 kg/dm<sup>3</sup>

Required filtration efficiency = 25 µm with absolute filtration

With bypass valve and 1 1/4" inlet connection

From the working pressure and the flow rate we understand it should be possible using the following top tank return filter series: MPT, MPH and FRI. Let's proceed with MPT series.

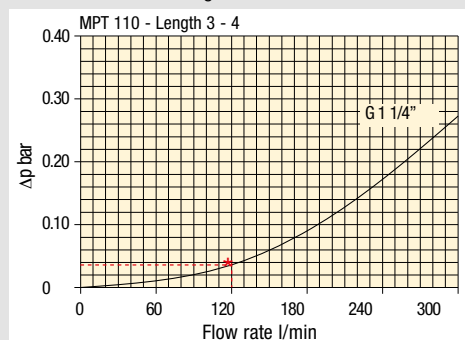
The size 20 doesn't achieve the required flow rate, therefore we have to consider the size 100. The final version of size 100 (101, 104, 110, 120 and 114) will be then defined in function of the mounting characteristics.

$\Delta p_c = 0.03 \text{ bar}$  (★ see graphic below, considering size 100 with the max available lenght to get the lowest pressure drop)

$\Delta p_e = (2.0 : 1000) \times 120 \times (46/30) = 0.37 \text{ bar}$

$\Delta p_{Tot.} = 0.03 + 0.37 = 0.4 \text{ bar}$

The selection is correct because the total pressure drop value is inside the admissible range for top tank return filters. It is of course possible trying to find a different solution, according to the mounting position or to other commercial need, repeating the previous steps while using a different series or lenght.



### Filter housings $\Delta p$ pressure drop.

The curves are plotted using mineral oil with density of 0.86 kg/dm<sup>3</sup> in compliance with ISO 3968.  $\Delta p$  varies proportionally with density.

**Corrective factor Y, to be used for the filter element pressure drop calculation. The values depend to the filter size and lenght and to the filter media.**

Reference viscosity 30 mm<sup>2</sup>/s

## Return filters

Filter element	Absolute filtration H Series					Nominal filtration N Series			
	Type	A03	A06	A10	A16	A25	P10	P25	M25 M60 M90
MF 020	1	74.00	50.08	20.00	16.00	9.00	6.43	5.51	4.40
	2	29.20	24.12	8.00	7.22	5.00	3.33	2.85	2.00
	3	22.00	19.00	6.56	5.33	4.33	1.68	1.44	1.30
MF 030 MFX 030	1	74.00	50.08	20.00	16.00	9.00	6.43	5.51	3.40
MF 100 MFX 100	1	28.20	24.40	8.67	8.17	6.88	4.62	3.96	1.25
	2	17.33	12.50	6.86	5.70	4.00	3.05	2.47	1.10
	3	10.25	9.00	3.65	3.33	2.50	1.63	1.32	0.96
	4	6.10	5.40	2.30	2.20	2.00	1.19	0.96	0.82
MF 180 MFX 180	1	3.67	3.05	1.64	1.56	1.24	1.18	1.06	0.26
	2	1.69	1.37	0.68	0.54	0.51	0.43	0.39	0.12
MF 190 MFX 190	2	1.69	1.37	0.60	0.49	0.44	0.35	0.31	0.11
MF 400 MFX 400	1	3.20	2.75	1.39	1.33	1.06	0.96	0.87	0.22
	2	2.00	1.87	0.88	0.85	0.55	0.49	0.45	0.13
	3	1.90	1.60	0.63	0.51	0.49	0.39	0.35	0.11
MF 750 MFX 750	1	1.08	0.84	0.49	0.36	0.26	0.21	0.19	0.06
CU 025		78.00	48.00	28.00	24.00	9.33	9.33	8.51	1.25
CU 040		25.88	20.88	10.44	10.00	3.78	3.78	3.30	1.25
CU 100		15.20	14.53	5.14	4.95	2.00	2.00	0.17	1.10
CU 250		3.25	2.55	1.55	1.35	0.71	0.71	0.59	0.25
CU 630		1.96	1.68	0.85	0.72	0.42	0.42	0.36	0.09
CU 850		1.06	0.84	0.42	0.33	0.17	0.17	0.13	0.04
MR 100	1	19.00	17.00	6.90	6.30	4.60	2.94	2.52	1.60
	2	11.70	10.80	4.40	4.30	3.00	2.94	2.52	1.37
	3	7.80	6.87	3.70	3.10	2.70	2.14	1.84	1.34
	4	5.50	4.97	2.60	2.40	2.18	1.72	1.47	1.34
	5	4.20	3.84	2.36	2.15	1.90	1.60	1.37	1.34
MR 250	1	5.35	4.85	2.32	1.92	1.50	1.38	1.20	0.15
	2	4.00	3.28	1.44	1.10	1.07	0.96	0.83	0.13
	3	2.60	2.20	1.08	1.00	0.86	0.77	0.64	0.12
	4	1.84	1.56	0.68	0.56	0.44	0.37	0.23	0.11
MR 630	1	3.10	2.48	1.32	1.14	0.92	0.83	0.73	0.09
	2	2.06	1.92	0.82	0.76	0.38	0.33	0.27	0.08
	3	1.48	1.30	0.60	0.56	0.26	0.22	0.17	0.08
	4	1.30	1.20	0.48	0.40	0.25	0.21	0.16	0.08
	5	0.74	0.65	0.30	0.28	0.13	0.10	0.08	0.04
MR 850	1	0.60	0.43	0.34	0.25	0.13	0.12	0.09	0.03
	2	0.37	0.26	0.23	0.21	0.11	0.08	0.07	0.03
	3	0.27	0.18	0.17	0.17	0.05	0.04	0.04	0.02
	4	0.23	0.16	0.13	0.12	0.04	0.03	0.03	0.02

**Corrective factor Y, to be used for the filter element pressure drop calculation.**  
**The values depend to the filter size and lenght and to the filter media.**

Reference viscosity 30 mm<sup>2</sup>/s

## Suction filters

Filter element	Nominal filtration N Series	
	P10	P25
<b>SF 250</b>	65	21

## Return / Suction filters

Filter element	Absolute filtration			
	A10	A16	A25	
<b>RSX 116</b>	1	5.12	4.33	3.85
	2	2.22	1.87	1.22
<b>RSX 165</b>	1	2.06	1.75	1.46
	2	1.24	1.05	0.96
	3	0.94	0.86	0.61

## Low & Medium pressure filters

Filter element	Type	Absolute filtration N-W Series					Nominal filtration N Series		
		A03	A06	A10	A16	A25	P10	P25	M25
<b>CU 110</b>	1	16.25	15.16	8.75	8.14	5.87	2.86	2.65	0.14
	2	12.62	10.44	6.11	6.02	4.15	1.60	1.49	0.12
	3	8.57	7.95	5.07	4.07	2.40	1.24	1.15	0.11
	4	5.76	4.05	2.80	2.36	1.14	0.91	0.85	0.05
<b>CU 210</b>	1	5.30	4.80	2.00	1.66	1.32	0.56	0.43	0.12
	2	3.44	2.95	1.24	1.09	0.70	0.42	0.35	0.09
	3	2.40	1.70	0.94	0.84	0.54	0.33	0.23	0.05
<b>DN</b>	016	7.95	7.20	3.00	2.49	1.98	0.84	0.65	0.18
	025	5.00	4.53	1.89	1.57	1.25	0.53	0.41	0.11
	040	3.13	2.66	1.12	0.98	0.63	0.38	0.32	0.08
<b>CU 400</b>	2	3.13	2.55	1.46	1.22	0.78	0.75	0.64	0.19
	3	2.15	1.70	0.94	0.78	0.50	0.40	0.34	0.10
	4	1.60	1.28	0.71	0.61	0.40	0.34	0.27	0.08
	5	1.00	0.83	0.47	0.34	0.20	0.24	0.19	0.06
	6	0.82	0.58	0.30	0.27	0.17	0.22	0.18	0.05
	<b>CU 900</b>	1	0.86	0.63	0.32	0.30	0.21	-	-
<b>CU 950</b>	2	1.03	0.80	0.59	0.40	0.26	-	-	0.05
	3	0.44	0.40	0.27	0.18	0.15	-	-	0.02
<b>MR 630</b>	7	0.88	0.78	0.36	0.34	0.16	0.12	0.96	0.47

# FILTER SIZING Corrective factor

Corrective factor **Y**, to be used for the filter element pressure drop calculation.  
The values depend to the filter size and lenght and to the filter media.

Reference viscosity 30 mm<sup>2</sup>/s

## High pressure filters

Filter element	Absolute filtration N - R Series					Nominal filtration N Series	
	Type	A03	A06	A10	A16		A25
HP 011	1	332.71	250.07	184.32	152.36	128.36	-
	2	220.28	165.56	74.08	59.13	37.05	-
	3	123.24	92.68	41.48	33.08	20.72	-
	4	77.76	58.52	28.37	22.67	16.17	-
HP 039	1	70.66	53.20	25.77	20.57	14.67	4.90
	2	36.57	32.28	18.00	13.38	8.00	2.90
	3	26.57	23.27	12.46	8.80	5.58	2.20
HP 050	1	31.75	30.30	13.16	12.3	7.29	1.60
	2	24.25	21.26	11.70	9.09	4.90	1.40
	3	17.37	16.25	8.90	7.18	3.63	1.25
	4	12.12	10.75	6.10	5.75	3.08	1.07
	5	7.00	6.56	3.60	3.10	2.25	0.80
HP 065	1	58.50	43.46	23.16	19.66	10.71	1.28
	2	42.60	25.64	16.22	13.88	7.32	1.11
	3	20.50	15.88	8.18	6.81	3.91	0.58
HP 135	1	20.33	18.80	9.71	8.66	4.78	2.78
	2	11.14	10.16	6.60	6.38	2.22	1.11
	3	6.48	6.33	3.38	3.16	2.14	1.01
HP 320	1	10.88	9.73	5.02	3.73	2.54	1.04
	2	4.40	3.83	1.75	1.48	0.88	0.71
	3	2.75	2.11	1.05	0.87	0.77	0.61
	4	2.12	1.77	0.98	0.78	0.55	0.47
HP 500	1	4.44	3.67	2.30	2.10	1.65	0.15
	2	3.37	2.77	1.78	1.68	1.24	0.10
	3	2.22	1.98	1.11	1.09	0.75	0.08
	4	1.81	1.33	0.93	0.86	0.68	0.05
	5	1.33	1.15	0.77	0.68	0.48	0.04

Filter element	Absolute filtration N Series					Nominal filtration N Series	
	Type	A03	A06	A10	A16		A25
HF 320	1	3.65	2.95	2.80	1.80	0.90	0.38
	2	2.03	1.73	1.61	1.35	0.85	0.36
	3	1.84	1.42	1.32	1.22	0.80	0.35

## Stainless steel high pressure filters

Filter element	Absolute filtration N Series					
	Type	A03	A06	A10	A16	A25
HP 011	1	332.71	250.07	184.32	152.36	128.36
	2	220.28	165.56	74.08	59.13	37.05
	3	123.24	92.68	41.48	33.08	20.72
	4	77.76	58.52	28.37	22.67	16.17
HP 039	2	70.66	53.20	25.77	20.57	14.67
	3	36.57	32.28	18.00	13.38	8.00
	4	26.57	23.27	12.46	0.88	5.58
	1	31.75	30.30	13.16	12.3	7.29
HP 050	2	24.25	21.26	11.70	9.09	4.90
	3	17.37	16.25	8.90	7.18	3.63
	4	12.12	10.75	6.10	5.75	3.08
	5	7.00	6.56	3.60	3.10	2.25
	1	20.33	18.80	9.71	8.66	4.78
HP 135	2	11.14	10.16	6.60	6.38	2.22
	3	6.48	6.33	3.38	3.16	2.14

Filter element	Absolute filtration H - U Series					
	Type	A03	A06	A10	A16	A25
HP 011	1	424.58	319.74	235.17	194.44	163.78
	2	281.06	211.25	94.53	75.45	47.26
	3	130.14	97.50	43.63	34.82	21.81
	4	109.39	82.25	36.79	29.37	18.40
HP 039	2	70.66	53.20	25.77	20.57	14.67
	3	36.57	32.28	18.00	13.38	8.00
	4	26.57	23.27	12.46	8.80	5.58
	1	47.33	34.25	21.50	20.50	14.71
HP 050	2	29.10	25.95	14.04	10.90	5.88
	3	20.85	19.50	10.68	8.61	4.36
	4	14.55	12.90	7.32	6.90	3.69
	5	9.86	9.34	6.40	4.80	2.50
	1	29.16	25.33	13.00	12.47	5.92
HP 135	2	14.28	11.04	7.86	7.60	4.44
	3	8.96	7.46	4.89	4.16	3.07

**Step 1** Select "FILTERS"



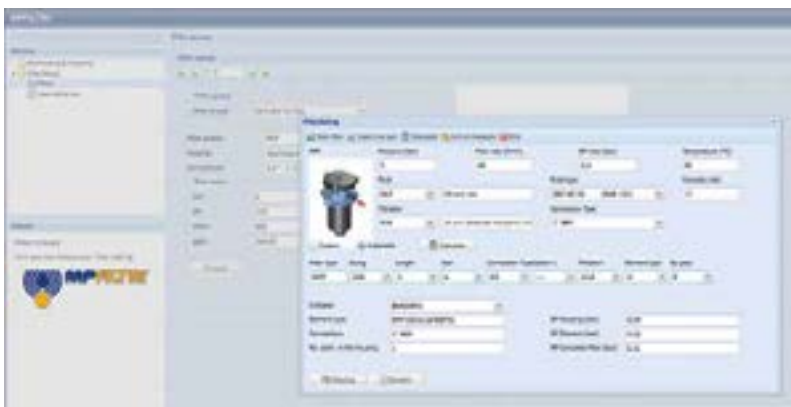
**Step 2** Choose filter group (Return Filter, Pressure Filter, etc.)



**Step 3** Choose filter type (MPF, MPT, etc.) in function of the max working pressure and the max flow rate



**Step 4** Push "PROCEED"



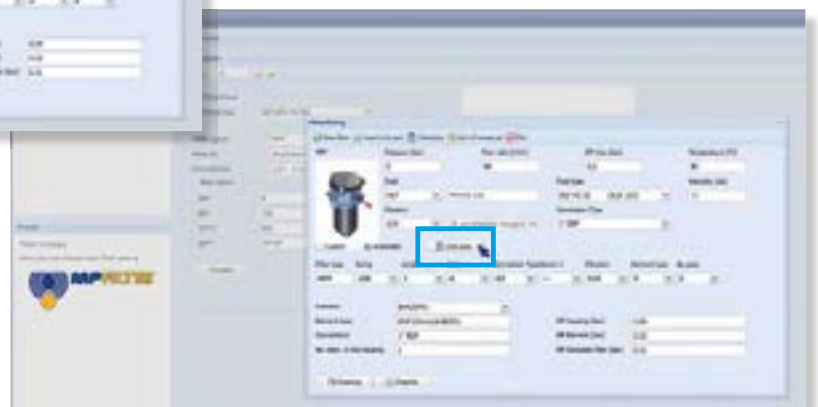
**Step 5**

Insert all application data to calculate the filter size following the sequence:

- working pressure
- working flow rate
- working pressure drop
- working temperature
- fluid material and fluid type
- filtration media
- connection type

**Step 6**

Push "CALCULATE" to have result; in case of any mistake, the system will advice which parameter is out of range to allow to modify/adjust the selection



**Step 7**

Download PDF Datasheet "Report.aspx" pushing the button "Drawing"



THE NEW FILTER CONCEPT

MPFX  
MPTX  
MFBX  
MFX  
series

### NEW FILTER ELEMENT WITH EXCLUSIVE INTERFACE CONNECTION

- ◆ **Protects the machine from improper use of non-original products.**
- ◆ **Safety of constant quality protection & reliability**

With exclusive filter element you are sure that only filter elements MP Filtri can be used, ensuring the best cleaning level of the oil due to the use of originals filter elements.



Filter element featuring our UNIQUE end cap with polygonal design.



UNIQUE polygonal spigot fitting within the filter bowl.

The products identified as MPFX, MPTX, MFBX and MFX are protected by one or more of the following patent applications:

European Patent Pending: n° 16181725.9  
Italian Patent Pending: n° 102015000040473  
US Patent Pending: n° 15/224,337  
Canadian Patent Pending: n° 2,937,258



# FRI series

Maximum pressure up to 20 bar - Flow rate up to 1500 l/min



## Technical data

**Return filter** Maximum pressure up to 20 bar - Flow rate up to 1500 l/min

### Filter housing materials

- Filter body:
  - Aluminium: FRI 255
  - Anodized Aluminium: FRI 025-040-100-250-630
  - Phosphated Steel: FRI 850

- Cover:
  - Polyamide, GF reinforced (only for: FRI 255)
  - Anodized Aluminium (the other insert assemblies)

- Valve:
  - Polyamide, GF reinforced - Steel

### Seals

- Standard NBR series A
- Optional FPM series V

### Temperature

From -25 °C to +110 °C

### Note

FRI filters are provided for vertical mounting

### Pressure

Working pressure: 2 MPa (20 bar)

### Bypass valve

Opening pressure 240 kPa (2.4 bar)

### $\Delta p$ element type

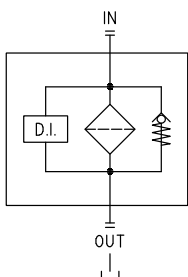
- Microfibre filter elements - series N: 10 bar
- Fluid flow through the filter element from OUT to IN.

## Weights [kg] and volumes [dm<sup>3</sup>]

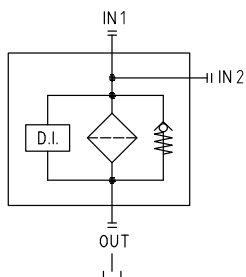
	Weights [kg]		Volumes [dm <sup>3</sup> ]	
	Lenght	1	Lenght	1
<b>FRI 025</b>		1.0		0.28
<b>FRI 040</b>		2.0		0.70
<b>FRI 100</b>		3.8		1.09
<b>FRI 250</b>		6.3		2.60
<b>FRI 255</b>		4.2		3.20
<b>FRI 630</b>		13.8		7.05
<b>FRI 850</b>		48.0		21.50

## Hydraulic symbols

Style  
2 connections + Diff. indic.  
FRI 255-850



Style  
3 connections + Diff. indic.  
FRI 025-040-100-250-630

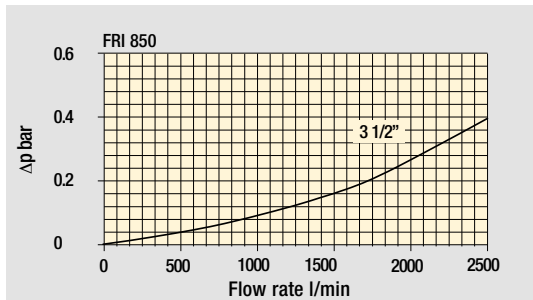
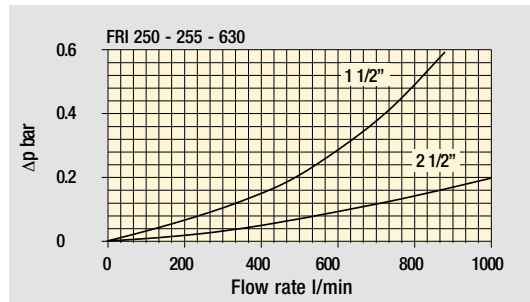
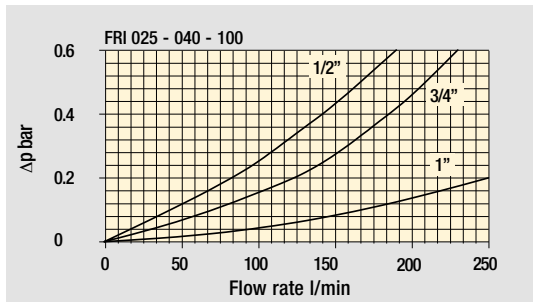




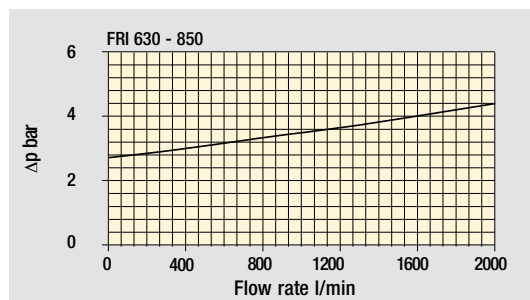
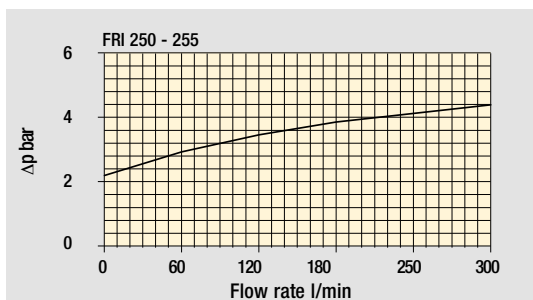
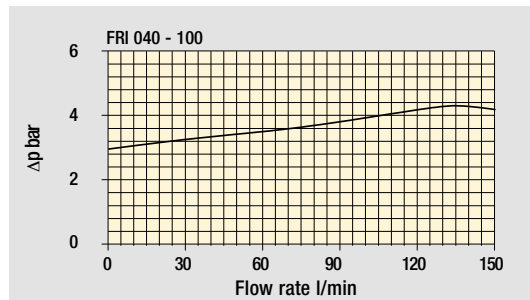
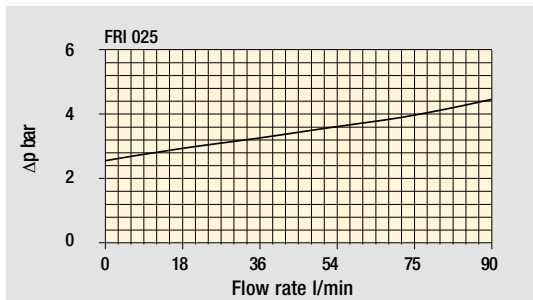
The curves are plotted using mineral oil with density of 0.86 kg/dm<sup>3</sup> in compliance with ISO 3968.

$\Delta p$  varies proportionally with density.

Filter housings  $\Delta p$  pressure drop



Bypass valve pressure drop



## Designation & Ordering code

### COMPLETE FILTER

<b>Series and size</b>	Configuration example 1: <b>FRI025</b> <b>B</b> <b>A</b> <b>G1</b> <b>A25</b> <b>N</b> <b>P01</b>						
<b>FRI025</b>	Configuration example 2: <b>FRI040</b> <b>S</b> <b>W</b> <b>G2</b> <b>M25</b> <b>N</b> <b>P01</b>						
<b>FRI040</b>							
<b>Bypass valve</b>							
<b>B</b> With bypass							
<b>S</b> Without bypass							
<b>Seals and treatments</b>	Filtration rating						
<b>A</b> NBR	<b>Axx</b>	<b>Mxx</b>	<b>Pxx</b>				
<b>V</b> FPM	•	•	•				
<b>W</b> NBR head anodized	•	•		filter element compatible with fluids HFA-HFB-HFC			
<b>Z</b> FPM head anodized	•	•					
<b>Connections for FRI025</b>	<b>Connections for FRI040</b>						
<b>G1</b> G1/2"	<b>G3/4"</b>						
<b>G2</b> 1/2" NPT	<b>3/4" NPT</b>						
<b>G3</b> SAE 8 - 3/4" - 16 UNF	<b>SAE 12 - 1 1/16" - 12 UN</b>						
<b>Filtration rating (filter media)</b>							
<b>A03</b> Inorganic microfiber 3 µm	<b>M25</b> Wire mesh 25 µm						
<b>A06</b> Inorganic microfiber 6 µm	<b>M60</b> Wire mesh 60 µm						
<b>A10</b> Inorganic microfiber 10 µm	<b>M90</b> Wire mesh 90 µm						
<b>A16</b> Inorganic microfiber 16 µm	<b>P10</b> Resin impregnated paper 10 µm						
<b>A25</b> Inorganic microfiber 25 µm	<b>P25</b> Resin impregnated paper 25 µm						
	<b>Element Δp</b>			<b>Execution</b>			
	<b>N</b> 10 bar			<b>P01</b> MP Filtri standard			
				<b>Pxx</b> Customized			

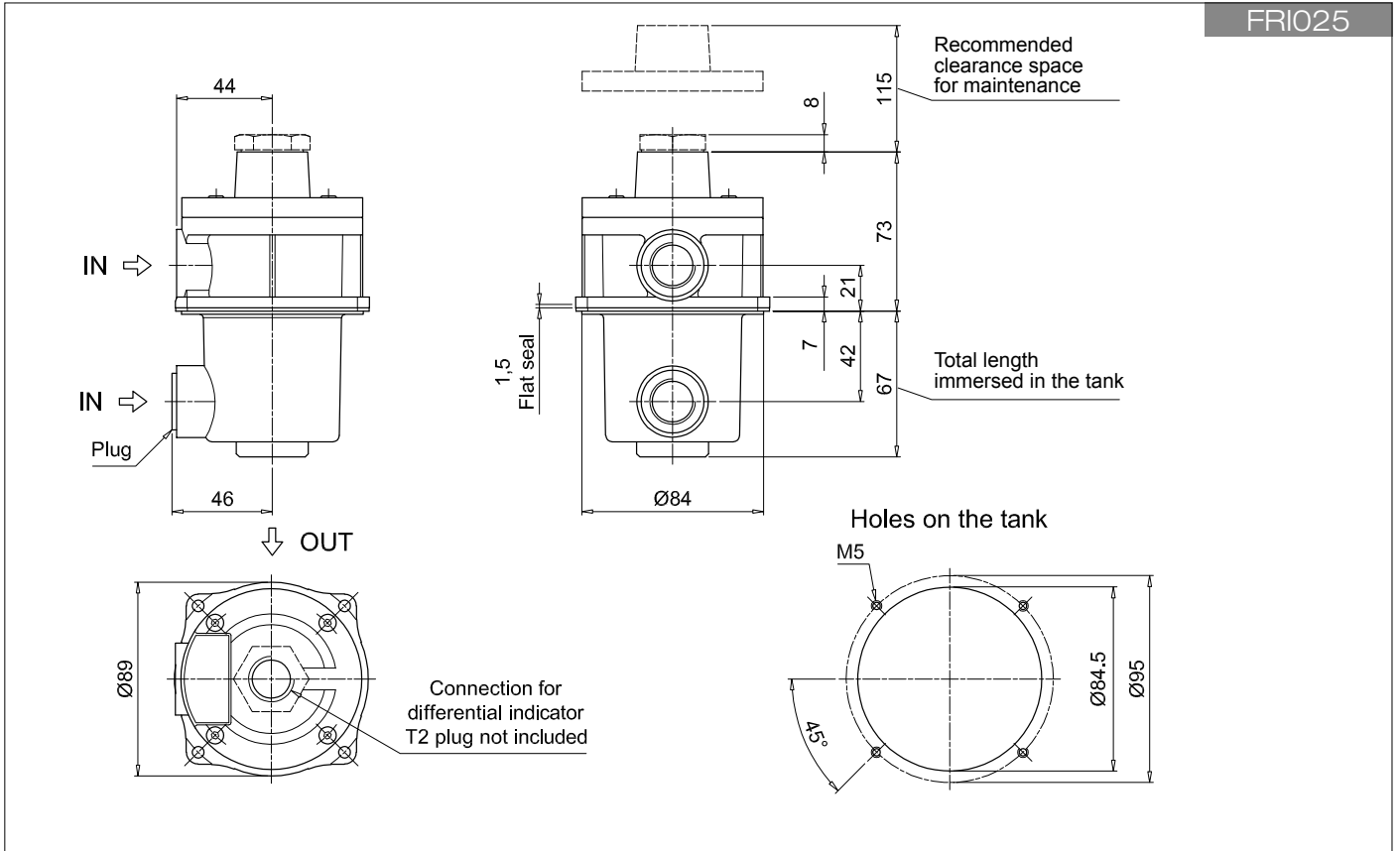
### FILTER ELEMENT

<b>Element series and size</b>	Configuration example 1: <b>CU025</b> <b>A25</b> <b>N</b> <b>P01</b>						
<b>CU025</b>	Configuration example 2: <b>CU040</b> <b>M25</b> <b>W</b> <b>P01</b>						
<b>CU040</b>							
<b>Filtration rating (filter media)</b>							
<b>A03</b> Inorganic microfiber 3 µm	<b>M25</b> Wire mesh 25 µm						
<b>A06</b> Inorganic microfiber 6 µm	<b>M60</b> Wire mesh 60 µm						
<b>A10</b> Inorganic microfiber 10 µm	<b>M90</b> Wire mesh 90 µm						
<b>A16</b> Inorganic microfiber 16 µm	<b>P10</b> Resin impregnated paper 10 µm						
<b>A25</b> Inorganic microfiber 25 µm	<b>P25</b> Resin impregnated paper 25 µm						
<b>Seals and treatments</b>	Filtration rating						
<b>N</b> NBR	<b>Axx</b>	<b>Mxx</b>	<b>Pxx</b>				
<b>V</b> FPM	•	•	•				
<b>W</b> NBR	•	•		filter element compatible with fluids HFA-HFB-HFC			
<b>Z</b> FPM	•	•					
	<b>Execution</b>						
				<b>P01</b> MP Filtri standard			
				<b>Pxx</b> Customized			

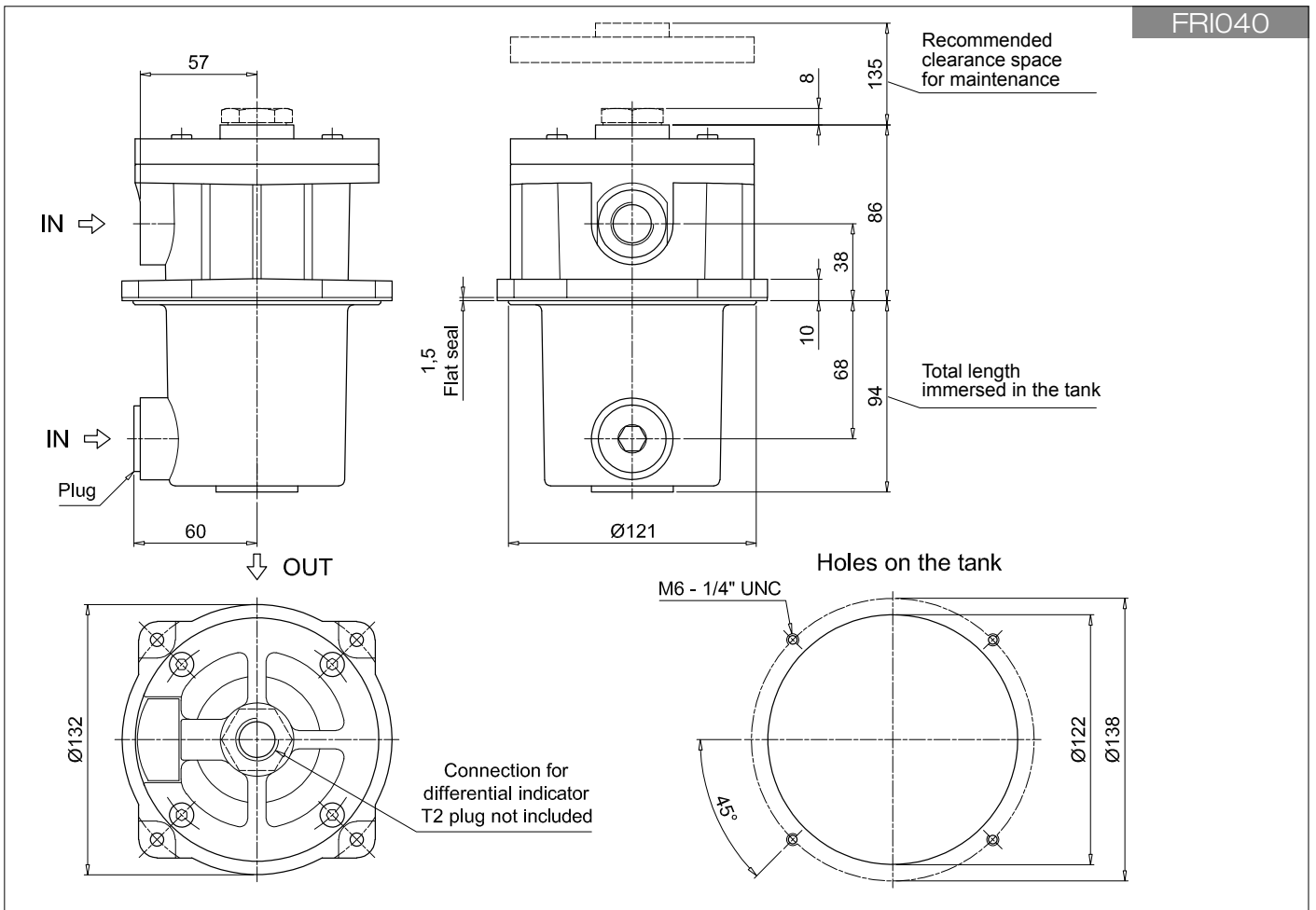
### ACCESSORIES

<b>Indicators</b>	page		page
<b>DEA</b> Electrical differential indicator	218	<b>DTA</b> Electronic differential indicator	221
<b>DEM</b> Electrical differential indicator	218-219	<b>DVA</b> Visual differential indicator	221
<b>DLA</b> Electrical / visual differential indicator	219-220	<b>DVM</b> Visual differential indicator	221
<b>DLE</b> Electrical / visual differential indicator	220		
<b>Additional features</b>	page		
<b>T2</b> Plug	222		

FRI025



FRI040



# FRI FRI100 - FRI250 - FRI630

## Designation & Ordering code

### COMPLETE FILTER

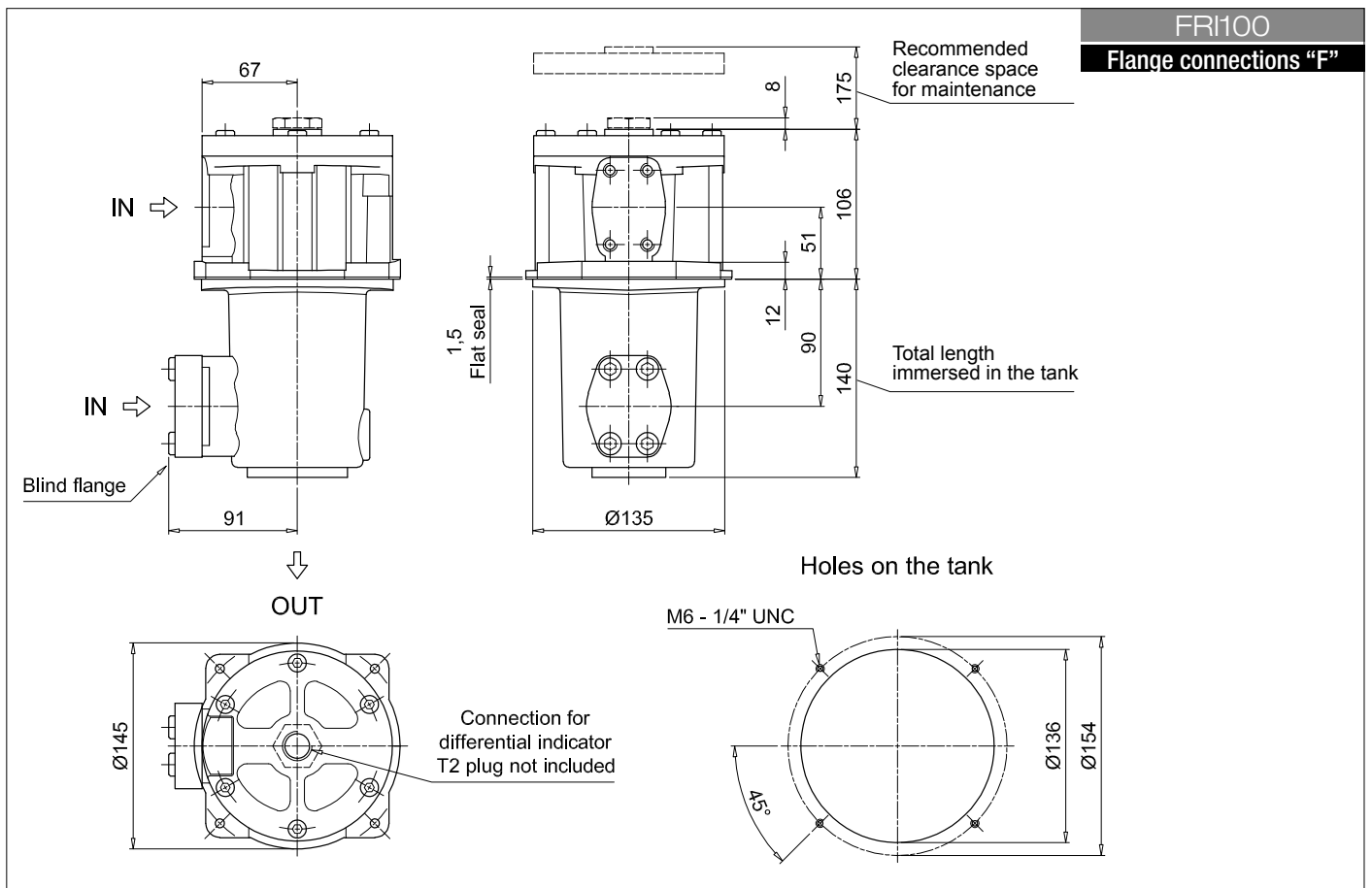
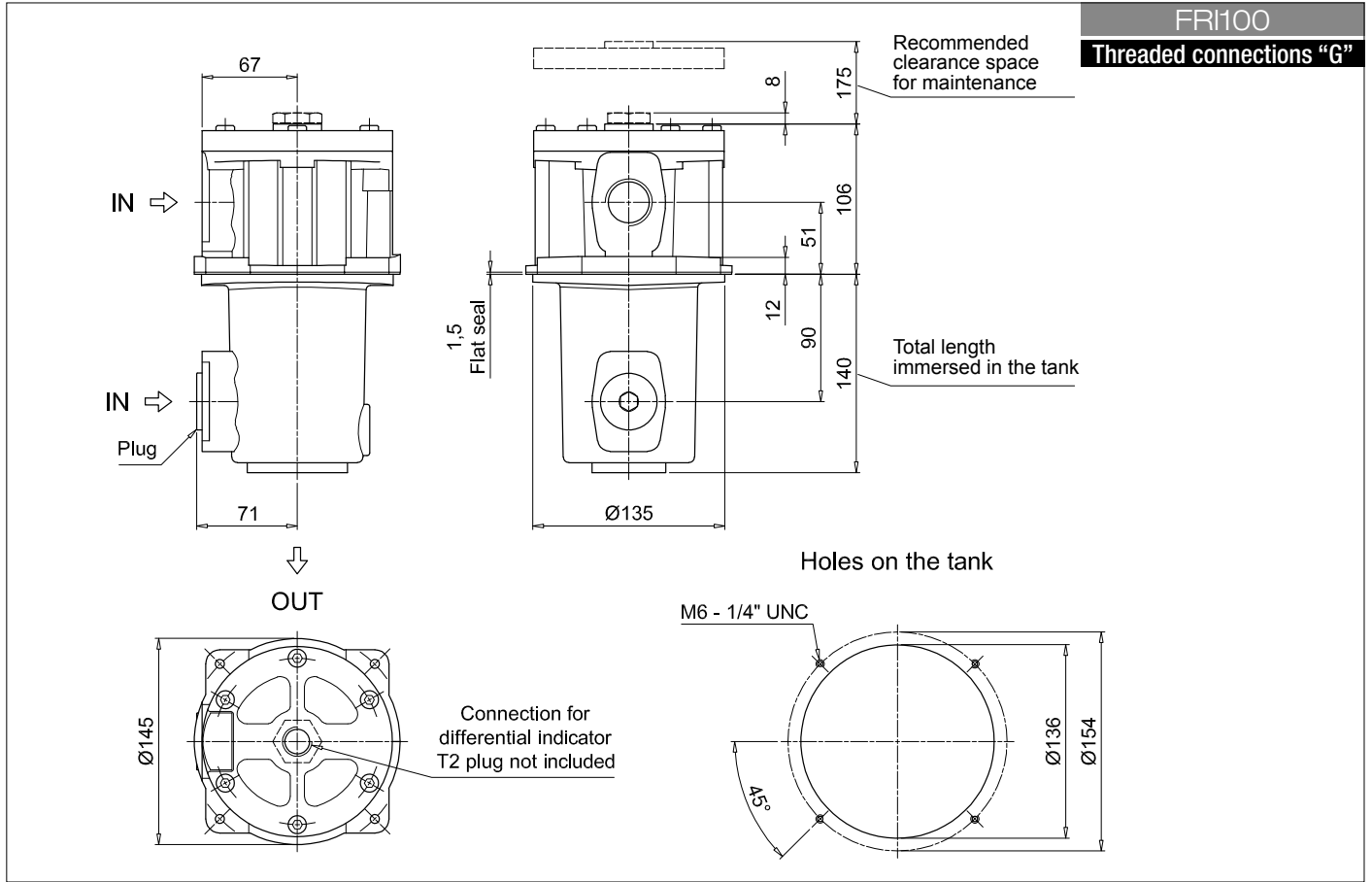
<b>Series and size</b>	Configuration example 1: <b>FRI100</b> <b>B</b> <b>A</b> <b>G1</b> <b>A25</b> <b>N</b> <b>P01</b>						
<b>FRI100</b>	Configuration example 2: <b>FRI630</b> <b>S</b> <b>W</b> <b>F2</b> <b>M25</b> <b>N</b> <b>P01</b>						
<b>FRI250</b>							
<b>FRI630</b>							
<b>Bypass valve</b>							
<b>B</b>	With bypass						
<b>S</b>	Without bypass						
<b>Seals and treatments</b>							
		Filtration rating					
<b>A</b>	NBR	Axx	Mxx	Pxx			
<b>V</b>	FPM						
<b>W</b>	NBR head anodized				filter element compatible with fluids HFA-HFB-HFC		
<b>Z</b>	FPM head anodized						
<b>Connections for FRI100</b>		<b>Connections for FRI250</b>		<b>Connections for FRI630</b>			
<b>G1</b>	G1"	<b>G1</b>	G1 1/2"	<b>G2</b>	G2 1/2"		
<b>G2</b>	1" NPT	<b>G2</b>	1 1/2" NPT	<b>G3</b>	2 1/2" NPT		
<b>G3</b>	SAE 16 - 1 5/16" - 12 UN	<b>G3</b>	SAE 24 - 1 7/8" - 12 UN	<b>F1</b>	2 1/2" SAE 3000 psi/M		
<b>F1</b>	1" SAE 3000 psi/M	<b>F1</b>	1 1/2" SAE 3000 psi/M	<b>F2</b>	2 1/2" SAE 3000 psi/UNC		
<b>F2</b>	1" SAE 3000 psi/UNC	<b>F2</b>	1 1/2" SAE 3000 psi/UNC				
<b>Filtration rating (filter media)</b>							
<b>A03</b>	Inorganic microfiber	3 µm	<b>M25</b>	Wire mesh	25 µm	<b>Element Δp</b>	<b>Execution</b>
<b>A06</b>	Inorganic microfiber	6 µm	<b>M60</b>	Wire mesh	60 µm	<b>N</b>	10 bar
<b>A10</b>	Inorganic microfiber	10 µm	<b>M90</b>	Wire mesh	90 µm	<b>P01</b>	MP Filtri standard
<b>A16</b>	Inorganic microfiber	16 µm	<b>P10</b>	Resin impregnated paper	10 µm	<b>Pxx</b>	Customized
<b>A25</b>	Inorganic microfiber	25 µm	<b>P25</b>	Resin impregnated paper	25 µm		

### FILTER ELEMENT

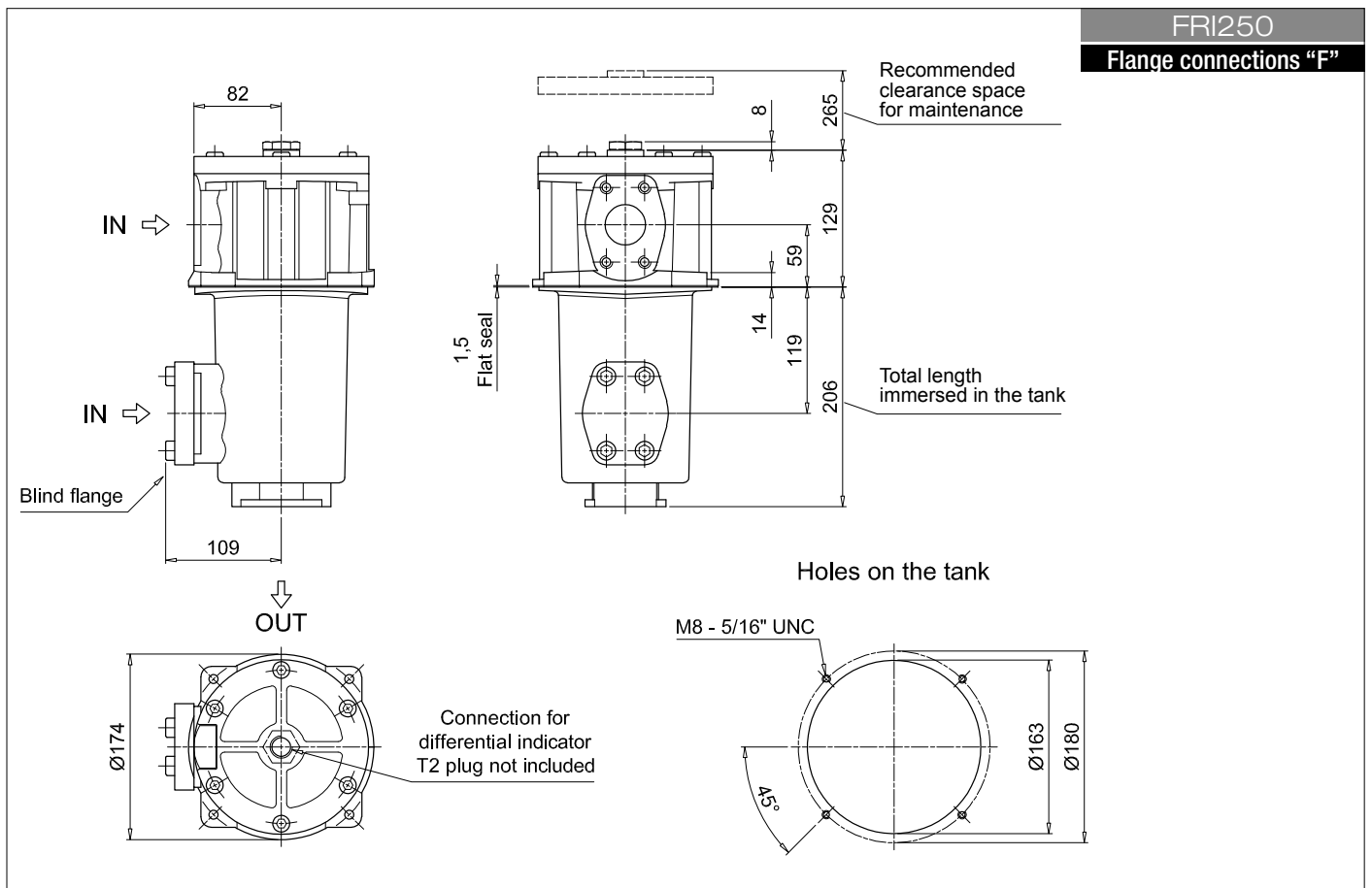
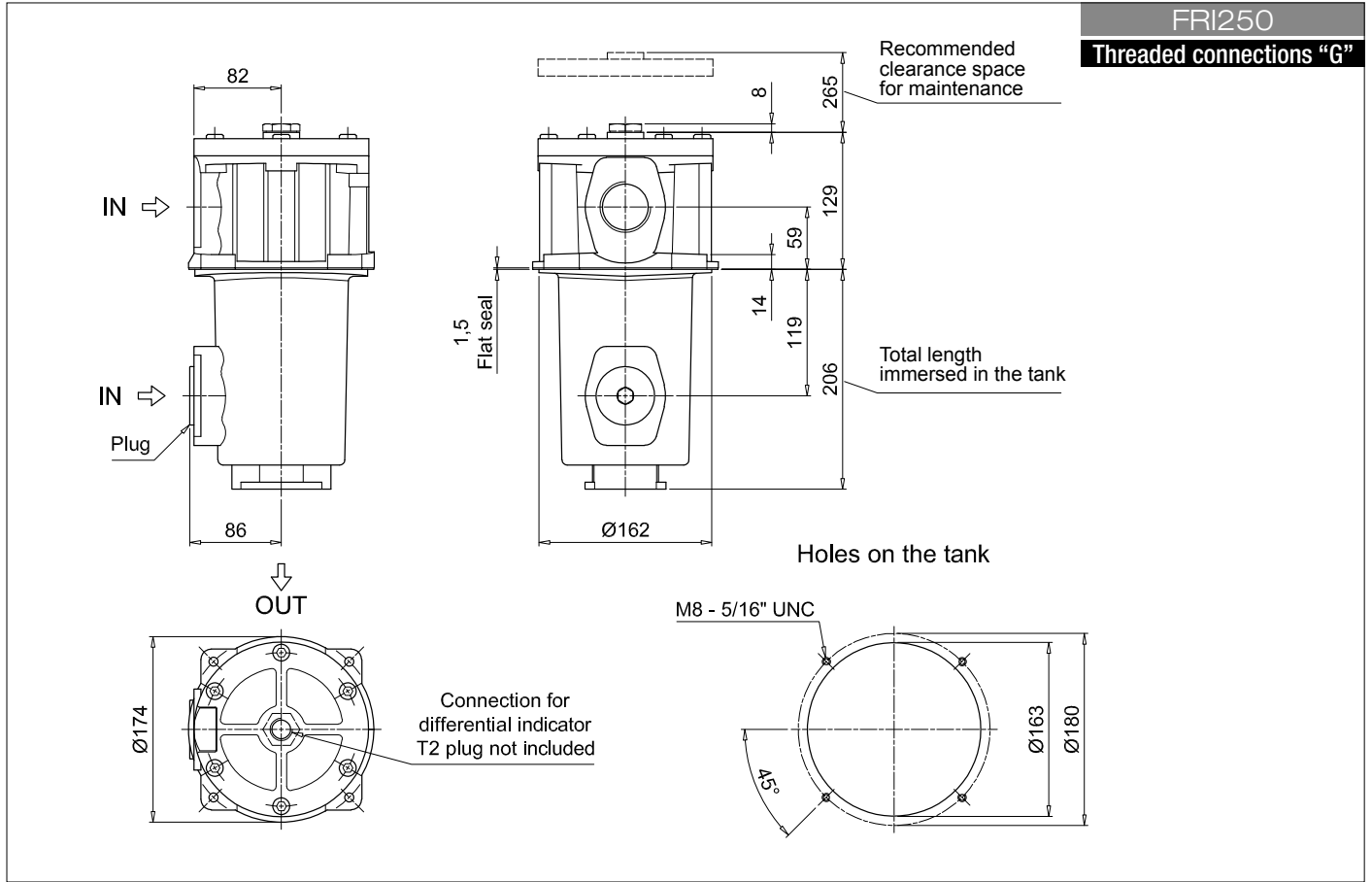
<b>Element series and size</b>	Configuration example 1: <b>CU100</b> <b>A25</b> <b>N</b> <b>P01</b>			
<b>CU100</b>	Configuration example 2: <b>CU630</b> <b>M25</b> <b>W</b> <b>P01</b>			
<b>CU250</b>				
<b>CU630</b>				
<b>Filtration rating (filter media)</b>				
<b>A03</b>	Inorganic microfiber	3 µm	<b>M25</b>	Wire mesh 25 µm
<b>A06</b>	Inorganic microfiber	6 µm	<b>M60</b>	Wire mesh 60 µm
<b>A10</b>	Inorganic microfiber	10 µm	<b>M90</b>	Wire mesh 90 µm
<b>A16</b>	Inorganic microfiber	16 µm	<b>P10</b>	Resin impregnated paper 10 µm
<b>A25</b>	Inorganic microfiber	25 µm	<b>P25</b>	Resin impregnated paper 25 µm
<b>Seals and treatments</b>				
		Filtration rating		
<b>N</b>	NBR	Axx	Mxx	Pxx
<b>V</b>	FPM			
<b>W</b>	NBR			
<b>Z</b>	FPM			
				filter element compatible with fluids HFA-HFB-HFC
<b>Execution</b>				
<b>P01</b>	MP Filtri standard			
<b>Pxx</b>	Customized			

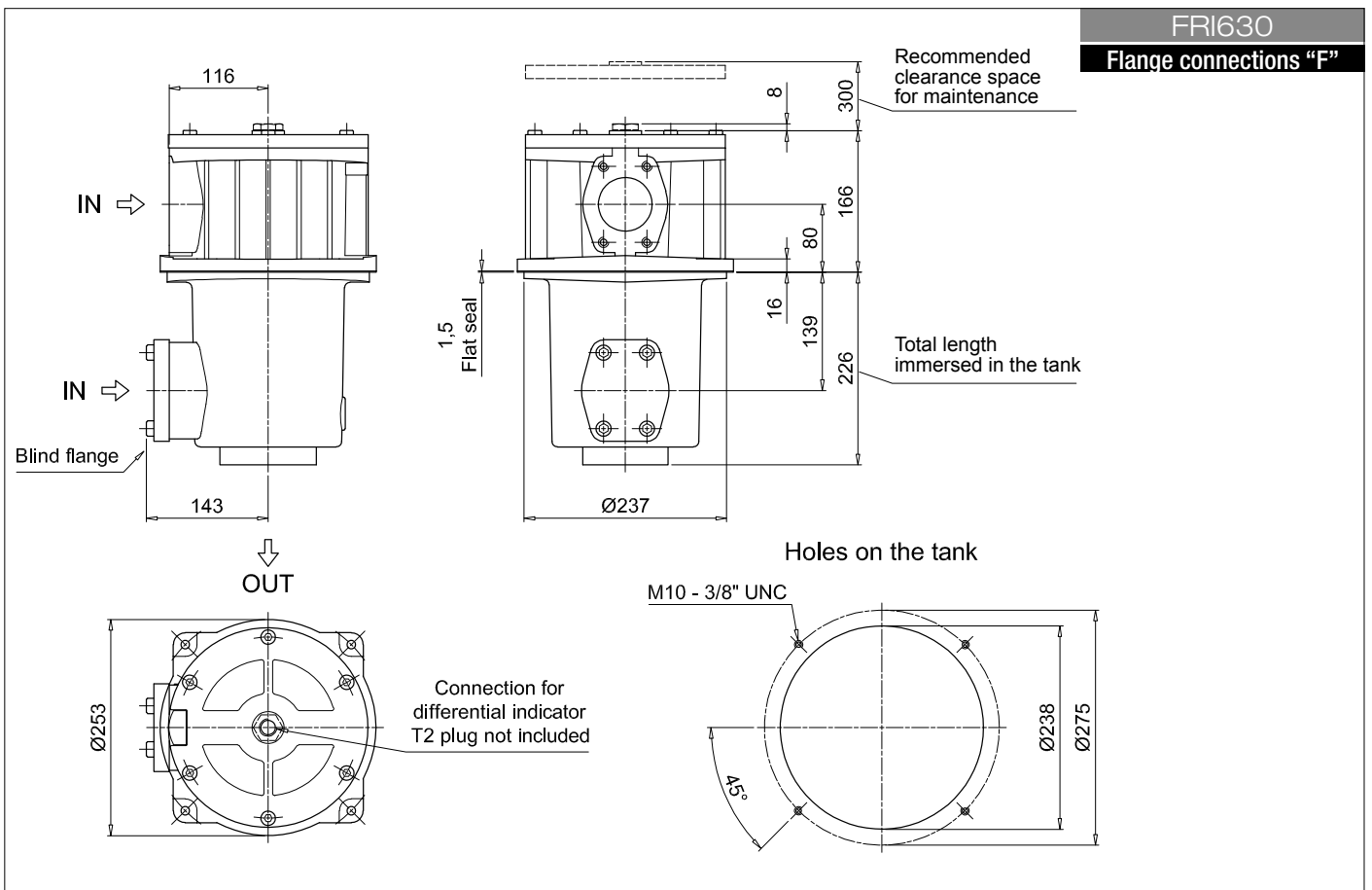
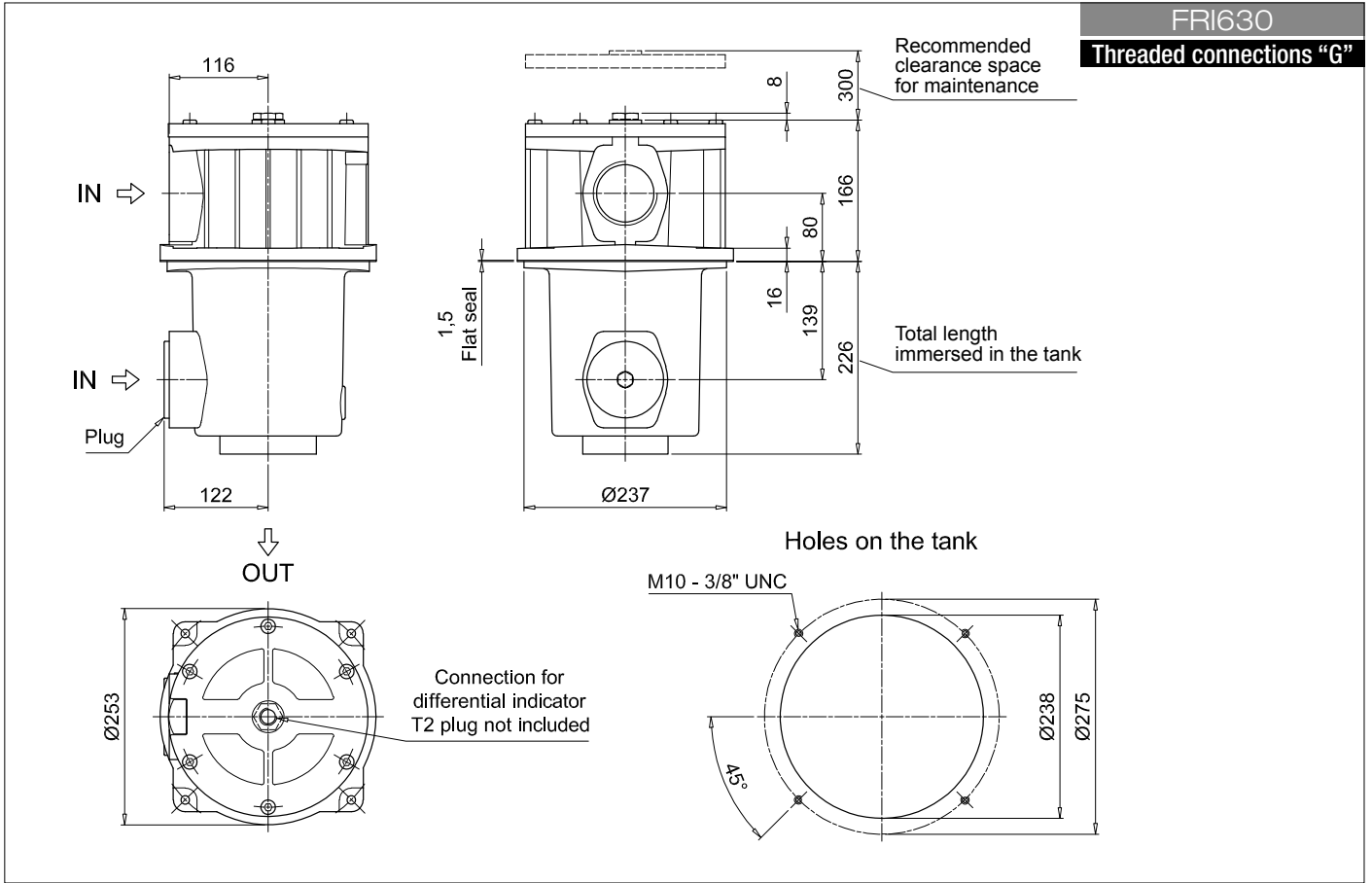
### ACCESSORIES

<b>Indicators</b>	page		page
<b>DEA</b>	Electrical differential indicator	218	<b>DTA</b> Electronic differential indicator 221
<b>DEM</b>	Electrical differential indicator	218-219	<b>DVA</b> Visual differential indicator 221
<b>DLA</b>	Electrical / visual differential indicator	219-220	<b>DVM</b> Visual differential indicator 221
<b>DLE</b>	Electrical / visual differential indicator	220	
<b>Additional features</b>	page		
<b>T2</b>	Plug	222	



## Dimensions





## Designation & Ordering code

### COMPLETE FILTER

<b>Series and size</b>	Configuration example 1: <b>FRI255</b> <b>S</b> <b>W</b> <b>F2</b> <b>M25</b> <b>N</b> <b>P01</b>						
<b>FRI255</b>	Configuration example 2: <b>FRI850</b> <b>B</b> <b>A</b> <b>G1</b> <b>A25</b> <b>N</b> <b>P01</b>						
<b>FRI850</b>							
<b>Bypass valve</b>							
<b>B</b> With bypass							
<b>S</b> Without bypass							
<b>Seals and treatments</b>	Filtration rating						
	<b>Axx</b>	<b>Mxx</b>	<b>Pxx</b>				
<b>A</b> NBR	•	•	•				
<b>V</b> FPM	•	•	•				
<b>W</b> NBR head anodized	•	•		filter element compatible with fluids HFA-HFB-HFC			
<b>Z</b> FPM head anodized	•	•					
<b>Connections for FRI255</b>	<b>Connections for FRI850</b>						
<b>G1</b> G1 1/2"	<b>F1</b> 3 1/2" SAE 3000 psi/M						
<b>G2</b> 1 1/2" NPT	<b>F2</b> 3 1/2" SAE 3000 psi/UNC						
<b>G3</b> SAE 24 - 1 7/8" - 12 UN							
<b>G4</b> G1 1/4"							
<b>G5</b> 1 1/4" NPT							
<b>G6</b> SAE 20 - 1 5/8" - 12 UN							
<b>F1</b> 1 1/2" SAE 3000 psi/M							
<b>F2</b> 1 1/2" SAE 3000 psi/UNC							
<b>Filtration rating (filter media)</b>							
<b>A03</b> Inorganic microfiber 3 µm	<b>M25</b> Wire mesh 25 µm						
<b>A06</b> Inorganic microfiber 6 µm	<b>M60</b> Wire mesh 60 µm						
<b>A10</b> Inorganic microfiber 10 µm	<b>M90</b> Wire mesh 90 µm						
<b>A16</b> Inorganic microfiber 16 µm	<b>P10</b> Resin impregnated paper 10 µm						
<b>A25</b> Inorganic microfiber 25 µm	<b>P25</b> Resin impregnated paper 25 µm						
	<b>Element Δp</b>			<b>Execution</b>			
	<b>N</b> 10 bar			<b>P01</b> MP Filtri standard			
				<b>Pxx</b> Customized			

### FILTER ELEMENT

<b>Element series and size</b>	Configuration example 1: <b>CU250</b> <b>M25</b> <b>W</b> <b>P01</b>			
<b>CU250</b>	Configuration example 2: <b>CU850</b> <b>A25</b> <b>N</b> <b>P01</b>			
<b>CU850</b>				
<b>Filtration rating (filter media)</b>				
<b>A03</b> Inorganic microfiber 3 µm	<b>M25</b> Wire mesh 25 µm			
<b>A06</b> Inorganic microfiber 6 µm	<b>M60</b> Wire mesh 60 µm			
<b>A10</b> Inorganic microfiber 10 µm	<b>M90</b> Wire mesh 90 µm			
<b>A16</b> Inorganic microfiber 16 µm	<b>P10</b> Resin impregnated paper 10 µm			
<b>A25</b> Inorganic microfiber 25 µm	<b>P25</b> Resin impregnated paper 25 µm			
<b>Seals and treatments</b>	Filtration rating			
	<b>Axx</b>	<b>Mxx</b>	<b>Pxx</b>	
<b>N</b> NBR	•	•	•	
<b>V</b> FPM	•	•	•	
<b>W</b> NBR	•	•		filter element compatible with fluids HFA-HFB-HFC
<b>Z</b> FPM	•	•		
	<b>Execution</b>			
	<b>P01</b> MP Filtri standard			
	<b>Pxx</b> Customized			

### FRI255 ACCESSORIES

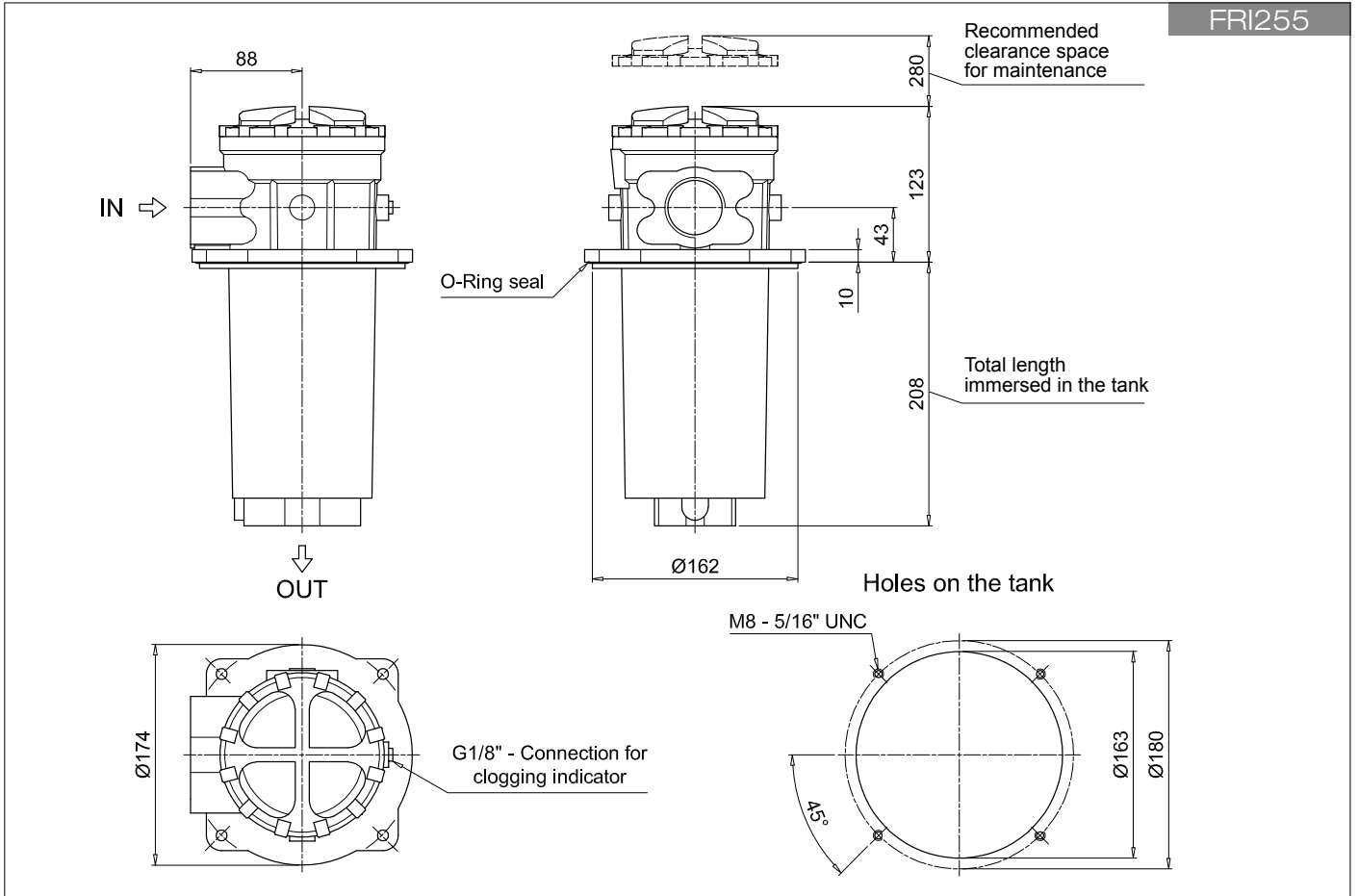
<b>Indicators</b>	page		page
<b>BVA</b> Axial pressure gauge	218	<b>BEA</b> Electrical pressure indicator	221
<b>BVR</b> Radial pressure gauge	218-219	<b>BEM</b> Electrical pressure indicator	221
<b>BVP</b> Visual pressure indicator with automatic reset	219-220	<b>BLA</b> Electrical / visual pressure indicator	221
<b>BVQ</b> Visual pressure indicator with manual reset	220		

### FRI850 ACCESSORIES

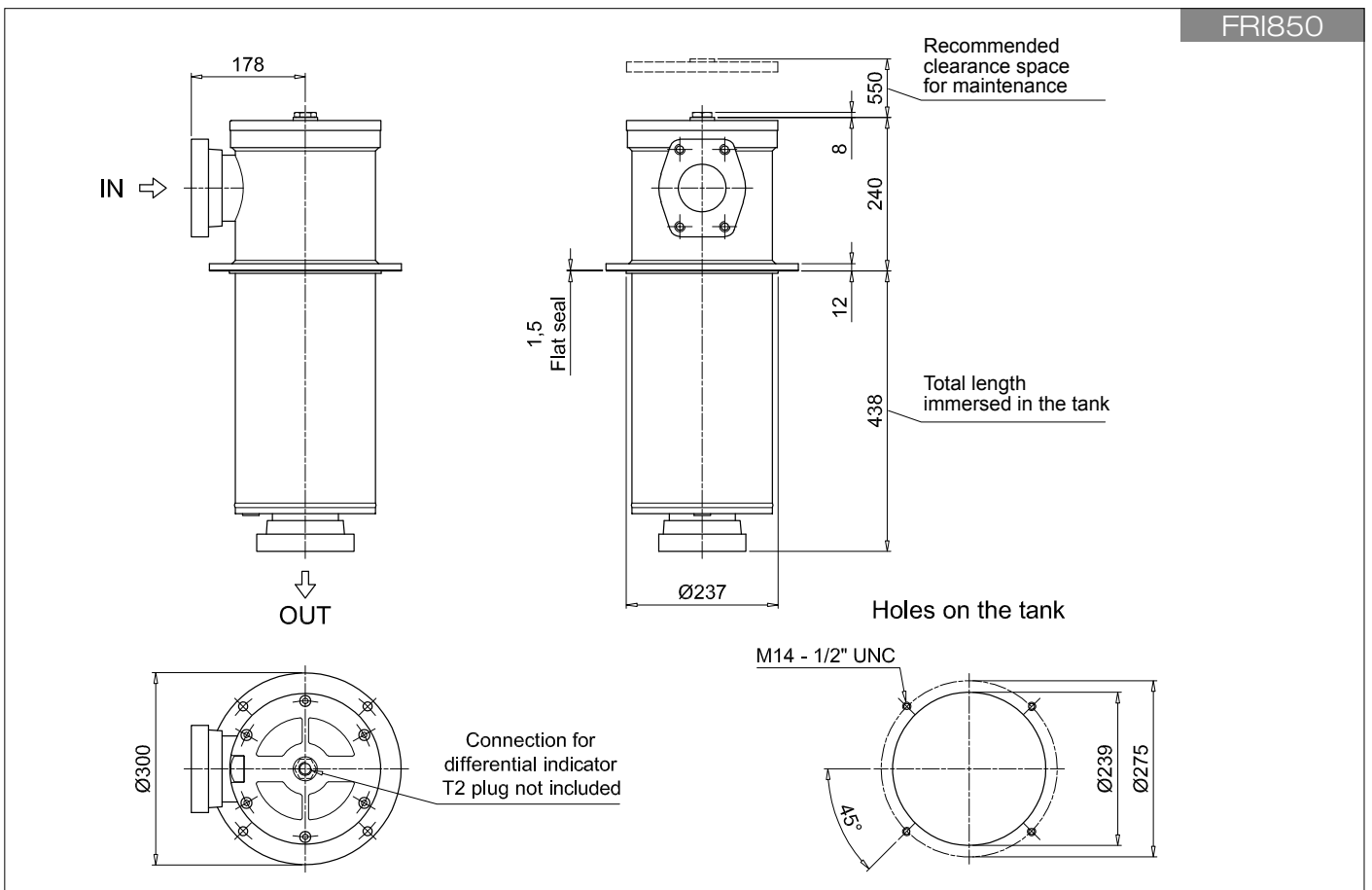
<b>Indicators</b>	page		page
<b>DEA</b> Electrical differential indicator	218	<b>DTA</b> Electronic differential indicator	221
<b>DEM</b> Electrical differential indicator	218-219	<b>DVA</b> Visual differential indicator	221
<b>DLA</b> Electrical / visual differential indicator	219-220	<b>DVM</b> Visual differential indicator	221
<b>DLE</b> Electrical / visual differential indicator	220		
<b>Additional features</b>	page		
<b>T2</b> Plug	222		



FRI255

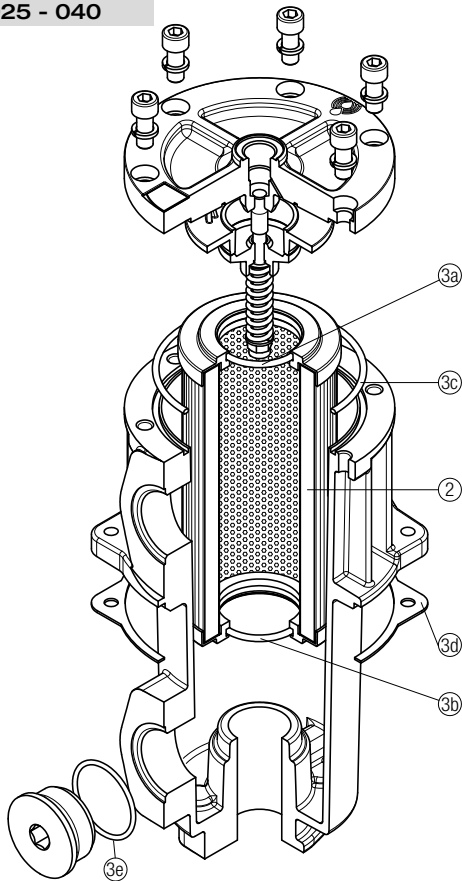


FRI850



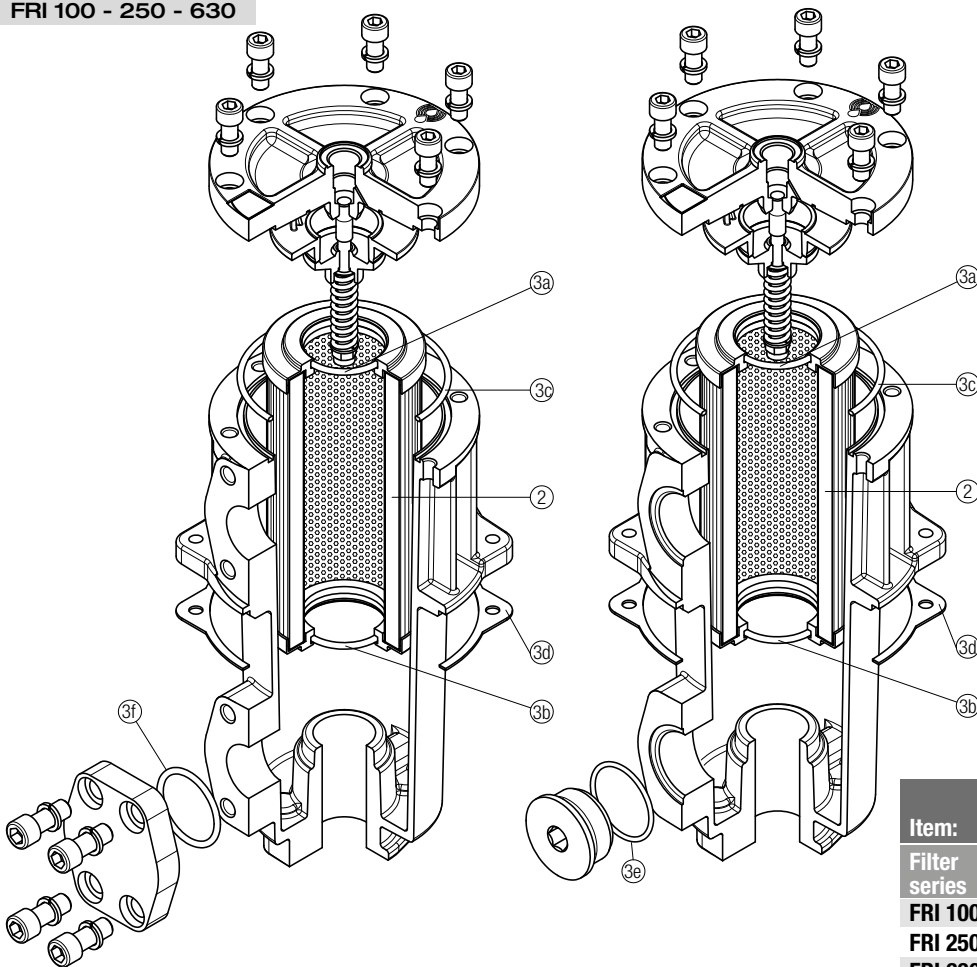
Order number for spare parts

## FRI 025 - 040



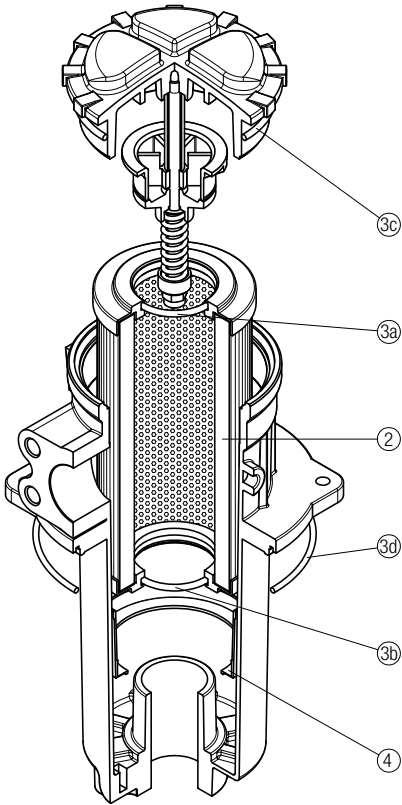
Item:	Q.ty: 1 pc.	Q.ty: 1 pc.	
	<b>2</b>	<b>3</b> (3a ÷ 3e)	
Filter series	Filter element	Seal Kit code number	
		NBR	FPM
<b>FRI 025</b>	See order table	02050213	02050220
<b>FRI 040</b>		02050214	02050221

## FRI 100 - 250 - 630



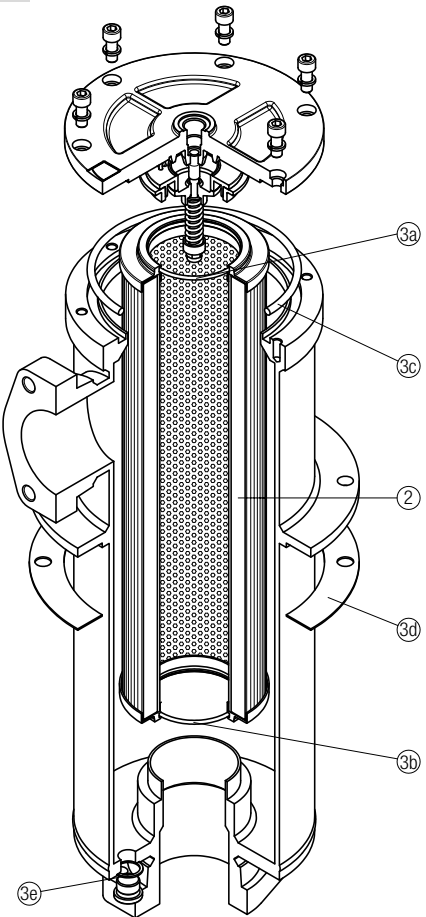
Item:	Q.ty: 1 pc.	Q.ty: 1 pc.	
	<b>2</b>	<b>3</b> (3a ÷ 3f)	
Filter series	Filter element	Seal Kit code number	
		NBR	FPM
<b>FRI 100</b>	See order table	02050215	02050222
<b>FRI 250</b>		02050216	02050223
<b>FRI 630</b>		02050217	02050224

FRI 255



Item:	Q.ty: 1 pc.	Q.ty: 1 pc.	Q.ty: 1 pc.
	<b>2</b>	<b>3</b> (3a ÷ 3d)	<b>4</b>
Filter series	Filter element	Seal Kit code number	
	See order table	NBR	FPM
<b>FRI 255</b>		02050013	02050014
		Contamination retainer binder	
		01060301	

FRI 850



Item:	Q.ty: 1 pc.	Q.ty: 1 pc.
	<b>2</b>	<b>3</b> (3a ÷ 3e)
Filter series	Filter element	Seal Kit code number
	See order table	NBR
<b>FRI 850</b>		02050218
		FPM
		02050225