

AC Axial Fan 120×120×38 Series
AC Axial Fan 135×135×40 Series



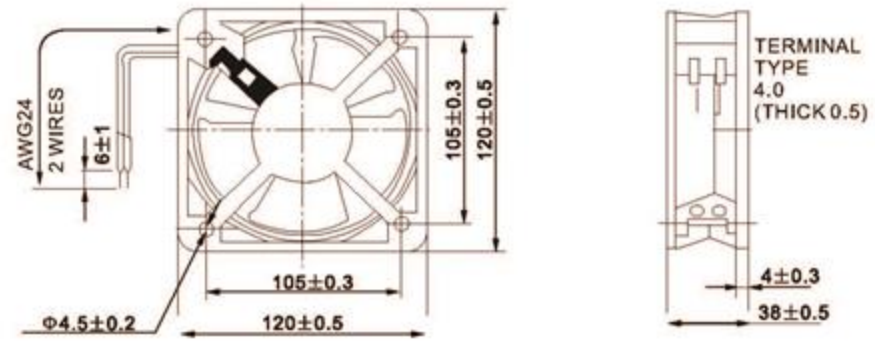
IEC/EN60034-1:2010

Technical parameter

Dimension (mm)	Model	Voltage (VAC)	Frequency (Hz)	Current (AMP)	Power (Watts)	Speed (RPM)	Air Flow (CFM)/m ³ /min	Pressure (mmH ₂ O)	Noise (dBA)	Weight (Gram)
120X120X38	PD120S-110	110/120	50/60	0.14	18	2500	98/2.75	0.23	46.5	515
	PD120S-127	110/127	50/60	0.25	18	2500	98/2.75	0.23	46.5	515
	PD120S-220	220/240	50/60	0.08	19	2500	98/2.75	0.23	46.5	515
120X120X38	PD120B-110	110/120	50/60	0.14	18	2500	98/2.75	0.23	46.5	515
	PD120B-127	110/127	50/60	0.25	18	2500	98/2.75	0.23	46.5	515
	PD120B-220	220/240	50/60	0.08	19	2500	98/2.75	0.23	46.5	515



Outline drawing



Technical parameter

Dimension (mm)	Model	Voltage (VAC)	Frequency (Hz)	Current (AMP)	Power (Watts)	Speed (RPM)	Air Flow (CFM)/m ³ /min	Pressure (mmH ₂ O)	Noise (dBA)	Weight (Gram)
135X135X40	PD135B-110	110/120	50/60	0.36	29	2350	113/3.2	0.29	44.3	570
	PD135B-220	220/240	50/60	0.18	29	2350	113/3.2	0.29	44.3	570



Outline drawing

