



Mosaico Configuration Data

Date: 07.06.19

Designation: MP G 080 2 3 STD 80A1 CD 19 S5 VB SB KE

GETRIEBE MP

GETRIEBETYP: MP

BAUFORM: G

GETRIEBEBAUGRÖSSE: 080

UNTERSETZUNGSSTUFEN: 2

ÜBERSETZUNG: 3

WINKELSPIEL: STD

EINGANGSSEKTION: 80A1

KEYING KURBELWELLE: CD

LOCH. ANTRIEMSWELLE: 19

ART DER SERVICE: S5

EINBAULAGEN: VB

MONTAGE WELLE: SB

WELLENANORDNUNG: KE

TECHNISCHE DATEN

Mn2 Ausg.- Nennndrehm. [N/m]: 40

Ma2 ausg.max.Beschleunig. [Nm]: 80

Mp2 Ausg.Not-Halt-Drehm. [Nm]: 180

n1 Eingabegeschwindigkeit. [min-1]: 2900

n1max max.mom.Eingabege[min^{-1}]: 3500

φ S Winkelspiel STD [arcmin]: 15'

ϕ_R Winkelspiel NIEDRIG[arcmin]: 10'

C_t Torsionssteifi. [Nm/arcmin]: 7.0

R_{1max} Radialkr.Einga.zuläss[N]: N/A

R_{2max} max.rd.Kr.die Wel.wir[N]: 1300

A_{2max} max.Axia.die wel.wkr [N]: 1400

η [%]: 94

Schmiermittel: GE 46-1200

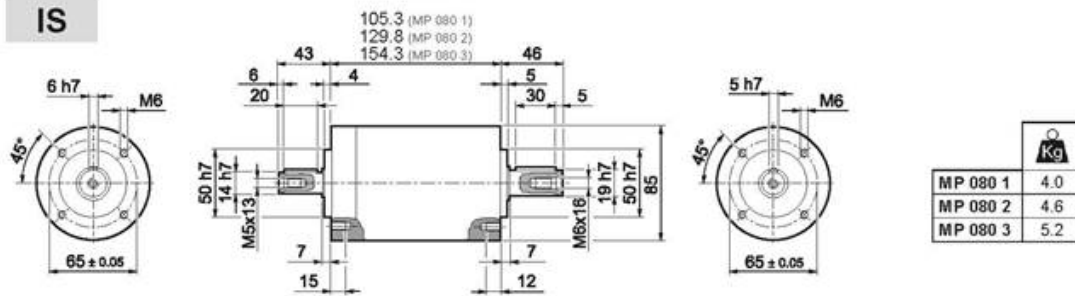
DOCUMENTATION

<http://www.bonfigliolidocslibrary.com/>

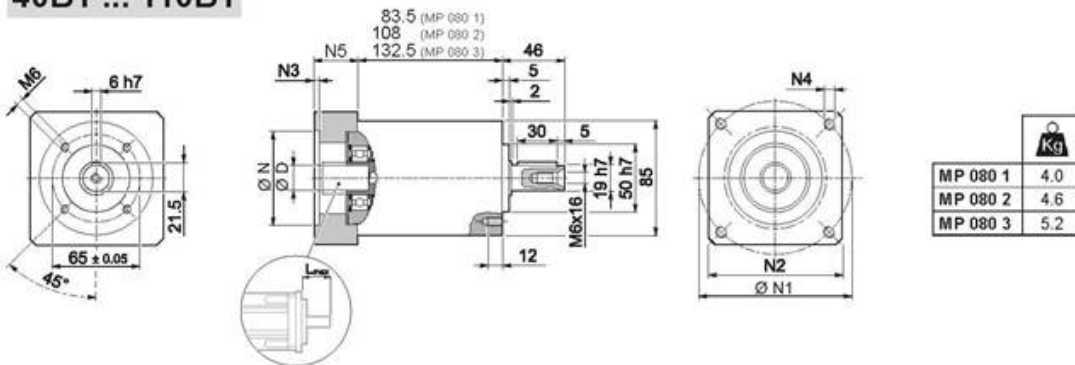
GETRIEBEBAUGRÖSSE: 080

MP 080

IS



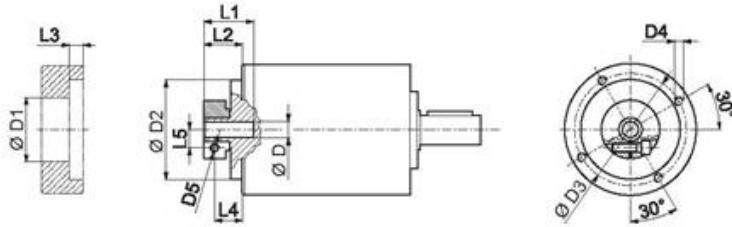
40B1 ... 110B1




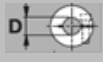
MP 080																			
Icon	D											N	N1	N2	N3	N4	N5	L _{max}	
	8	9	9.52	11	12	12.7	14	-	-	-	-								
40B1	8	9	9.52	11	12	12.7	14	-	-	-	-	40	63	80	4	M4x12	34	40	
45A	8	9	9.52	11	12	12.7	-	-	-	-	-	45	63	80	4	M4x12	34	40	
50B1	8	9	9.52	11	12	12.7	14	-	-	-	-	50	65	80	4	M5x16	34	40	
50BH1	8	9	9.52	11	12	12.7	14	-	-	-	-	50	65	80	4	5.5	34	40	
50C1	8	9	9.52	11	12	12.7	14	-	-	-	-	50	70	80	4	M4x10	34	40	
50D	8	9	9.52	11	12	12.7	14	-	-	-	-	50	95	80	4	M6x20	34	40	
55A	8	9	9.52	11	12	12.7	14	15.875	16	17	19	19.05	55.5	125.7	105	4	M6x20	34	40
60A2	8	9	9.52	11	12	12.7	14	-	-	-	-	60	75	80	4	M5x16	34	40	
60AH2	8	9	9.52	11	12	12.7	14	-	-	-	-	60	75	90	4	6.5	34	40	
60B1	8	9	9.52	11	12	12.7	14	15.875	16	-	-	60	85	80	4	M5x16	34	40	
60C1	8	9	9.52	11	12	12.7	14	15.875	16	-	-	60	90	80	4	M5x16	34	40	
70A1	8	9	9.52	11	12	12.7	14	15.875	16	17	19	19.05	70	85	80	4	M6x20	34	40
70AH1	8	9	9.52	11	12	12.7	14	15.875	16	17	19	19.05	70	85	90	4	6.5	34	40
70B1	8	9	9.52	11	12	12.7	14	15.875	16	17	19	19.05	70	90	80	4	M5x16	34	40
73A1	8	9	9.52	11	12	12.7	14	-	-	-	-	73	98.4	85	4	M5x16	34	40	
80A1	8	9	9.52	11	12	12.7	14	15.875	16	17	19	19.05	80	100	90	4	M6x16	34	40
95A	8	9	9.52	11	12	12.7	14	15.875	16	17	19	19.05	95	115	100	4	M8x20	34	40
95B	8	9	9.52	11	12	12.7	14	15.875	16	17	19	19.05	95	130	115	4	M8x20	34	40
110A	8	9	9.52	11	12	12.7	14	15.875	16	17	19	19.05	110	130	115	4	M8x20	34	40
110B	8	9	9.52	11	12	12.7	14	15.875	16	17	19	19.05	110	145	120	6.5	M8x20	44	50
110B1	8	9	9.52	11	12	12.7	14	15.875	16	17	19	19.05	110	145	120	6.5	M8x20	54	60

Please contact us for other motor adapters and input shaft bore.

FM

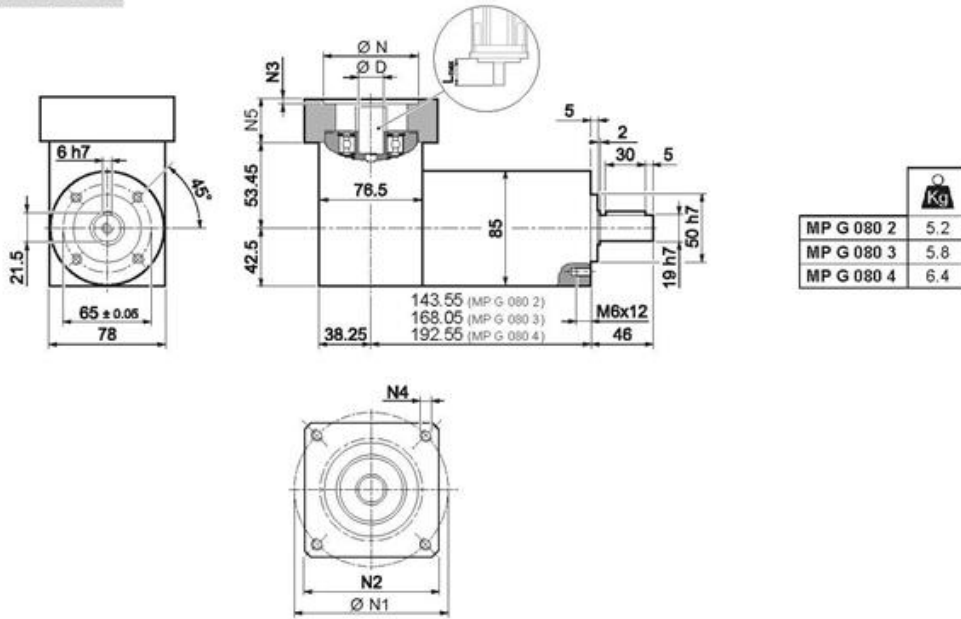




MP 080													
				D1	D2	D3	D4	D5	L1	L2	L3	L4	L5
8	9	9.52		38	68	76.5	M6x12	M6	32.2	26.3	9.5	19.3	10.5
11	12	12.7		43	68	76.5	M6x12	M6	32.2	26.3	9.5	19.3	12.5
14	15.875	16	17	48	68	76.5	M6x12	M6	32.2	26.3	9.5	19.3	14.5
19	19.05			51	68	76.5	M6x12	M6	32.2	26.3	9.5	19.3	16.5

MP 080																	
	i	M _{n2} [Nm]	M _{a2} [Nm]	M _{p2} [Nm]	n ₁ [min ⁻¹]	n _{1 max} [min ⁻¹]	φ _s [arcmin]	φ _R [arcmin]	C _t [Nm arcmin]	R _{1 max} [N]	SB		HB		η %	J [kacm ²]	
											R _{2 max} [N]	A _{2 max} [N]	R _{2 max} [N]	A _{2 max} [N]		8 ... 12.7	14 ... 19.05
																	
MP 080 1 3		40	80	180	2900	3500	15'	10'	7.0	400	1300	1400	2500	3000	97	0.50	0.59
MP 080 1 4		50	80	200	3100	4500	15'	10'	7.0	400	1300	1400	2500	3000	97	0.34	0.43
MP 080 1 5		50	80	200	3200	4500	15'	10'	7.0	400	1300	1400	2500	3000	97	0.28	0.37
MP 080 1 6		50	80	200	3200	4500	15'	10'	7.0	400	1300	1400	2500	3000	97	0.21	0.30
MP 080 1 7		50	80	200	4000	6000	15'	10'	7.0	400	1300	1400	2500	3000	97	0.23	0.32
MP 080 1 10		40	80	180	4000	6000	15'	10'	7.0	400	1300	1400	2500	3000	97	0.20	0.29
MP 080 2 9		40	80	180	2900	3500	15'	10'	5.9	400	1300	1400	2500	3000	94	0.49	0.58
MP 080 2 12		70	100	250	2900	3500	15'	10'	5.9	400	1300	1400	2500	3000	94	0.47	0.56
MP 080 2 15		70	100	250	2900	3500	15'	10'	5.9	400	1300	1400	2500	3000	94	0.46	0.55
MP 080 2 16		70	100	250	3100	4500	15'	10'	5.9	400	1300	1400	2500	3000	94	0.32	0.41
MP 080 2 20		70	100	250	3200	4500	15'	10'	5.9	400	1300	1400	2500	3000	94	0.27	0.36
MP 080 2 25		70	100	250	3200	4500	15'	10'	5.9	400	1300	1400	2500	3000	94	0.27	0.36
MP 080 2 28		70	100	250	4000	6000	15'	10'	5.9	400	1300	1400	2500	3000	94	0.22	0.31
MP 080 2 30		40	80	180	4000	6000	15'	10'	5.9	400	1300	1400	2500	3000	94	0.20	0.29
MP 080 2 35		70	100	250	4000	6000	15'	10'	5.9	400	1300	1400	2500	3000	94	0.22	0.31
MP 080 2 36		50	80	200	3200	4500	15'	10'	5.9	400	1300	1400	2500	3000	94	0.20	0.29
MP 080 2 40		70	100	250	4000	6000	15'	10'	5.9	400	1300	1400	2500	3000	94	0.20	0.29
MP 080 2 50		70	100	250	4000	6000	15'	10'	5.9	400	1300	1400	2500	3000	94	0.19	0.28
MP 080 2 70		70	100	250	4000	6000	15'	10'	5.9	400	1300	1400	2500	3000	94	0.19	0.28
MP 080 2 100		40	80	180	4000	6000	15'	10'	5.9	400	1300	1400	2500	3000	94	0.19	0.28
MP 080 3 48		70	100	250	3100	4500	17'	12'	5.4	400	1300	1400	2500	3000	91	0.33	0.42
MP 080 3 64		70	100	250	3100	4500	17'	12'	5.4	400	1300	1400	2500	3000	91	0.32	0.41
MP 080 3 75		70	100	250	3200	4500	17'	12'	5.4	400	1300	1400	2500	3000	91	0.27	0.36
MP 080 3 80		70	100	250	3100	4500	17'	12'	5.4	400	1300	1400	2500	3000	91	0.32	0.41
MP 080 3 84		70	100	250	4000	6000	17'	12'	5.4	400	1300	1400	2500	3000	91	0.23	0.32
MP 080 3 90		40	80	180	4000	6000	17'	12'	5.4	400	1300	1400	2500	3000	91	0.20	0.29
MP 080 3 120		70	100	250	4000	6000	17'	12'	5.4	400	1300	1400	2500	3000	91	0.20	0.29
MP 080 3 125		70	100	250	3200	4500	17'	12'	5.4	400	1300	1400	2500	3000	91	0.27	0.36
MP 080 3 140		70	100	250	4000	6000	17'	12'	5.4	400	1300	1400	2500	3000	91	0.22	0.31
MP 080 3 150		70	100	250	4000	6000	17'	12'	5.4	400	1300	1400	2500	3000	91	0.20	0.29
MP 080 3 160		70	100	250	4000	6000	17'	12'	5.4	400	1300	1400	2500	3000	91	0.20	0.29
MP 080 3 175		70	100	250	4000	6000	17'	12'	5.4	400	1300	1400	2500	3000	91	0.22	0.31
MP 080 3 200		70	100	250	4000	6000	17'	12'	5.4	400	1300	1400	2500	3000	91	0.20	0.29
MP 080 3 210		70	100	250	4000	6000	17'	12'	5.4	400	1300	1400	2500	3000	91	0.20	0.29
MP 080 3 216		70	100	250	3200	4500	17'	12'	5.4	400	1300	1400	2500	3000	91	0.20	0.29
MP 080 3 250		70	100	250	4000	6000	17'	12'	5.4	400	1300	1400	2500	3000	91	0.19	0.28
MP 080 3 280		70	100	250	4000	6000	17'	12'	5.4	400	1300	1400	2500	3000	91	0.19	0.28
MP 080 3 350		70	100	250	4000	6000	17'	12'	5.4	400	1300	1400	2500	3000	91	0.19	0.28
MP 080 3 400		70	100	250	4000	6000	17'	12'	5.4	400	1300	1400	2500	3000	91	0.19	0.28
MP 080 3 500		70	100	250	4000	6000	17'	12'	5.4	400	1300	1400	2500	3000	91	0.19	0.28
MP 080 3 700		70	100	250	4000	6000	17'	12'	5.4	400	1300	1400	2500	3000	91	0.19	0.28
MP 080 3 1000		40	80	180	4000	6000	17'	12'	5.4	400	1300	1400	2500	3000	91	0.19	0.28

TR G 080

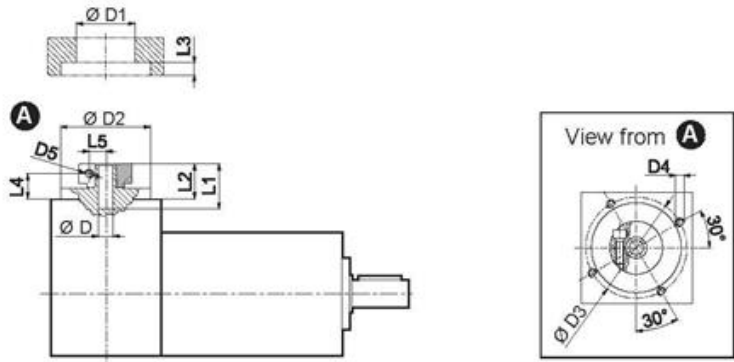
40B1 ... 110B1



MP G 080																			
												N	N1	N2	N3	N4	N5	L _{max}	
	40B1	8	9	9.52	11	12	12.7	14	-	-	-	-	-	40	63	80	4	M4x12	34
45A	8	9	9.52	11	12	12.7	-	-	-	-	-	-	45	63	80	4	M4x12	34	40
50B1	8	9	9.52	11	12	12.7	14	-	-	-	-	-	50	65	80	4	M5x16	34	40
50BH1	8	9	9.52	11	12	12.7	14	-	-	-	-	-	50	65	80	4	5.5	34	40
50C1	8	9	9.52	11	12	12.7	14	-	-	-	-	-	50	70	80	4	M4x10	34	40
50D	8	9	9.52	11	12	12.7	14	-	-	-	-	-	50	95	80	4	M6x20	34	40
55A	8	9	9.52	11	12	12.7	14	15.875	16	17	19	19.05	55.5	125.7	105	4	M6x20	34	40
60A2	8	9	9.52	11	12	12.7	14	-	-	-	-	-	60	75	80	4	M5x16	34	40
60AH2	8	9	9.52	11	12	12.7	14	-	-	-	-	-	60	75	90	4	6.5	34	40
60B1	8	9	9.52	11	12	12.7	14	15.875	16	-	-	-	60	85	80	4	M5x16	34	40
60C1	8	9	9.52	11	12	12.7	14	15.875	16	-	-	-	60	90	80	4	M5x16	34	40
70A1	8	9	9.52	11	12	12.7	14	15.875	16	17	19	19.05	70	85	80	4	M6x20	34	40
70AH1	8	9	9.52	11	12	12.7	14	15.875	16	17	19	19.05	70	85	90	4	6.5	34	40
70B1	8	9	9.52	11	12	12.7	14	15.875	16	17	19	19.05	70	90	80	4	M5x16	34	40
73A1	8	9	9.52	11	12	12.7	14	-	-	-	-	-	73	98.4	85	4	M5x16	34	40
80A1	8	9	9.52	11	12	12.7	14	15.875	16	17	19	19.05	80	100	90	4	M6x16	34	40
95A	8	9	9.52	11	12	12.7	14	15.875	16	17	19	19.05	95	115	100	4	M8x20	34	40
95B	8	9	9.52	11	12	12.7	14	15.875	16	17	19	19.05	95	130	115	4	M8x20	34	40
110A	8	9	9.52	11	12	12.7	14	15.875	16	17	19	19.05	110	130	115	4	M8x20	34	40
110B	8	9	9.52	11	12	12.7	14	15.875	16	17	19	19.05	110	145	120	6.5	M8x20	44	50
110B1	8	9	9.52	11	12	12.7	14	15.875	16	17	19	19.05	110	145	120	6.5	M8x20	54	60


Please contact us for other motor adapters and input shaft bore.

FM



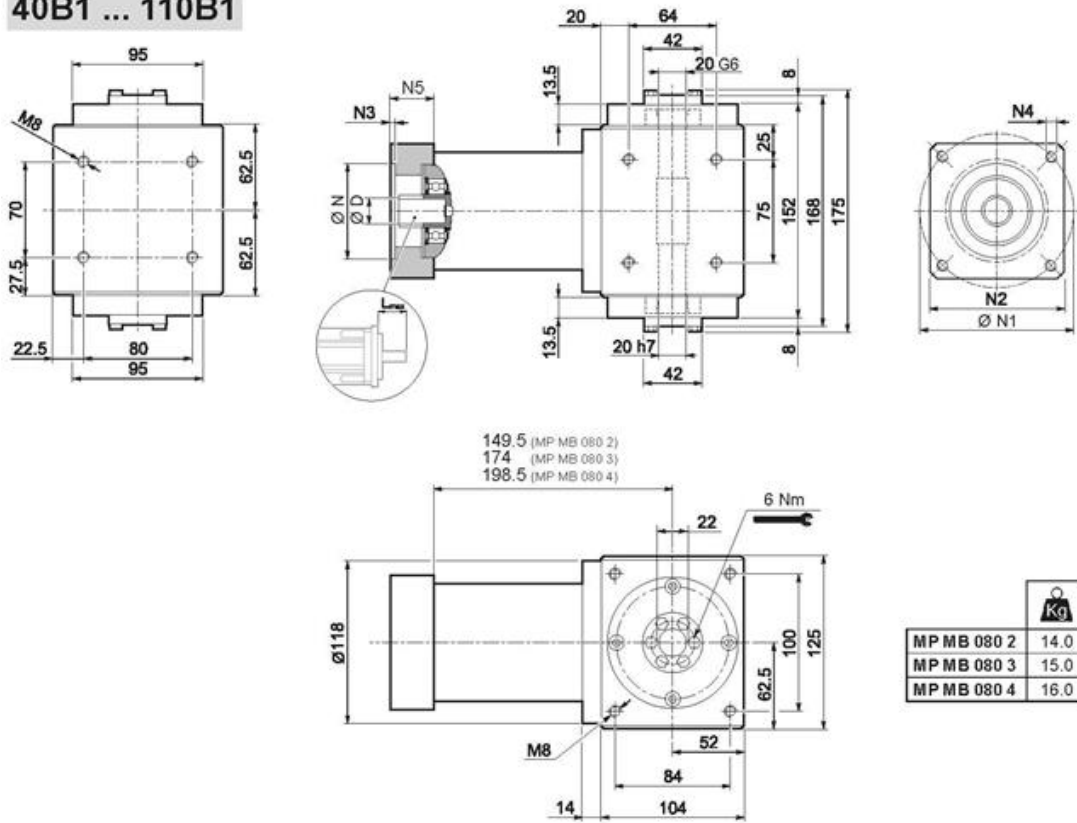
MP G 080													
				D1	D2	D3	D4	D5	L1	L2	L3	L4	L5
8	9	9.52		38	68	76.5	M6x12	M6	32.2	26.3	9.5	19.3	10.5
11	12	12.7		43	68	76.5	M6x12	M6	32.2	26.3	9.5	19.3	12.5
14	15.875	16	17	48	68	76.5	M6x12	M6	32.2	26.3	9.5	19.3	14.5
19	19.05			51	68	76.5	M6x12	M6	32.2	26.3	9.5	19.3	16.5

MP G 080

		M _{n2}	M _{a2}	M _{p2}	n ₁	n _{1 max}	Φ _S	Φ _R	C _t Nm [arcmin]	SB		HB		η	J [kacm ²]	
										R _{2 max}	A _{2 max}	R _{2 max}	A _{2 max}		8 ... 12.7	14 ... 19.05
i		[Nm]	[Nm]	[Nm]	[min ⁻¹]	[min ⁻¹]	[arcmin]			[N]	[N]	[N]	[N]	%		
MP G 080 2 3		40	80	180	2900	3500	15'	10'	7.0	1300	1400	2500	3000	94	0.67	0.79
MP G 080 2 4		50	80	200	3100	4500	15'	10'	7.0	1300	1400	2500	3000	94	0.62	0.75
MP G 080 2 5		50	80	200	3200	4500	15'	10'	7.0	1300	1400	2500	3000	94	0.61	0.74
MP G 080 2 6		50	80	200	3200	4500	15'	10'	7.0	1300	1400	2500	3000	94	0.58	0.71
MP G 080 2 7		50	80	200	4000	6000	15'	10'	7.0	1300	1400	2500	3000	94	0.60	0.73
MP G 080 2 10		40	80	180	4000	6000	15'	10'	7.0	1300	1400	2500	3000	94	0.60	0.72
MP G 080 3 9		40	80	180	2900	3500	15'	10'	5.9	1300	1400	2500	3000	91	0.66	0.78
MP G 080 3 12		70	100	250	2900	3500	15'	10'	5.9	1300	1400	2500	3000	91	0.75	0.87
MP G 080 3 15		70	100	250	2900	3500	15'	10'	5.9	1300	1400	2500	3000	91	0.74	0.87
MP G 080 3 16		70	100	250	3100	4500	15'	10'	5.9	1300	1400	2500	3000	91	0.60	0.73
MP G 080 3 20		70	100	250	3200	4500	15'	10'	5.9	1300	1400	2500	3000	91	0.60	0.73
MP G 080 3 25		70	100	250	3200	4500	15'	10'	5.9	1300	1400	2500	3000	91	0.64	0.76
MP G 080 3 28		70	100	250	4000	6000	15'	10'	5.9	1300	1400	2500	3000	91	0.59	0.72
MP G 080 3 30		40	80	180	4000	6000	15'	10'	5.9	1300	1400	2500	3000	91	0.60	0.72
MP G 080 3 35		70	100	250	4000	6000	15'	10'	5.9	1300	1400	2500	3000	91	0.61	0.74
MP G 080 3 36		50	80	200	3200	4500	15'	10'	5.9	1300	1400	2500	3000	91	0.57	0.70
MP G 080 3 40		70	100	250	4000	6000	15'	10'	5.9	1300	1400	2500	3000	91	0.60	0.72
MP G 080 3 50		70	100	250	4000	6000	15'	10'	5.9	1300	1400	2500	3000	91	0.59	0.71
MP G 080 3 70		70	100	250	4000	6000	15'	10'	5.9	1300	1400	2500	3000	91	0.59	0.71
MP G 080 3 100		40	80	180	4000	6000	15'	10'	5.9	1300	1400	2500	3000	91	0.59	0.71
MP G 080 4 48		70	100	250	3100	4500	17'	12'	5.4	1300	1400	2500	3000	89	0.61	0.75
MP G 080 4 64		70	100	250	3100	4500	17'	12'	5.4	1300	1400	2500	3000	89	0.60	0.73
MP G 080 4 75		70	100	250	3200	4500	17'	12'	5.4	1300	1400	2500	3000	89	0.60	0.73
MP G 080 4 80		70	100	250	3100	4500	17'	12'	5.4	1300	1400	2500	3000	89	0.60	0.73
MP G 080 4 84		70	100	250	4000	6000	17'	12'	5.4	1300	1400	2500	3000	89	0.60	0.73
MP G 080 4 90		40	80	180	4000	6000	17'	12'	5.4	1300	1400	2500	3000	89	0.60	0.72
MP G 080 4 120		70	100	250	4000	6000	17'	12'	5.4	1300	1400	2500	3000	89	0.60	0.72
MP G 080 4 125		70	100	250	3200	4500	17'	12'	5.4	1300	1400	2500	3000	89	0.60	0.73
MP G 080 4 140		70	100	250	4000	6000	17'	12'	5.4	1300	1400	2500	3000	89	0.59	0.72
MP G 080 4 150		70	100	250	4000	6000	17'	12'	5.4	1300	1400	2500	3000	89	0.60	0.72
MP G 080 4 160		70	100	250	4000	6000	17'	12'	5.4	1300	1400	2500	3000	89	0.60	0.72
MP G 080 4 175		70	100	250	4000	6000	17'	12'	5.4	1300	1400	2500	3000	89	0.59	0.72
MP G 080 4 200		70	100	250	4000	6000	17'	12'	5.4	1300	1400	2500	3000	89	0.60	0.72
MP G 080 4 210		70	100	250	4000	6000	17'	12'	5.4	1300	1400	2500	3000	89	0.60	0.72
MP G 080 4 216		70	100	250	3200	4500	17'	12'	5.4	1300	1400	2500	3000	89	0.57	0.70
MP G 080 4 250		70	100	250	4000	6000	17'	12'	5.4	1300	1400	2500	3000	89	0.59	0.71
MP G 080 4 280		70	100	250	4000	6000	17'	12'	5.4	1300	1400	2500	3000	89	0.59	0.71
MP G 080 4 350		70	100	250	4000	6000	17'	12'	5.4	1300	1400	2500	3000	89	0.59	0.71
MP G 080 4 400		70	100	250	4000	6000	17'	12'	5.4	1300	1400	2500	3000	89	0.59	0.71
MP G 080 4 500		70	100	250	4000	6000	17'	12'	5.4	1300	1400	2500	3000	89	0.59	0.71
MP G 080 4 700		70	100	250	4000	6000	17'	12'	5.4	1300	1400	2500	3000	89	0.59	0.71
MP G 080 4 1000		40	80	180	4000	6000	17'	12'	5.4	1300	1400	2500	3000	89	0.59	0.71

TR MB 080

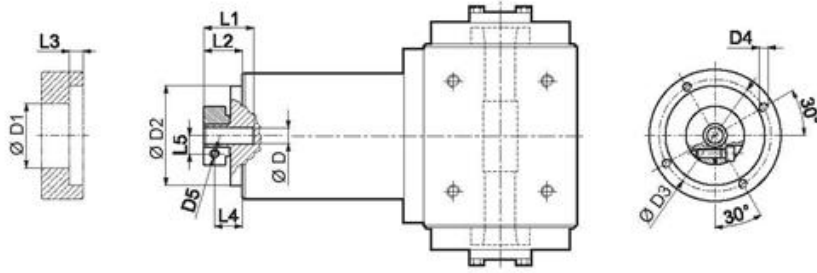
40B1 ... 110B1



MP MB 080																			
Icon	D											N	N1	N2	N3	N4	N5	L _{max}	
	8	9	9.52	11	12	12.7	14	-	-	-	-								
40B1	8	9	9.52	11	12	12.7	14	-	-	-	-	40	63	80	4	M4x12	34	40	
45A	8	9	9.52	11	12	12.7	-	-	-	-	-	45	63	80	4	M4x12	34	40	
50B1	8	9	9.52	11	12	12.7	14	-	-	-	-	50	65	80	4	M5x16	34	40	
50BH1	8	9	9.52	11	12	12.7	14	-	-	-	-	50	65	80	4	5.5	34	40	
50C1	8	9	9.52	11	12	12.7	14	-	-	-	-	50	70	80	4	M4x10	34	40	
50D	8	9	9.52	11	12	12.7	14	-	-	-	-	50	95	80	4	M6x20	34	40	
55A	8	9	9.52	11	12	12.7	14	15.875	16	17	19	19.05	55.5	125.7	105	4	M6x20	34	40
60A2	8	9	9.52	11	12	12.7	14	-	-	-	-	60	75	80	4	M5x16	34	40	
60AH2	8	9	9.52	11	12	12.7	14	-	-	-	-	60	75	90	4	6.5	34	40	
60B1	8	9	9.52	11	12	12.7	14	15.875	16	-	-	60	85	80	4	M5x16	34	40	
60C1	8	9	9.52	11	12	12.7	14	15.875	16	-	-	60	90	80	4	M5x16	34	40	
70A1	8	9	9.52	11	12	12.7	14	15.875	16	17	19	19.05	70	85	80	4	M6x20	34	40
70AH1	8	9	9.52	11	12	12.7	14	15.875	16	17	19	19.05	70	85	90	4	6.5	34	40
70B1	8	9	9.52	11	12	12.7	14	15.875	16	17	19	19.05	70	90	80	4	M5x16	34	40
73A1	8	9	9.52	11	12	12.7	14	-	-	-	-	73	98.4	85	4	M5x16	34	40	
80A1	8	9	9.52	11	12	12.7	14	15.875	16	17	19	19.05	80	100	90	4	M6x16	34	40
95A	8	9	9.52	11	12	12.7	14	15.875	16	17	19	19.05	95	115	100	4	M8x20	34	40
95B	8	9	9.52	11	12	12.7	14	15.875	16	17	19	19.05	95	130	115	4	M8x20	34	40
110A	8	9	9.52	11	12	12.7	14	15.875	16	17	19	19.05	110	130	115	4	M8x20	34	40
110B	8	9	9.52	11	12	12.7	14	15.875	16	17	19	19.05	110	145	120	6.5	M8x20	44	50
110B1	8	9	9.52	11	12	12.7	14	15.875	16	17	19	19.05	110	145	120	6.5	M8x20	54	60

Please contact us for other motor adapters and input shaft bore.



FM



MP MB 080

			D1	D2	D3	D4	D5	L1	L2	L3	L4	L5	
8	9	9.52	38	68	76.5	M6x12	M6	32.2	26.3	9.5	19.3	10.5	
11	12	12.7	43	68	76.5	M6x12	M6	32.2	26.3	9.5	19.3	12.5	
14	15.875	16	17	48	68	76.5	M6x12	M6	32.2	26.3	9.5	19.3	14.5
19	19.05			51	68	76.5	M6x12	M6	32.2	26.3	9.5	19.3	16.5

MP MB 080

		M _{n2}	M _{a2}	M _{p2}	n ₁	n _{1 max}	φ _s	φ _R	C _t	η	J _r [kgcm ²]	
											[Nm]	[Nm]
i												
MP MB 080 2 3	40	80	180	2900	3500	15'	10'	7.0	94	0.50	0.59	
MP MB 080 2 4	50	80	200	3100	4500	15'	10'	7.0	94	0.34	0.43	
MP MB 080 2 5	50	80	200	3200	4500	15'	10'	7.0	94	0.28	0.37	
MP MB 080 2 6	50	80	200	3200	4500	15'	10'	7.0	94	0.21	0.30	
MP MB 080 2 7	50	80	200	4000	6000	15'	10'	7.0	94	0.23	0.32	
MP MB 080 2 10	40	80	180	4000	6000	15'	10'	7.0	94	0.20	0.29	
MP MB 080 3 9	40	80	180	2900	3500	15'	10'	5.9	91	0.49	0.58	
MP MB 080 3 12	70	100	250	2900	3500	15'	10'	5.9	91	0.47	0.56	
MP MB 080 3 15	70	100	250	2900	3500	15'	10'	5.9	91	0.46	0.55	
MP MB 080 3 16	70	100	250	3100	4500	15'	10'	5.9	91	0.32	0.41	
MP MB 080 3 20	70	100	250	3200	4500	15'	10'	5.9	91	0.27	0.36	
MP MB 080 3 25	70	100	250	3200	4500	15'	10'	5.9	91	0.27	0.36	
MP MB 080 3 28	70	100	250	4000	6000	15'	10'	5.9	91	0.22	0.31	
MP MB 080 3 30	40	80	180	4000	6000	15'	10'	5.9	91	0.20	0.29	
MP MB 080 3 35	70	100	250	4000	6000	15'	10'	5.9	91	0.22	0.31	
MP MB 080 3 36	50	80	200	3200	4500	15'	10'	5.9	91	0.20	0.29	
MP MB 080 3 40	70	100	250	4000	6000	15'	10'	5.9	91	0.20	0.29	
MP MB 080 3 50	70	100	250	4000	6000	15'	10'	5.9	91	0.19	0.28	
MP MB 080 3 70	70	100	250	4000	6000	15'	10'	5.9	91	0.19	0.28	
MP MB 080 3 100	40	80	180	4000	6000	15'	10'	5.9	91	0.19	0.28	
MP MB 080 4 48	70	100	250	3100	4500	17'	12'	5.4	89	0.33	0.42	
MP MB 080 4 64	70	100	250	3100	4500	17'	12'	5.4	89	0.32	0.41	
MP MB 080 4 75	70	100	250	3200	4500	17'	12'	5.4	89	0.27	0.36	
MP MB 080 4 80	70	100	250	3100	4500	17'	12'	5.4	89	0.32	0.41	
MP MB 080 4 84	70	100	250	4000	6000	17'	12'	5.4	89	0.23	0.32	
MP MB 080 4 90	40	80	180	4000	6000	17'	12'	5.4	89	0.20	0.29	
MP MB 080 4 120	70	100	250	4000	6000	17'	12'	5.4	89	0.20	0.29	
MP MB 080 4 125	70	100	250	3200	4500	17'	12'	5.4	89	0.27	0.36	
MP MB 080 4 140	70	100	250	4000	6000	17'	12'	5.4	89	0.22	0.31	
MP MB 080 4 150	70	100	250	4000	6000	17'	12'	5.4	89	0.20	0.29	
MP MB 080 4 160	70	100	250	4000	6000	17'	12'	5.4	89	0.20	0.29	
MP MB 080 4 175	70	100	250	4000	6000	17'	12'	5.4	89	0.22	0.31	
MP MB 080 4 200	70	100	250	4000	6000	17'	12'	5.4	89	0.20	0.29	
MP MB 080 4 210	70	100	250	4000	6000	17'	12'	5.4	89	0.20	0.29	
MP MB 080 4 216	70	100	250	3200	4500	17'	12'	5.4	89	0.20	0.29	
MP MB 080 4 250	70	100	250	4000	6000	17'	12'	5.4	89	0.19	0.28	
MP MB 080 4 280	70	100	250	4000	6000	17'	12'	5.4	89	0.19	0.28	
MP MB 080 4 350	70	100	250	4000	6000	17'	12'	5.4	89	0.19	0.28	
MP MB 080 4 400	70	100	250	4000	6000	17'	12'	5.4	89	0.19	0.28	
MP MB 080 4 500	70	100	250	4000	6000	17'	12'	5.4	89	0.19	0.28	
MP MB 080 4 700	70	100	250	4000	6000	17'	12'	5.4	89	0.19	0.28	
MP MB 080 4 1000	40	80	180	4000	6000	17'	12'	5.4	89	0.19	0.28	