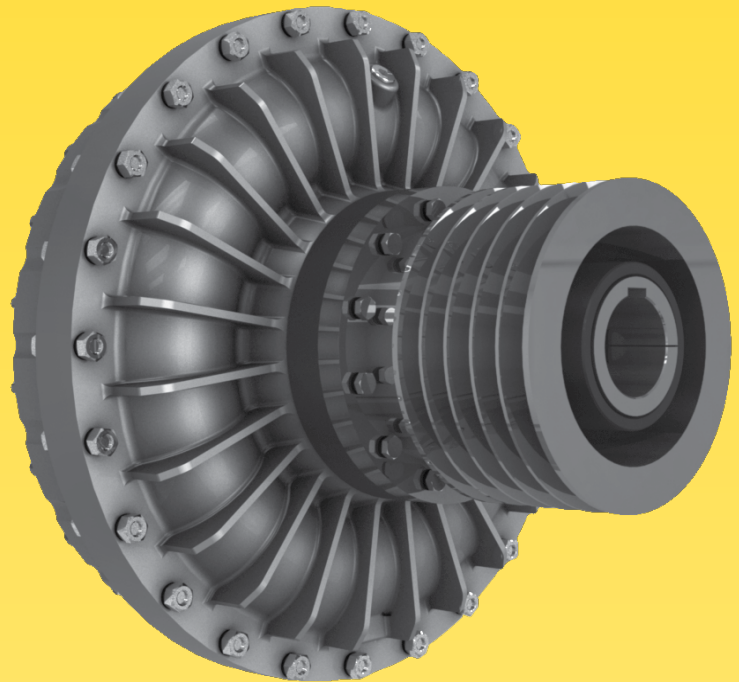


TRANSFLUID



TRANSFLUID

trasmissioni industriali



drive with us

K - CK - CCK
FLUID COUPLINGS

DESCRIPTION	pag.	2
PERFORMANCE CURVES		3
STARTING TORQUE CHARACTERISTICS		4
ADVANTAGES		5
STANDARD OR REVERSE MOUNTING		6
PRODUCTION PROGRAM		7 ÷ 8
SPECIAL VERSION (ATEX)		8
SELECTION		9 ÷ 12
DIMENSIONS (IN LINE VERSION)		13 ÷ 23
CENTER OF GRAVITY AND MOMENT OF INERTIA		24
DIMENSIONS (PULLEY VERSIONS)		25 ÷ 26
SAFETY DEVICES		27 ÷ 29
OTHER TRANSFLUID PRODUCTS		30
SALES NETWORK		

1. DESCRIPTION

The TRANSFLUID coupling (K series) is a constant fill type, comprising of three main elements:

- 1 - driving impeller (pump) mounted on the input shaft.
- 2 - driven impeller (turbine) mounted on the output shaft.
- 3 - cover, flanged to the outer impeller, with an oil-tight seal.

The first two elements can work both as pump or turbine.

2. OPERATING CONDITIONS

The TRANSFLUID coupling is a hydrodynamic transmission. The impellers perform like a centrifugal pump and a hydraulic turbine. With an input drive to the pump (e.g. electric motor or Diesel engine) kinetic energy is transferred to the oil in the coupling. The oil is forced, by centrifugal force, across the blades of the pump towards the outside of the coupling.

The turbine absorbs kinetic energy and generates a torque always equal to input torque, thus causing rotation of the output shaft. Since there are no mechanical connections, the wear is practically zero.

The efficiency is influenced only by the speed difference (slip) between pump and turbine.

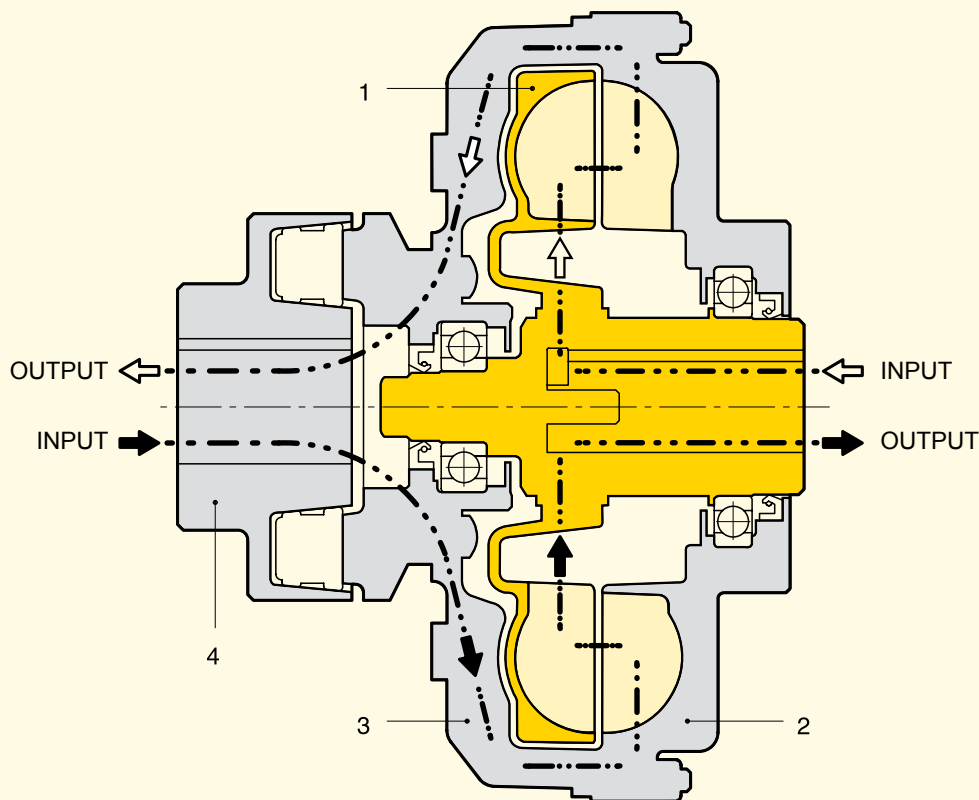
The slip is essential for the correct operation of the coupling - there could not be torque transmission without slip! The formula for slip, from which the power loss can be deduced is as follows:

$$\text{Slip \%} = \frac{\text{input speed} - \text{output speed}}{\text{input speed}} \times 100$$

In normal conditions (standard duty), slip can vary from 1,5% (large power applications) to 6% (small power applications).

TRANSFLUID couplings follow the laws of all centrifugal machines:

- 1 - transmitted torque is proportional to the square of input speed;
- 2 - transmitted power is proportional to the third power of input speed;
- 3 - transmitted power is proportional to the fifth power of circuit outside diameter.



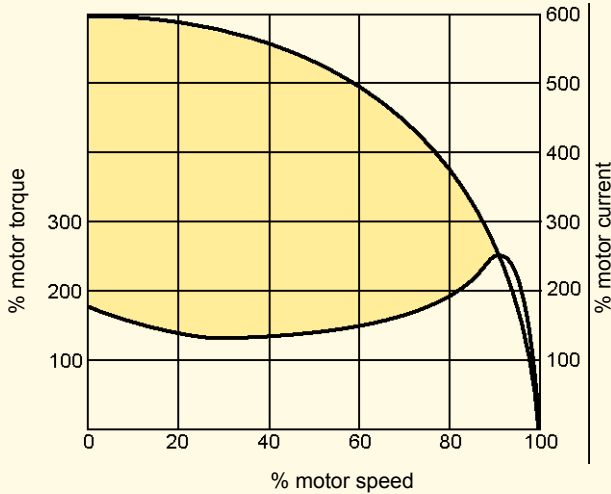
- 1 - INNER IMPELLER
- 2 - OUTER IMPELLER
- 3 - COVER
- 4 - FLEX COUPLING

PERFORMANCE CURVES

2.1 Transfluid coupling fitted on electric motors

Three phase asynchronous squirrel cage motors are able to supply maximum torque only, near synchronous speed. Direct starting is the system utilized the most. Figure 1 illustrates the relationship between torque and current. It can be seen that the absorbed current is proportional to the torque only between 85% and 100% of the asynchronous speed.

Fig.1



Any drive system using a Transfluid fluid coupling has the advantage of the motor starting essentially without load. Figure 2 compares the current demands of an electric motor when the load is directly attached versus the demand when a fluid coupling is mounted between the motor and load. The coloured area shows the energy that is lost, as heat, during start-up when a fluid coupling is not used. A Transfluid fluid coupling reduces the motor's current peak during start-up and also reduces the current losses, increasing the lifetime of electric motors. Also at start-up, a fluid coupling allows more torque to pass to the load for acceleration than in drive systems without a fluid coupling.

With a motor connected directly to the load there are the following disadvantages:

- The difference between available torque and the torque required by the load is very low until the rotor has accelerated to between 80-85% of the synchronous speed.
- The absorbed current is high (up to 6 times the nominal current) throughout the starting phase causing overheating of the windings, overloads in the electrical lines and, in cases of frequent starts, major production costs.
- Over-dimensioned motors caused by the limitations indicated above.

To limit the absorbed current of the motor during the acceleration of the load, a ($\lambda \Delta$) (wye - delta) starting system is frequently used which reduces the absorbed current by about 1/3 during starting. Unfortunately, during operation of the motor under the delta configuration, the available torque is also reduced by 1/3; and for machines with high inertias to accelerate, overdimensioning of the motor is still required. Finally, this system does not eliminate current peaks originating from the insertion or the commutation of the device.

Fig.2

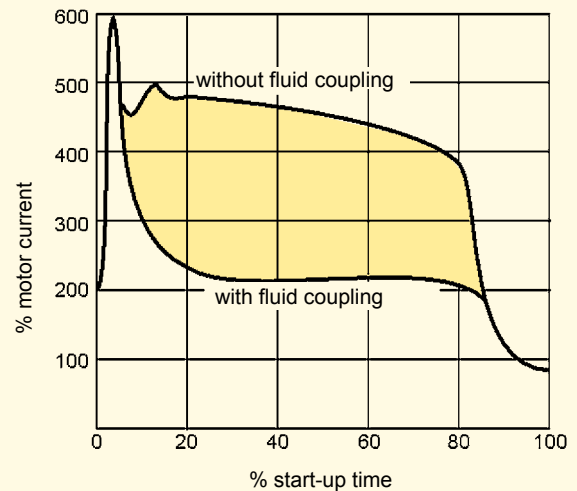


Fig.3

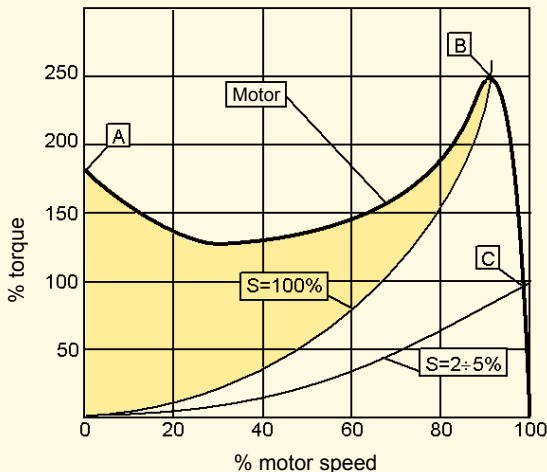
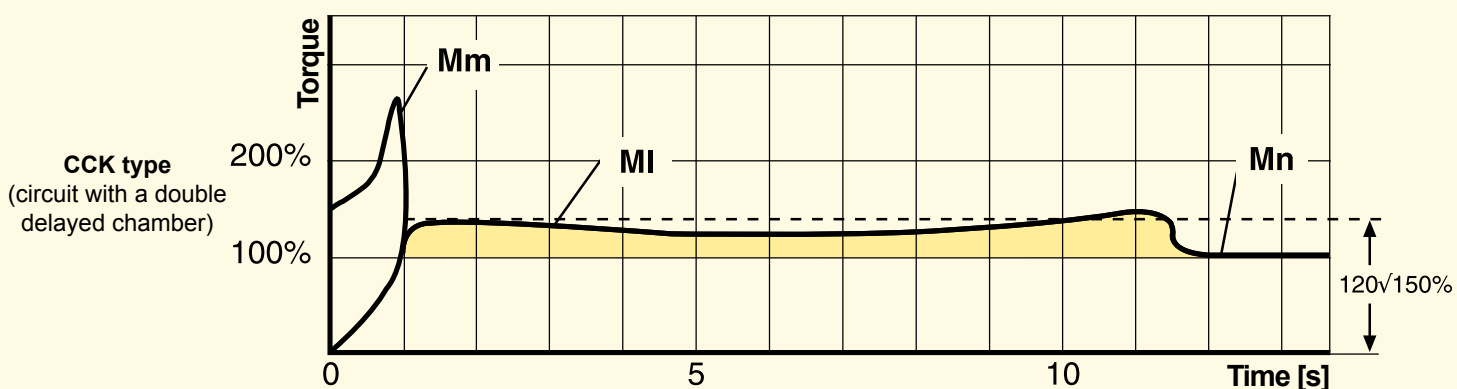
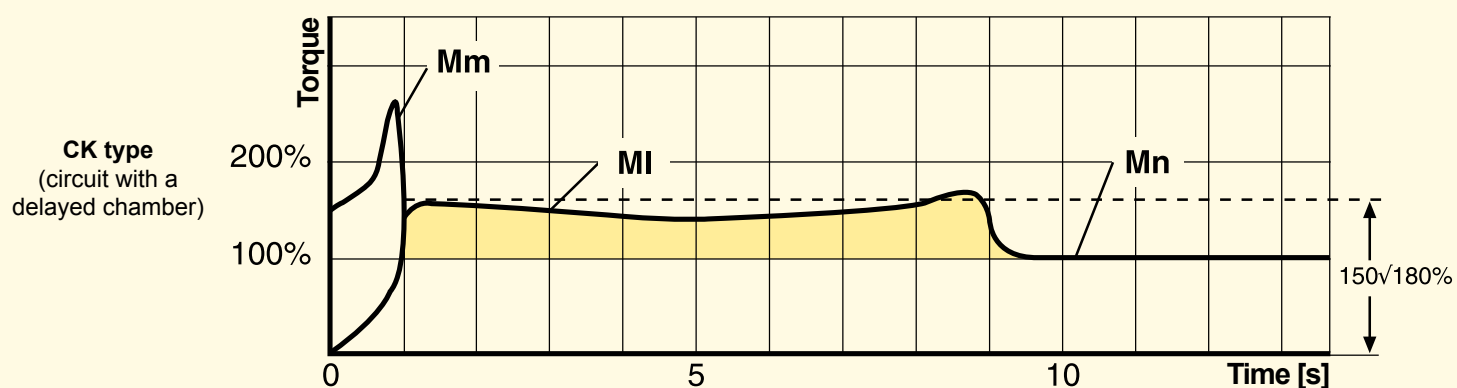
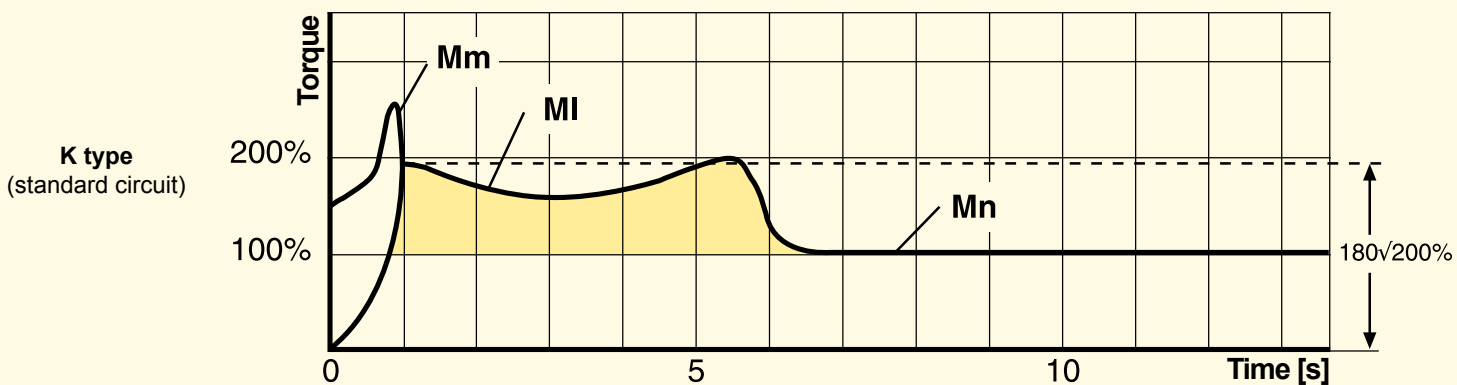


Figure 3 shows two curves for a single fluid coupling and a characteristic curve of an electric motor. It is obvious from the stall curve of the fluid coupling ($s = 100\%$) and the available motor torque, how much torque is available to accelerate the rotor of the motor (colored area). In about 1 second, the rotor of the motor accelerates passing from point A to point B. The acceleration of the load, however, is made gradually by the fluid coupling, utilizing the motor in optimal conditions, along the part of the curve between point B, 100% and point C, 2-5%. Point C is the typical point of operation during normal running.

2.2 CHARACTERISTIC CURVES

- MI : transmitted torque from fluid coupling
- Mm : starting torque of the electric motor
- Mn : nominal torque at full load
- : accelerating torque



NOTE: Above starting times are indicative only

DELAYED FILL CHAMBER ADVANTAGES

3. TRANSFLUID FLUID COUPLINGS WITH A DELAYED FILL CHAMBER

A **low starting torque** is achieved, with the standard circuit in a maximum oil fill condition because fluid couplings limit to **less than 200%** of the nominal motor torque. It is possible to limit further the starting torque **down to 160%** of the nominal torque, by decreasing oil fill: this, contrarily creates slip and working temperature increase in the fluid coupling.

The most convenient technical solution is to use fluid couplings with a **delayed fill chamber**, connected to the main circuit by **calibrated bleed orifices**. These **externally adjustable valves**, available from size **15CK** (Fig. 4b), can be simply adjusted to vary starting time.

In a standstill position, the **delayed fill chamber** contains part of the filling oil, thus reducing the effective quantity in the working circuit (Fig. 4a) and a **torque reduction** is obtained, allowing the motor to quickly reach the steady running speed **as if started without load**.

During start-up, oil flows from the **delayed fill chamber** to the main circuit (Fig. 4b) in a quantity proportional to the rotating speed.

As soon as the fluid coupling reaches the nominal speed, all oil flows into the main circuit (Fig. 4c) and torque is transmitted with a **minimum slip**.

With a **simple delayed fill chamber**, the ratio between starting and nominal torque may reach **150 %**. This ratio may be further reduced down to **120 %** with a **double delayed fill chamber**, which contains a higher oil quantity, to be progressively transferred into the main circuit during the starting phase.

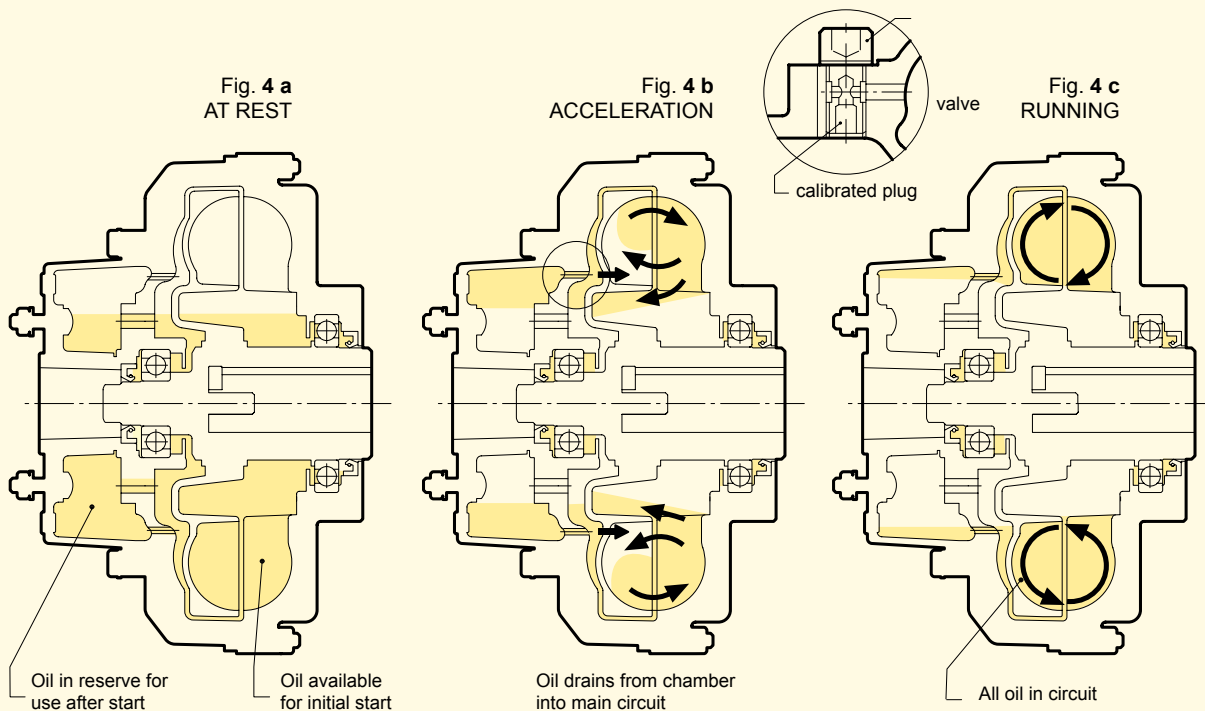
This is ideal for very smooth start-ups with low torque absorptions, as typically required for machinery with large inertia values and for belt conveyors.

The advantages of the **delayed fill chamber** become more and more evident when the power to be transmitted increases.

The **simple chamber** is available from size **11CK**, while the **double chamber** from size **15CCK**.

3.1 SUMMARY OF THE ADVANTAGES GIVEN BY FLUID COUPLINGS

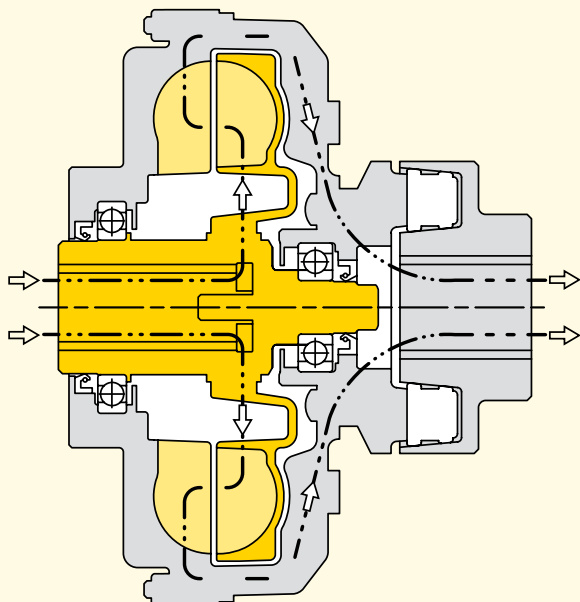
- very smooth start-ups
- reduction of current absorptions during the starting phase: the motor starts with very low load
- protection of the motor and the driven machine from jams and overloads
- utilization of asynchronous squirrel cage motors instead of special motors with soft starter devices
- higher duration and operating convenience of the whole drive train, thanks to the protection function achieved by the fluid coupling
- higher energy saving, thanks to current peak reduction
- limited starting torque down to 120% in the versions with a double delayed fill chamber
- same torque at input and output: the motor can supply the maximum torque even when load is jammed
- torsional vibration absorption for internal combustion engines, thanks to the presence of a fluid as a power transmission element
- possibility to achieve a high number of start-ups, also with an inversion of the rotation direction
- load balancing in case of a double motor drive: fluid couplings automatically adjust load speed to the motors speed
- high efficiency
- minimum maintenance
- Viton rotating seals
- cast iron and steel material with anticorrosion treatment



4. INSTALLATION

4.1 STANDARD MOUNTING

Driver **inner** impeller



Minimum possible inertia is added to the motor, and therefore free to accelerate more quickly.

During the starting phase, the outer impeller gradually reaches the steady running condition. **For very long starting times, heat dissipation capacity is lower.**

If a braking system is required, it is **convenient and easy to install a brake drum or disc** on the flex coupling.

In some cases, where the driven machine cannot be rotated by hand, **maintenance procedures of oil checking and refilling**, as well as alignment, **become more difficult.**

The delayed fill chamber, when present, is fitted on the driven side. The rotating speed of the said chamber gradually increases during start-up, thus **leading to a longer starting time**, assuming the bleed orifices diameters are not changed. **If oil quantity is excessively reduced**, the transmissible torque may be lower than the starting torque of the driven machine. In such a case, part of the oil remains inside the delayed chamber. This lack of oil in the fluid coupling may cause stalling.

The **“switching pin” device might not work correctly** on machines where, owing to irregular operating conditions, the driven side may suddenly stop or jam during the starting phase.

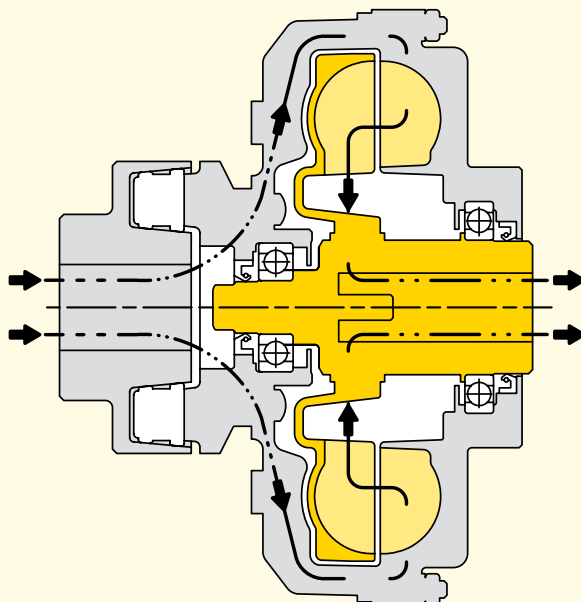
Flex coupling is protected by the placement of the fluid coupling before it, and therefore this **configuration is fit for** applications with **frequent start-ups or inversions** of the rotating sense.

If not expressly required by the customer or needed for the application being performed, the fluid coupling is supplied according to our **“standard”** mounting. **Do specify** in your request for quotation **whether you need a “reverse”** mounting.

NOTE: Starting from size **13K** and **11CK** included, a baffle ring is always fitted on the driver impeller, and therefore it is not recommended to mount a fluid coupling **“reverse”** if **“standard”** mounting, or viceversa. In these cases **contact TRANSFLUID** for more detailed information.

4.2 REVERSE MOUNTING

Driver **outer** impeller



Higher inertia directly connected to the motor.

The outer impeller, being directly connected to the motor, reaches synchronous speed instantly. **Ventilation is therefore maximum** from the beginning.

The **assembly of a brake disc or drum** on KR fluid couplings is **more difficult, expensive** and leads to a longer axial length of the whole machine group.

The outer impeller and cover are connected to the motor, **it is therefore possible to manually rotate the coupling** to check alignment and oil level, and for refilling.

The delayed fill chamber is fitted on the driver side, and reaches the synchronous speed in a few seconds.

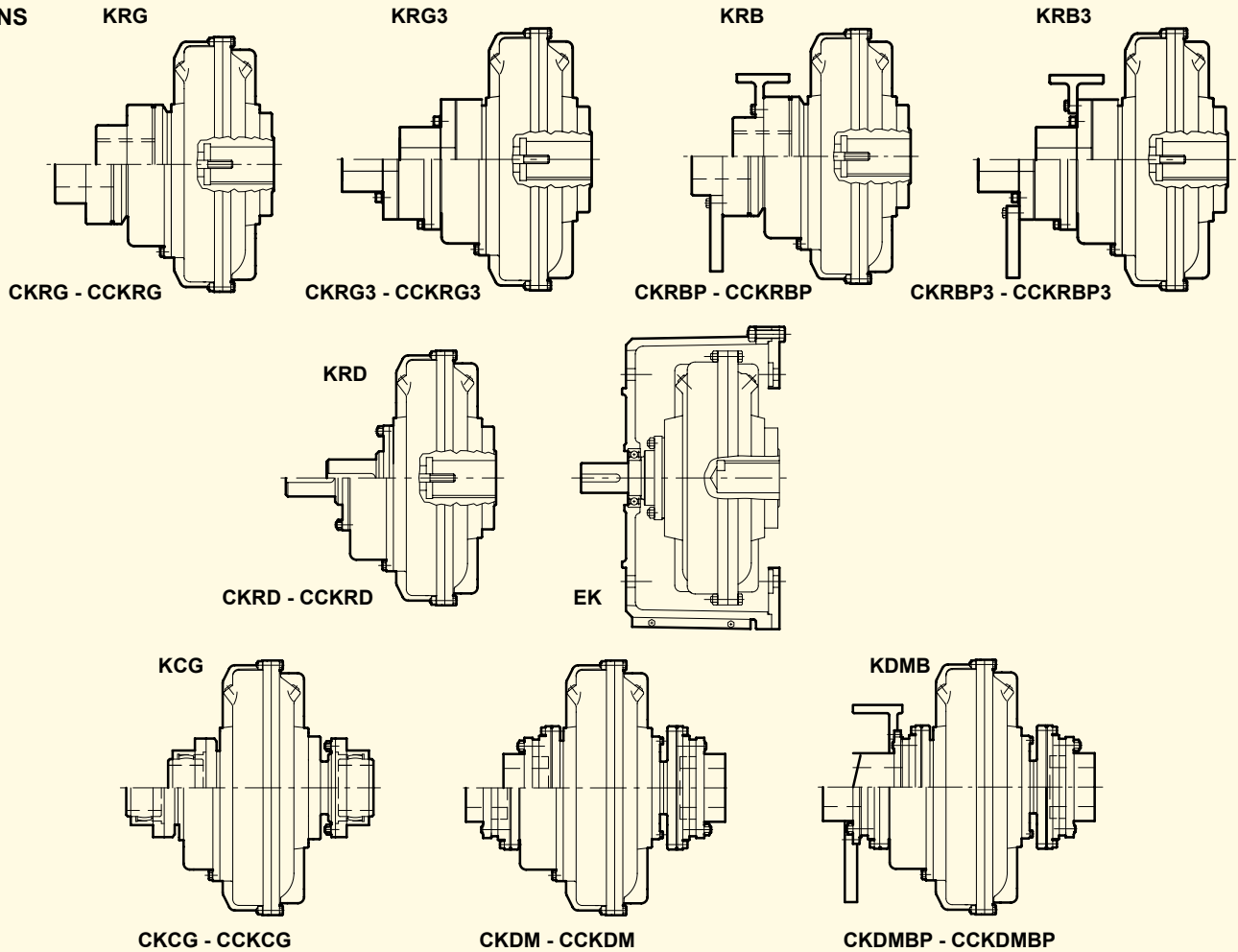
Oil is therefore centrifuged into the main circuit gradually and completely.

Starting time is adjustable by replacing the calibrated bleed orifices. **The starting phase, however is performed in a shorter time** than in the configuration with an inner driver impeller.

The **switching pin operation is always assured**, where fitted, as the outer impeller, always rotates because it is mounted on the driver shaft.

In case of frequent start-ups or inversions of the rotating direction, the **flex coupling is much more stressed.**

5. VERSIONS



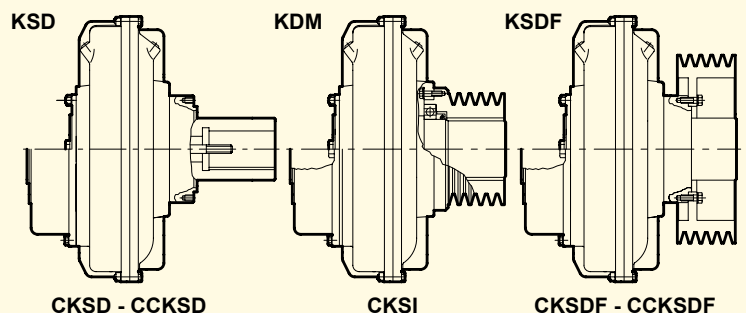
5.1 IN LINE

- KRG-CKRG-CCKRG** : coupling with elastic coupling.
- KRB-CKRB-CCKRB** : KRG version, with brake drum (...KRB) or disc (...KRBP).
- KRD-CKRD-CCKRD** : ..KR with output shaft. A flexible coupling has to be used; it is possible to place it (with a convenient housing) between the motor and a hollow shaft gearbox.
- KRG3-CKRG3-CCKRG3** : version with elastic coupling allowing removal of rubber elements without moving the machines.
- KRM-CKRM-CCKRM** : coupling with clamp type, super elastic coupling.
- EK** : fluid coupling fitted with a bell housing, to be placed between a flanged electric motor and a hollow shaft gearbox.
- KCG-CKCG-CCKCG** : fluid coupling with gear couplings, also available with brake drum (...KCGB) or disc (...KCGBP).
- KDM-CKDM-CCKDM** : fluid coupling with disc couplings, also available with brake drum (...KDMB) or disc (...KDMBP).

N.B.: The ..KCG - ..KDM versions allow a radial disassembly without moving the motor or the driven machine.

5.1 PULLEY

- KSD-CKSD-CCKSD** : basic coupling foreseen for a flanged pulley, with simple (CK..) or double (CCK..) delayed fill chamber.
- KSI-CKSI** : fluid coupling with an incorporated pulley, which is fitted from inside.
- KSDF-CKSDF-CCKS..** : KSD coupling with flanged pulley, externally mounted and therefore to be easily disassembled.



6 MOUNTING

6.1 IN LINE VERSIONS MOUNTING EXAMPLES

Fig. A Horizontal axis between the motor and the driven machine (KRG-CKRG-CCKRG and similar).

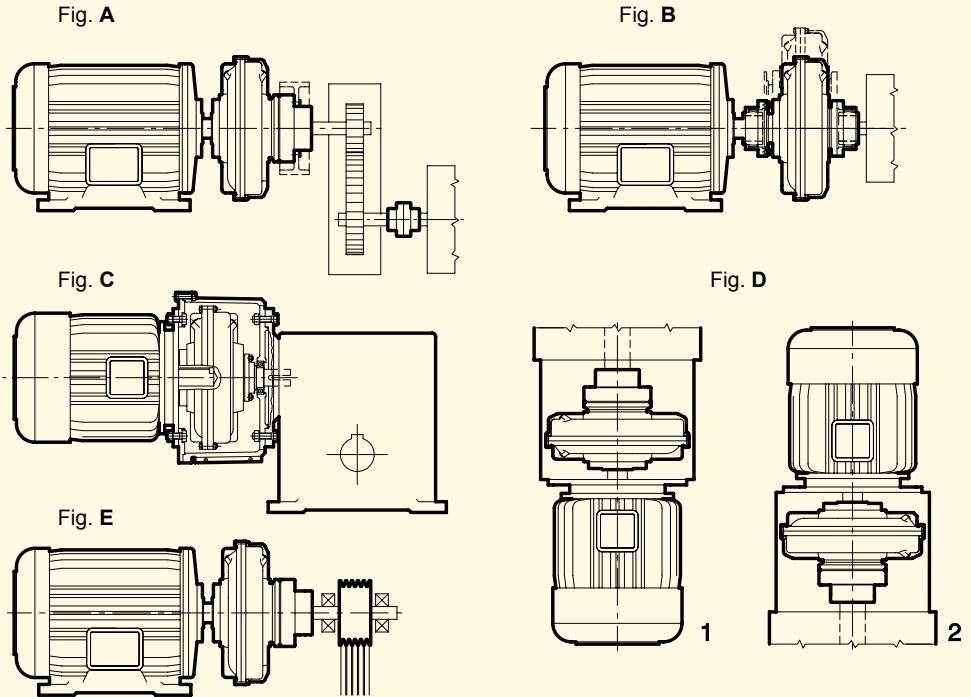
Fig. B It allows a radial disassembly without moving the motor and the driven machine (KCG-KDM and similar).

Fig. C Between a flanged electric motor and a hollow shaft gearbox by means of a bell housing (...KRD and EK).

Fig. D Vertical axis mounting between the electric motor and a gearbox or driven machine.

In case of order, please specify mounting type 1 or 2.

Fig. E Between the motor and a supported pulley for high powers and heavy radial loads.

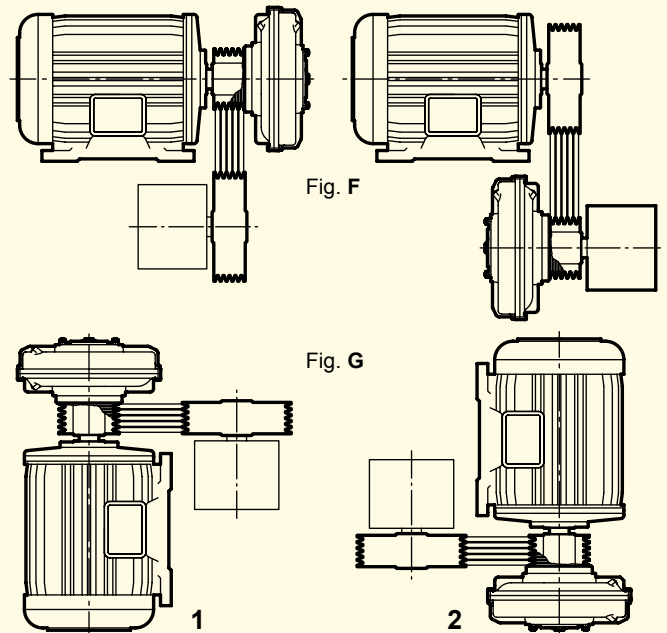


N.B. Version EK (fig. C) also for vertical mounting (fig. D 1-2)

6.2 PULLEY VERSIONS MOUNTING EXAMPLES

Fig. F Horizontal axis

Fig. G Vertical axis. **When ordering, please specify mounting tupe 1 or 2.**



7 SPECIAL VERSION

7.1 ATEX

It is possible to get the Transfluid fluid couplings with finished bores certified as equipment for intended use in hazardous zones according to directive 2014/34/EU (Atex).

The selection of suitable Atex fluid coupling must consider an additional safety factor of 1.2 times the absorbed power (for instance, motor 132 kW @ 1500 rpm-absorbed power 120 kW x 1.2 = 144 kW power to be considered in the selection).

According to different categories, there is the suitable selected fluid coupling as per below table.

Fluid coupling model	Category 3 Atex Zone 2 or 22 Ex II 3 D or GT4	Category 2 Atex Zone 1 or 21 Ex II 2 D or GT4	Category 1 M2 industrial Atex E x L M2
...KRG	•	•	•
...KCG	•	•	•
...KDM	•	•	•
...KXG	•	•	•
...KXD	•	•	•
...EK	•	•	•
...KBM	•	•	•
...KSD	•	•	•
Fluid fill	Oil or Treated water	Fire resistant oil Treated water	Treated water only

In case of inquiry for Atex fluid coupling, you have to apply Transfluid providing the application form TF 6413 duly filled up. About KXG and KXD couplings, please refer to catalogue 160 GB.

7.2 WATER FILL FLUID COUPLING

Transfluid has developed a version of water fill fluid coupling in order to meet the demands of environment friendly products as well as couplings suitable for working in hazardous zone and underground mines.

The water to be used is a mixture of water and glycole. The water fill couplings are available upon request on all design from size 13 upwards; they have the same overall dimensions of standard couplings series. **A suffix "W" identifies the coupling suitable for treated water operation (e.g. 27 CKRGW)**

7.3 LOW TEMPERATURE (below -20°C)

- KDM - KCG - Special bearings
- Special seal fluid.

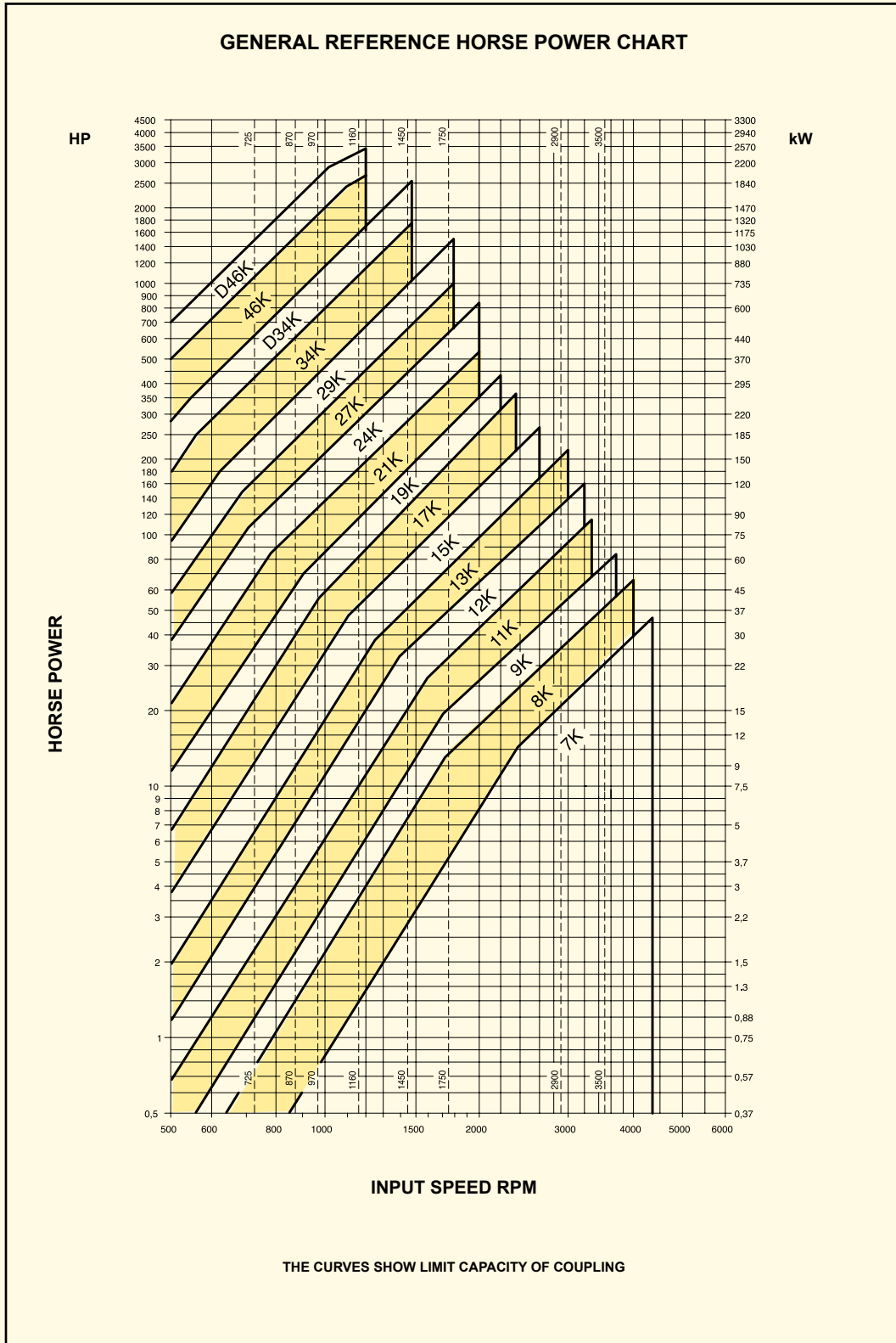
SELECTION

8 SELECTION

8.1 SELECTION CHART

The chart below may be used to select a unit size from the horse-power and input speed. If the selection point falls on a size limit line dividing one size from the other, it is advisable to select the larger size with a proportionally reduced oil fill.

Tab. A



8.2 SELECTION TABLE

Fluid coupling for standard electric motors.

Tab. B

MOTOR		3000 rpm			(^) 1800 rpm			1500 rpm			(^) 1200 rpm			1000 rpm				
TYPE	SHAFT DIA.	KW	HP	COUPLING	KW	HP	COUPLING	KW	HP	COUPLING	KW	HP	COUPLING	KW	HP	COUPLING		
80	19	0.75	1	7 K (1)	0.55	0.75	7 K	0.55	0.75	7 K	0.37	0.5	7 K	0.37	0.5	7 K		
		1.1	1.5		0.75	1		0.75	1		0.55	0.75						
90S	24	1.5	2		1.1	1.5		1.1	1.5		1.1	1.5		0.75	1	8 K	0.75	1
		90L	24		2.2	3		1.5	2		1.5	2	1.1	1.5				
100L	28				3	4	2.2	3	2.2	3	1.5	2	8 K	1.5	2	9 K		
		112M	28		4	5.5	3	4	4	5.5	2.2	3		9 K	2.2		3	11 K
132	38				5.5	7.5	4	5.5	5.5	7.5	3	4	9 K		3	4	11 K	
		132M	38		7.5	10	7.5	10	7.5	10	3	4		11 K	4	5.5		12 K
160M	42				11	15	11	15	11	15	5.5	7.5	11 K		5.5	7.5	12 K	
		160L	42		15	20	11	15	11	15	7.5	10		12 K	7.5	10		13 K
180M	48			18.5	25	15	20	15	20	11	15	12 K	11		15	13 K		
		180L	48	22	30	18.5	25	18.5	25	18.5	25		12 K	-	-		-	
200L	55			-	-	22	30	22	30	22	30	13 K		15	20	15 K		
		225S	60	30	40	30	40	30	40	30	40		13 K	18.5	25		15 K	
225M	55(300) 60			37	50	37	50	37	50	37	50	15 K		22	30	-		
		250M	60 (3000) 65	-	-	45	60	45	60	45	60		15 K	-	-		-	
280S	65 (3000) 75			45	60	45	60	45	60	45	60	17 K		30	40	17 K		
		280M	65 (3000) 75	55	75	55	75	55	75	55	75		17 K	37	50		19 K	
315S	65 (3000) 80			75	100	75	100	75	100	75	100	17 K		45	60	19 K		
		315M	65 (3000) 80	90	125	90	125	90	125	90	125		19 K	55	75		21 K	
355S	80 (3000) 100			110	150	110	150	110	150	110	150	19 K		75	100	21 K		
		355M	80 (3000) 100	132	180	132	180	132	180	132	180		21 K	90	125		24 K	
200	270			160	220	160	220	160	220	160	220	21 K		110	150	24 K		
		250	340	200	270	200	270	200	270	200	270		24 K	132	180		27 K	
250	340			260	340	260	340	250	340	250	340	24 K		160	220	27 K		
		250	340	315	430	315	430	315	430	315	430		24 K	200	270		29 K	
250	340											27 K		250	340	29 K		

NO - STANDARD MOTORS	max.			max.			max.					
	700	952	27 K	510	700	27 K	440	598	29 K	370	500	29 K
	1000	1360	29 K	810	1100	29 K	800	1088	34 K	600	800	34 K
				1300	1740	34 K	1250	1700	D 34 K	880	1200	D 34 K
				1840	2500	D 34 K	2000	2700	46 K	1470	2000	46 K
							2500	3400	D 46 K	2000	2700	D 46 K

(^) POWERS REFER TO MOTORS CONNECTED AT 440 V. 60 HZ

(1) SPECIAL VERSION, 24 HOURS SERVICE

(2) ONLY FOR KRM

NB: THE FLUID COUPLING SIZE IS TIED TO THE MOTOR SHAFT DIMENSIONS

8.3 PERFORMANCE CALCULATIONS

For frequent starts or high inertia acceleration, it is necessary to first carry out the following calculations. For this purpose it is necessary to know:

P_m - input power	kW
n_m - input speed	rpm
P_L - power absorbed by the load at rated speed	kW
n_L - speed of driven machine	rpm
J - inertia of driven machine	kgm ²
T - ambient temperature	°C

The preliminary selection will be made from the selection graph Tab. **A** depending upon input power and speed. Then check:

- A) acceleration time
- B) max allowable temperature
- C) max working cycles per hour

A) Acceleration time t_a :

$$t_a = \frac{n_u \cdot J_r}{9.55 \cdot M_a} \quad (\text{sec}) \quad \text{where:}$$

n_u = coupling output speed (rpm)
 J_r = inertia of driven machine feddered to coupling shaft (kgm²)
 M_a = acceleration torque (Nm)

$$n_u = n_m \cdot \left(\frac{100 - S}{100} \right)$$

where S is the percent slip derived from the characteristic curves of the coupling with respect to the absorbed torque M_L .

If S is not known accurately, the following assumptions may be made for initial calculations:

- 4 up to size 13"
- 3 from size 15" up to size 19"
- 2 for all larger sizes.

$$J_r = J \cdot \left(\frac{n_L}{n_u} \right)^2$$

Note: $J = \frac{PD^2}{4}$ or $\frac{GD^2}{4}$

$$M_a = 1.65 M_m - M_L$$

where: $M_m = \frac{9550 \cdot P_m}{N_m}$ (Nominal Torque)

$$M_L = \frac{9550 \cdot P_L}{N_u}$$
 (Absorbed Torque)

B) Max allowable temperature.

For simplicity of calculation, ignore the heat dissipated during acceleration.

Coupling temperature rise during start-up is given by:

$$T_a = \frac{Q}{C} \quad (^\circ\text{C})$$

where: Q = heat generated during acceleration (kcal)
 C = total thermal capacity (metal and oil) of coupling selected from Tab. **C** (kcal/°C).

$$Q = \frac{n_u}{10^4} \cdot \left(\frac{J_r \cdot n_u}{76.5} + \frac{M_L \cdot t_a}{8} \right) \quad (\text{kcal})$$

The final coupling temperature reached at the end of the acceleration cycle will be:

$$T_f = T + T_a + T_L \quad (^\circ\text{C})$$

where: T_f = final temperature (°C)
 T = ambient temperature (°C)
 T_a = temperature rise during acceleration (°C)
 T_L = temperature during steady running (°C)

$$T_L = 2.4 \cdot \frac{P_L \cdot S}{K} \quad (^\circ\text{C})$$

where: K = factor from Tab. **D**
 T_f = must not exceed 150°C

C) Max working cycles per hour H

In addition to the heat generated in the coupling by slip during steady running, heat is also generated (as calculated above) during the acceleration period. To allow time for this heat to be dissipated, one must not exceed the max allowable number of acceleration cycles per hour.

$$H \text{ max} = \frac{3600}{t_a + t_L}$$

where t_L = minimum working time

$$t_L = 10^3 \cdot \frac{Q}{\left(\frac{t_a}{2} + T_L \right) \cdot K} \quad (\text{sec})$$

8.4 CALCULATION EXAMPLE

Assuming: P_m = 20 kW nm = 1450 giri/min
 PL = 12 kW n_L = 700 giri/min
 J = 350 kgm²
 T = 25 °C

Trasmission via belts.
 From selection graph. on Tab. A, selected size is 12K.

A) Acceleration time

From curve Tf 5078-X (supplied on request) slip S = 4%

$$n_u = 1450 \cdot \left(\frac{100 - 4}{100} \right) = 1392 \text{ rpm}$$

$$J_r = 350 \cdot \left(\frac{700}{1392} \right)^2 = 88.5 \text{ kgm}^2$$

$$M_m = \frac{9550 \cdot 20}{1450} = 131 \text{ Nm}$$

$$M_L = \frac{9550 \cdot 12}{1392} = 82 \text{ Nm}$$

$$M_L = 1,65 \cdot 131 - 82 = 134 \text{ Nm}$$

$$t_a = \frac{1392 \cdot 88.5}{9.55 \cdot 134} = 96 \text{ sec}$$

B) Max allowable temperature

$$Q = \frac{1392}{10^4} \cdot \left(\frac{88.5 \cdot 1392}{76.5} + \frac{82 \cdot 96}{8} \right) = 361 \text{ kcal}$$

$$C = 4.2 \text{ kcal/}^\circ\text{C (Tab.C)}$$

$$T_a = \frac{361}{4.2} = 86 \text{ }^\circ\text{C}$$

$$K = 8.9 \text{ (Tab. D)}$$

$$T_L = 2.4 \cdot \frac{12 \cdot 4}{8.9} = 13 \text{ }^\circ\text{C}$$

$$T_f = 25 + 86 + 13 = 124 \text{ }^\circ\text{C}$$

C) Max working cycles per hour

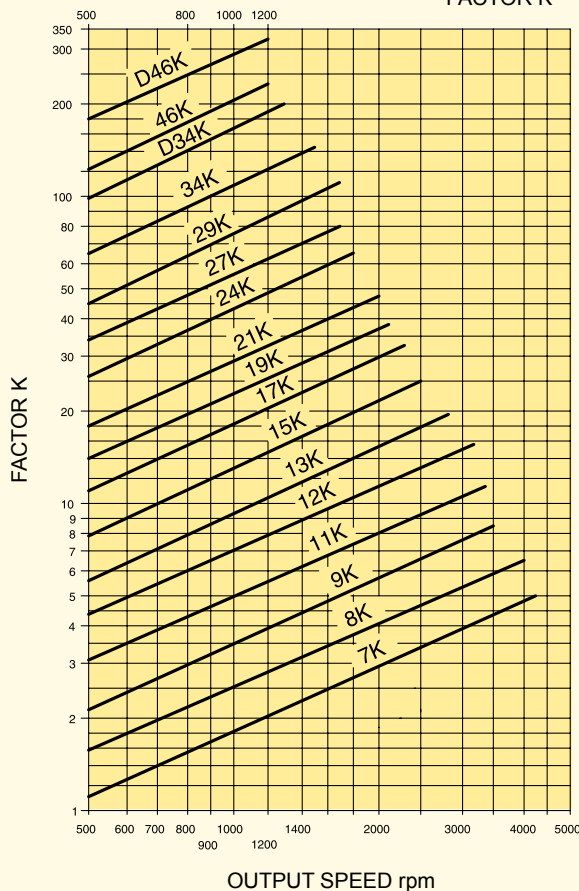
$$t_L = 10^3 \cdot \frac{361}{\left(\frac{86}{2} + 13 \right) \cdot 8.9} = 724 \text{ sec}$$

$$H = \frac{3600}{96 + 724} = 4 \text{ starts per hour}$$

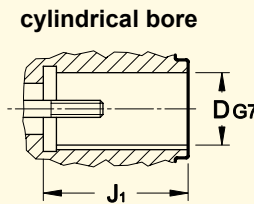
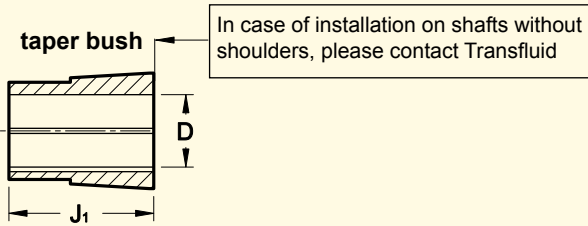
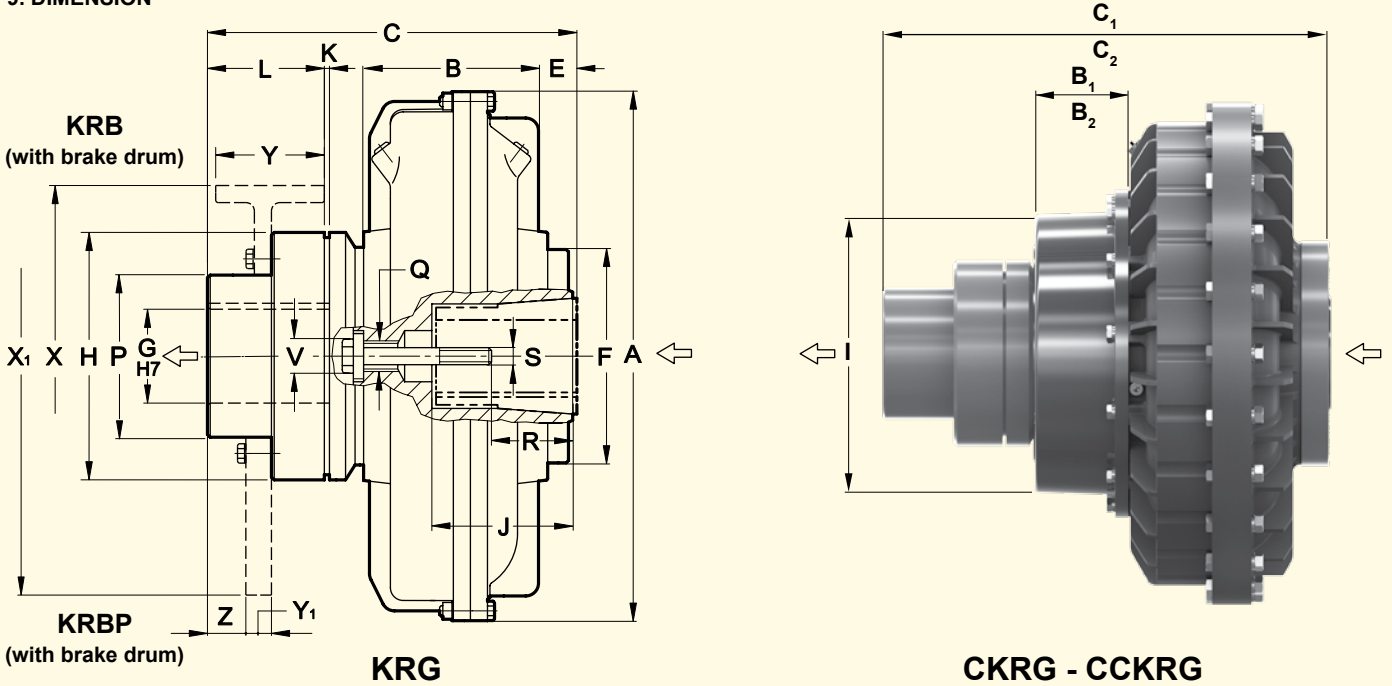
Tab. C
THERMAL CAPACITY

size	K kcal/°C	CK kcal/°C	CCK kcal/°C
7	1.2		
8	1.5	-	
9	2.5		
11	3.2	3.7	
12	4.2	5	
13	6	6.8	
15	9	10	10.3
17	12.8	14.6	15.8
19	15.4	17.3	19.4
21	21.8	25.4	27.5
24	29	32	33.8
27	43	50	53.9
29	56	63	66.6
34	92	99	101
D34	138	-	-
46	-	-	175
D46	332	-	-

Tab. D
FACTOR K



9. DIMENSION

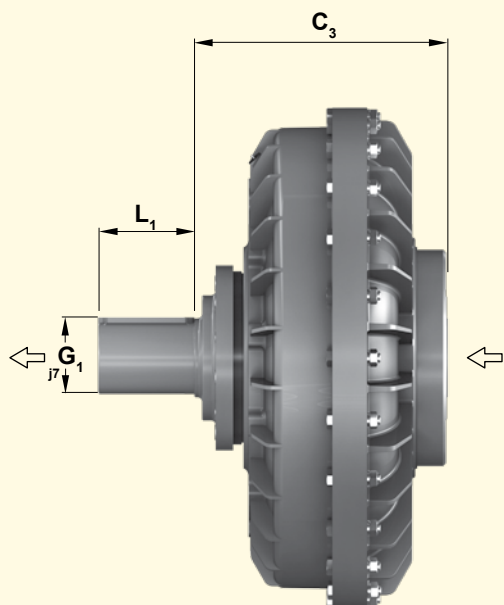


DIMENSIONS ARE SUBJECT TO ALTERNATION WITHOUT NOTICE

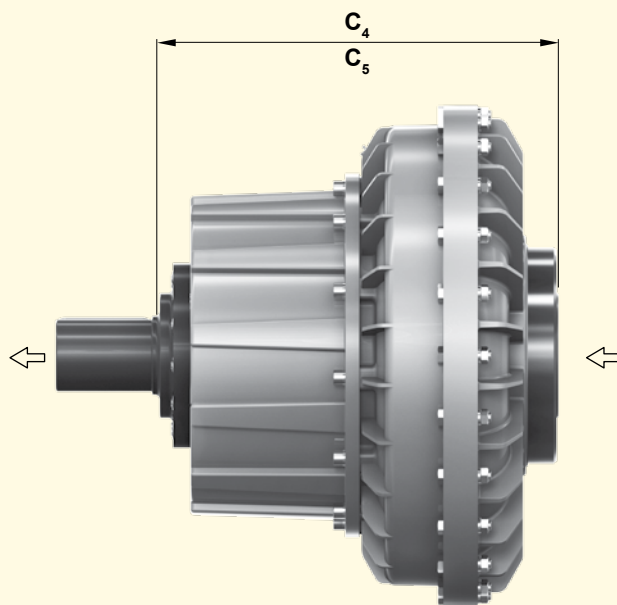
⇒ Dimensions

Series	D		J	J ₁		A	B KR...	B ₁ CKR...	B ₂ CCKR...	C KRG	C ₁ CKRG	C ₂ CCKRG	E	F	G max	H	I	K	L	P	Q	R		S		V	Z	Flex coupling	brake drum X - Y	brake drum X ₁ - Y ₁	Weight kg (without oil)			Oil max (l)		
	19	24		40	50																	228	77	189	22						27	35	M6	M8	21	BT 10
7	28		69	60		256	91	-	194	-	-	-	114	42	110	-	-	60	70	M12	-	40	M10	21	BT 10	160 - 60	-	-	-	8.7	-	1.5	-			
	24			50																														36	M8	
8	28		60			295	96	-	246	-	-	-	31	128	-	-	-	-	-	-	-	43	54	M10	M12	-	-	-	-	-	16	-	1.95	-		
	42...	48...		80	110																														41	M10
9	28	38	111	60	80	325	107	68.5	301	-	-	-	27	55	132	195	-	-	85	M20	-	42	56	M10	M12	27	BT 20	160 - 60 200 - 75	-	-	18	20.5	2.75	3.35		
	42...	48...		80	110																														83	M16
11	28	38	111	60	80	372	122	75	255	322	-	-	24	145	-	-	-	-	80	-	-	42	56	M10	M12	27	BT 20	160 - 60 200 - 75	-	-	21.5	24.5	4.1	4.8		
	42...	48...		80	110																														83	M16
12	42	48	143	110		398	137	-	285	345	-	-	28	179	70	170	224	-	100	-	-	84	M16	-	-	5	BT 30	200 - 75 250 - 95	400 - 30 450 - 30	34	37	5.2	5.8			
	55...	60...		110	58.5																													74	104	M20
13	48	55	145	110		460	151	87	137	343	411	461	35	206	80	259	-	-	110	120	-	80	70	M16	M20	34	BT 40	250 - 95 315 - 118	400 - 30 450 - 30	50.3	54.3	62	7.65	8.6	9.3	
	60	65...		140																																100
15	48	55	145	110		520	170	-	-	-	-	-	37	-	-	-	-	-	110	135	-	80	M16	M20	34	15	BT 50	315 - 118 400 - 150	445 - 30 450 - 30	77	83	92	11.7	13.6	14.9	
	60	65...		140																																103
17	75	80	145	110		565	190	96	176	362	442	522	225	90	250	337	-	-	110	135	-	80	M16	M20	34	15	BT 50	315 - 118 400 - 150	445 - 30 450 - 30	83	90	99	14.2	16.5	18.5	
	75	80		140	170																															103
19	48	55	145	110		565	190	96	176	362	442	522	225	90	250	337	-	-	110	135	-	80	M16	M20	34	15	BT 50	315 - 118 400 - 150	445 - 30 450 - 30	83	90	99	14.2	16.5	18.5	
	60	65...		140	170																															103

- D BORES RELATIVE TO TAPER BUSHES WITH A KEYWAY ACCORDING TO ISO 773 - DIN 6885/1
- PARTICULAR CASES:
 - CYLINDRICAL BORE WITHOUT TAPER BUSH WITH A KEYWAY ISO 773 - DIN 6885/1
 - CYLINDRICAL BORE WITHOUT TAPER BUSH, WITH A REDUCED KEYWAY (DIN 6885/2)
 - TAPER BUSH WITHOUT KEYWAY
- FOR ...KRB - KRBP SERIES SPECIFY X AND Y OR X1 AND Y1 DIAMETER
- EXAMPLE: 9KRB - D38 - BRAKE DRUM = 160x60



KRD



CKRD - CCKRD

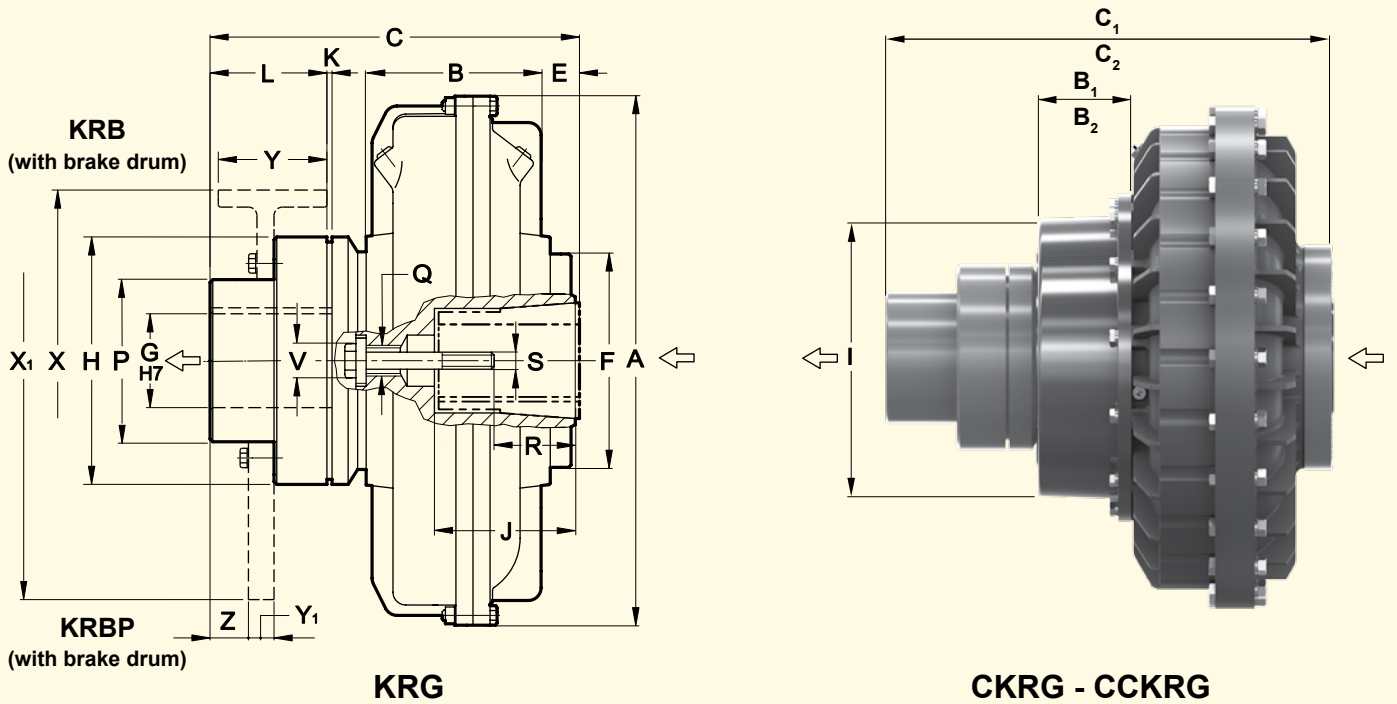
NB: The arrows ← indicate input and output in the standard versions.

↔ Dimensions

Size	C ₃	C ₄	C ₅	G ₁	L ₁	Weight kg (without oil)		
	KRD	CKRD	CCKRD			KRD	CKRD	CCKRD
7	138			28	40	5.7		
8	138	-				6.1	-	
9	176			38		11.6		
11		231		42	50	13	15.5	
	185					16.7	19.7	
12		252						
13	212	272		48	60	26.3	29.3	
15	330	298	348	60	80	40.4	44.4	52.1
17				75	10	58.1	64.1	73.1
	236	343	423			65.1	71.1	80.1
19								

- WHEN ORDERING, SPECIFY: SIZE - MODEL - D DIAMETER
- UPON REQUEST: BORE G MACHINED; G1 SPECIAL SHAFT
- G1 SHAFT WITH A KEYWAY ACCORDING TO ISO 773 - DIN 6885/1

DIMENSIONS ARE SUBJECT TO ALTERATION WITHOUT NOTICE



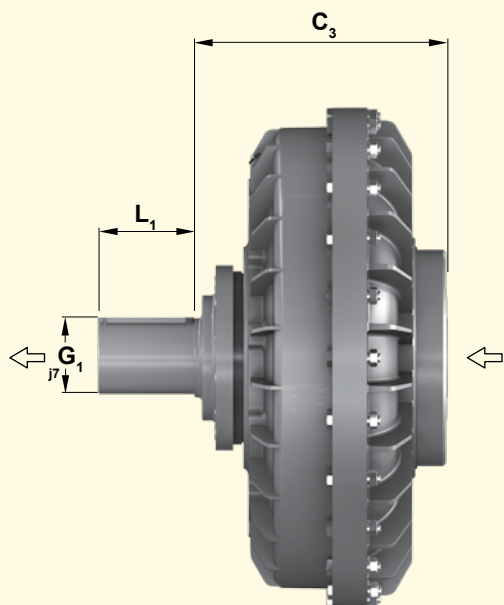
NB: The arrows ← indicate input and output in the standard versions.

Size ⇄ Dimensions

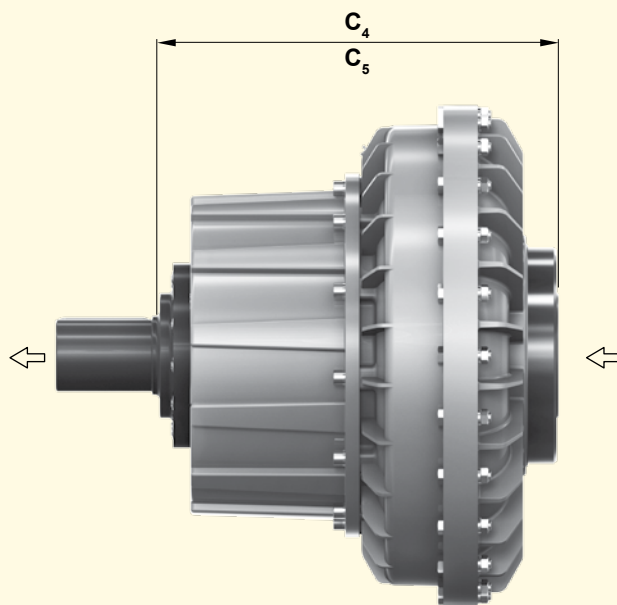
Size	D		J	A	B	B ₁	B ₂	C	C ₁	C ₂	E	F	G	H	I	K	L	P	Q	R	S	V	Z	Flex coupling	Brake drum X - Y	Brake disc X ₁ - Y ₁	Weight kg (without oil)			Oil max l			
	•	••			KR...	CKR...	CCKR...	KR...	CKR...	CCKR...															KRG	CKRG	CCKRG	KRG	CKRG	CCKRG			
21	•80	90	170	620	205			433	533	623	45									130	M20	M24			400 - 150	560 - 30	129	139	147	19	23	31	
	••100		210			110	200	468	568	658	80	250	110	290	400	3	140	170	M36	165	M24		40	45	BT60	630 - 30							
24	•80	90	170	714	229			433	533	623	21									130	M20	M24			500 - 190	710 - 30	147	157	165	28.4	23	39	
	••100		210					468	568	658	56									165	M24					795 - 30							
27	120 max	210 max	780	278				484	602	702	6	315								167	M24		-	20	BT80	500 - 190	710 - 30	228	246	265	42	31.2	61
29	135 max	240 max	860	295	131	231		513	631	731	18	350		130	354					167	M24		-			795 - 30		281	299	309	55	50	73
34	150 max	265 max	1000	368				638	749	849	19	400	140	395		5	170	220		200	M36		-	18	BT90	630 - 236	1000 - 30	472	482	496	82.5	92.5	101

- D BORES WITH A KEYWAY ACCORDING TO ISO 773 - DIN 6885/1
 - STANDARD DIMENSIONS WITH A KEYWAY ISO 773 - DIN 6885/1
 - STANDARD DIMENSIONS WITH REDUCED KEYWAY (DIN 6885/2)
 - WHEN ORDERING, SPECIFY: SIZE - MODEL - D DIAMETER FOR ...KRB OR ...KRBP, SPECIFY X AND Y OR X1 AND Y1 DIMENSIONS BRAKE DRUM OR DISC
 - UPON REQUEST, G FINISHED BORE
- EXAMPLE: 19KRBP - D80 - BRAKE DISC 450 x 30

DIMENSIONS ARE SUBJECT TO ALTERATION WITHOUT NOTICE



KRD



CKRD - CCKRD

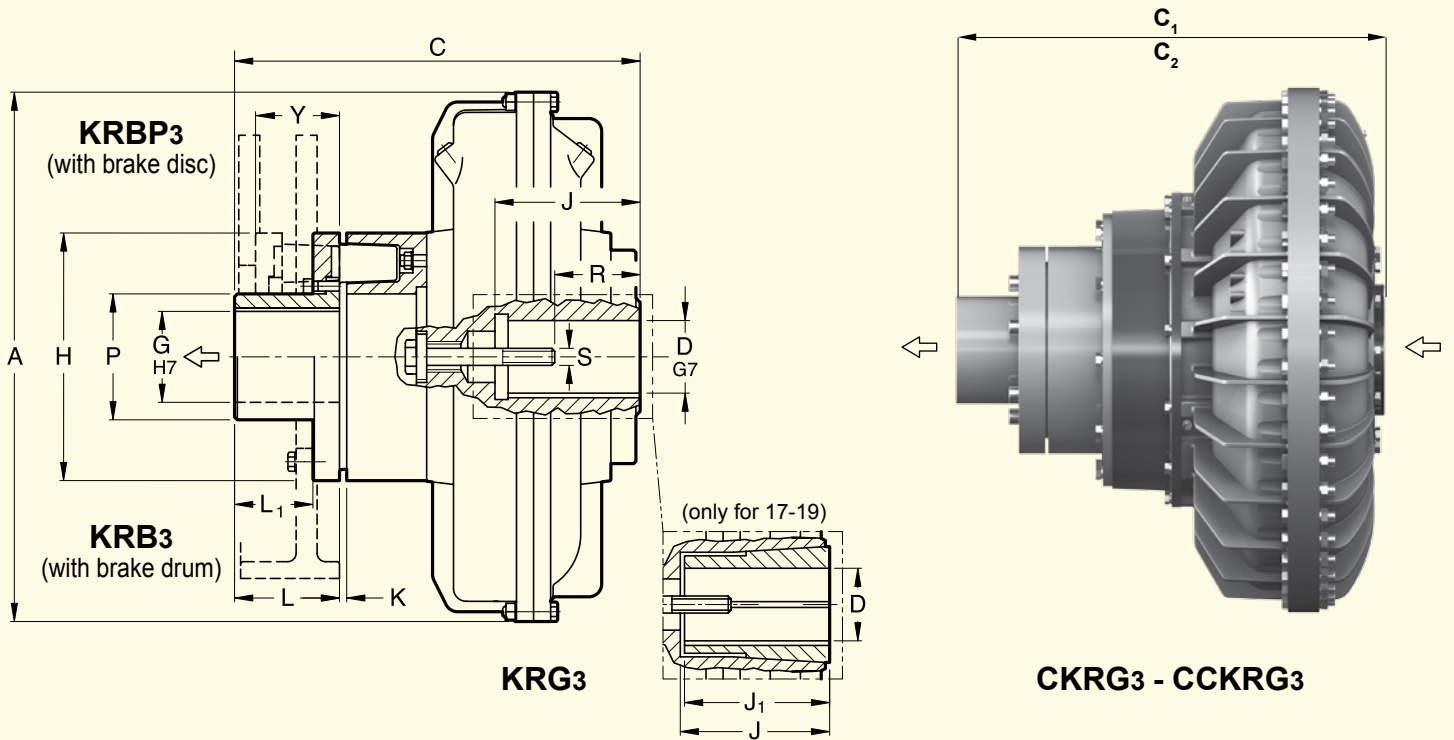
NB: The arrows indicate input and output in the standard versions.

Dimensions

Size	Dimensions			G ₁	L ₁	Weight kg (without oil)		
	C ₃	C ₄	C ₅			KRD	CKRD	CCKRD
	KRD	CKRD	CCKRD			KRD	CKRD	CCKRD
21	292	392	482	90	120	99.5	109.5	117.5
	327*	427*	517*					
24	292	392	482	100	140	117.5	127.5	135.5
	327*	427*	517*					
27	333	451	551	100	140	178	186	215
29	362	480	580					
34	437	568	668	140	150	358	373	383

* Total length with D100
 - UPON REQUEST G₁ SPECIAL SHAFT DIAMETER

DIMENSIONS ARE SUBJECT TO ALTERATION WITHOUT NOTICE



The three pieces flexible coupling **B3T**, allows the removal of the elastic elements (rubber blocks), without removal of the electric motor; only with the **KRB3** (with brake drum) coupling the electric motor must be removed by the value of 'Y'.
 'Y' = axial displacement male part of the coupling **B3T** necessary for the removal of the elastic elements.

↔ Dimensions

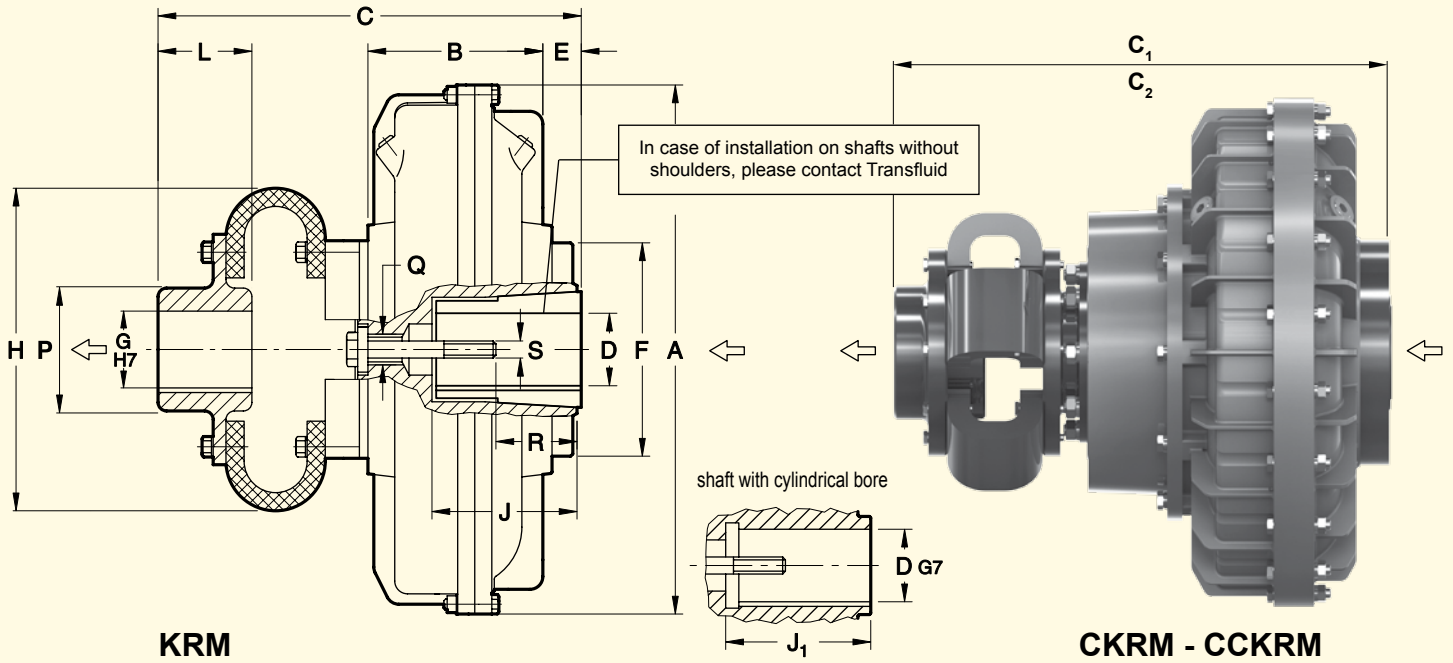
Size	D		J	J ₁	A	C	C ₁	C ₂	G	H	K	L	L ₁	P	R	S		Y	Elastic coupling	Weight kg (without oil)		
	•	••														M16	M20			KRG ₃	CKRG ₃	CCKRG ₃
17	48	55	145	110	520	418	498	578	90	240	3	110	82	130	80	M16	M20	82	B3T-50	84	90	99
	60	65•••		140											103	M20						
	75•	80•		140 - 170											103	132						
19	48	55	145	110	565	418	498	578	90	240	3	110	82	130	80	M16	M20	82	B3T-50	91	97	106
	60	65•••		140											103	M20						
	75•	80•		140 - 170											103	132						

- D BORES RELEVANT TO TAPER BUSH WITH KEYWAY ACCORDING TO ISO773 - DIN6885/1
- STANDARD CYLINDRICAL BORES WITHOUT TAPER BUSH WITH KEYWAY ACCORDING TO ISO773 - DIN6885/1
- TAPER BUSH WITHOUT KEYWAY

21	80•	90	170	620	457	557	647	110	290	3	140	78	150	130	M20	M24	82	B3T-60	134	144	152	
	100••	210	492		592	682	165							M24								
24	80•	90	170	714	457	557	647	130	354	4	150	112	180	130	M20	M24	120	B3T-80	152	162	170	
	100••	210	492		592	682	165							M24								
27	120 max		210	-	780	566	684	784	130	354	4	150	112	180	167	M24		120	B3T-80	247	265	284
29	135 max		240	-	860	595	713	813	130	354	4	150	112	180	for max hole		120	B3T-80	300	318	328	
34	150 max		265	-	1000	704	815	915	150	395	5	170	119	205	200	M36 for max hole		151	B3T-90	505	481	491
46	180 max		320	-	1330	-	-	1092	180	490	7	195	138	270	190	M36 for max hole		122	B3T-100	-	-	1102

- D CYLINDRICAL BORES WITHOUT TAPER BUSH WITH KEYWAY ACCORDING TO ISO773 - DIN6885/1
- STANDARD DIMENSIONS
- STANDARD DIMENSION WITH REDUCED HIGH KEYWAY (DIN 6885/2)
- ON ORDER FORM PLEASE SPECIFY: DIMENSION, MODEL, DIAMETER D - EXAMPLE: 21CCKRG3 - D80

DIMENSIONS ARE SUBJECT TO ALTERATION WITHOUT NOTICE



KRM

CKRM - CCKRM

NB: The arrows ⇐ indicate input and output in the standard versions.

COUPLING ALLOWING HIGHER MISALIGNMENTS AND THE REPLACEMENT OF THE ELASTIC ELEMENTS WITHOUT MOVING THE MACHINES

⇨ Dimensions

TAPER BUSH VERSION

Size	D		J	J ₁		A	B	C	C ₁	C ₂	E	F	G	H	L	P	Q	R	S	Elastic coupling	Weight kg (without oil)				
	KRM	CKRM	KRM	CKRM	CCKRM	KRM	CKRM	CCKRM	KRM	CKRM	CCKRM	KRM	CKRM	CCKRM	KRM	CKRM	CCKRM	KRM	CKRM		CCKRM	KRM	CKRM	CCKRM	
9	28	38	111	60	80	295	96	276	-	-	31	128	-	-	-	-	-	43	54	M10	M12	53 F	14.5	-	-
	42...	-		80	-													79	M16						
11	28	38	111	60	80	325	107	285	331	-	27	-	50	185	50	80	M20	42	56	M10	M12	53 F	16.5	19	-
	42...	48...		80	110													83	M16						
12	38		111	80		372	122	-	-	-	24	145	-	-	-	-	-	42	56	M12	-	53 F	20	23	-
	42...	48...		80	110													83	M16						
13	42	48	143	110		398	137	332	392	-	28	177	65	228	72	105	-	84	-	M16	-	55 F	33	36	-
	55...	60...		110	58.5													74	104	M20					
15	48	55	145	110		460	151	367	435	485	35	206	70	235	80	112	-	80	70	M16	M20	56 F	48	52	59.7
	60	65...		140	-													100	M20						
17	48	55	145	110		520	170	-	-	-	37	-	-	-	-	-	-	80	M16	M20	58 F	67	73	82	
	60	65...		140	-													103	M20						
19	48	55	145	110		565	190	380	460	540	-	225	75	288	90	120	-	105	135	M20	-	58 F	74	80	89
	60	65...		140	-													80	M16	M20					
19	75	80	145	140		565	190	380	460	540	17	-	-	-	-	-	-	105	135	M20	-	58 F	74	80	89
	75	80		140	170													105	135	M20					

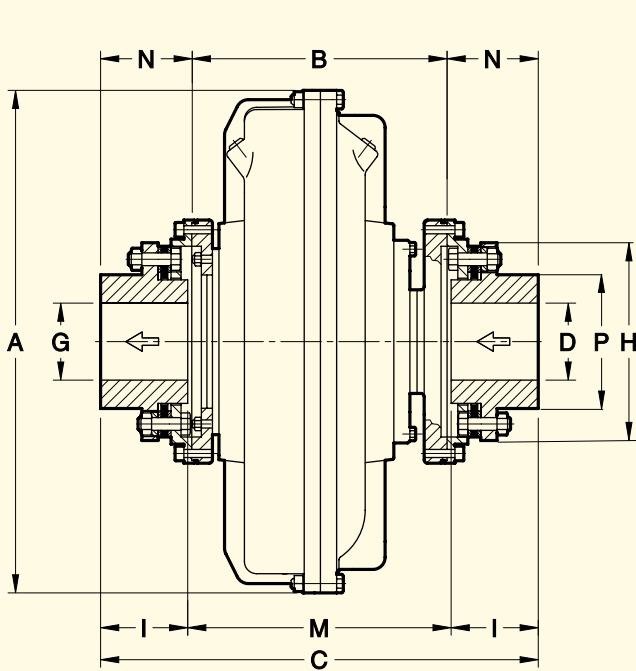
- D BORES RELEVANT TO TAPER BUSH WITH KEYWAY ACCORDING TO ISO773 - DIN6885/1
- CYLINDRICAL BORES WITHOUT TAPER BUSH WITH KEYWAY ACCORDING TO ISO773 - DIN6885/1
- ... CYLINDRICAL BORES WITHOUT TAPER BUSH WITH A REDUCED KEYWAY (DIN 6885/2)
- ... TAPER BUSH WITHOUT KEYWAY

CYLINDRICAL BORE VERSION

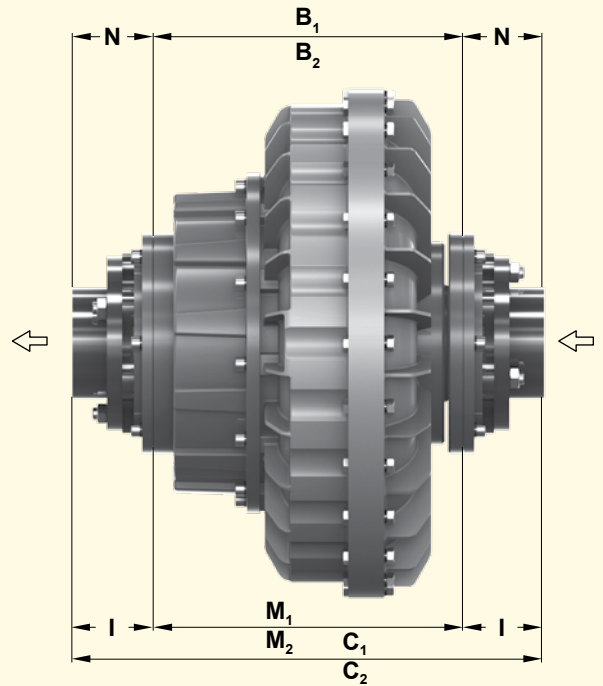
Size	D		J	A	B	C	C ₁	C ₂	E	F	G	H	L	P	Q	R	S	Elastic coupling	Weight kg (without oil)				
	KRM	CKRM	KRM	CKRM	CCKRM	KRM	CKRM	CCKRM	KRM	CKRM	CCKRM	KRM	CKRM	CCKRM	KRM	CKRM	CCKRM		KRM	CKRM	CCKRM	KRM	CKRM
21	80	90	170	620	205	496	596	686	45	250	90	378	110	144	M36	130	M20	M24	65 F	124	134	142	
	100...	-				531	631	721	80							165	M24						
24	80	90	170	715	229	496	596	686	21	250	90	378	110	144	M36	130	M20	M24	65 F	142	152	160	
	100...	-				531	631	721	56							165	M24						
27	120 max	-	210	780	278	525	643	743	6	315	100	462	122	160	M45	167 (for max bore)	M24	-	66 F	211	229	248	
29	135 max	-	240	860	295	577	659	795	18	350	120	530	145	192	M45	167 (for max bore)	M24	-	68 F	293	311	321	
34	150 max	-	265	1000	368	648	779	879	19	400	140	630	165	224	M45	200 (for max bore)	M36	-	610 F	467	462	492	

- D BORES WITH A KEYWAY ACCORDING TO ISO 773 - DIN 6885/1
- STANDARD DIMENSIONS WITH A KEYWAY ISO 773 - DIN 6885/1
- ... STANDARD DIMENSIONS WITH REDUCED KEYWAY (DIN 6885/2)
- WHEN ORDERING, SPECIFY: SIZE - SERIE D DIAMETER - EXAMPLE: 13 CKRM-D 55

DIMENSIONS ARE SUBJECT TO ALTERATION WITHOUT NOTICE



KDM



CKDM - CCKDM

NB: The arrows \leftarrow indicate input and output in the standard versions.

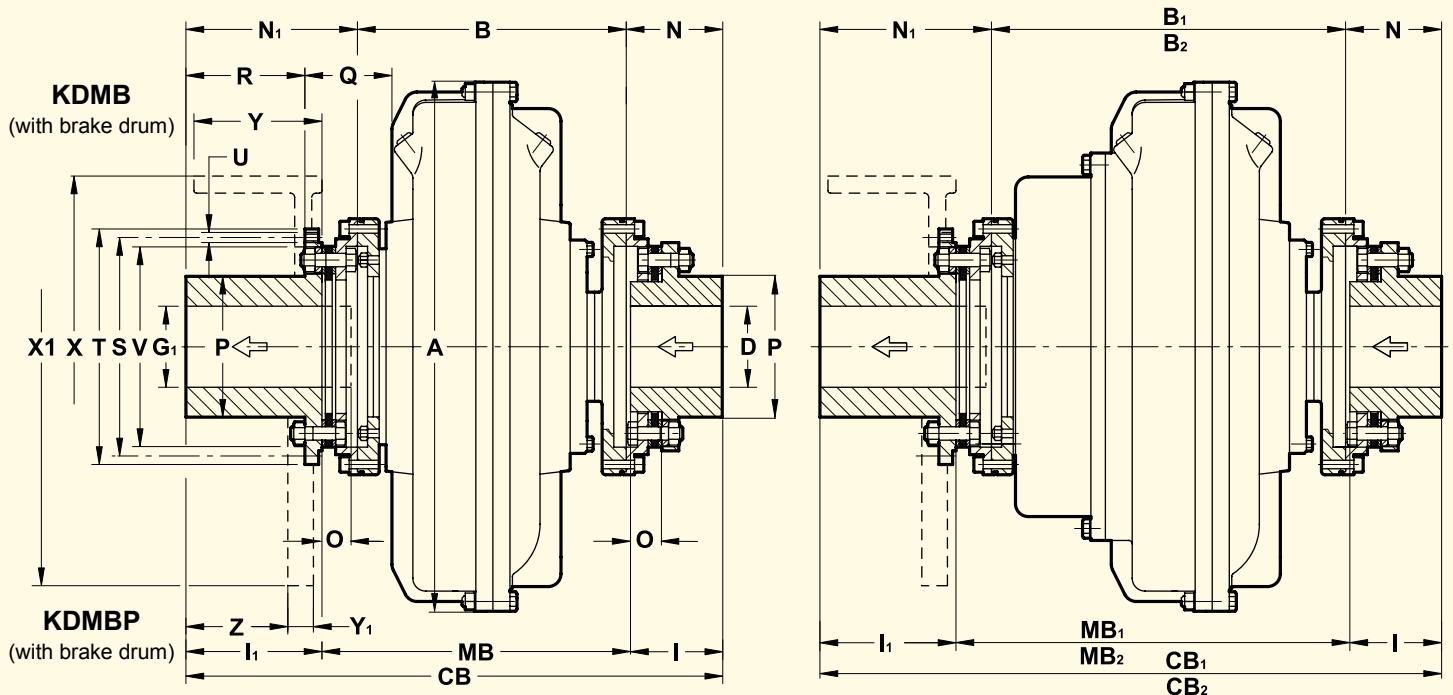
FLUID COUPLING FITTED WITH HALF DISC COUPLINGS, WITHOUT MAINTENANCE AND PRSCRIBED FOR PARTICULAR AMBIENT CONDITIONS. TO BE RADIALLY DISASSEMBLED WITHOUT MOVING THE MACHINES.

\Rightarrow Dimensions

Size	A	B	B ₁	B ₂	C	C ₁	C ₂	D _G min	D _G max	H	I	M	M ₁	M ₂	N	P	Disc coupling size	Weight kg (without oil)		
	KDM	CKDM	CCKDM	KDM	CKDM	CCKDM	KDM	CKDM	CCKDM	KDM	CKDM	CCKDM	KDM	CKDM	CCKDM	KDM		CKDM	CCKDM	
11	325		232		289	335		16	55	123	50	189	235		51.5	76	1055	22.5	25	
12	372	186	253	-		356	-						256					26	29	-
13	398	216	276		339	399		21	65	147	60	219	279		61.5	88	1065	41.3	44.3	
15	460	246	314	364	391	459	509	21	75	166	70	251	319	369	72.5	104	1075	65	69	76.7
17	520																	89	95	104
19	565	269	349	429	444	524	604	31	90	192	85	274	354	434	87.5	122	1085	96	102	111
21	620																	159	169	177
24	714	315	415	505	540	640	730	41	115	244	110	320	420	510	112.5	154	1110	177	187	195
27	780	358	476	576	644	762	862					364	482	582				289	307	326
29	860	387	505	605	673	791	891	51	135	300	140	393	511	611	143	196	1140	342	360	370
34	1000	442	573	673	768	899	999	61	165	340	160	448	579	679	163	228	1160	556	562	572

- WHEN ORDERING, SPECIFY: SIZE - MODEL
 - FINISHED D-G BORES UPON REQUEST
- EXAMPLE: 27 CKDM

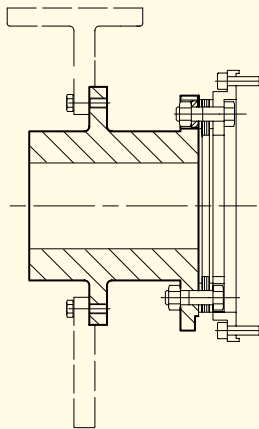
DIMENSIONS ARE SUBJECT TO ALTERATION WITHOUT NOTICE



NB: The arrows \leftarrow indicate input and output in the standard versions.

\Rightarrow Dimensions

ONLY FOR 27 - 29 ARE AVAILABLE HUBS FOR BRAKE DRUM/DISC WITH CENTRAL FLANGE



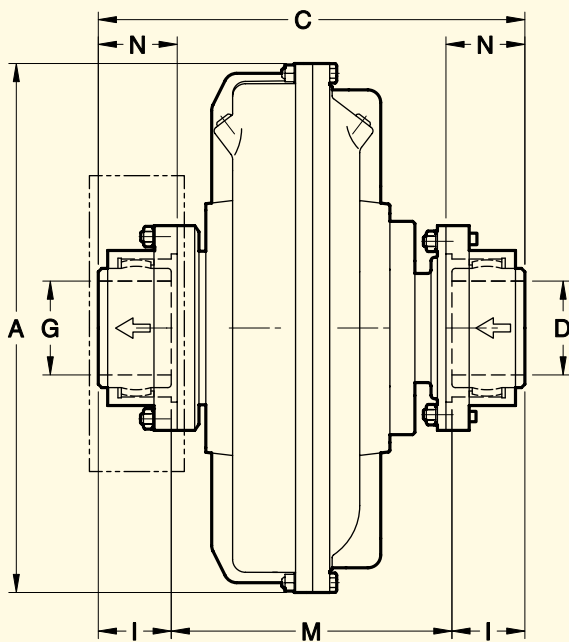
Size	Brake drum X - Y	Brake disc X ₁ - Y ₁	Weight kg (without oil, brake drum and disc)		
			KD..	CKD..	CCKD..
12	200 - 75	on request	27	30	-
13			42.5	45.8	
15	250 - 95	450 - 30	69.3	73.3	81
17	315 - 118	500 - 30	99	105	114
19	400 - 150	560 - 30	105	112	125
21	400 - 150	630 - 30	179	189	197
24	500 - 190	710 - 30	197	207	215
27	500 - 190	800 - 30	317	335	354
29			370	388	398
34	on request	800 - 30 1000 - 30	599	587	597

\Rightarrow Dimensions

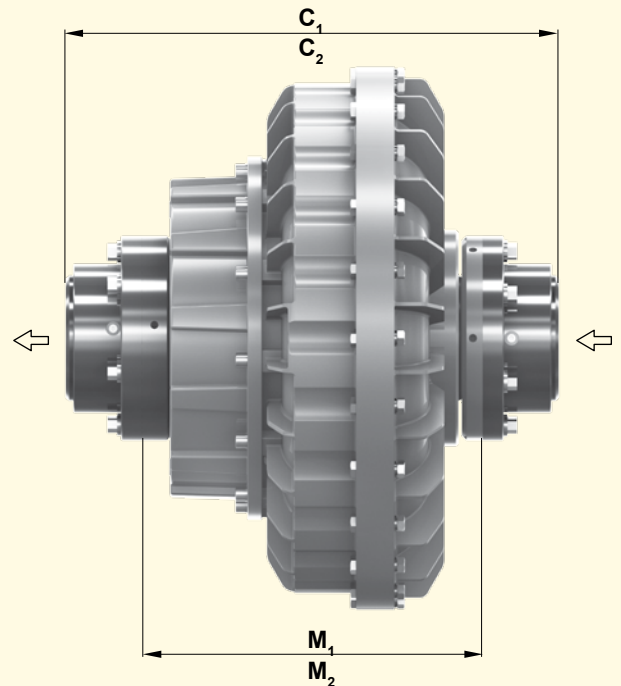
Size	A	B	B ₁	B ₂	CB	CB ₁	CB ₂	D	G ₁	I	I ₁	MB	MB ₁	MB ₂	N	N ₁	O	P	Q	R	S	T	U	V	Z	Disc coupling size		
	KDM	CKDM	CCKDM	KD..	CKD..	CCKD..	max	max	std	max	KD...	CKD..	CCKD..	St	St						±0.1	f7	Nr.	Ø				
12	372	186	253	-	336.5	403.5	-	55	60	50	80	206.5	273.5	-	51.5	99	17.5	76	67	69	128	142	8	M8	114	-	1055	
13	398	216	276	-	440.5	500.5	-	65	70	60	140	240.5	300.5	-	61.5	163	21.5	88	78	129	155	170			140	-	1065	
15	460	246	314	364	495.5	563.5	613.5	75	80	70	150	275.5	343.5	393.5	72.5	177	24.5	104	98	134	175	192			157	109	1075	
17	520	269	349	429	548.5	628.5	708.5	90	95	85	160	210	303.5	383.5	463.5	87.5	192	29.5	122	107	143	204	224	12	M10	185	118	1085
19	565																			87								
21	620	315	415	505	628.5	728.5	818.5	115	120	110	240	358.5	458.5	548.5	112.5	201	38.5	154	107	137	256	276	M12	234	112	1110		
24	714																										109	
27	780	358	476	576	731.5	849.5	949.5	135	145	140	180	411.5	529.5	629.5	143	230.5	47.5	196	107	155	315	338	M14	286	133	1140		
29	860	387	505	605	760.5	878.5	978.5																				109	
34	1000	442	573	673	845.5	976.5	1076.5	165	175	160		505.5	636.5	736.5	163	240.5	57.5	228	124	152	356	382	M16	325	130	1160		

- WHEN ORDERING, SPECIFY: SIZE - MODEL
- D AND G₁ FINISHED BORES UPON REQUEST, AND SPECIAL I₁ DIMENSION
- FOR BRAKE DRUM OR DISC, SPECIFY DIMENSIONS X AND Y OR X₁ AND Y₁
- EXAMPLE : 17KDMB - BRAKE DRUM 400 x 150

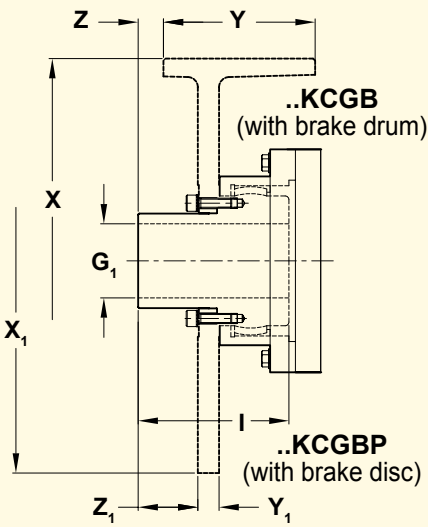
DIMENSIONS ARE SUBJECT TO ALTERATION WITHOUT NOTICE



KCG



CKCG - CCKCG



Brake drum or disc upon request

NB: The arrows \leftarrow indicate input and output in the standard versions.

FLUID COUPLING FITTED WITH HALF GEAR COUPLINGS, TO BE RADIALLY DISASSEMBLED WITHOUT MOVING THE MACHINES

\rightleftarrows Dimensions

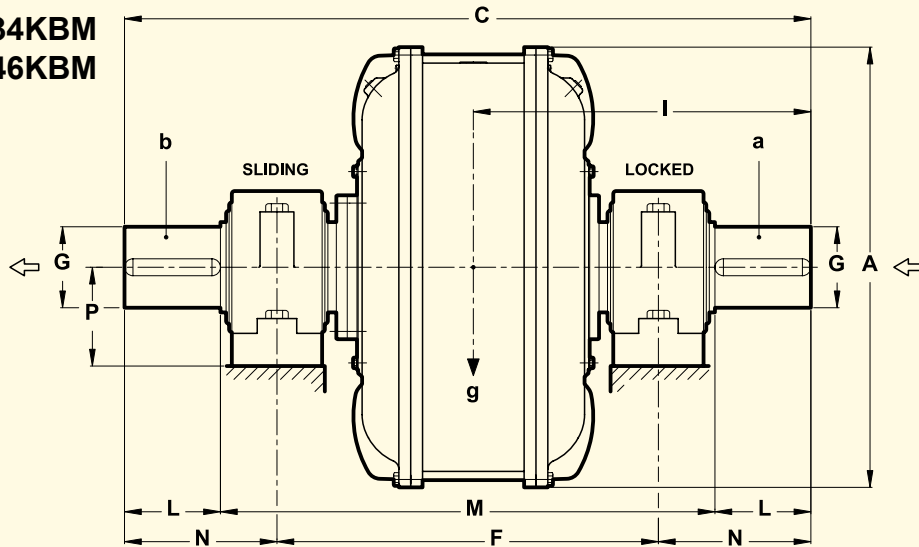
Size	A		C		C ₁	C ₂	D	G	I	I ₁	M	M ₁	M ₂	N	Brake drum X - Y	Z	Brake drum X ₁ - Y ₁	Z ₁	Gear Couplig Size	Weight kg (without oil)		
	KCG	CKCG	KCG	CKCG	CKCG		max	max			KCG	CKCG	CCKCG						E.I.	KCG	CKCG	CCKCG
7	228	229					50	-	43	80	143			44.5	•	•	•	•	1" E.I.	11.3		
8	256	234	-								148	-							(5) (6)	11.7	-	
9	295	290.6									190.6									22.9		
11	325	299.6	345.6								199.6	245.6			250-95	45	400-30	32	1" ½ E.I.	24.9	27.4	
12	372	299.6	366.6				65	45	50	114		266.6							(5) (6)	28.5	31.4	
13	398	325.1	385.6								225.1	285.1								37.6	40.6	
15	460	410	478	528							258	326	376							76.6	80.6	88.3
17	520						95	65	76	146				79.5	250-95 315-118	57.5 21.5	400-30 445-30	44.5	2" ½ E.I.	91.1	97.1	106.1
19	565	434	514	594							282	362	442						(5) (6)	98.1	104.1	113.1
21	620														315-118	26	560-30	38	3" E.I.	142.3	152.3	160.3
24	714	503	603	693	111	90	90	165	323	423	513	93.5		400-150	15	710-30	38	(5) (6)	160.3	170.3	178.3	
27	780	627	754	845			134	110	105	170	417	535	635	109.5	500-190	6	795-30	30	3" ½ E.I.	253.2	272.2	291.2
29	860	656	774	874							446	564	664						(5) (6)	307.2	325.2	335.2
34	1000	750	881	981	160	120	120	190	510	641	741	123.5			•	•	800-30	42	4" E.I.	492.4	507.4	517.4
46	1330	-	-	1313.4	244	175	190	280	-	-	933.4	192.5			•	•	•	•	6" E.I.	-	-	1333

- UPON REQUEST
- (5) E.I. = EXPOSED INCH SCREWS
- (6) GEAR COUPLING WITH SPECIAL CALIBRATED BOLTS
- WHEN ORDERING, SPECIFY: SIZE - MODEL
- EXAMPLE: 21CKCG

DIMENSIONS ARE SUBJECT TO ALTERATION WITHOUT NOTICE

FLUID COUPLING WITH DOUBLE CIRCUIT, FITTED WITH MAIN JOURNALS AND INPUT AND OUTPUT SHAFTS

D34KBM
D46KBM



SERIES	A	C	F	D-G m6	L	M	N	P	WEIGHT Kg (Without oil)	OIL max. l	CENTER OF GRAVITY		MOMENT OF INERTIA J (WR2) Kgm ²	
											g Kg	l mm	a	b
D34KBM	1000	1400	855	140	140	1120	257.5	170	810	162	952	710	26.19	64.25
D46KBM	1330	1900	1275	160	200	1550	312.5	170	2200	390	2514	955	91.25	183.7

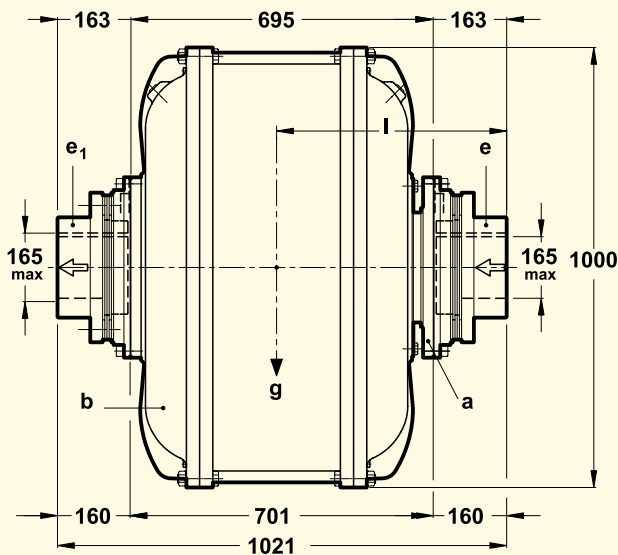
KEYWAYS ACCORDING TO ISO 773 - DIN 6885/1

FLUID COUPLINGS FITTED WITH DOUBLE CIRCUIT, TO BE RADIALLY DISASSEMBLED WITHOUT MOVING THE MACHINES.

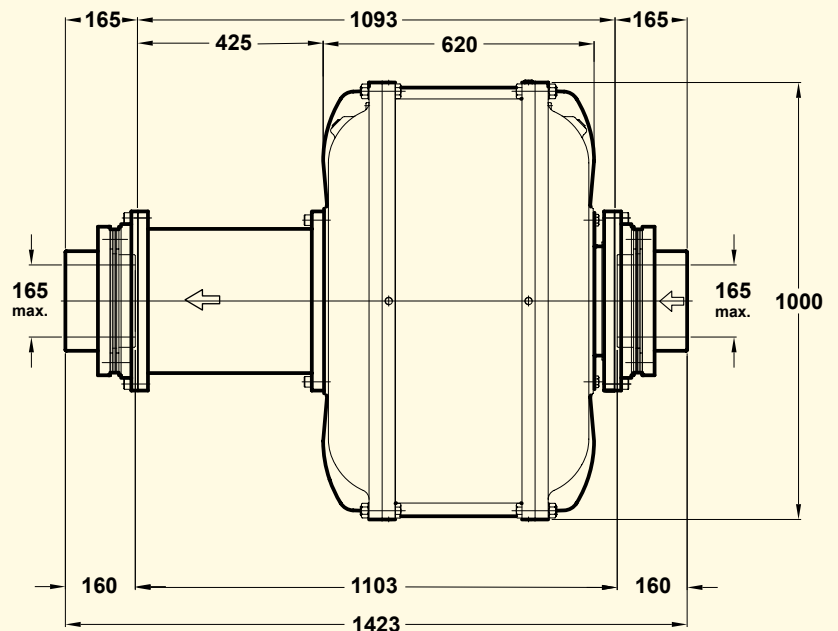
WITH HALF DISC COUPLINGS, WITHOUT MAINTENANCE

WITH HALF DISC COUPLINGS

D34KDM



D34CKDM



NB: The arrows ⇐ indicate input and output in the standard versions.

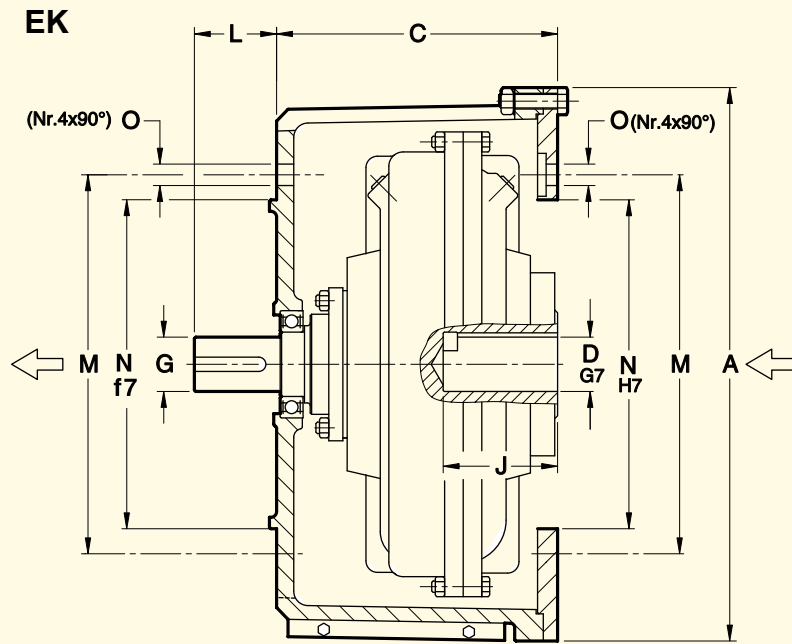
⇨⇨ Dimensions

Size	WEIGHT Kg (without oil)	OIL max. l	CENTER OF GRAVITY		MOMENT OF INERTIA J (WR2) Kgm ²			
			g kg	l mm	a	b	c	d
D34KDM	880	162	1022	512	26.08	65.53	0.955	0.955
D34CKDM	1014	194.5	194.5	532	26.08	67.99	0.955	0.955

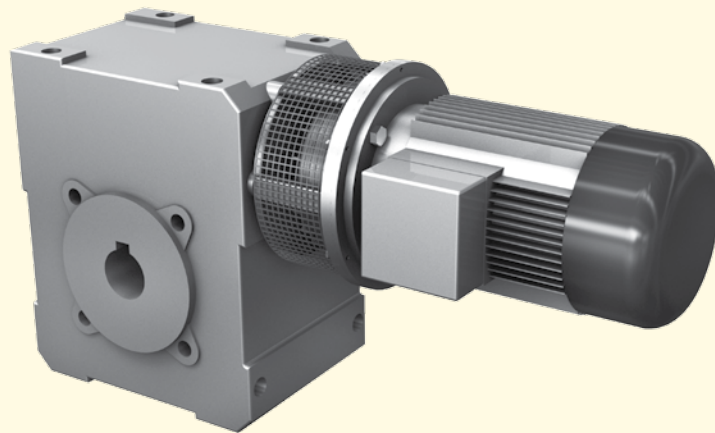
- g = TOTAL WEIGHT INCLUDING OIL (MAX FILL)
- a = INTERNAL ELEMENT
- b = EXTERNAL ELEMENT
- d = HALF FLEXIBLE COUPLING (INTERNAL ELEMENT)
- d₁ = HALF FLEXIBLE COUPLING (EXTERNAL ELEMENT)

Also available D46KCG. For information please apply Transfluid

DIMENSIONS ARE SUBJECT TO ALTERATION WITHOUT NOTICE



Example for application

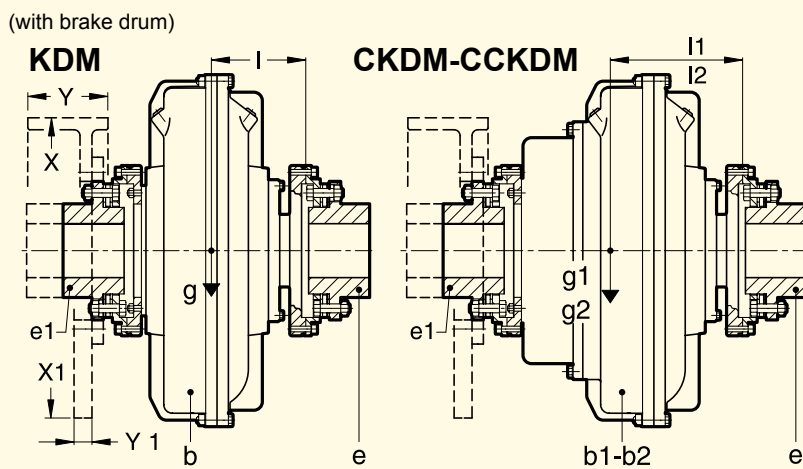
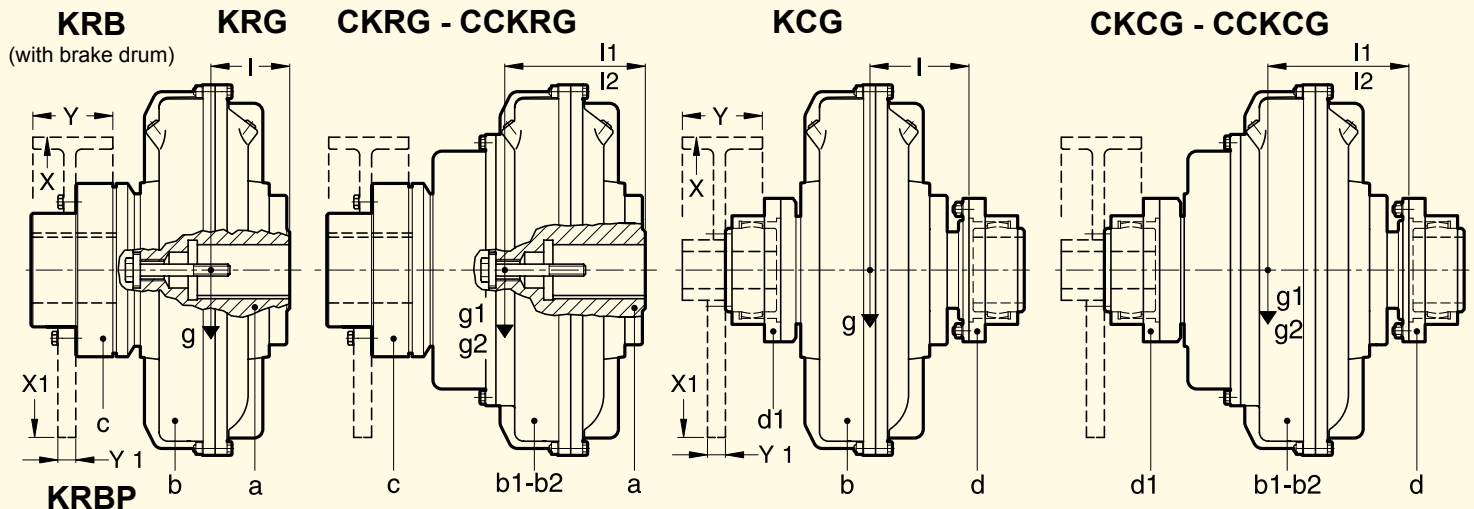


NB: The arrows ← indicate input and output in the standard versions.

Size	Dimensions									Weight kg (without oil)	OIL max l	Electric motors	
	D	J	G	L	A	C	M	N	O			TYPE	kW 1500 rpm
7	• 24	52	24	38	269	132	165	130	11	11.4	0.92	90S - 90L **90LL	1.1 - 1.5 1.6
8	• 28	62	28 h7	44	299	142	215	180	13	12.2	1.5	100 L 112 M	2.2 - 3 4
9	• 38	82	38	57	399	187	265	230	13	26.9	1.95	132S - 132M ** 132L	5.5 - 7.5 9.2
11	• 42	112	42	63	399	187	300	250	17	28.3	2.75	160M - 160 L	11 - 15
12	•• 48	112	48 j7	65	485	214	300	250	17	66	4.1	180 M 180 L	18.5 22
13	• 55	112	55	80			350	300		76	5.2	200 L	30

- CYLINDRICAL BORE WITH A KEYWAY ISO 773 - DIN 6885/1
 - CYLINDRICAL BORE WITH A REDUCED KEYWAY (DIN 6885/2)
 - ** NOT STANDARD
- WHEN ORDERING SPECIFY: SIZE - MODEL - DIAMETER D and G
EXAMPLE: 8 EK-D28 - G 28

DIMENSIONS ARE SUBJECT TO ALTERATION WITHOUT NOTICE



⇒ Dimensions

Size	MOMENT OF INERTIA					
	With brake drum			With brake disc		
	X - Y	kgm ²	Weight kg	X ₁ - Y ₁	kgm ²	Weight kg
13-15	250 -95	0.143	11.9	400	0.587	27
	315 -118	0.379	20.1	450	0.944	34.9
17-19	315 -118	0.378	19.8	450	0.941	34.2
	400 -150	1.156	37.5	500	1.438	43
21-24				560	2.266	54.7
	400 - 150	1.201	39.9	560	2.255	52.7
				630	3.623	68.1
	500 - 190	3.033	64.1	710	5.856	88
27-29				795	9.217	111.6
	500 - 190	3.022	62.8	710	5.840	86
				800	9.434	111.1
34	630 - 236	10.026	132.6	800	9.418	109.6
				1000	23.070	176.2

⇒ Dimensions

Size	CENTER OF GRAVITY																		
	KRG		CKRG		CCKRG		KCG		CKCG		CCKCG		KDM		CKDM		CCKDM		
	g	l ₁	g ₁	l ₁	g ₂	l ₂	g	l	g ₁	l ₁	g ₂	l ₂	g	l	g ₁	l ₁	g ₂	l ₂	
7	9.1	92					12.1	70											
8	10	93					13	73											
9	17.7	134					24.6	86					22.2	81					
11	20.4	136	23.4	151			27.3	93	30.2	107			24.9	85	27.9	98			
12	25.1	142	28.7	154			32.1	98	35.6	113			29.6	92	33.2	104			
13	38.5	157	42	176			42.2	104	45.7	115			45.8	101	49.3	109			
15	57	174	61.8	195	70.2	216	77.3	124	82.1	135	90.4	147	71.7	121.5	76.6	130	85.7	145	
17	87.2	205	94.8	225	106.5	238	85.3	138	103.1	152	126.6	185	99.2	135	106.9	145	118.3	163	
19	96.4	201	104.4	221	116	227	104.6	138	112.6	152	136	182	106.4	135	116.4	145	127.4	161	
21	145.6	233	159	265	169.3	288	151.2	157	164.5	174	200.2	211	175.6	156	189	168	201	182	
24	172	227	184	255	195.3	280	177.2	157	190.2	170	225.2	201	202	214.3	166	226	178		
27	265	262	290	298	313	312	276.2	185	304.2	210	361.2	248	326	164	351	174	378	195	
29	329	277	354	305	368	321	344.2	198	359.2	218	415.2	251	383	176	411	188	432	200	
34	521	333	549	364	580	376	548.9	235	571.9	253	582.9	282	628	209	636	214	650	222	
36					1294	485					1524	368							

g g₁ g₂ = TOTAL WEIGHT, INCLUDING OIL (MAX FILL)

* For **KSD** (without pulley) = a + b

* For **CKSD** (without pulley) = a + b₁

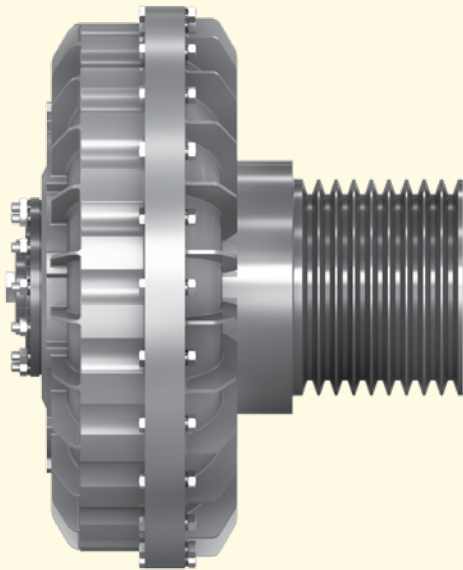
* For **CCKSD** (without pulley) = a + b₂

Size	MOMENT OF INERTIA J kgm ²									
	..K..		..KRG		..KCG		..KDM		..KDM	
	a	b	b ₁	b ₂	c	d	d ₁	e	e ₁	
	0.006	0.019			0.004	0.004	0.004	-	-	
	0.012	0.034								
	0.020	0.068								
	0.039	0.109			0.011	0.017	0.016	0.014	0.014	
	0.072	0.189	0.217							
	0.122	0.307	0.359		0.032			0.032	0.036	
	0.236	0.591	0.601	0.887	0.082	0.091	0.102	0.063	0.064	
	0.465	1.025	1.281	1.372	0.192	0.091	0.102	0.121	0.125	
	0.770	1.533	1.788	1.879						
	1.244	2.407	2.997	3.181						
	2.546	4.646	5.236	5.420	0.370	0.145	0.375	0.210	0.373	
	3.278	7.353	9.410	10.37						
	4.750	11.070	13.126	13.754	1.350	0.500	0.436	0.934	0.887	
	11.950	27.299	29.356	29.983	3.185	0.798	1.649	1.565	2.773	
	52.2			106.6	6.68	4.35	7.14			

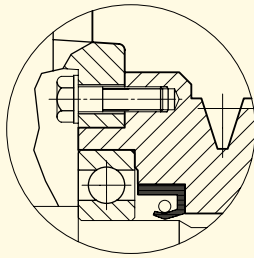
a = INTERNAL ELEMENT b = EXTERNAL ELEMENT + COVER
 b₁ = b + DELAY CHAMBER b₂ = b + DOUBLE DELAY CHAMBER
 c = FLEXIBLE COUPLING
 d e = HALF FLEXIBLE COUPLING (INTERNAL ELEMENT)
 d₁ e₁ = HALF FLEXIBLE COUPLING (EXTERNAL ELEMENT)
 EXAMPLE: J..CCKCG = a+d (INT. ELEM.) b₂+d₁ (EXT. ELEM.)

DIMENSIONS ARE SUBJECT TO ALTERATION WITHOUT NOTICE

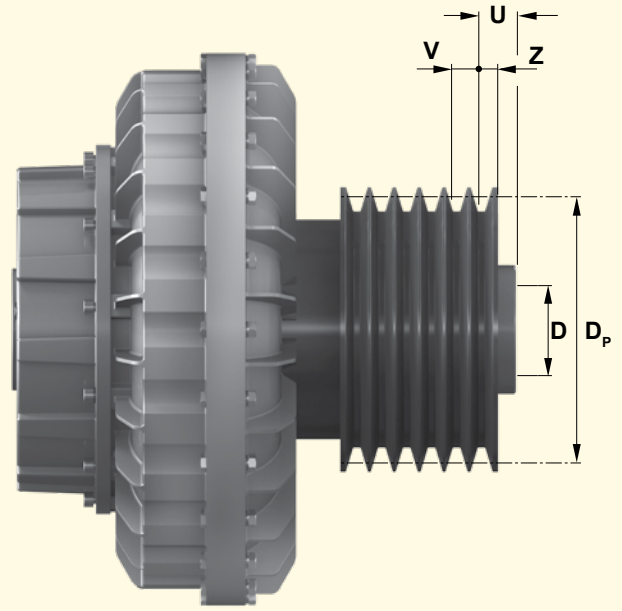
KSI - CKSI - CCKSI



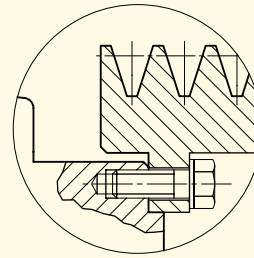
...KSI



KSDF - CKSDF - CCKSDF



...KSDF



⇨ Dimensions

Size	D	U	Flanged pulley	
			Dp	N° type
7	19 - 24	6	125	2 - SPA/A
	28	21	125	
8	19 - 24	36	125	3 - SPA/A
	28	9	112	
9	28 - 38	34	160	4 - SPB/B
11	42	58	200	3 - SPB/B
	12	38 - 42 48	50	180
51			200	3 - SPC/C
26			180	4 - SPC/C
13	42 - 48	50	180	6 - SPB/B
	55 - 60	49	250	5 - SPC/C
15	48 - 55 60 - 65	12.5	200	6 - SPB/B
		17	250	5 - SPC/C
		69	280	5 - SPB/B
		72.5	280	6 - SPB/B
17 19	67 - 75 80	85.5	310	6 - SPC/C
		72.5	315	6 - SPB/B
		59	345	6 - SPC/C
21 24 27	Upon request			

⇨ Dimensions

Size	D	U	Integral pulley	
			Dp	N° type
7	19 - 24	11.5	80	2 - SPA/A
			90	
	100			
	80			
8	28	26.5	90	3 - SPA/A
	19 - 24 28		100	
			10	
9	28 - 38	15	125	4 - SPB/B
11	42	15	125	4 - SPB/B
	12	38 - 42 48	12	140

GROOVE	V	Z
SPZ/Z	12	8
SPA/A	15	10
SPB/B	19	12.5
SPC/C	25.5	17
D	37	24
3 V	10.3	8.7
5 V	17.5	12.7
8 V	28.6	19

– WHEN ORDERING, SPECIFY: SIZE - MODEL - D DIAMETER - Dp - NUMBER AND TYPE OF GROOVES
EXAMPLE: 13 CKSDF - D55 - PULLEY Dp. 250 - 5 SPC/C

DIMENSIONS ARE SUBJECT TO ALTERATION WITHOUT NOTICE

FILLING

SAFETY DEVICES – OPERATION

10. FILLING

Transfluid hydraulic couplings are supplied without oil. Standard filling: X for K series, 2 for CK series, and 3 for CCK series. The quantities are indicated on page 13 and 15 of this catalog. Follow the procedure indicated on Installation and Maintenance manuals 150 GB and 155 GB delivered with each coupling. Suggested oil: **ISO32 HM** for normal operating temperatures. For temperatures down zero, **ISO FD 10 (SAE 5W)** and for temperatures lower than -20°C contact TRANSFLUID.

11. SAFETY DEVICES

FUSIBLE PLUG

In case of overloads, or when slip reaches very high values, oil temperature increases excessively, damaging oil seals and consequently allowing leakage. To avoid damage when used in severe applications, it is advisable to fit a fusible plug. Fluid couplings are supplied with a fusible plug at 140°C (109°C , 120°C or 198°C upon request).

SWITCHING PIN

Oil venting from fusible plug may be avoided with the installation of a switching pin. When the temperature reaches the melting point of the fusible ring element, a pin releases that intercepts a relay cam that can be used for an alarm or stopping the main motor. As for the fusible plug, 2 different fusible rings are available (see page 27).

11.1 SWITCHING PIN DEVICE

This device includes a percussion fusible plug installed on the taper plug. The percussion fusible plug is made of a threaded plug and a pin held by a fusible ring coming out due to the centrifugal force when the foreseen melting temperature is reached. Such increase of temperature can be due to overload, machinery blockage or insufficient oil filling. The pin, moving by approx. 16 mm, intercepts the cam of the switch to operate an alarm or motor trip signal.

After a possible intervention and removal of the producing reason, this device can be easily restored with the replacement of the percussion plug or even the fusible ring following the specific instructions included in the instruction manual.

With external wheel as driver, as indicated in Fig. 5, the percussion plug operates in any condition, while in case of driven external wheel it can operate correctly only in case of increase of the slip due to overload or excessive absorption.

It is possible to install this system on all fluid couplings starting from size 13K even in case it has not been included as initial supply, asking for a kit including percussion fusible plug, gasket, modified taper plug, counterweight for balancing, glue, lever switch assembly installation instructions.

In order to increase the safety of the fluid coupling a standard fusible plug is always installed, set at a temperature greater than that of the percussion fusible plug.

For a correct operation, please refer to the instructions relevant to the standard or reverse installation described at page 6.

- Lever switch standard supply 230 Vac
- Upon request: Atex version
- Switching pin available: see below tab

	MELTING TEMPERATURE $+10^{\circ}\text{C}$ 0		
	109°C	SPEC.	GA1004D
	120°C	SPEC.	GA1004A
	140°C	SPEC.	GA1004B

ELECTRONIC OVERLOAD CONTROLLER

This device consists of a proximity sensors measuring the speed variation between the input and output of the fluid coupling and giving an alarm signal or stopping the motor in case the set threshold is overcome.

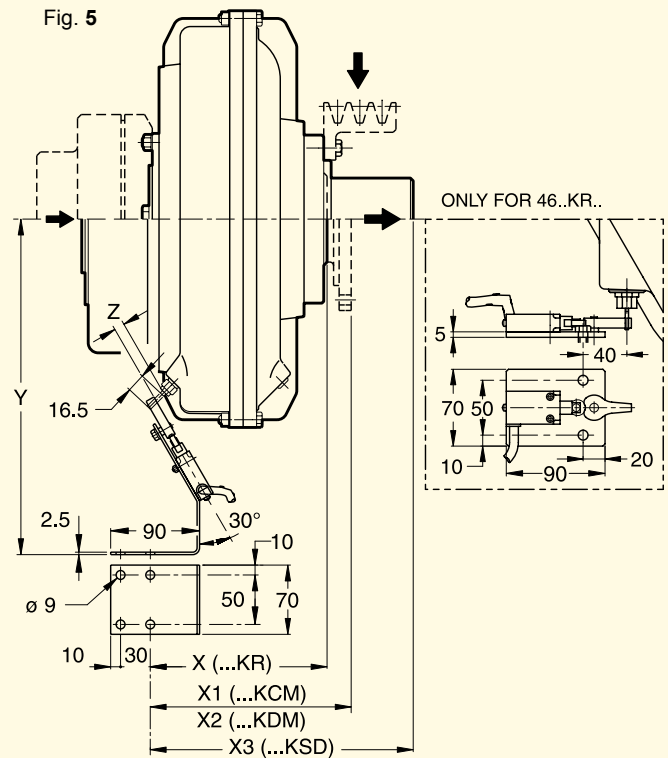
With such a device, as well as with the infrared temperature controller, no further maintenance or repair intervention is necessary after the overload occurrence, because the machinery can operate normally, once the cause of the inconvenience has been removed (see page 28).

INFRARED TEMPERATURE CONTROLLER

To measure the operating temperature, a device fitted with an infrared sensor is available. After conveniently positioning it by the fluid coupling, it allows a very precise non-contact temperature measurement.

Temperature values are reported on a display that also allows the setting of 2 alarm thresholds, that can be used by the customer (see page 29).

Fig. 5



DIM.	X	X ₁	X ₂	X ₃ Ø		Y	Z
7	115	128	-	148	24	262	-
8	124	137	-	163	28	272	-
9	143	166.5	156	187	228	287.5	-
11***	150	173.5	163	236	300.5	-	-
12	157	183.5	173	258	323	15	-
13	174	195.5	187	336	335	16	-
15	197	220	214	357	358	16	-
17	217	244	235	425	382	12	-
19	209	232	227	417	400.5	9	-
21	257	282	277	472	423	8	-
24	257	282	277	472	460	4	-
27	271.5	331	295.5	-	491	9	-
29	296.5	356	322	-	524	8	-
34	346	404	369	-	584	4	-

- For Dia. 100 + 35 mm
 - For Dia. 100 + 40 mm
 - Only for K.. (CK.. upon request)
- REFERENCE DIMENSIONS

DIMENSIONS ARE SUBJECT TO ALTERATION WITHOUT NOTICE

11.2 OVERLOAD CONTROLLER (Fig. 6)

When load torque increases, slip also increases and output speed consequently decreases.

The said speed variation can be measured by means of a sensor sending a pulse train to the speed controller. If the rotating speed goes lower than the set threshold (see diagram) on the controller, a signal is given through the intervention of the inner relay.

The device has a "TC" timer with a blind time before starting (1 - 120 s) avoiding the alarm intervention during the starting phase, and another "T" timer (1 - 30 s) preventing from undesired relay intervention during sudden changes of torque.

The device also provides a speed proportional analogic output signal (0 - 10 V), that can be forwarded to a display or a signal transducer (4 - 20 mA).

Standard supply is 230 V ac, other supplies are available upon request: 115 V ac, 24 V ac or 24 V dc, to be specified with the order.

Atex version is available too.

CONTROLLER PANEL (Fig. 7)

(TC) Blind time for starting

Set screw regulation up to 120 s

(DS) Speed range regulation

Programmable DIP-SWITCH (5 positions), selecting relay status, proximity type, reset system, acceleration or deceleration.

Programming speed Dip-Switch with 8 positions allows to choose the most suitable speed range, according to the application being performed.

(SV) Speed level (set point)

Set screw regulation with digits from 0 to 10. The value 10 corresponds to full range set with Dip-Switch.

(R) Reset

Local manual reset is possible through R button, or remote reset by connecting a N.O. contact at pins 2-13.

(SS) Threshold overtaking

(RED LED) It lights up every time that the set threshold (set point) is overtaken.

(A) Alarm led

(RED LED) It lights up when alarm is ON and the inner relay is closed.

(E) Enable

(YELLOW LED) It lights up when the device is enabled.

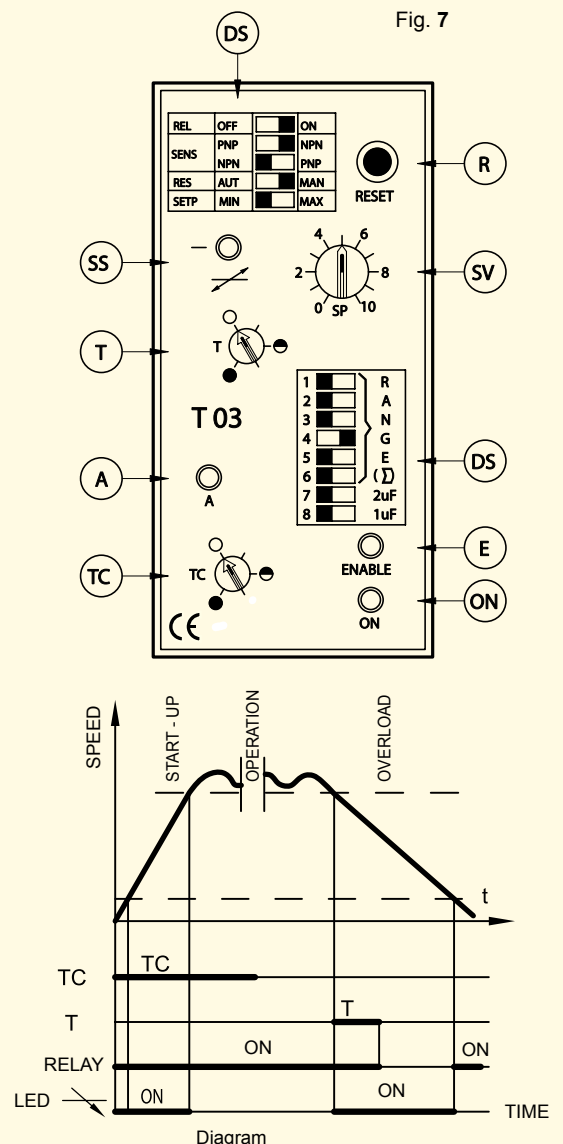
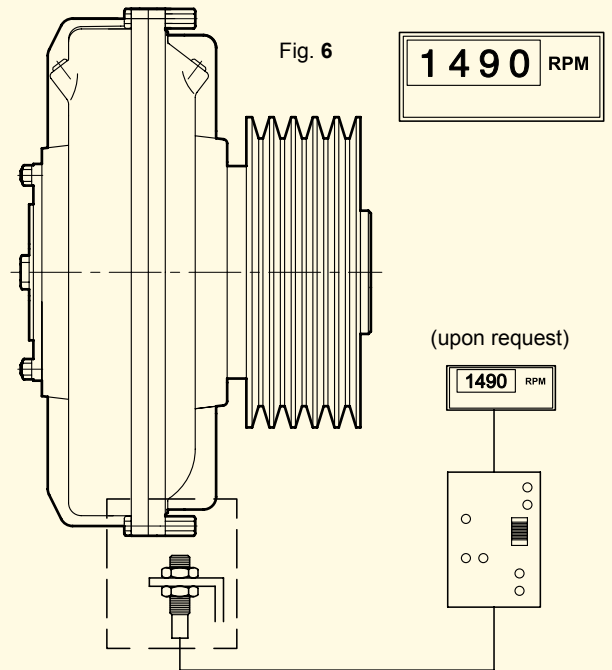
(T) Delay time

Set screw regulation up to 30 s.

(ON) Supply

(GREEN LED) It shows that the device is electrically supplied.

FOR FURTHER DETAILS, ASK FOR TF 5800-A.



SAFETY DEVICES OPERATION

11.3 INFRARED TEMPERATURE CONTROLLER

This is a non contact system used to check fluid coupling temperature. It is reliable and easily mounted. It has 2 adjustable thresholds with one logical alarm and one relay alarm.

The proximity sensor must be positioned near the fluid coupling outer impeller or cover, according to one of the layouts shown in Fig. 8.

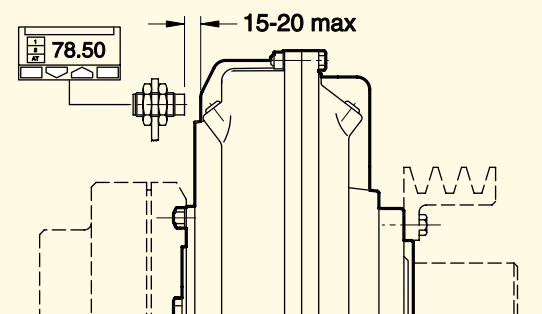
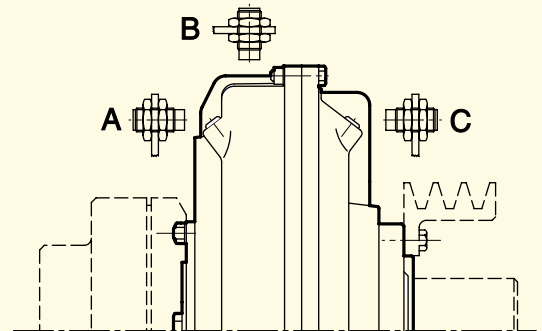
It is advised to place it in the **A** or **C** positions, as the air flow generated by the fluid coupling, during rotation, helps removal dirt particles that may lay on the sensor lens.

The distance between the sensor and the fluid coupling must be about 15-20 mm (cooling fins do not disturb the correct operation of the sensor).

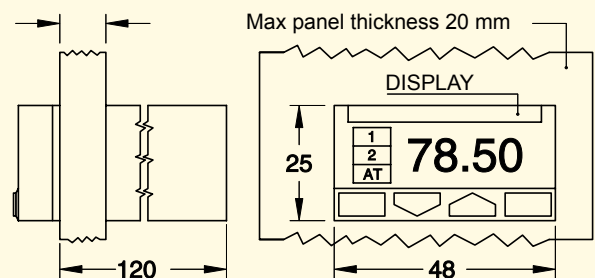
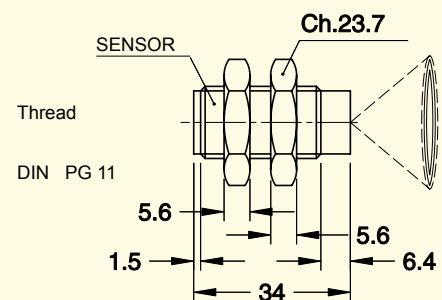
To avoid that the bright surface of the fluid coupling reflects light, and thus compromises a correct temperature reading, it is necessary to paint the surface, directly facing the sensor with a flat black colour (a stripe of 6-7 cm is sufficient).

The sensor cable has a standard length of 90 cm. If required, a longer one may be used only if plaited and shielded as per type "K" thermocouples.

Fig. 8



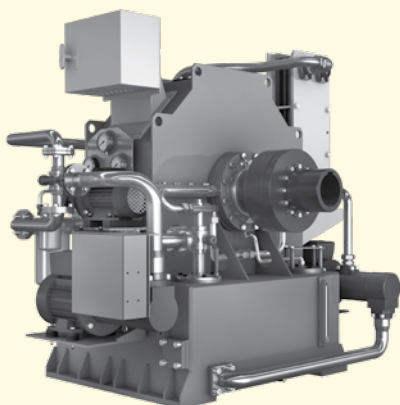
SENSOR	
Temperature range	0 ÷ 200 °C
Ambient temperature	- 18 ÷ 70 °C
Accuracy	0.0001 °C
Dimensions	32.5 x 20 mm
Standard wire lenght •	0.9 m
Body	ABS
Protection	IP 65
CONTROLLER	
Power supply	85...264 Vac / 48...63 Hz
Relay output OP1	No (2A - 250 V)
Logical output OP2	Not insulated
(5Vdc, ±10%, 30 mA max)	
AL1 alarm (display)	Logic (OP2)
AL2 alarm (display)	Relay (OP1) (NO, 2A / 250Vac)
Pins protection	IP 20
Body protection	IP 30
Display protection	IP 65
Dimensions	1/32 DIN – 48x24x120 mm
Weight	100 gr



• TO BE MADE LONGER WITH TWISTED AND SHIELDED WIRES FOR TYPE K THERMOCOUPLES (NOT SUPPLIED)

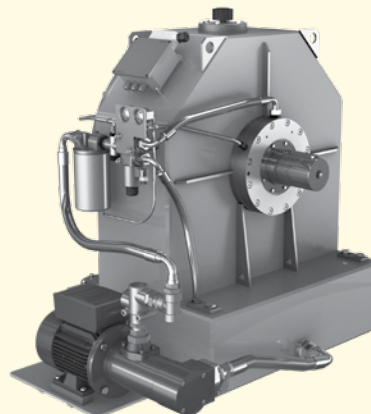
**FLUID COUPLING
KSL SERIES**

Start up and variable
speed drive up to 4000 kW



**FLUID COUPLING
KPT SERIES**

Start up and variable
speed drive up to 1700 kW



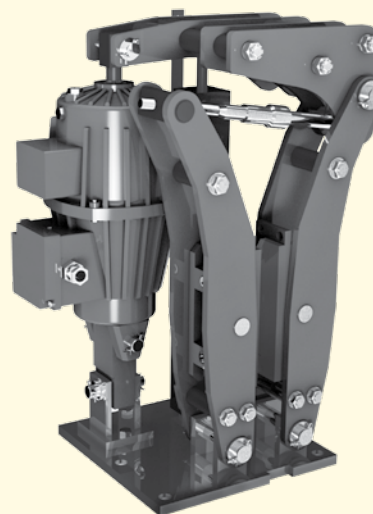
**FLEXIBLE COUPLING
BM-B3M SERIES**

Up to 33100 Nm



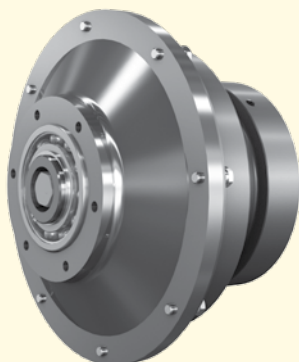
**DISC & DRUM BRAKE
NBG/TFDS SERIES**

Up to 19000 Nm



**PNEUMATIC CLUTCH
TP SERIES**

Up to 16800 Nm













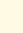









**ELECTRIC MACHINES
PERMANENT MAGNETS
SYNCHRONOUS AC**



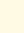




Up to 100 kW



EUROPE

-  **AUSTRIA**
ASC GMBH
4470 Enns
-  **BELGIUM - LUXEMBURG**
TRANSFLUID FRANCE s.a.r.l.
38110 Rochetoirin
Ph. +33 9 75635310
Fax +33 4 26007959
tffrance@transfluid.it
-  **CZECH REPUBLIC**
TESPO ENGINEERING s.r.o.
602 00 Brno
-  **DENMARK (Electric appl.)**
JENS S. TRANSMISSIONER A/S
DK 2635 ISHØJ
-  **ENGLAND & IRELAND**
MARINE AND INDUSTRIAL TRANS. LTD.
Queenborough Kent me11 5ee
-  **FINLAND (Electric appl.)**
OY JENS S. AB
02271 Espoo
-  **FINLAND (Diesel appl.)**
TRANS-AUTO AB
151 48 Södertälje
-  **FRANCE**
TRANSFLUID FRANCE s.a.r.l.
38110 Rochetoirin
Ph. +33 9 75635310
Fax +33 4 26007959
tffrance@transfluid.it
-  **GERMANY**
TRANSFLUID GERMANY GmbH
D-48529 Nordhorn
Ph. +49 5921 7288808
Fax +49 5921 7288809
tfgermany@transfluid.it
-  **NORWAY (Diesel appl.)**
K GK Norge AS
0664 Oslo
-  **POLAND**
SENOMA LTD
PL40-153 Katowice
-  **PORTUGAL**
REDVARIO LDA
2735-469 Cacem
-  **RUSSIA - BELARUS - KAZAKHSTAN**
-  **UKRAINE**
TRANSFLUID OOO
143100 Moscow
Ph. +7 495 7782042
Mob. +7 926 8167357
tfrussia@transfluid.it
-  **SLOVENIA**
VIA INTERNATIONAL d.o.o.
1241 Kamnik
-  **SPAIN**
TECNOTRANS BONFIGLIOLI S.A.
08040 Barcelona
-  **SWEDEN (Electric appl.)**
JENS S. TRANSMISSIONER AB
SE-601-19 Norrköping
-  **SWEDEN (Diesel appl.)**
TRANS-AUTO
SE 151-48 Sodertälje
-  **NETHERLANDS**
TRANSFLUID GERMANY GmbH
D-48529 Nordhorn
Ph. +49 5921 7288808
Fax +49 5921 7288809
tfgermany@transfluid.it
-  **TURKEY**
REMAS
81700 Tuzla Istanbul


AMERICA




-  **ARGENTINA**
ACOTEC S.A.
Villa Adelina - Buenos Aires
-  **BRAZIL**
TRANSFLUID DO BRASIL
05014-060 Sao Paulo SP
Ph. +55 11 48235308
Fax +55 11 48235308
tfbrazil@transfluid.it
-  **CHILE**
SCEM LTDA
04461-050 Sao Paulo SP
-  **CHILE**
SCEM LTDA
Santiago Do Chile
-  **COLUMBIA**
A.G.P. REPRESENTACIONES LTDA
77158 Bogotá
-  **PERU'**
SCEM LTDA SUC. PERU
Lima 18
-  **U.S.A. - CANADA - MEXICO**
TRANSFLUID LLC
Auburn, GA30011
Ph. +1 770 822 1777
Fax +1 770 822 1774
tfusa@transfluid.it

AFRICA

-  **ALGERIA - CAMEROUN - GUINEA**
-  **MOROCCO - MAURITANIA**
-  **SENEGAL - TUNISIA**
TRANSFLUID FRANCE s.a.r.l.
38110 Rochetoirin (France)
Ph. +33 9 75635310
Fax +33 4 26007959
tffrance@transfluid.it
-  **EGYPT**
INTERN.FOR TRADING & AGENCY (ITACO)
Nasr City (Cairo)
-  **SOUTH AFRICA**
SUB SAHARAN COUNTRIES
BMG BEARING MAN GROUP
Johannesburg

ASIA

-  **ASIA South East**
ATRAN TRANSMISSION PTE LTD
Singapore 608 579
-  **CHINA**
TRANSFLUID BEIJING TRADE CO. LTD
101300 Beijing
Ph. +86 10 60442301-2
Fax +86 10 60442305
tbtinfo@sina.com
-  **INDIA**
PROTOS ENGINEERING CO. PRIVATE LTD
600002 Tamilnadu Chennai
-  **INDONESIA**
PT. HIMALAYA EVEREST JAYA
Barat Jakarta 11710
-  **IRAN**
LEBON CO.
Tehran 15166
-  **IRAN (Oil & Gas appl.)**
EVANPALA Inc
Tehran 1433643115
-  **ISRAEL**
ELRAM ENGINEERING &
ADVANCED TECHNOLOGIES 1992 LTD
Emek Hefer 38800
-  **JAPAN**
ASAHI SEIKO CO. LTD.
Osaka 593
-  **KOREA**
KIWON CORP.
Pusan - South Korea
-  **TAIWAN**
FAIR POWER TECHNOLOGIES CO.LTD
105 Taipei
-  **THAILAND**
SYSTEM CORP. LTD.
Bangkok 10140
-  **UAE - SAUDI ARABIA - KUWAIT - OMAN**
BAHRAIN - YEMEN - QATAR
NICO INTERNATIONAL U.A.E.
Dubai

-  **TRANSFLUID SUBSIDIARIES**
-  **REPRESENTATIVE OFFICE**
-  **SERVICE CENTER**

Global web site: www.transfluid.eu

E-commerce web site: www.buy-transfluid.com

LOCAL DISTRIBUTOR