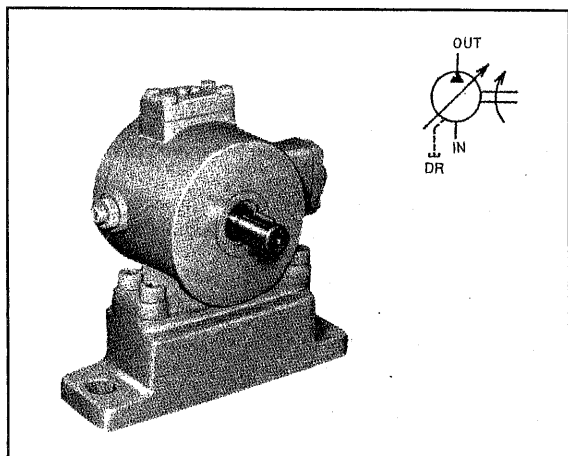


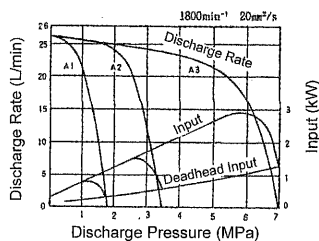
VARIABLE-DISPLACEMENT VANE PUMP (HVP-VC1 SERIES)



FEATURES

- The pump provides a pressure and fluid flow appropriate for the load to save power and reduce fluid temperature rise, thus ensuring economical operation.
 - Since the pump is equipped with a pressure compensation mechanism, components such as a relief valve and unloading valve are not necessary.
- The standard direction of rotation is clockwise, viewed from the shaft end.
 - The pump can be used for R&O type and abrasion-resistant type hydraulic fluid applications.
 - The permissible fluid temperature is as below:
Equivalent to ISO VG32: 0 to 60°C (350 to 15 mm²/sec)
Equivalent to ISO VG46: 6 to 65°C (350 to 18 mm²/sec)
 - The permissible drain back pressure is 0.03 MPa max.
 - The standard pump can be used for water-glycol fluid. In this case, the maximum speed is 1,200 min⁻¹. Please consult us about the applicable brand of water-glycol fluid.
 - The permissible operating ambient temperature range is from 0 to 60°C.

GENERAL PERFORMANCE CHARACTERISTICS



HVP-VC1-F26A1-B-026

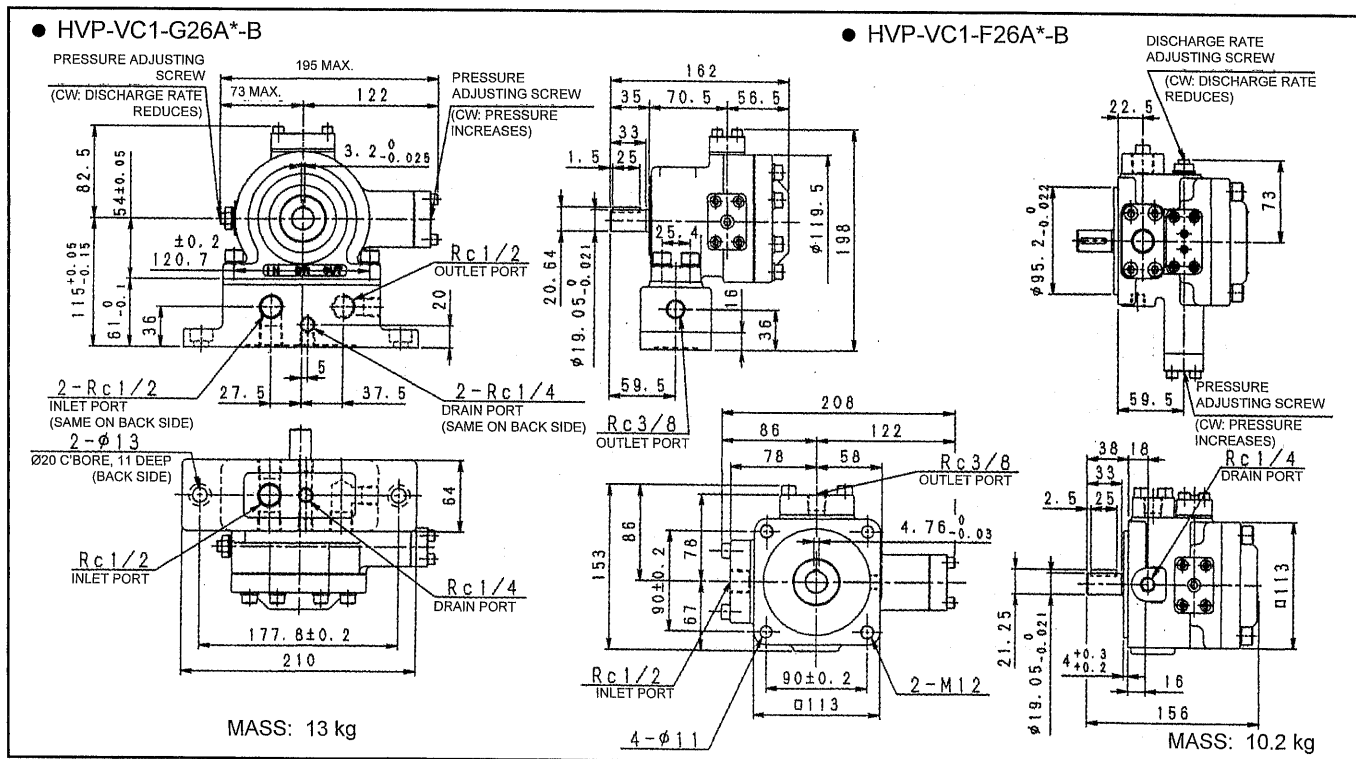
USED WITH MOBIL VACUOLINE OIL 140P WHICH IS EQUIVALENT TO VG68.

* DRAIN VOLUME IS ADJUSTED FOR 3~4 L/min AT DEADHEAD PRESSURE OF 1.2 MPa.

SPECIFICATIONS

Model		Rated Pressure (MPa)	Discharge Rate at No-load (L/min)		Pressure Adjustment Range (MPa)	Speed (min ⁻¹)		
Gasket Type	Flange Type		1,200 min ⁻¹	At Rated Speed		Rating	Max.	Min.
HVP-VC1-G26A1-B	HVP-VC1-F26A1-B	7	17	26	0.8 to 1.8	1,800	1,800	750
HVP-VC1-G26A2-B	HVP-VC1-F26A2-B				1.4 to 3.5			
HVP-VC1-G26A3-B	HVP-VC1-F26A3-B				3 to 7			

EXTERNAL DIMENSIONS



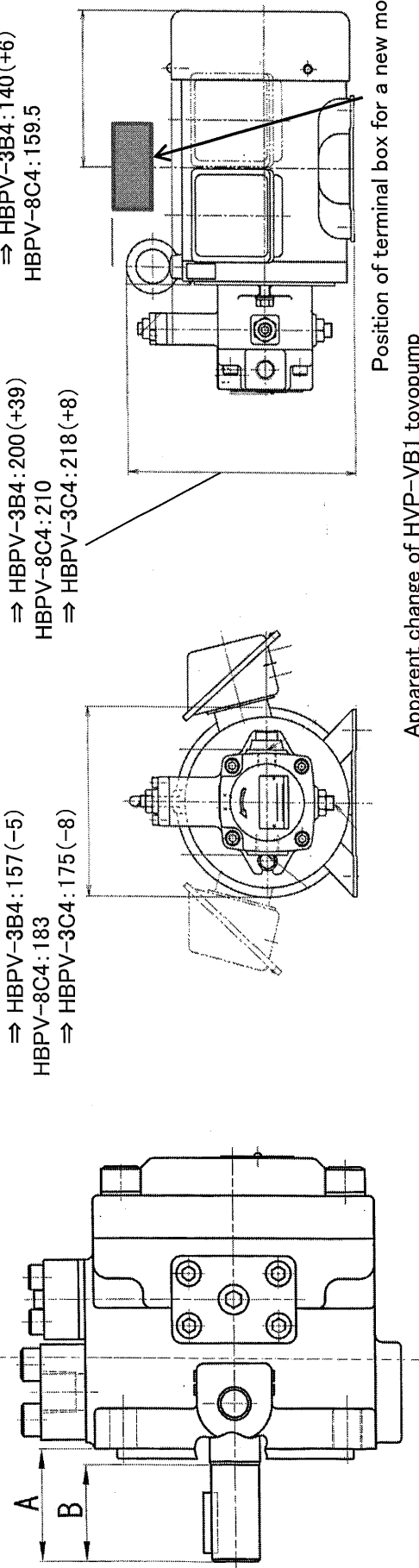
■ VANE PUMP & TOYOPUMP VB1 TYPE - MODEL CHANGE

※: Model code (ending part) for VB1 toyopump is the same with VB1 pump(-B → -C)

OLD MODEL	NEW MODEL	POINT OF CHANGE		REMARK
		A (mm)	B (mm)	
		MOUNTING SURFACE—SHAFT END	SHAFT END—SHAFT GAP	
HVP-FA1-※※※-A	HVP-FA1-※※※-A	NO CHANGE	NO CHANGE	—
HVP-QA1-※※※-11-B	HVP-QA1-※※※-11-B	NO CHANGE	NO CHANGE	—
HVP-FC1-※※※-A-(G)	HVP-FC1-※※※-B-(G)	NO CHANGE	48 ⇒ 48.5	(+0.5)
HVP-VB1-※ ¹⁸ ※※-B-(G)	HVP-VB1-※ ¹⁸ ※※-C-(G)	NO CHANGE	32.5 ⇒ 35.5	(+3)
HVP-VC1-※ ²⁶ ※※-B-(G)	HVP-VC1-※ ²⁶ ※※-C-(G)	38 ⇒ 43.5	33 ⇒ 38.5	(+5.5)
HVP-VD1-※45※※-B-(G)	HVP-VD1-※45※※-C-(G)	NO CHANGE	52 ⇒ 52.5	(+0.5)
HVP-VCC1-※26-26A※※-A※-B	HVP-VCC1-※26-26A※※-A※-C	38 ⇒ 43.5	33 ⇒ 38.5	(+5.5)
HVP-VCD1-※26-45A※※-A※-B	HVP-VCD1-※26-45A※※-A※-C	NO CHANGE	52 ⇒ 52.5	(+0.5)
HVP-VDD1-※45-45A※※-A※-B	HVP-VDD1-※45-45A※※-A※-C	NO CHANGE	52 ⇒ 52.5	(+0.5)

HBPV-8B4: 161
 ⇒ HBPV-3B4: 200 (+39)
 HBPV-8C4: 210
 ⇒ HBPV-3C4: 218 (+8)

HBPV-8B4: 134
 ⇒ HBPV-3B4: 140 (+6)
 HBPV-8C4: 159.5



Position of terminal box for a new model
 Apparent change of HVP-VB1 toyopump